



US00D957589S

(12) **United States Design Patent**  
**Charles et al.**

(10) **Patent No.:** **US D957,589 S**  
(45) **Date of Patent:** **\*\* \*Jul. 12, 2022**

(54) **CONNECTOR FOR A SANITIZING MACHINE**

(71) Applicant: **SoClean, Inc.**, Peterborough, NH (US)

(72) Inventors: **Robert A. Charles**, New Boston, NH (US); **Ma Kin Keung**, Guangdong (CN); **Chen Jian Hua**, Guangdong (CN)

(73) Assignee: **SOCLEAN, INC.**, Peterborough, NH (US)

(\*) Notice: This patent is subject to a terminal disclaimer.

(\*\*) Term: **15 Years**

(21) Appl. No.: **29/725,723**

(22) Filed: **Feb. 26, 2020**

(51) **LOC (13) Cl.** ..... **23-01**

(52) **U.S. Cl.**  
USPC ..... **D23/259**; D24/129

(58) **Field of Classification Search**  
USPC ..... D23/233, 249, 259, 262, 303, 363, 386, D23/365; D24/108, 110, 110.5–110.6, D24/127, 129, 217, 110.4, 112; 128/207.12–207.13, 207.16, 207.18; 285/319, 7, 9.2, 82, 93, 148.19, 285/148.21–148.2; D32/25; D8/382  
CPC ..... A61L 2209/134; F16L 2201/10  
See application file for complete search history.

(56) **References Cited**

**U.S. PATENT DOCUMENTS**

3,172,406 A \* 3/1965 Bird ..... A61M 11/002  
128/200.21  
5,392,775 A \* 2/1995 Adkins, Jr. .... A61F 2/20  
128/207.14  
5,806,515 A \* 9/1998 Bare ..... A61F 2/203  
128/207.15  
8,770,198 B2 7/2014 Yee et al.

D731,049 S \* 6/2015 Winter ..... D24/110  
9,974,917 B2 \* 5/2018 Bafle ..... A61M 16/0875  
D856,510 S \* 8/2019 Scheirlinck ..... D24/110.4  
D876,617 S \* 2/2020 Scheirlinck ..... D24/110.4  
2004/0182397 A1 \* 9/2004 Wood ..... A61M 16/0666  
128/206.11  
2009/0260629 A1 \* 10/2009 Yee ..... A61M 16/127  
128/204.18

(Continued)

**OTHER PUBLICATIONS**

Resmed, VPAP III ST-A with QuickNav, Clinical Guide, 2008, 52 pages.

(Continued)

*Primary Examiner* — Amy C Wierenga  
(74) *Attorney, Agent, or Firm* — Grossman, Tucker, Perreault & Pfleger, PLLC

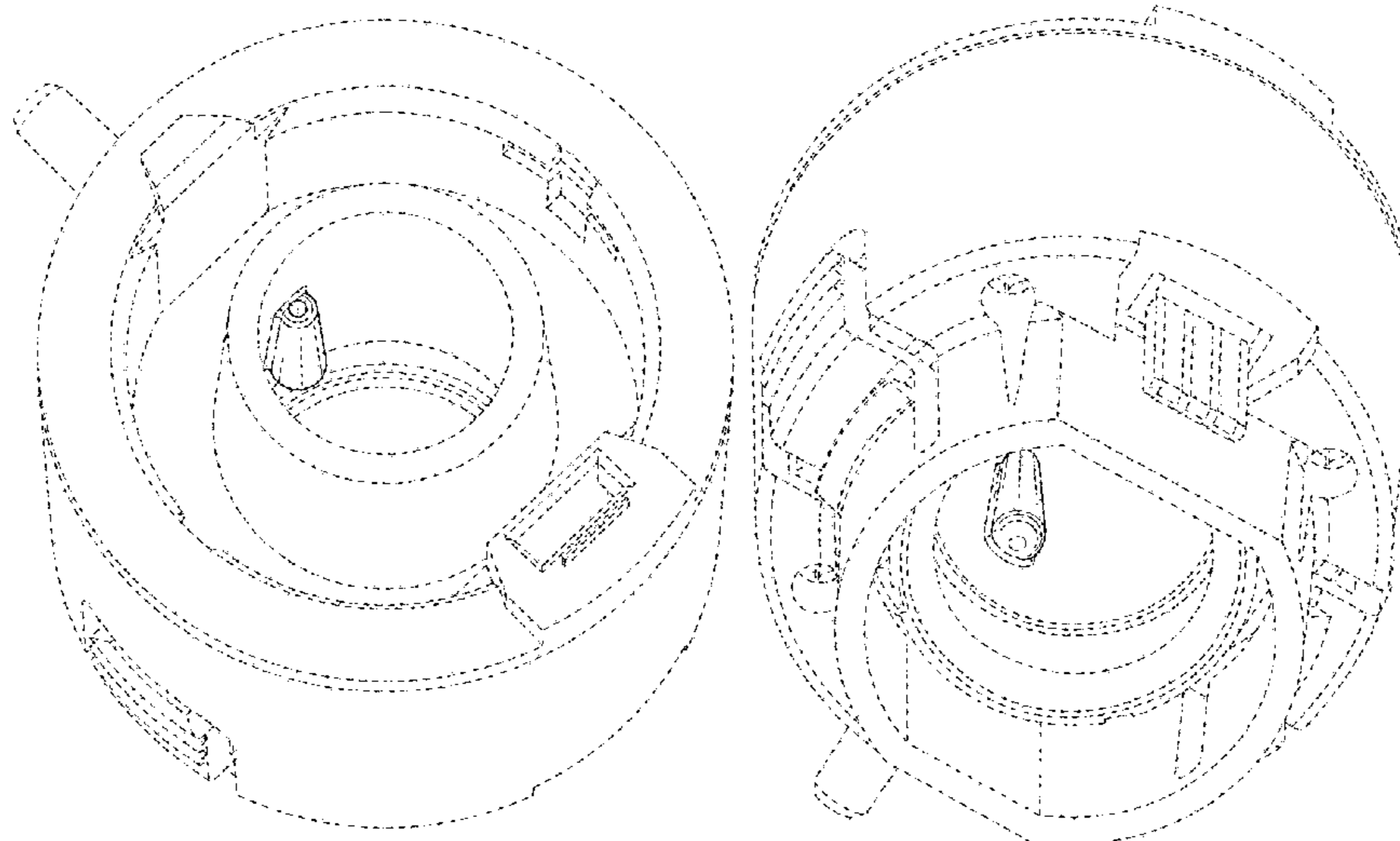
(57) **CLAIM**

The ornamental design for a connector for a sanitizing machine, as shown and described.

**DESCRIPTION**

FIG. 1 is a bottom view of a connector for a sanitizing machine, showing the new design; FIG. 2 is a top view thereof; FIG. 3 is a right top perspective view thereof; FIG. 4 is a right bottom perspective view thereof; FIG. 5 is a front top perspective view thereof; FIG. 6 is a front top right perspective view thereof; FIG. 7 is a rear top left perspective view thereof; FIG. 8 is a front bottom perspective view thereof; FIG. 9 is a front bottom left perspective view thereof; and, FIG. 10 is a rear bottom right perspective view thereof. Broken lines in the figures show portions of the connector for a sanitizing machine that form no part of the claimed design.

**1 Claim, 5 Drawing Sheets**



(56)

**References Cited**

U.S. PATENT DOCUMENTS

2014/0338669 A1\* 11/2014 Zhao ..... A61M 16/085  
128/204.18  
2015/0320962 A1\* 11/2015 Bafle ..... A61M 16/0638  
128/204.18  
2016/0082218 A1\* 3/2016 Lau ..... A61M 16/0672  
128/202.27  
2019/0321617 A1\* 10/2019 Gulliver ..... A61M 39/1011

OTHER PUBLICATIONS

Resmed LTD, VPAP™ IV and VPAP IV™ ST, Product Training,  
Jun. 2008, 27 pages.  
Design U.S. Appl. No. 29/725,720, filed Feb. 26, 2020.

\* cited by examiner

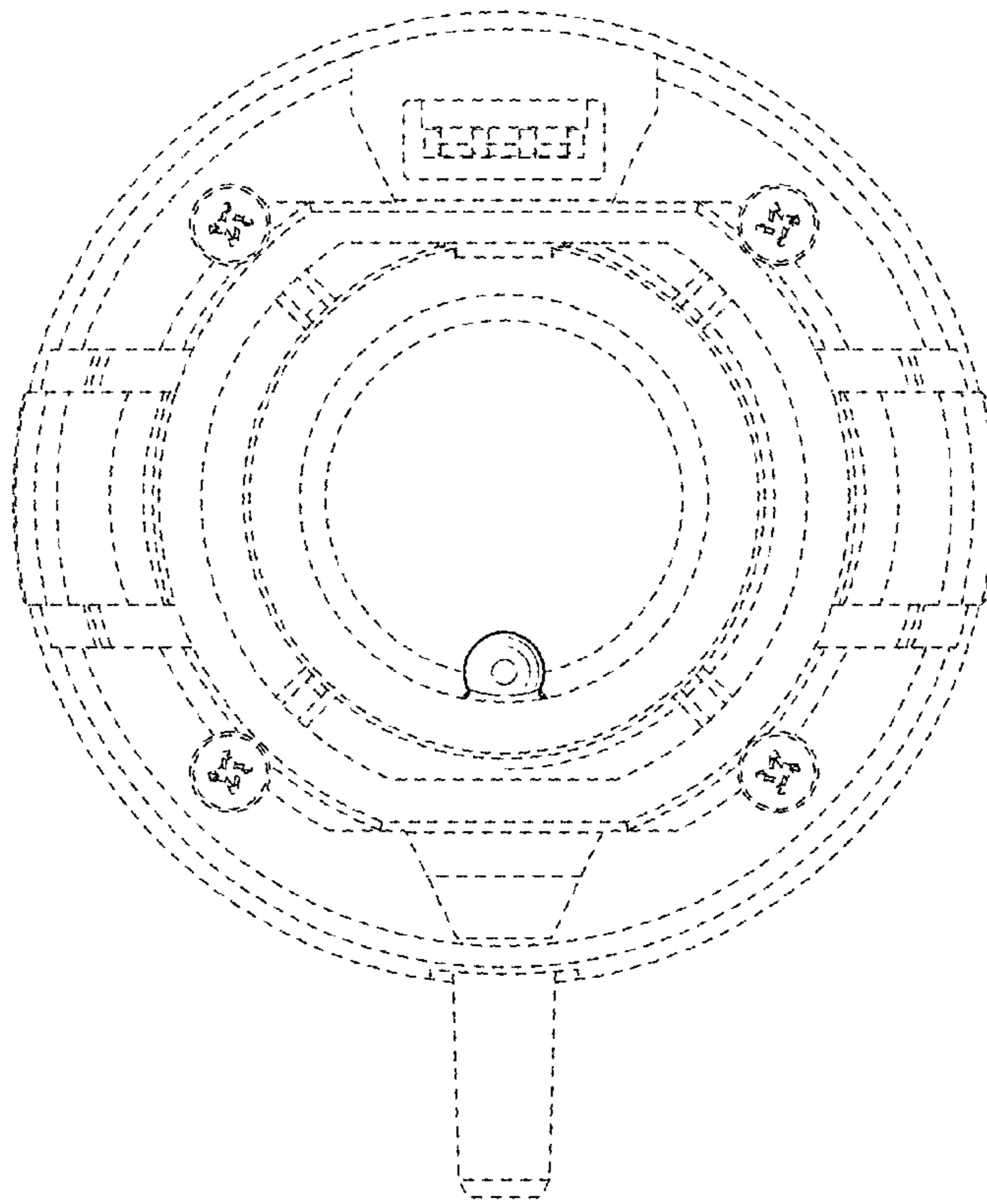


FIG. 1

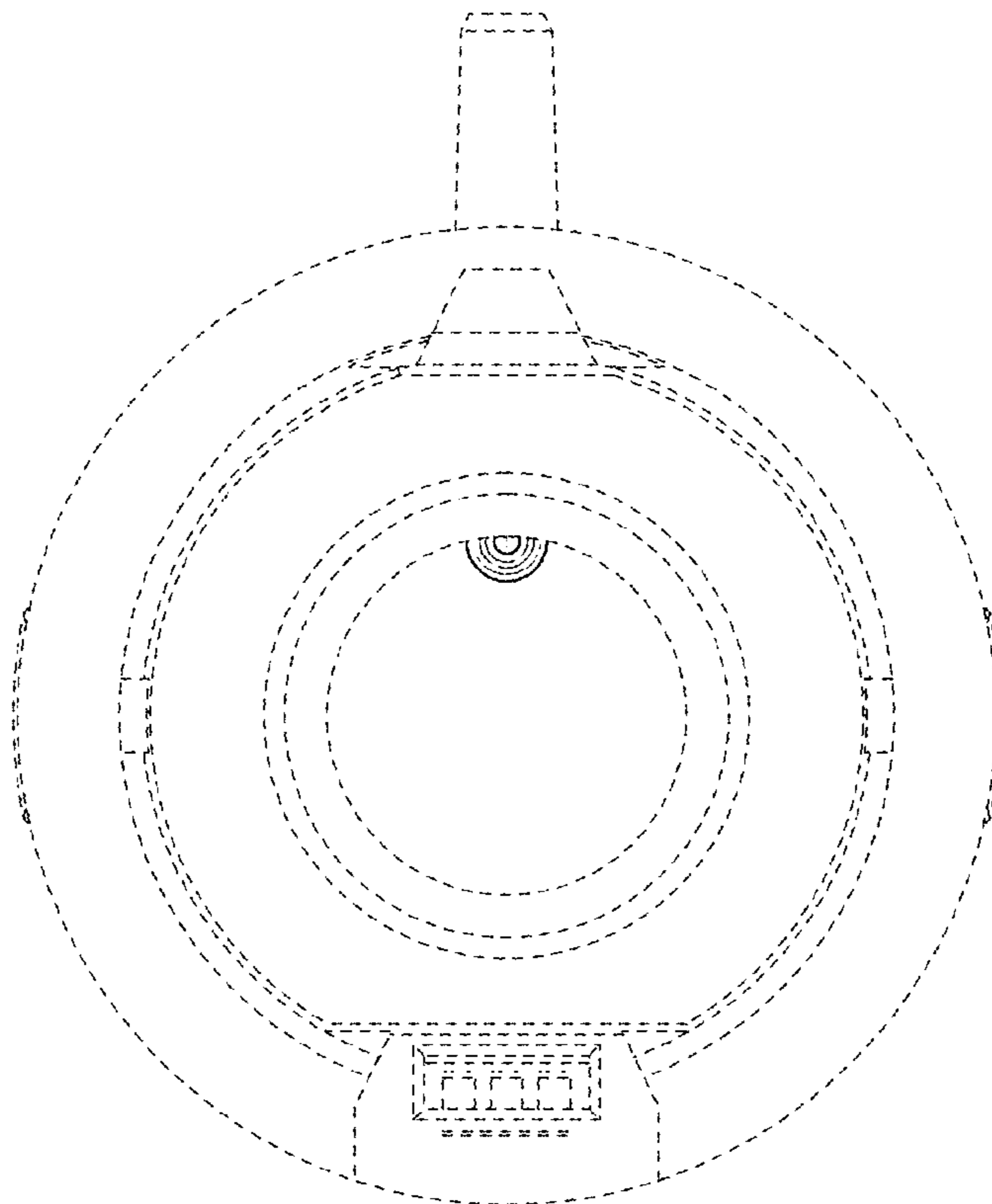


FIG. 2

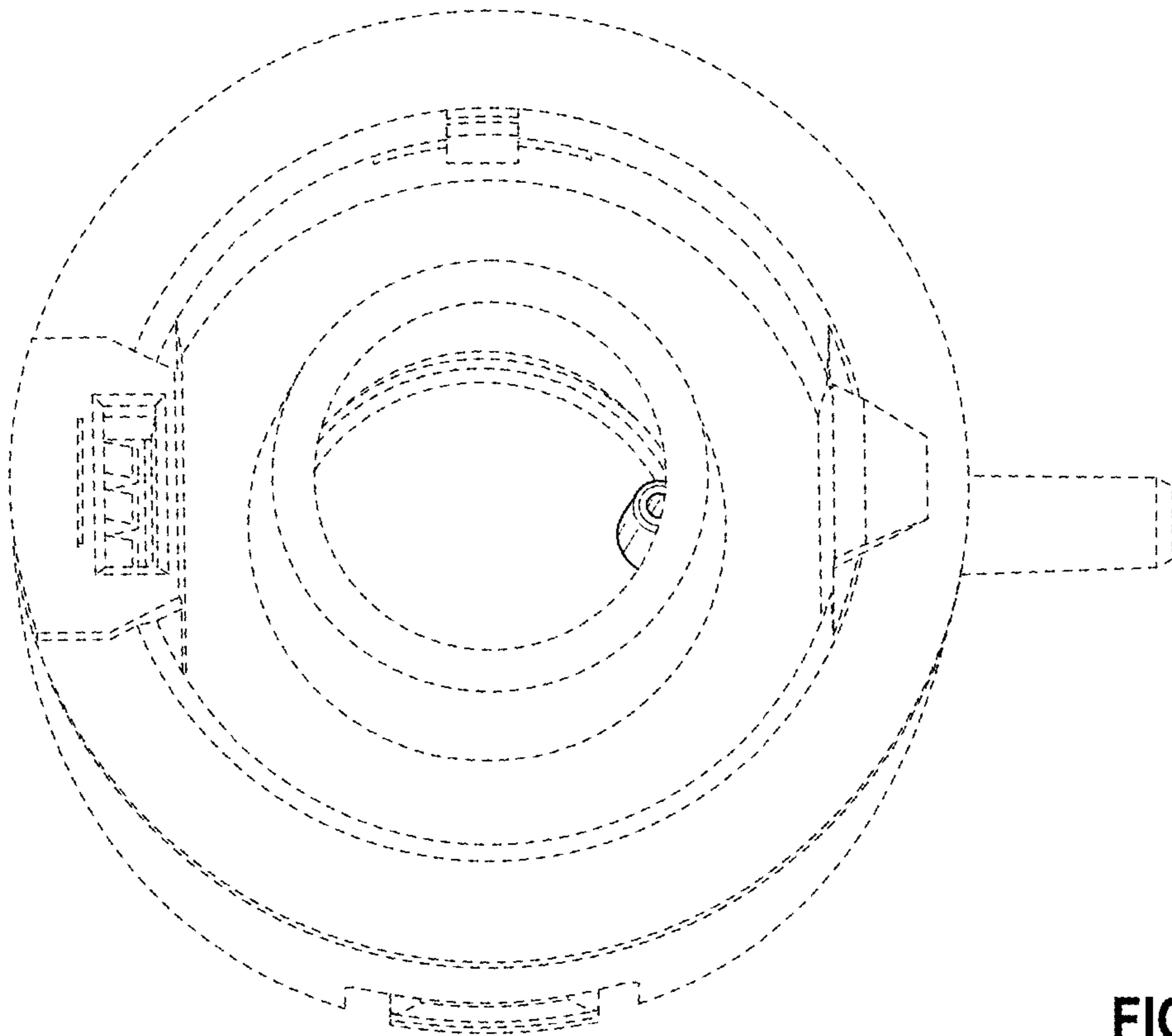


FIG. 3

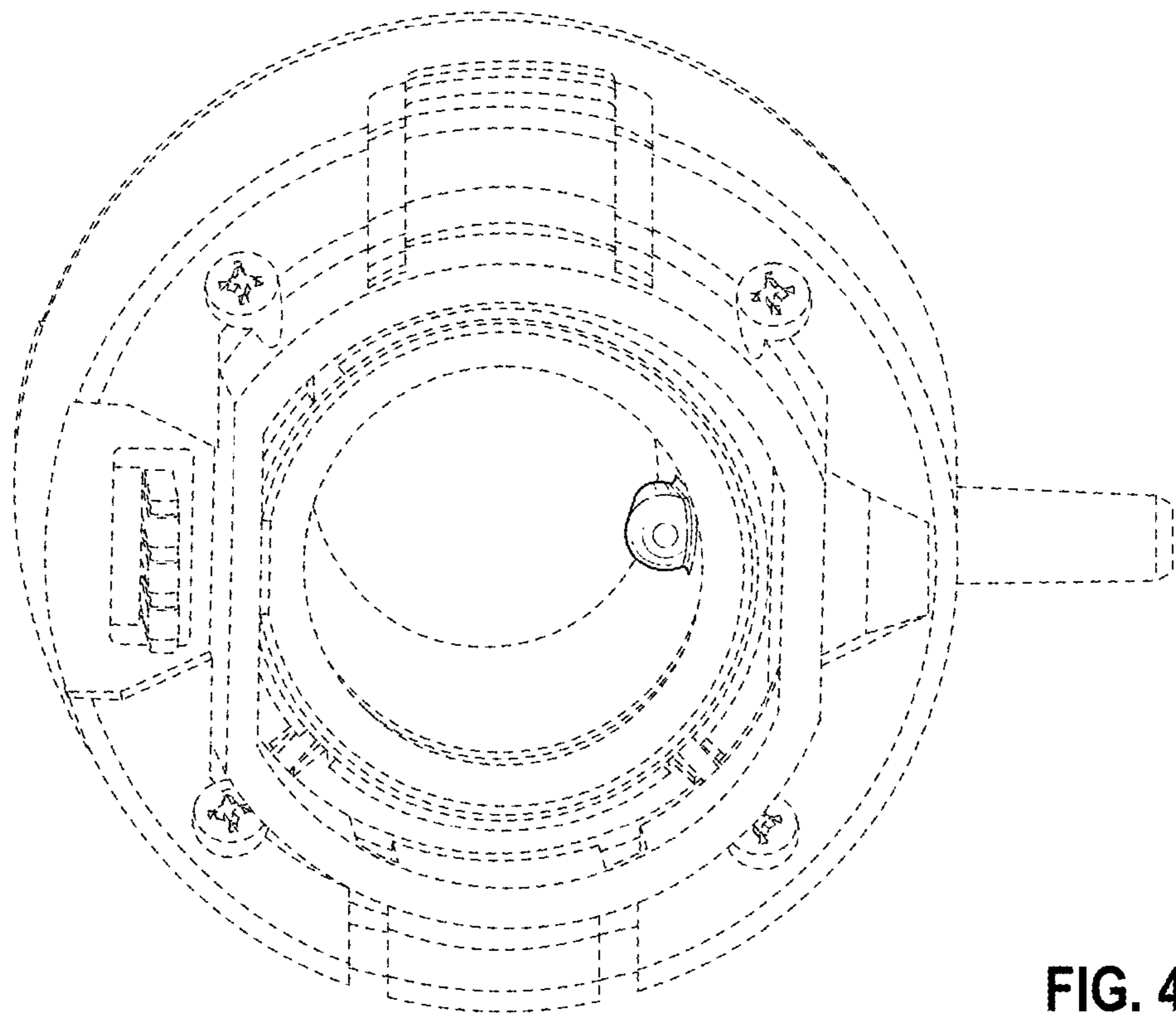


FIG. 4

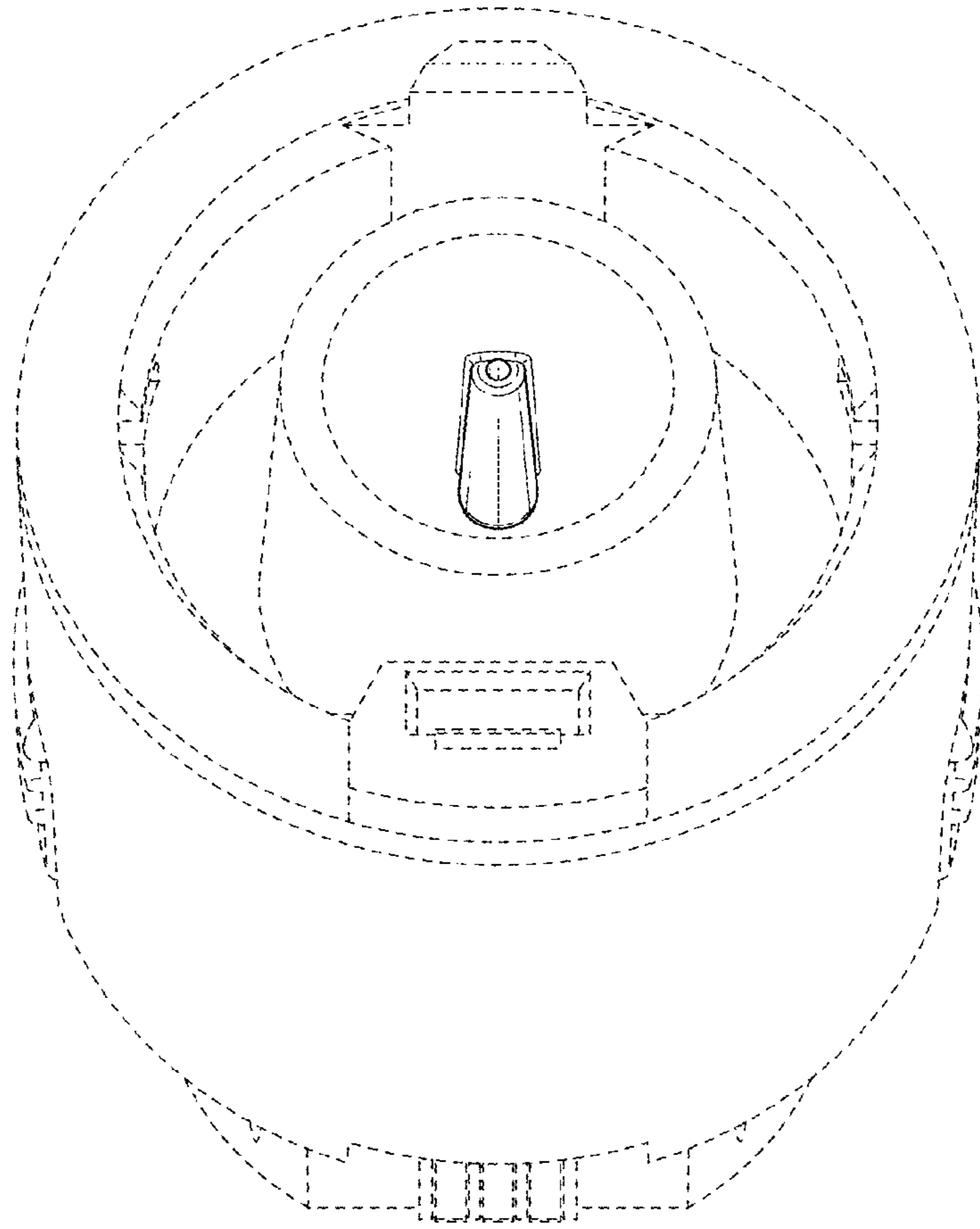


FIG. 5

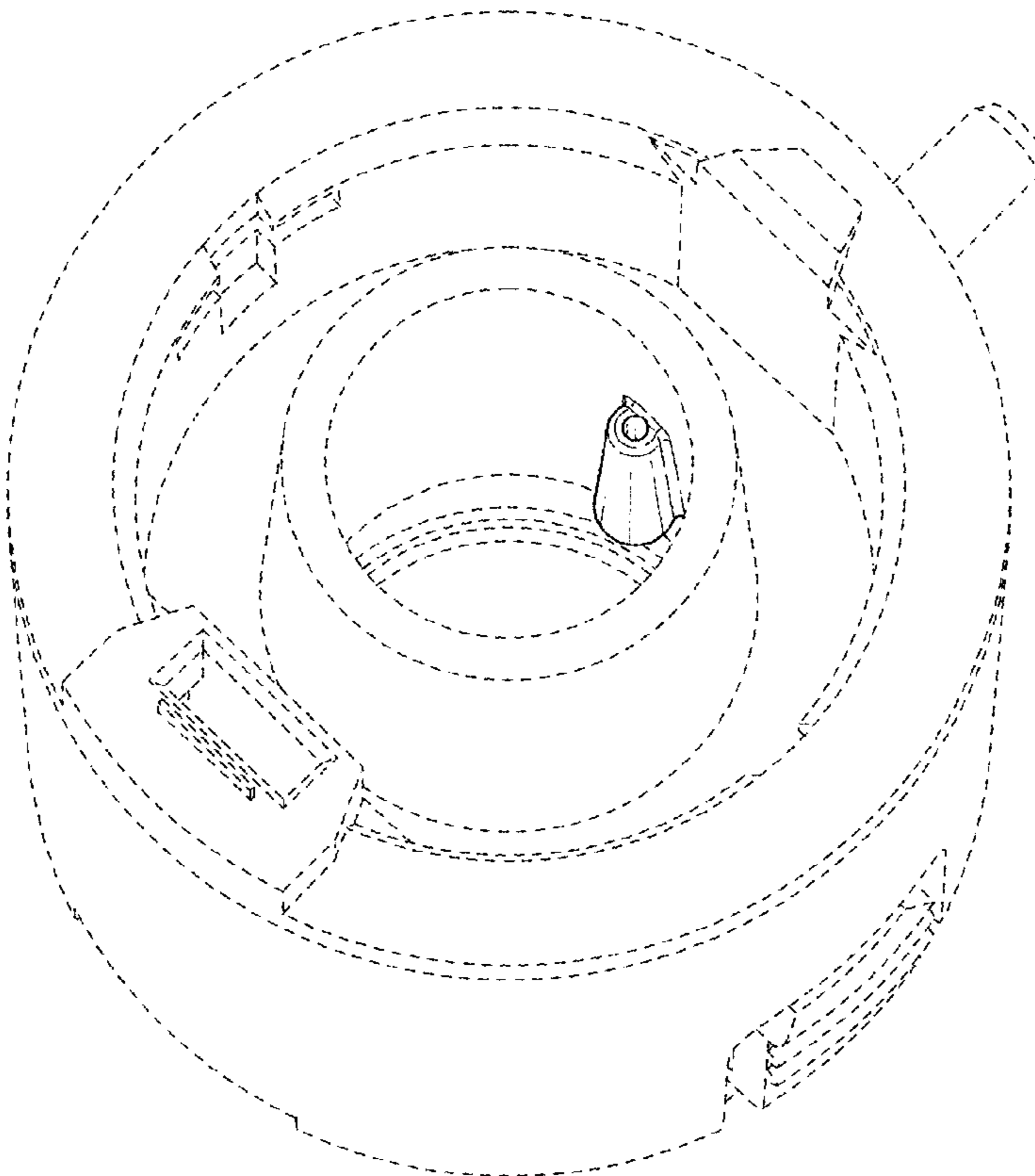


FIG. 6

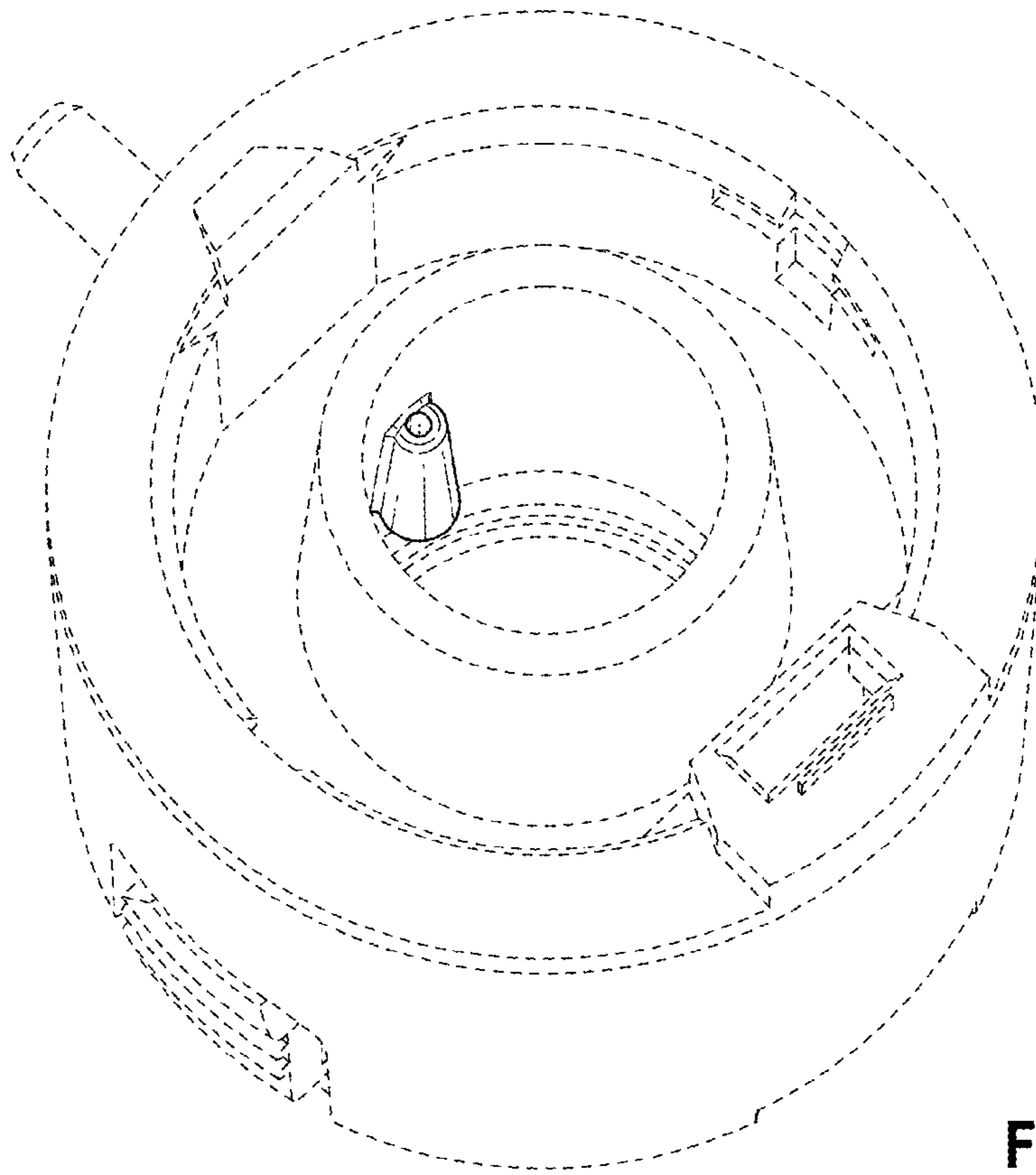


FIG. 7

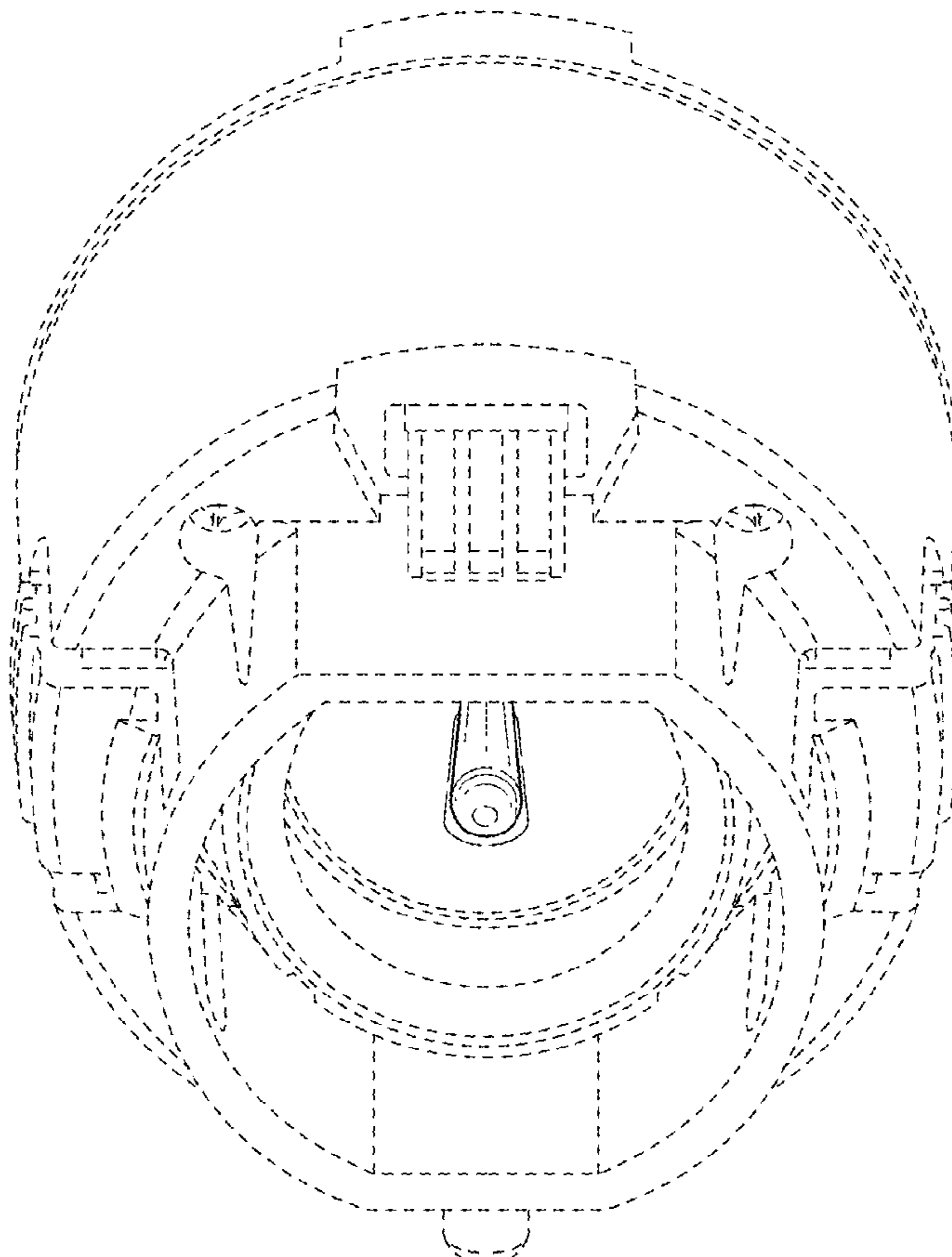


FIG. 8

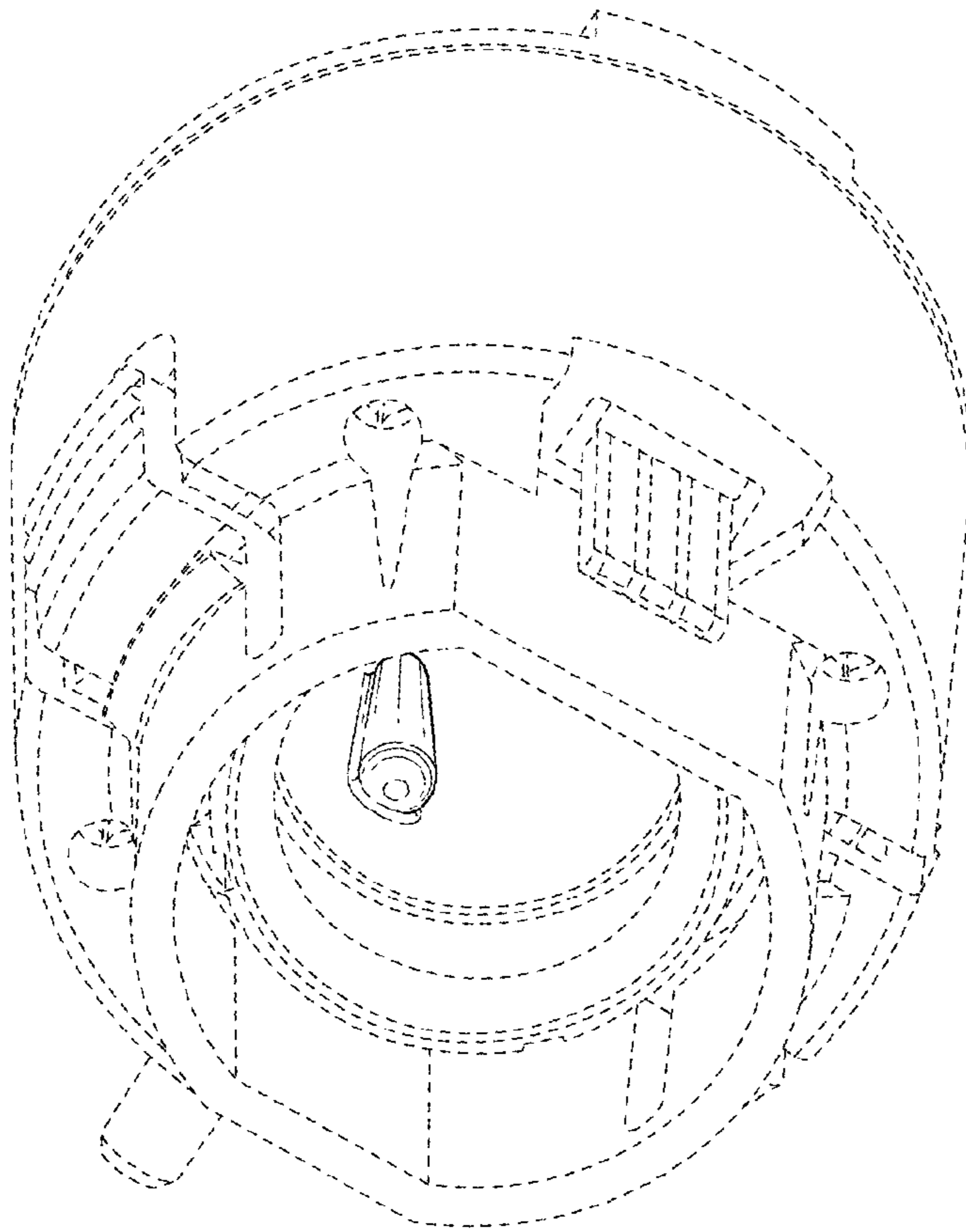


FIG. 9

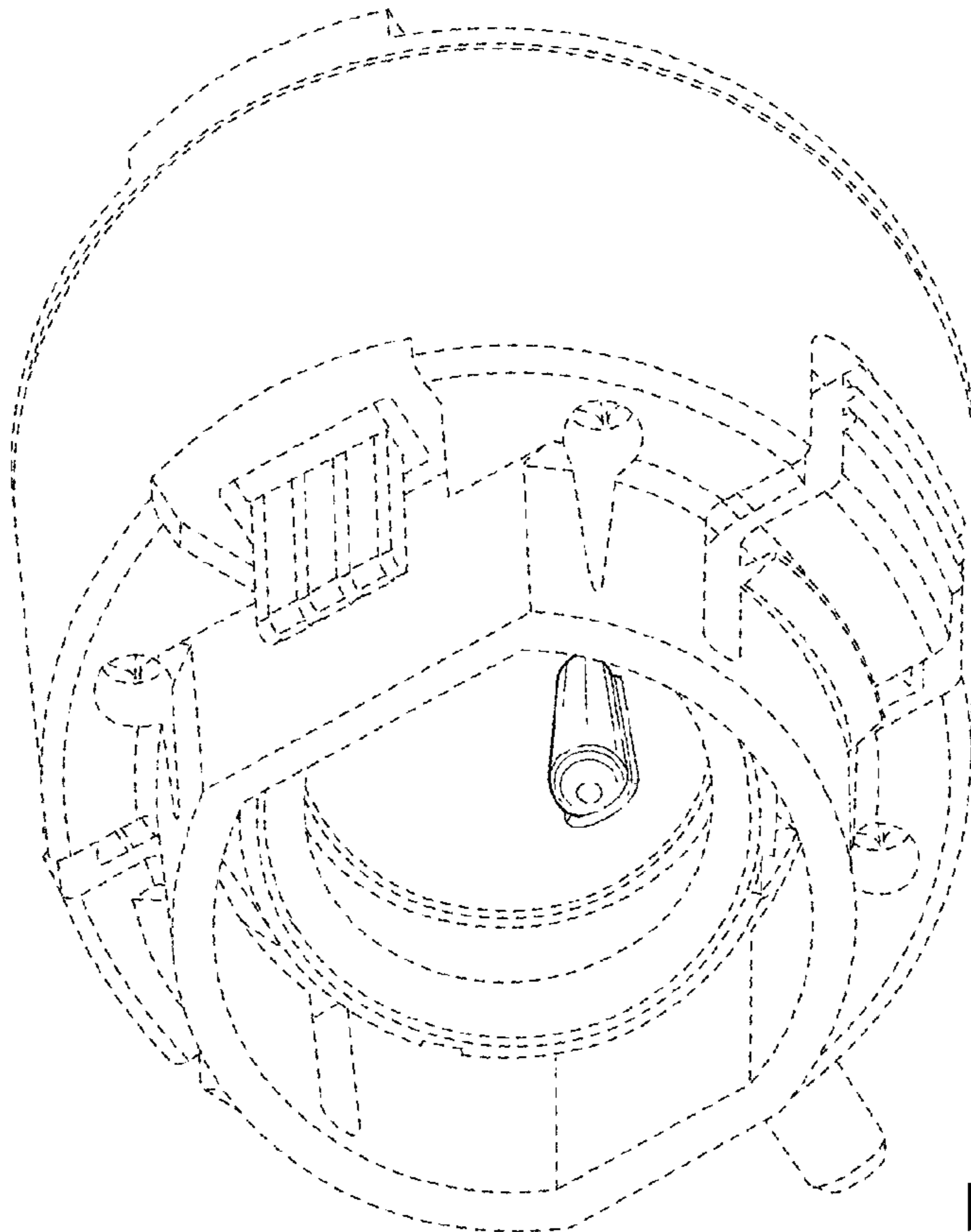


FIG. 10