



US00D957588S

(12) **United States Design Patent**  
**Kozlowski**

(10) **Patent No.:** **US D957,588 S**

(45) **Date of Patent:** **\*\* Jul. 12, 2022**

(54) **DRAIN TRAY**

(71) Applicant: **Drains Unlimited LLC**, Darien, CT  
(US)

(72) Inventor: **Mirosław Kozłowski**, Trumbull, CT  
(US)

(73) Assignee: **Mirosław Kozłowski**, Wilton, CT (US)

(\*\*) Term: **15 Years**

(21) Appl. No.: **29/700,710**

(22) Filed: **Aug. 5, 2019**

(51) **LOC (13) Cl.** ..... **23-01**

(52) **U.S. Cl.**  
USPC ..... **D23/259**; D23/304

(58) **Field of Classification Search**  
USPC ..... D23/249, 259–261, 267, 283, 303–304,  
D23/306–307; 4/604, 612–613, 596, 637,  
4/656, 660; 251/215–216  
CPC ..... F16L 11/00; F16L 37/252; F16L 41/007  
See application file for complete search history.

(56) **References Cited**

U.S. PATENT DOCUMENTS

|              |         |                    |       |         |
|--------------|---------|--------------------|-------|---------|
| D349,950 S * | 8/1994  | Cummings           | ..... | D23/283 |
| D351,019 S * | 9/1994  | Moore              | ..... | D23/283 |
| D496,095 S * | 9/2004  | Rooke              | ..... | D23/304 |
| D541,913 S * | 5/2007  | Piatt              | ..... | D23/304 |
| D836,758 S * | 12/2018 | Rocandio Mazagatos | ..    | D23/304 |
| D858,719 S * | 9/2019  | Dallmer            | ..... | D23/261 |
| D859,605 S * | 9/2019  | Dallmer            | ..... | D23/261 |
| D859,606 S * | 9/2019  | Dallmer            | ..... | D23/261 |

|              |         |                    |       |         |
|--------------|---------|--------------------|-------|---------|
| D859,607 S * | 9/2019  | Dallmer            | ..... | D23/261 |
| D863,515 S * | 10/2019 | Rocandio Mazagatos | ..    | D23/304 |
| D875,904 S * | 2/2020  | Rocandio Mazagatos | ..    | D23/304 |
| D912,788 S * | 3/2021  | Adams              | ..... | D23/304 |
| D926,949 S * | 8/2021  | Adams              | ..... | D23/304 |

OTHER PUBLICATIONS

Laticrete Hydro Ban Pre-Sloped Linear Drain Shower Pan; Website copyright 2020; Visited Online Dec. 22, 2021; <https://www.contractorsdirect.com/hydroban-linear-drain-shower-pan> (Year: 2020).\*  
PCS Linear 1500×900×22mm Wetroom Shower; Website Copyright date 2019; Visited Online Dec. 22, 2021; <https://www.ke-99.top/ProductDetail.aspx?iid=127472443&pr=31.96> (Year: 2019).\*

\* cited by examiner

*Primary Examiner* — Amy C Wierenga

(74) *Attorney, Agent, or Firm* — St. Onge Steward  
Johnston and Reens LLC

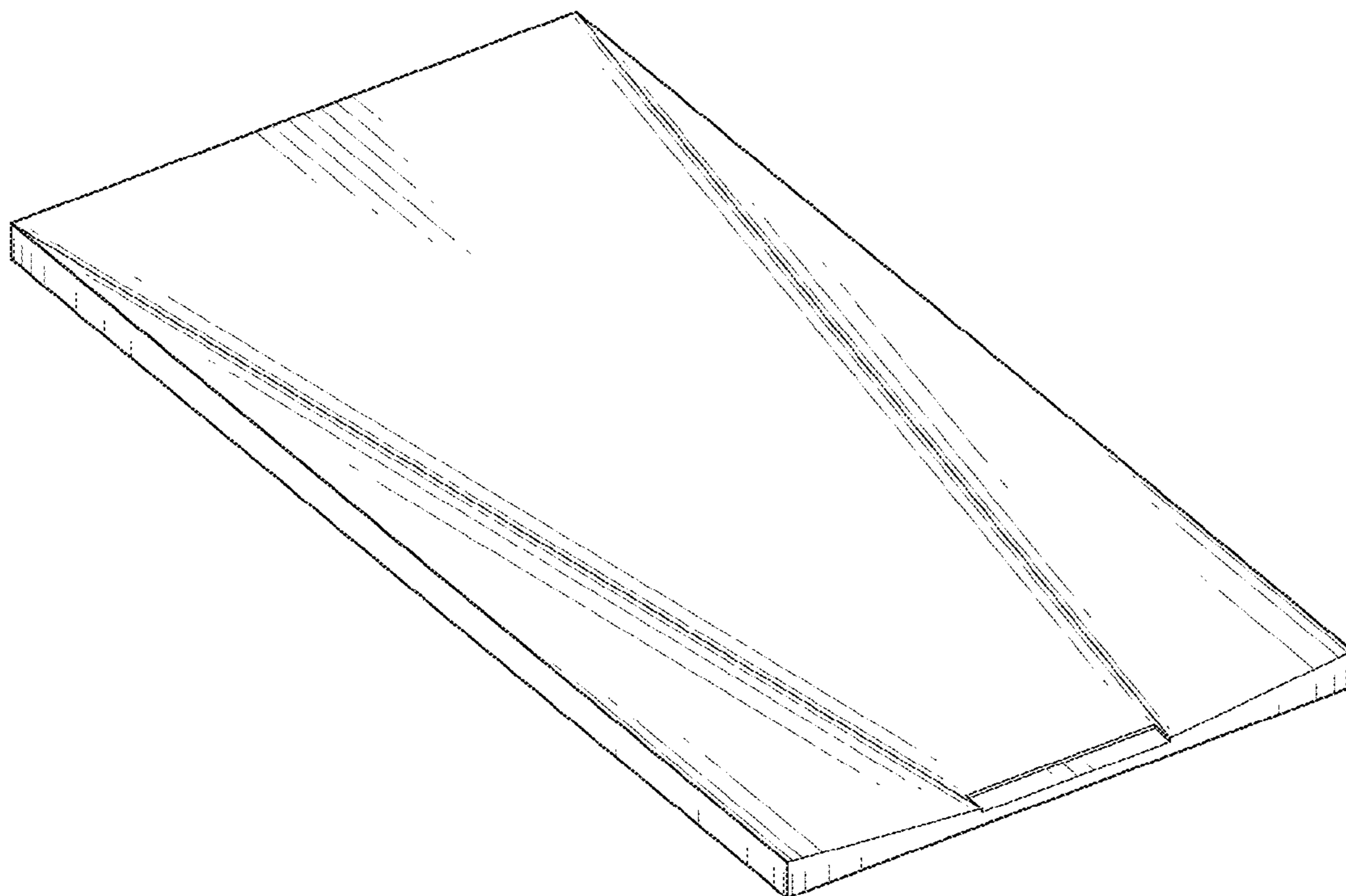
(57) **CLAIM**

I claim the ornamental design for a drain tray, as shown and described.

**DESCRIPTION**

FIG. 1 is a front isometric view of a drain tray in accordance with the new design;  
FIG. 2 is a front view thereof;  
FIG. 3 is a rear view thereof;  
FIG. 4 is a right side view thereof;  
FIG. 5 is a left side view thereof;  
FIG. 6 is a top view thereof; and,  
FIG. 7 is a bottom view thereof.

**1 Claim, 7 Drawing Sheets**



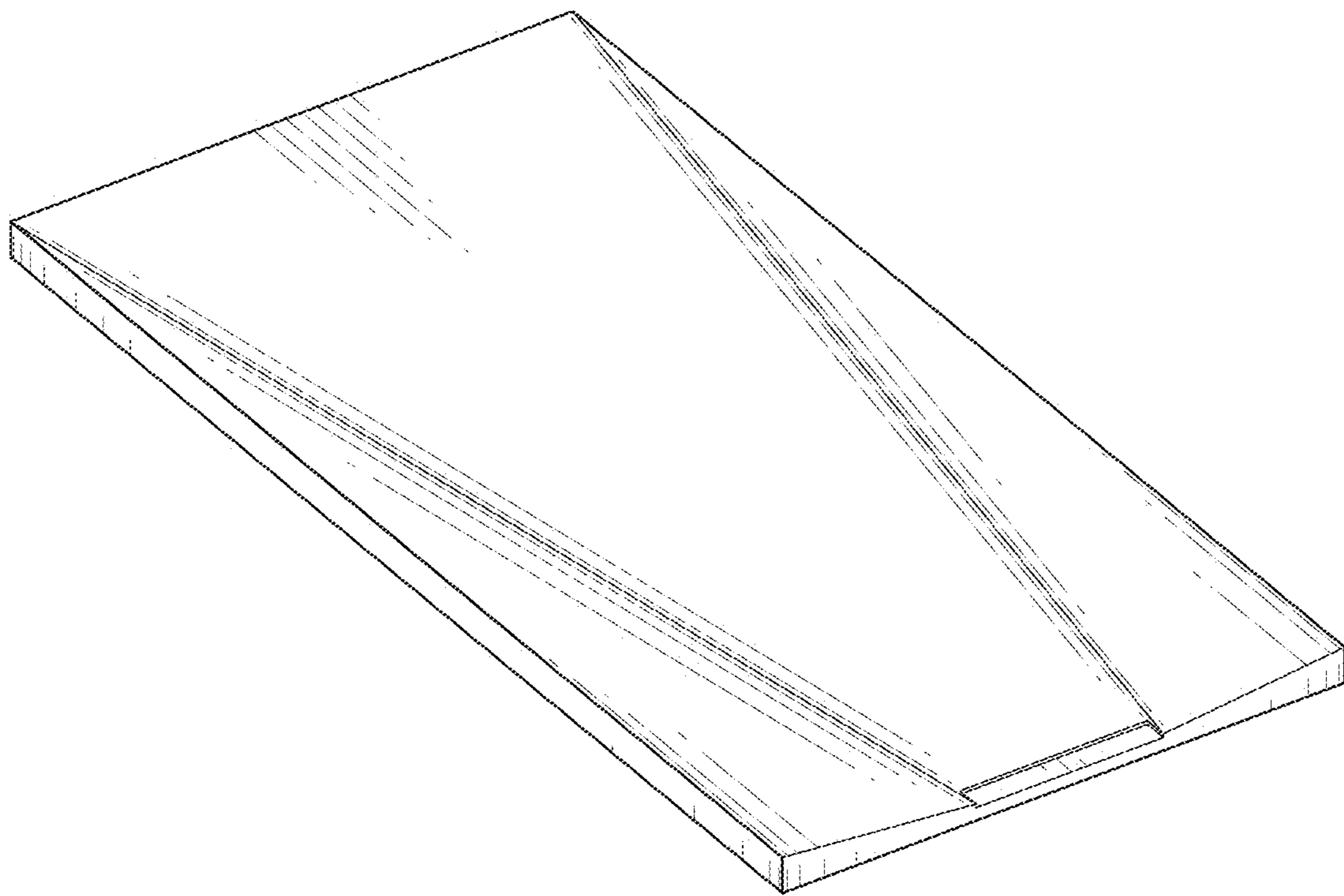


FIG. 1



FIG. 2



FIG. 3



FIG. 4



FIG. 5

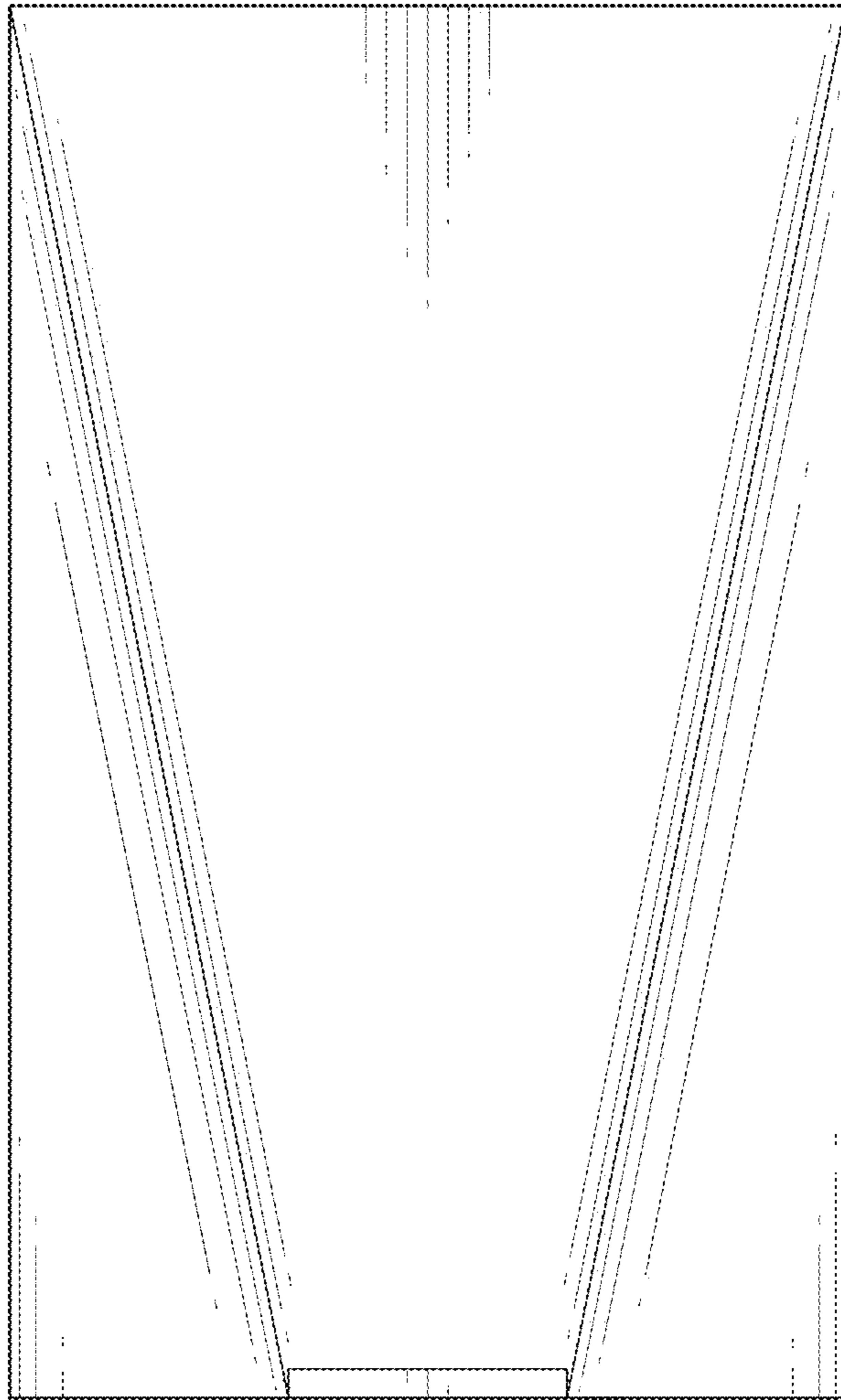


FIG. 6

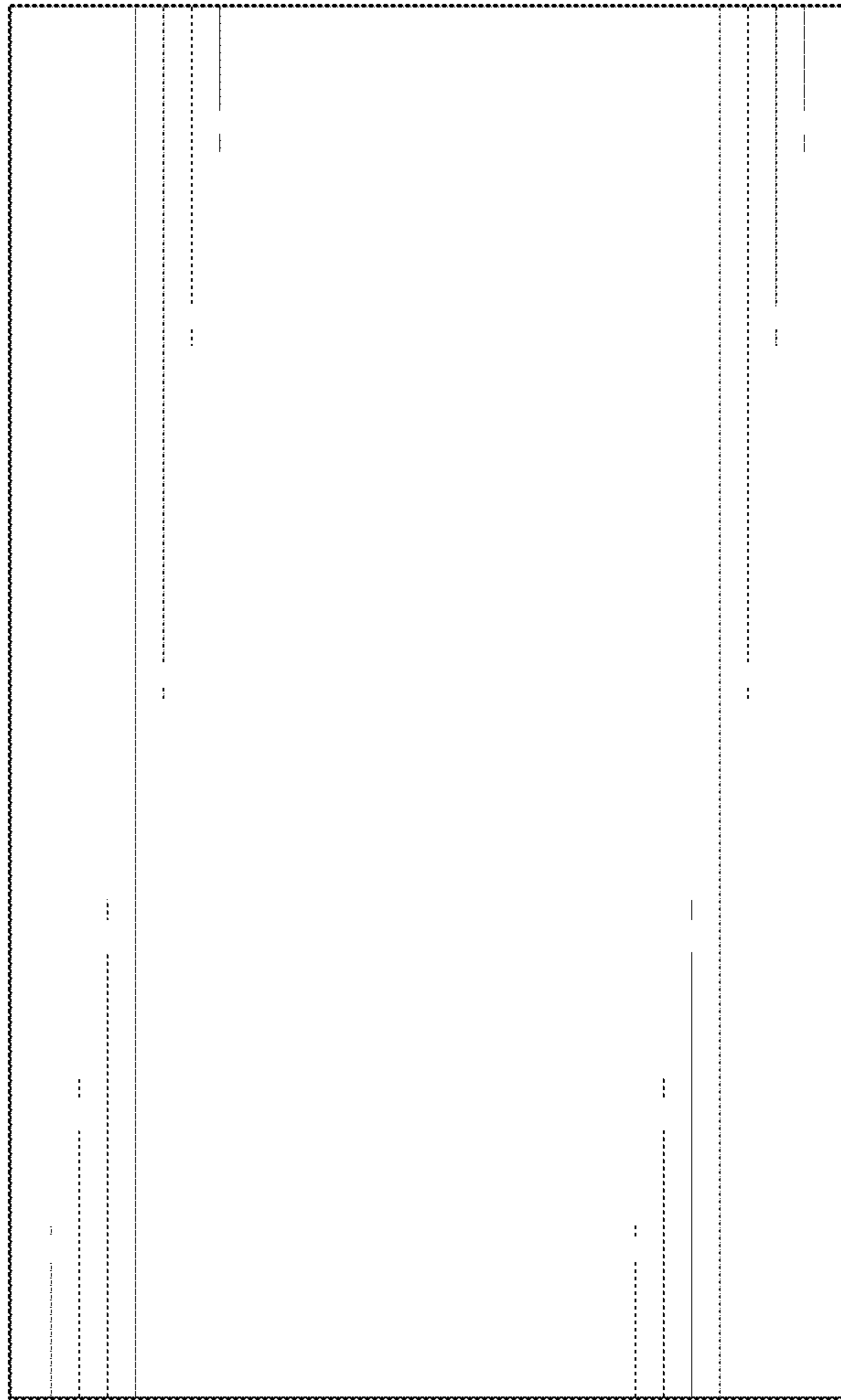


FIG. 7