



US00D957584S

(12) **United States Design Patent**
Garland

(10) **Patent No.:** **US D957,584 S**
(45) **Date of Patent:** **** Jul. 12, 2022**

(54) **FAUCET HANDLE**

2009/0101221 A1* 4/2009 Hsiao F16K 19/006
137/801

(71) Applicant: **DELTA FAUCET COMPANY,**
Indianapolis, IN (US)

* cited by examiner

(72) Inventor: **Celine Kwok Garland,** Zionsville, IN
(US)

Primary Examiner — Robert A Delehanty

(74) *Attorney, Agent, or Firm* — Nirav D. Parikh; Edgar
A. Zarins

(73) Assignee: **DELTA FAUCET COMPANY,**
Indianapolis, IN (US)

(**) Term: **15 Years**

(57) **CLAIM**

(21) Appl. No.: **29/754,371**

The ornamental design for a faucet handle, as shown and
described.

(22) Filed: **Oct. 9, 2020**

(51) **LOC (13) Cl.** **23-01**

(52) **U.S. Cl.**
USPC **D23/252**

(58) **Field of Classification Search**
USPC D23/238–243, 250, 252, 254;
D8/307–308
CPC Y10T 137/9464
See application file for complete search history.

DESCRIPTION

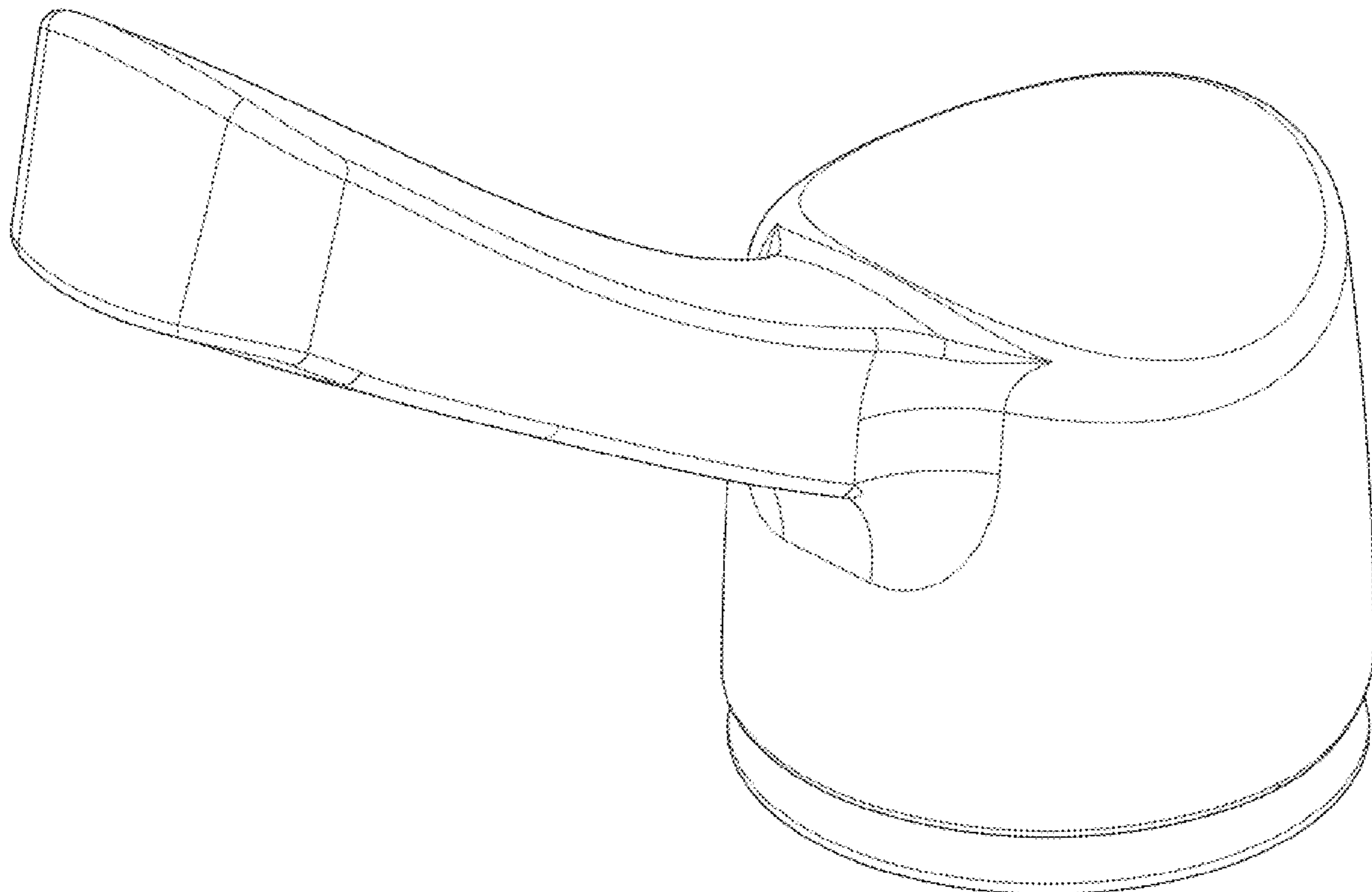
FIG. 1 is a front perspective view of a faucet handle showing
my new design;
FIG. 2 is a rear perspective view thereof;
FIG. 3 is a front elevational view thereof;
FIG. 4 is a left side view thereof;
FIG. 5 is a rear view thereof;
FIG. 6 is a right side view thereof;
FIG. 7 is a top plan view thereof; and,
FIG. 8 is a bottom view thereof.

(56) **References Cited**

U.S. PATENT DOCUMENTS

D759,204 S * 6/2016 Garland D23/238
D907,746 S * 1/2021 Park D23/252
D941,433 S * 1/2022 Upadhyaya D23/252

1 Claim, 4 Drawing Sheets



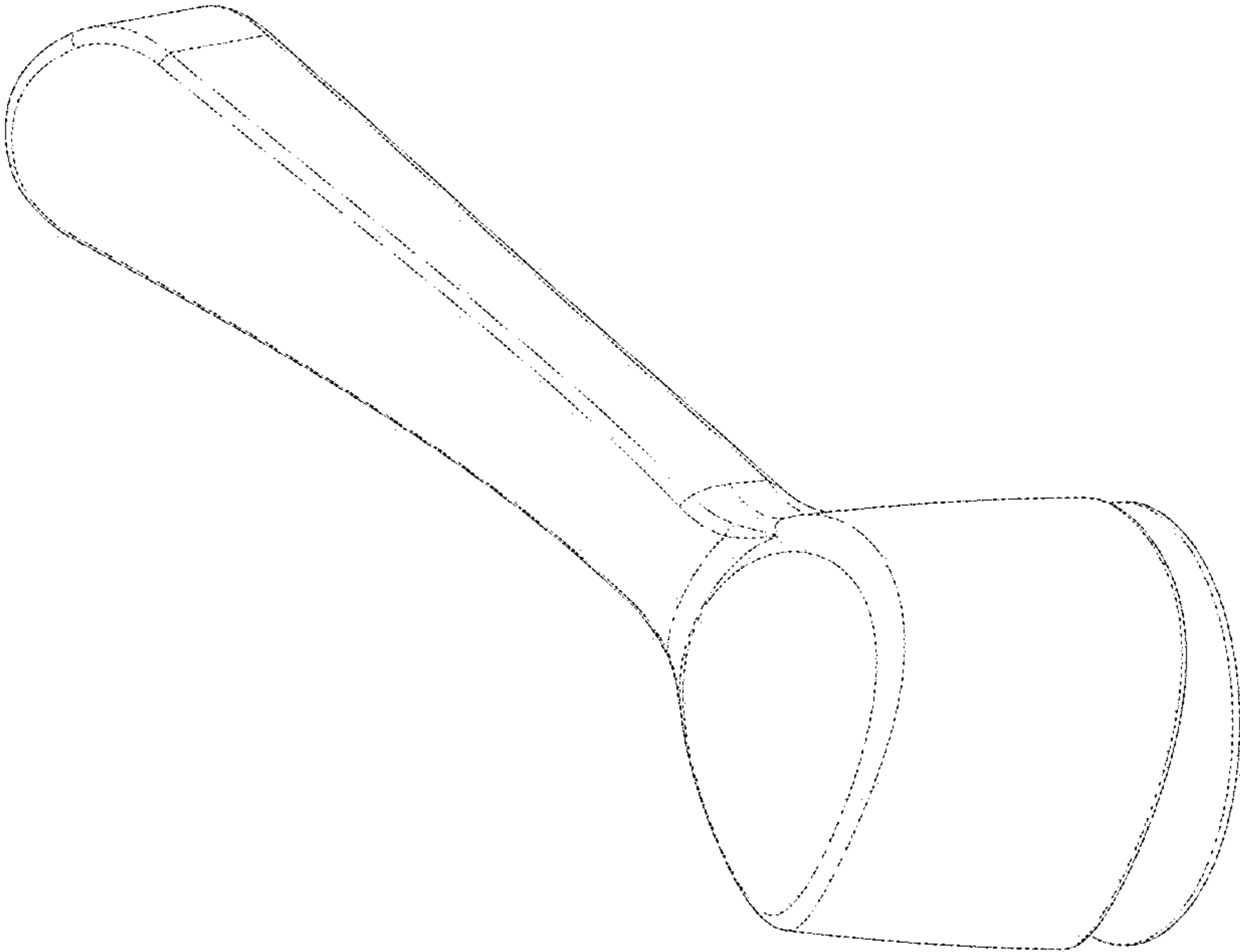


FIG - 2

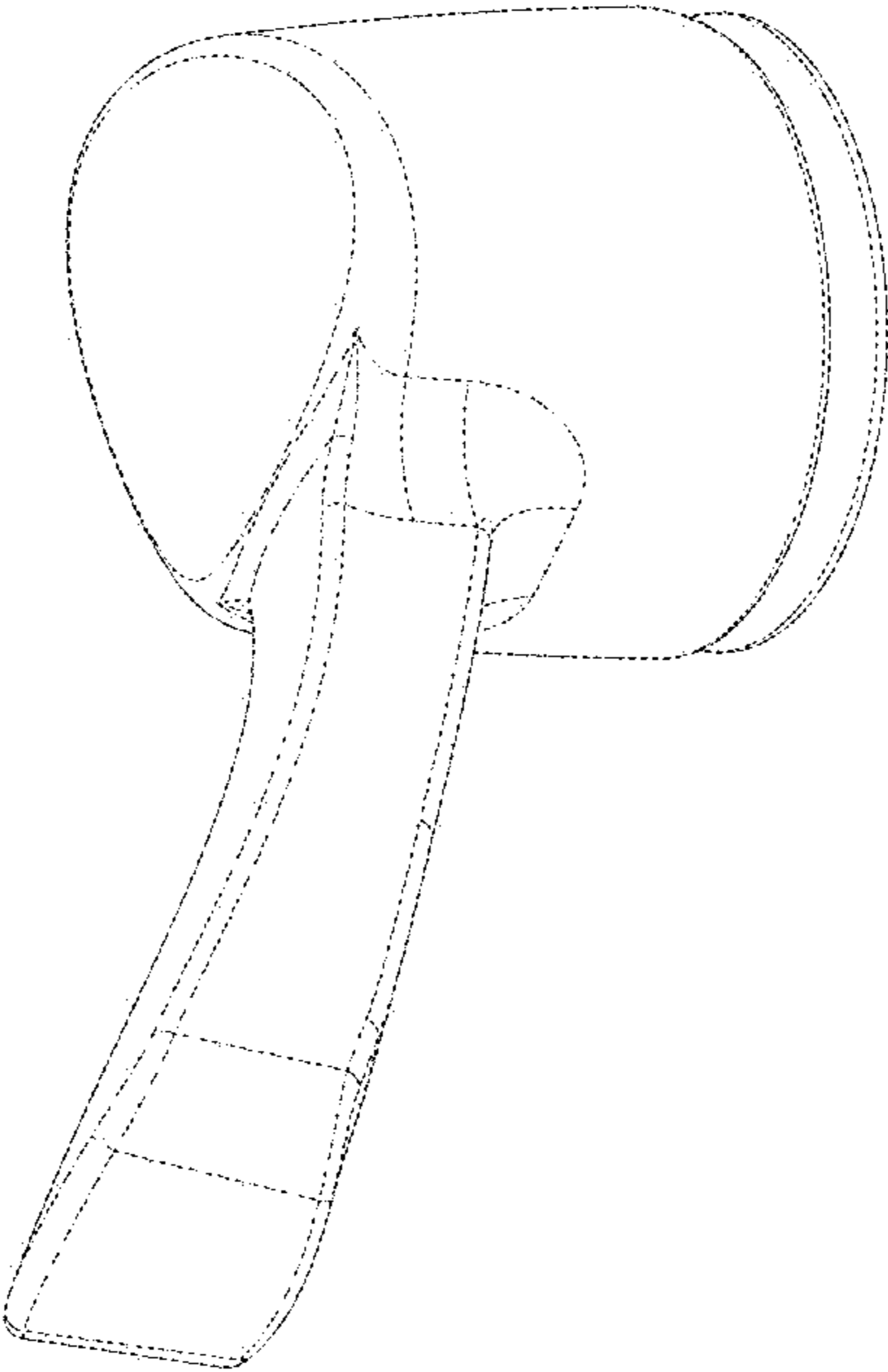


FIG - 1

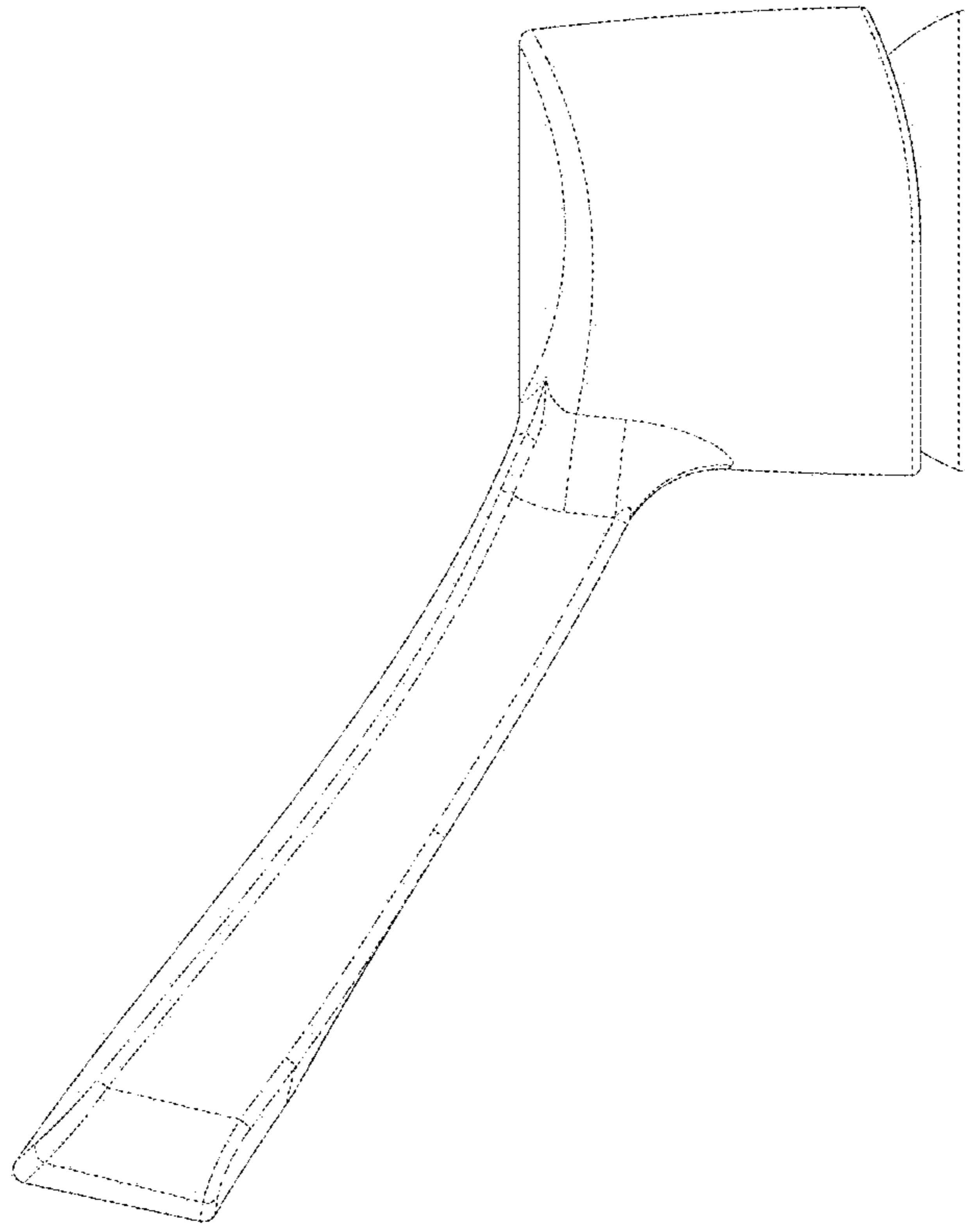


FIG - 4

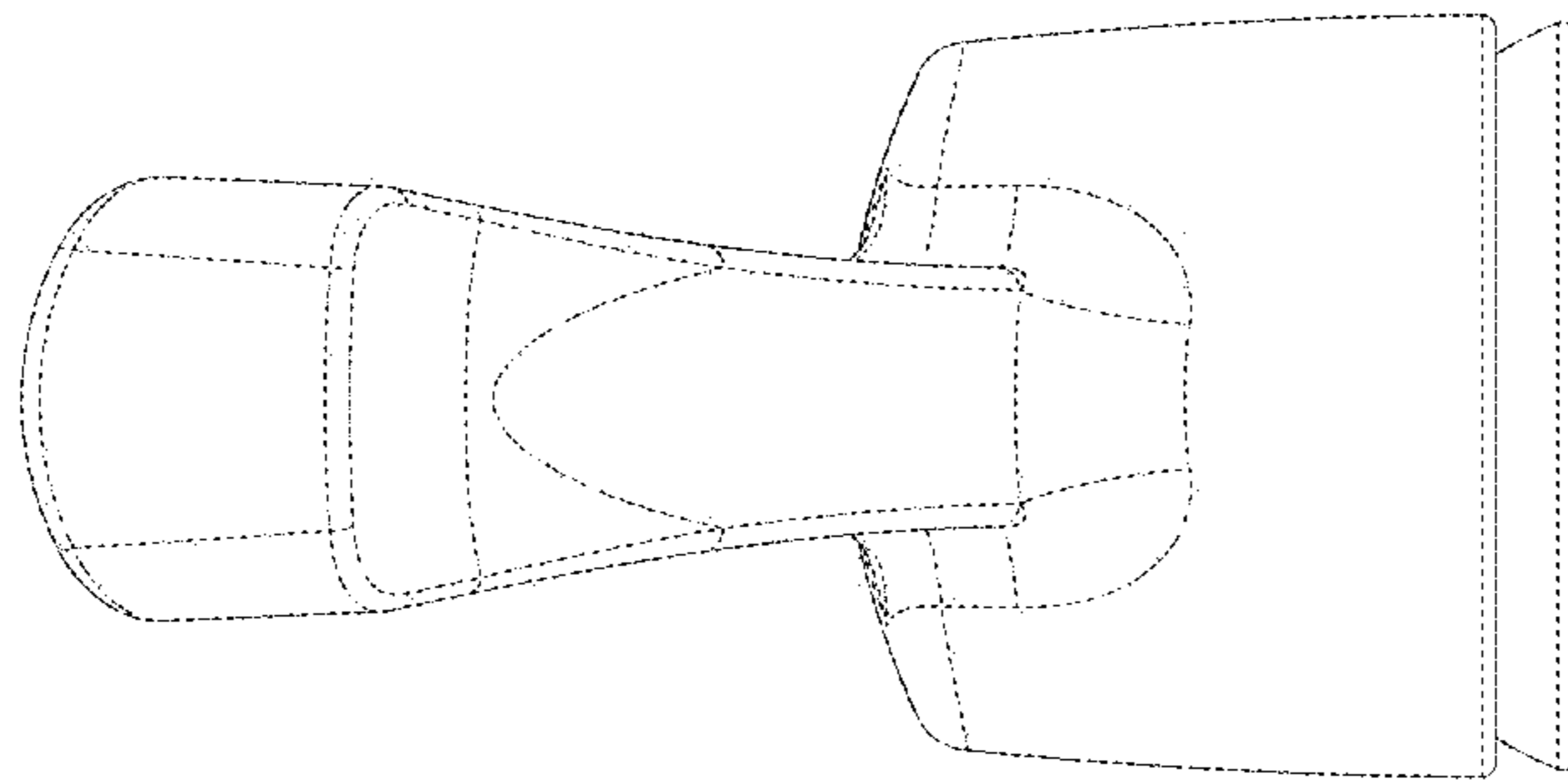


FIG - 3

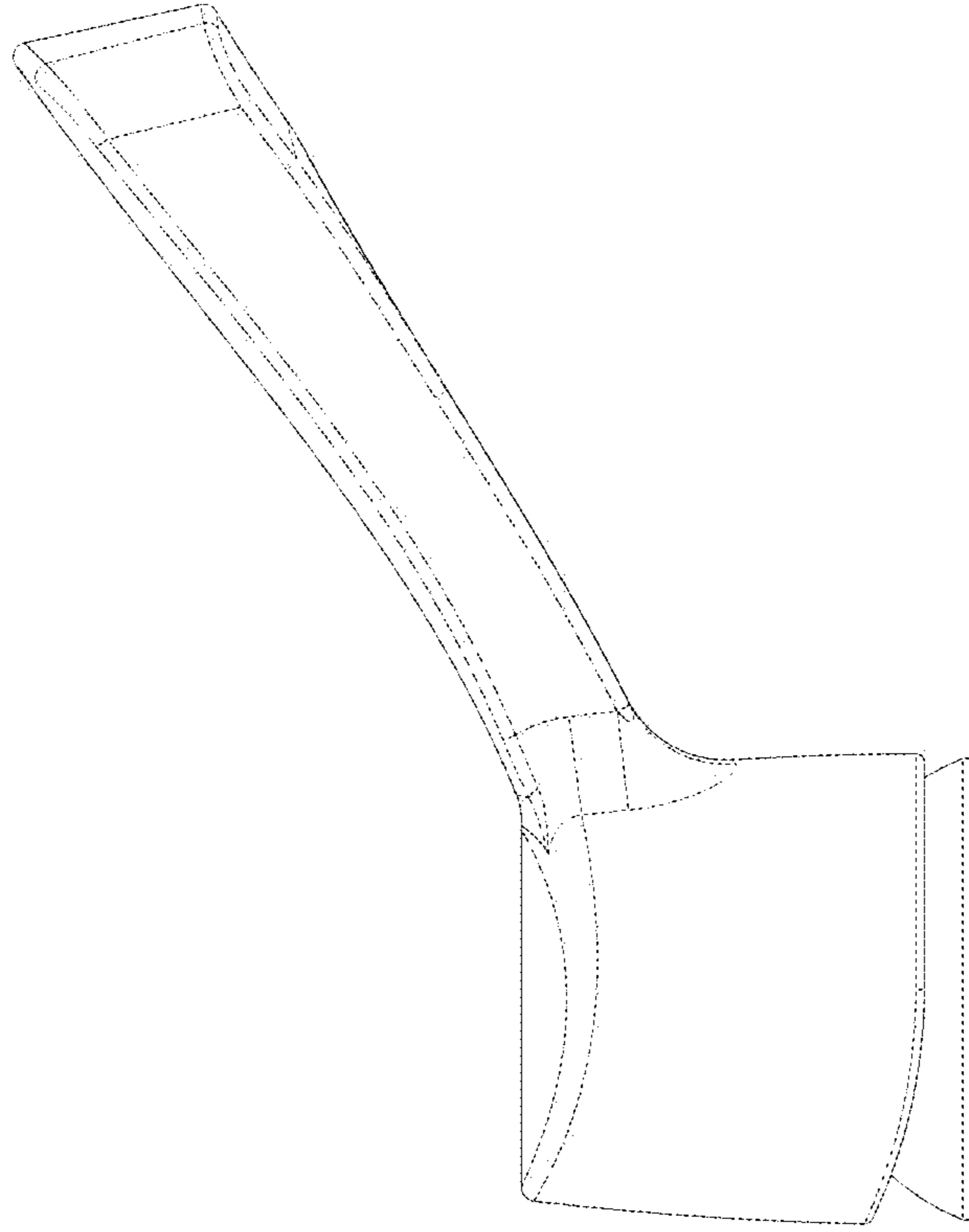


FIG - 6

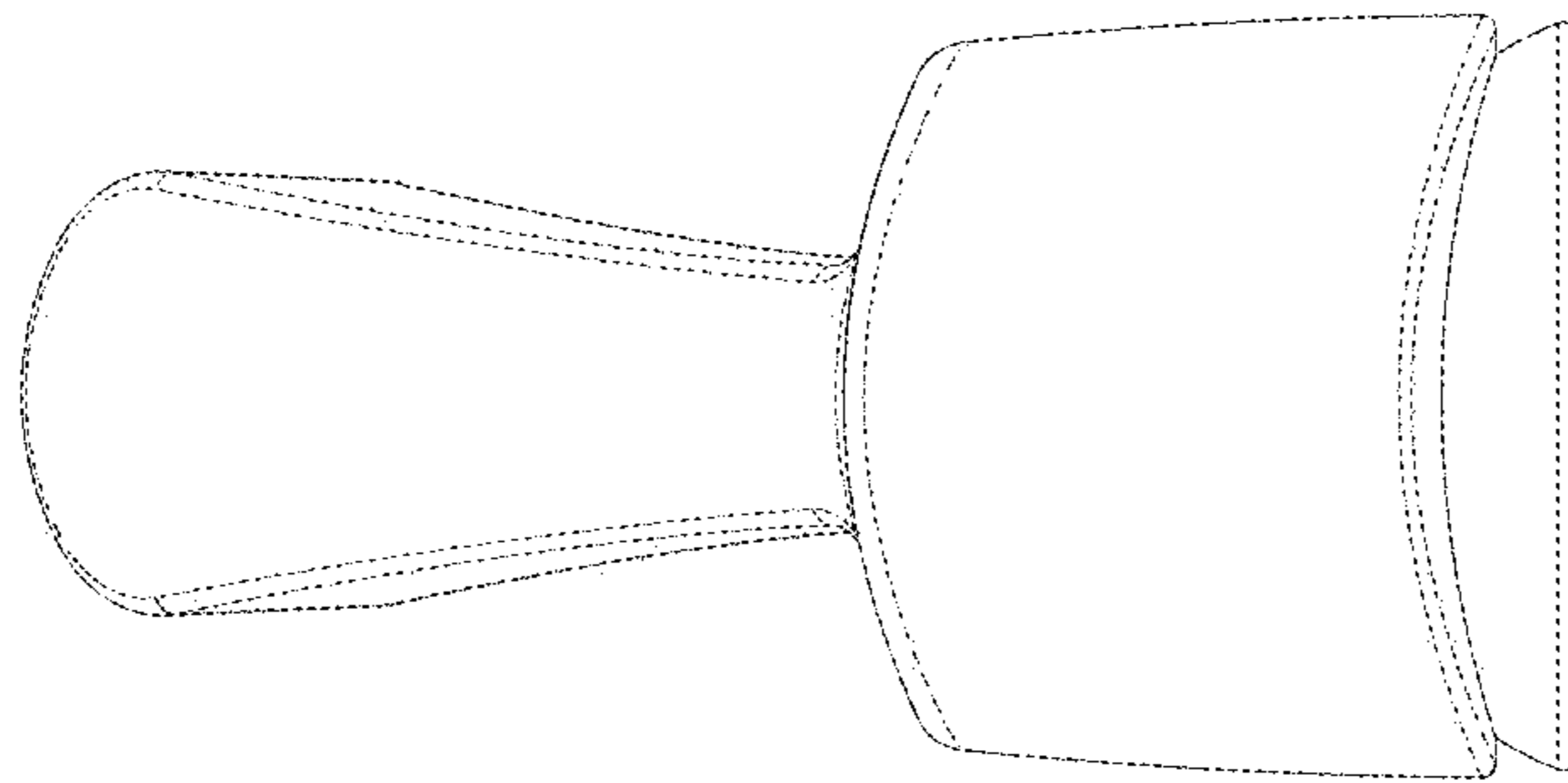


FIG - 5

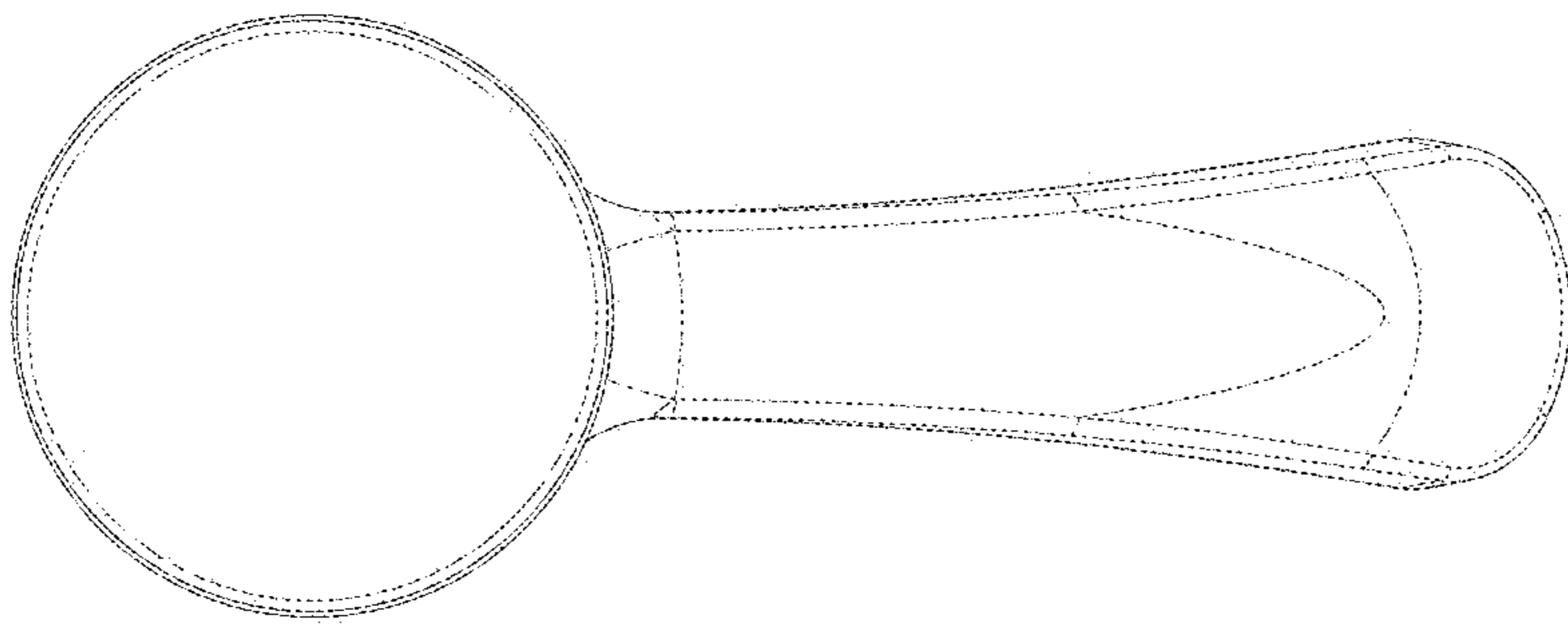


FIG - 8

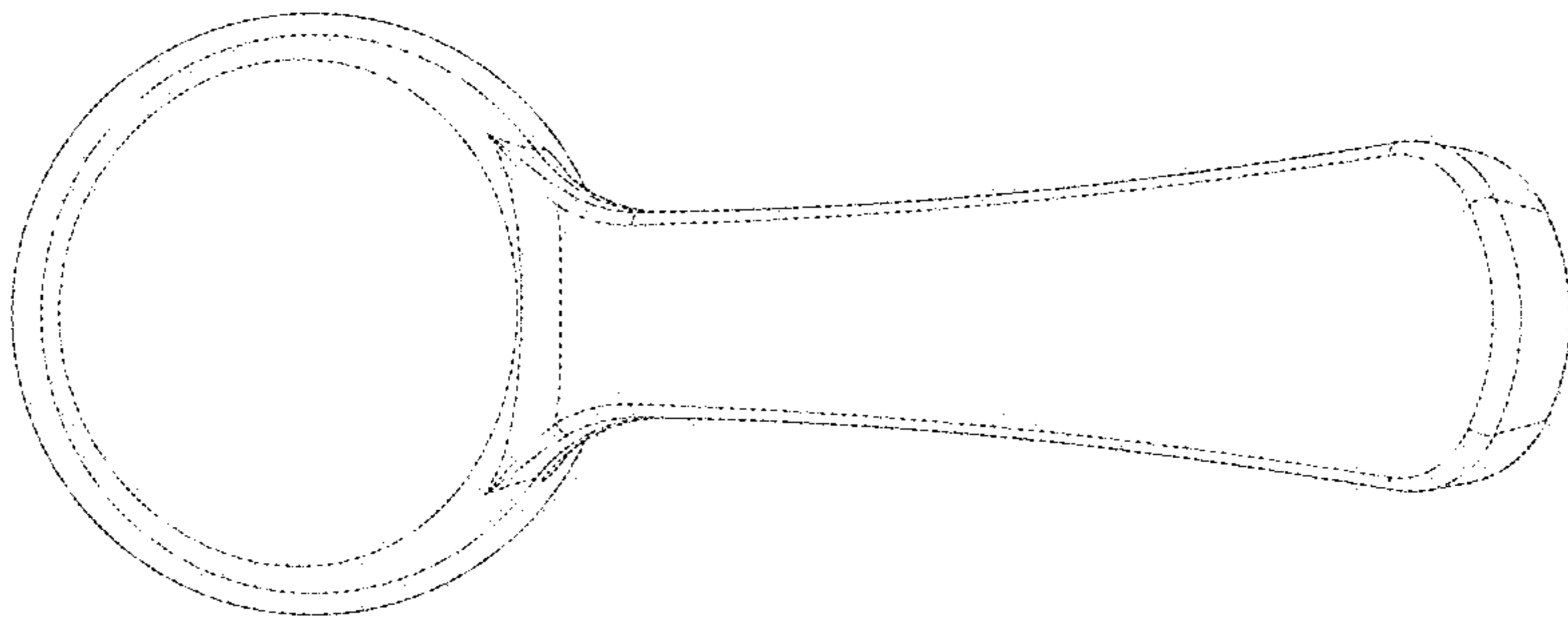


FIG - 7