



US00D957581S

(12) **United States Design Patent**
Elser

(10) **Patent No.:** **US D957,581 S**

(45) **Date of Patent:** **** Jul. 12, 2022**

(54) **FAUCET HANDLE**

(71) Applicant: **DELTA FAUCET COMPANY,**
Indianapolis, IN (US)

(72) Inventor: **Simon Elser,** Indianapolis, IN (US)

(73) Assignee: **DELTA FAUCET COMPANY,**
Indianapolis, IN (US)

(**) Term: **15 Years**

(21) Appl. No.: **29/750,109**

(22) Filed: **Sep. 11, 2020**

(51) **LOC (13) Cl.** **23-01**

(52) **U.S. Cl.**
USPC **D23/252**

(58) **Field of Classification Search**
USPC D23/238-243, 250, 252, 254, 245;
D8/307-308
CPC Y10T 137/9464
See application file for complete search history.

(56) **References Cited**

U.S. PATENT DOCUMENTS

D311,320 S * 10/1990 Jans D8/308
D523,121 S * 6/2006 Schaffeld D23/252

D562,437 S * 2/2008 Jaeb D23/252
D596,713 S * 7/2009 Haug D23/252
D908,194 S * 1/2021 Rockwell D23/252
D930,795 S * 9/2021 Guo D23/252

* cited by examiner

Primary Examiner — Robert A Delehanty

(74) *Attorney, Agent, or Firm* — Nirav D. Parikh; Edgar
A. Zarins

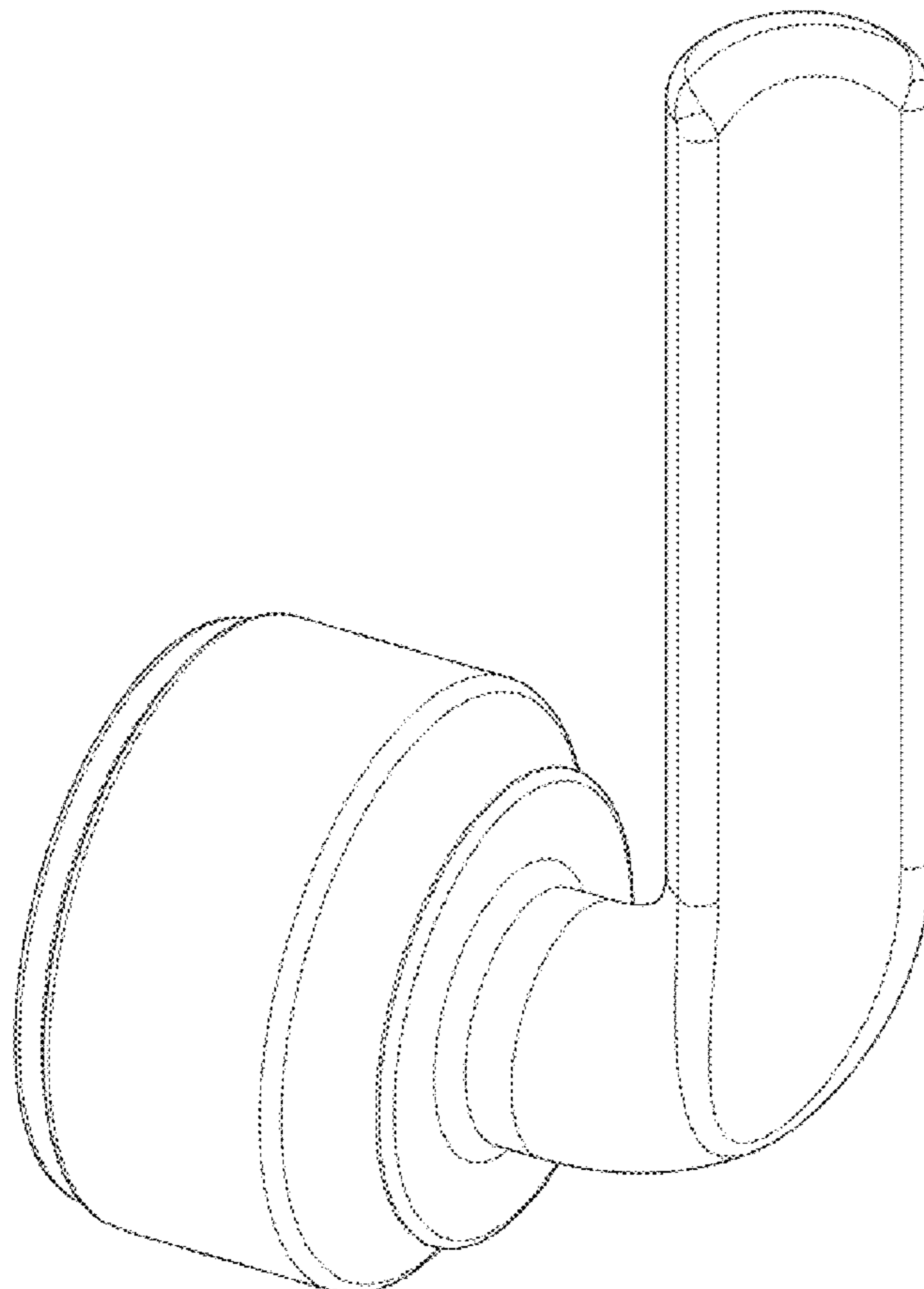
(57) **CLAIM**

The ornamental design for a faucet handle, as shown and
described.

DESCRIPTION

FIG. 1 is a front perspective view of a faucet handle showing
my new design;
FIG. 2 is a rear perspective view thereof;
FIG. 3 is a front elevational view thereof;
FIG. 4 is a left side view thereof;
FIG. 5 is a rear view thereof;
FIG. 6 is a right side view thereof;
FIG. 7 is a top plan view thereof; and,
FIG. 8 is a bottom view thereof.

1 Claim, 4 Drawing Sheets



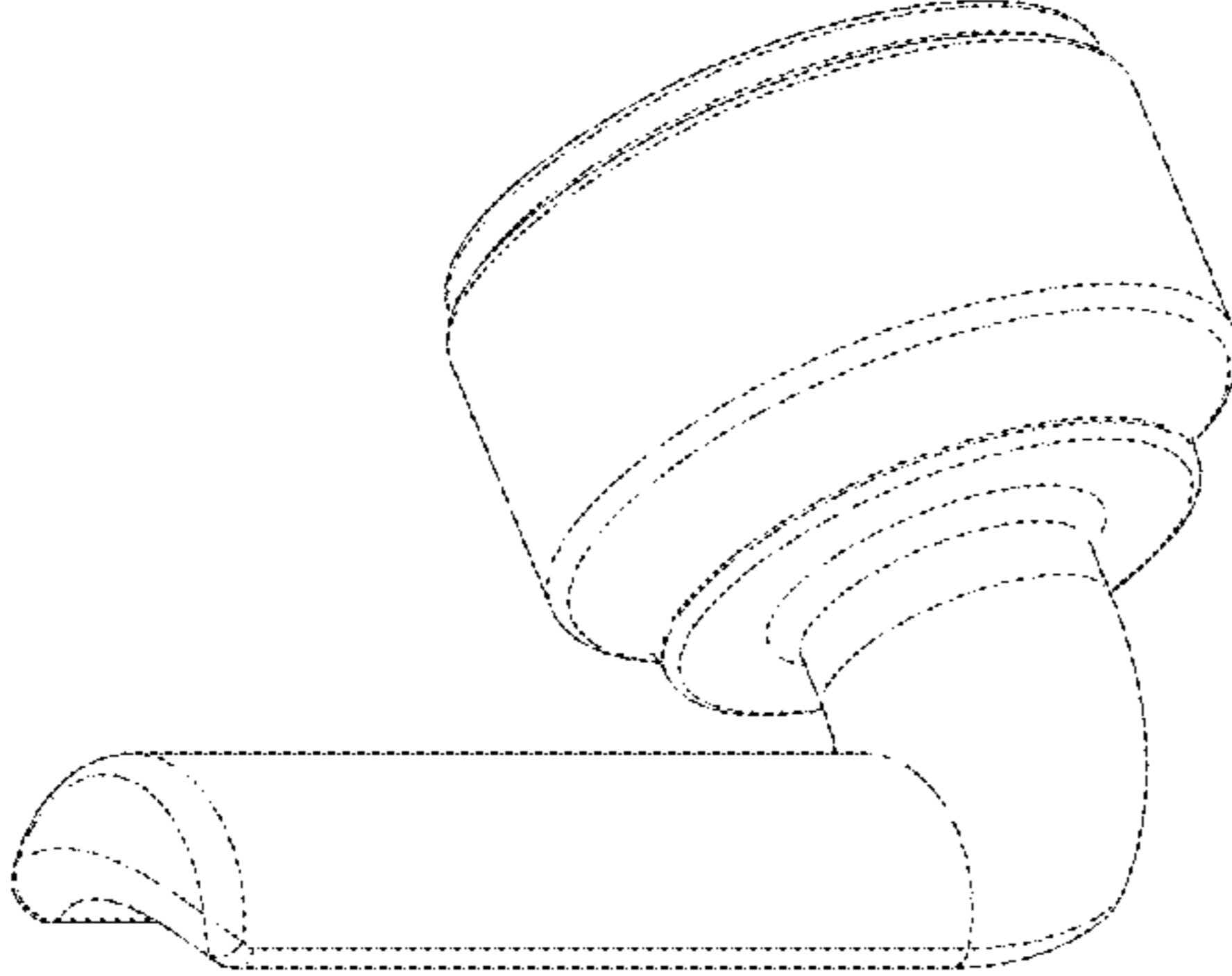


FIG - 2

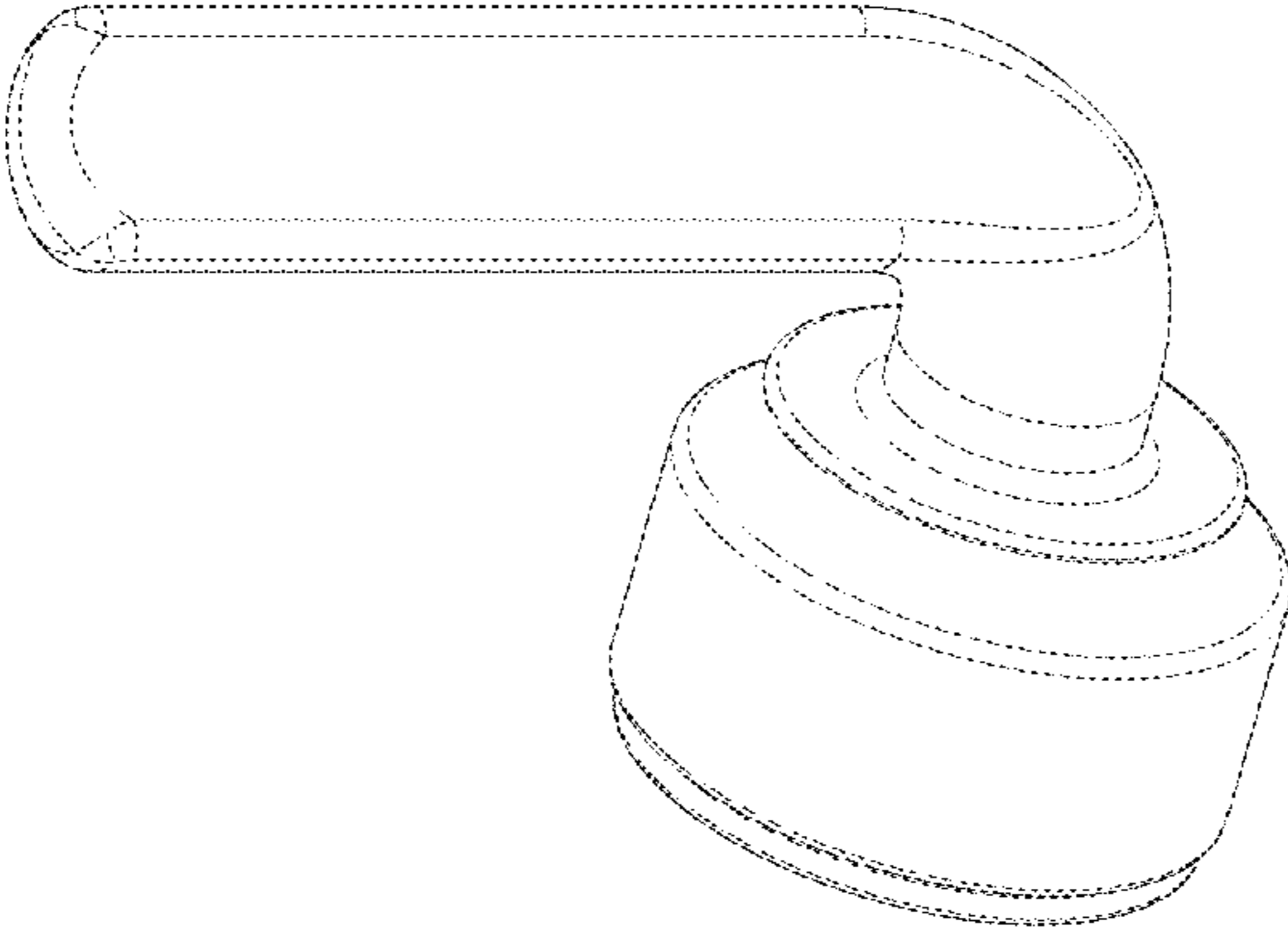


FIG - 1

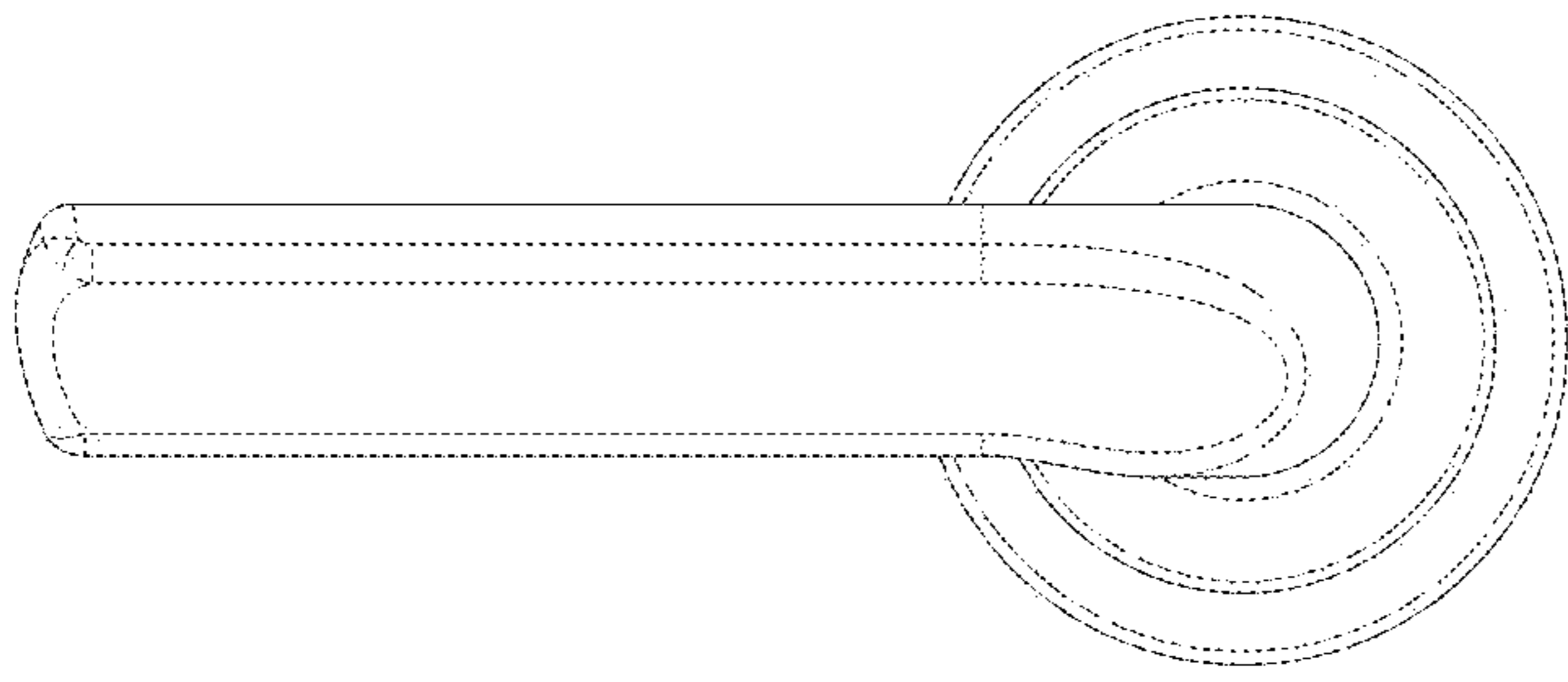


FIG - 4

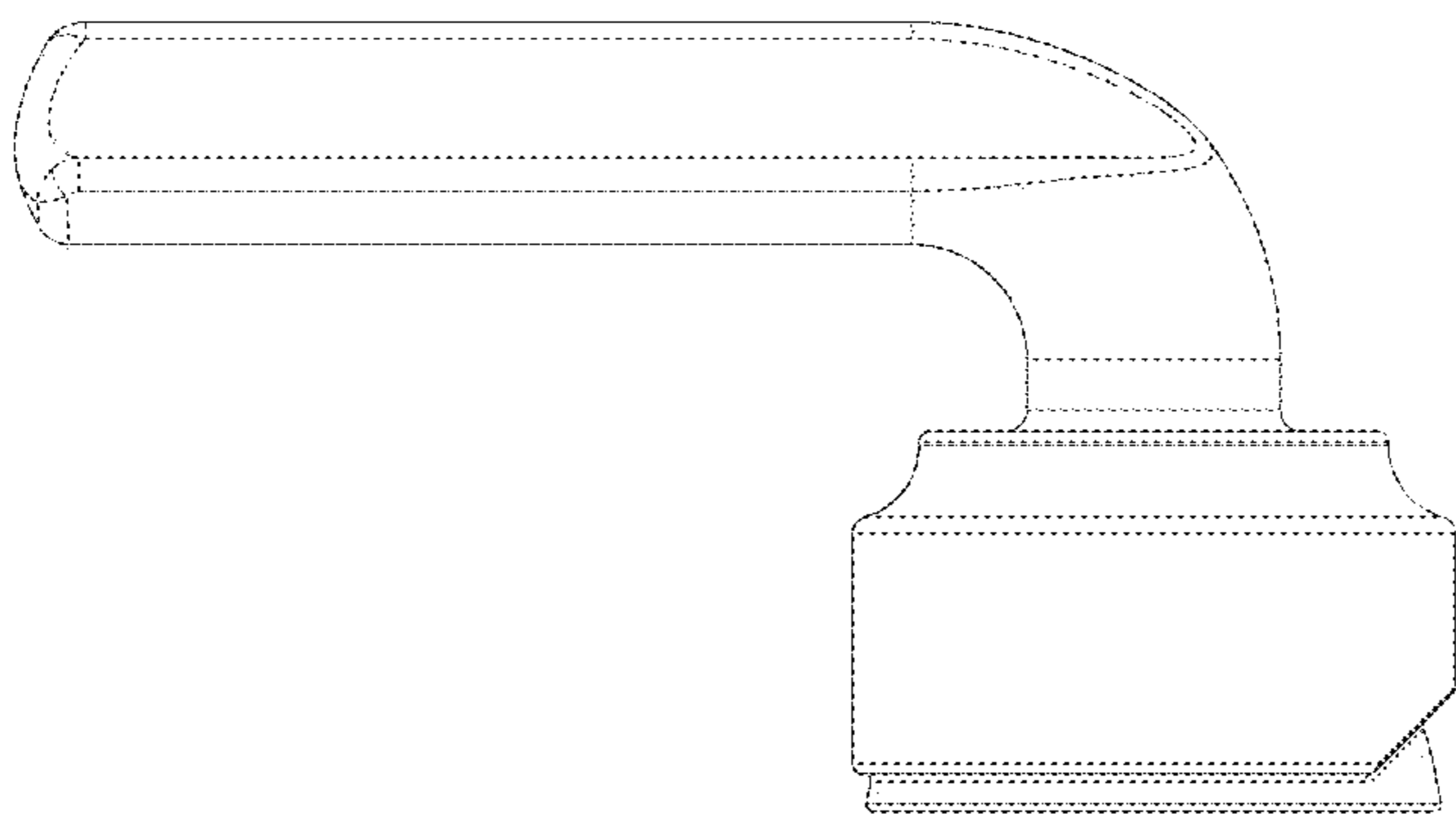


FIG - 3

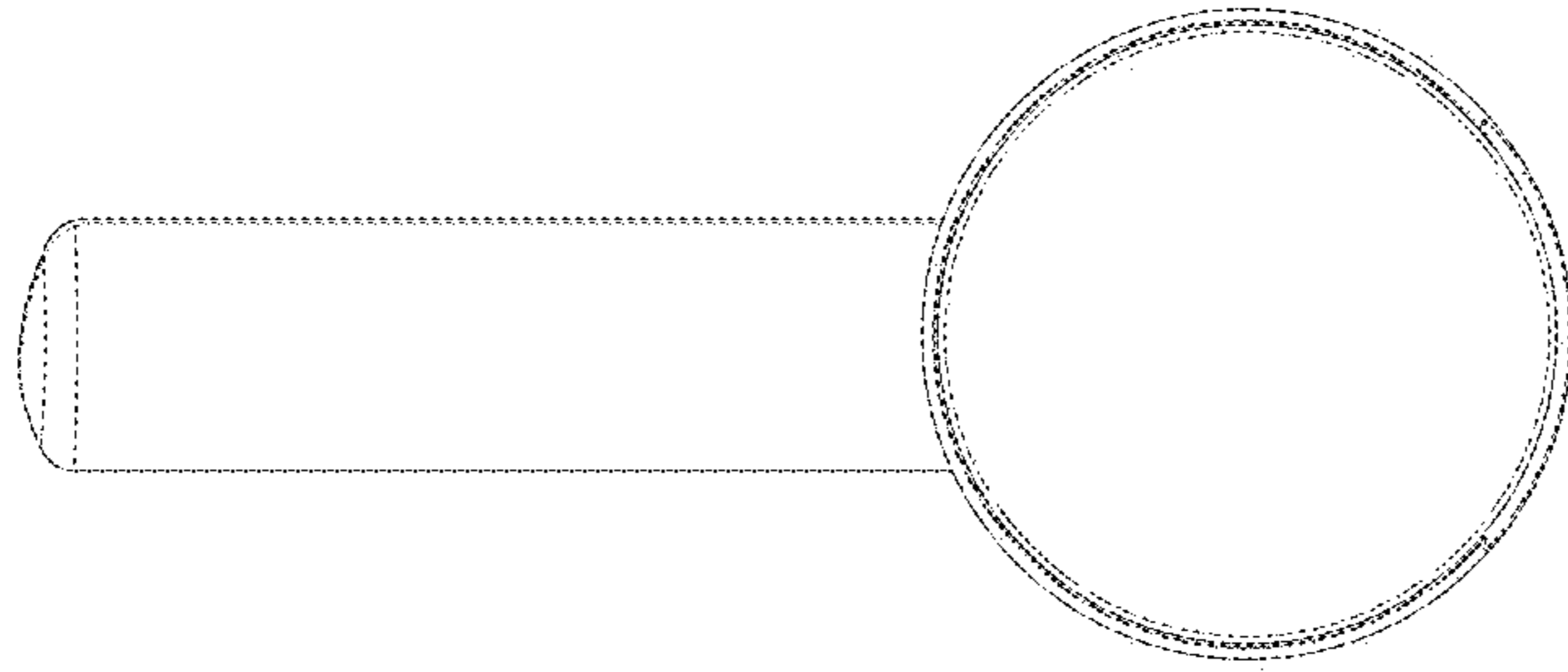


FIG - 6

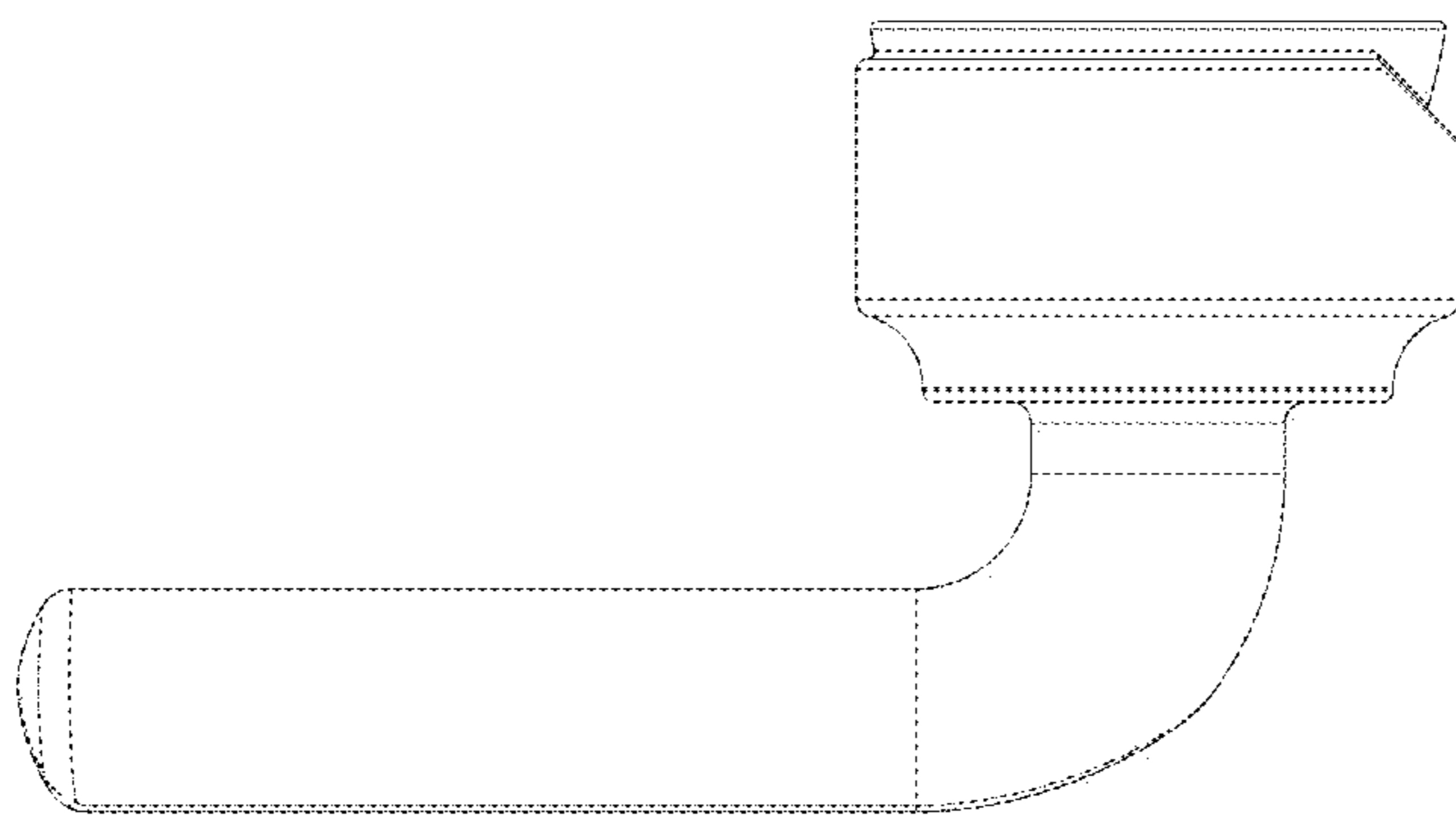


FIG - 5

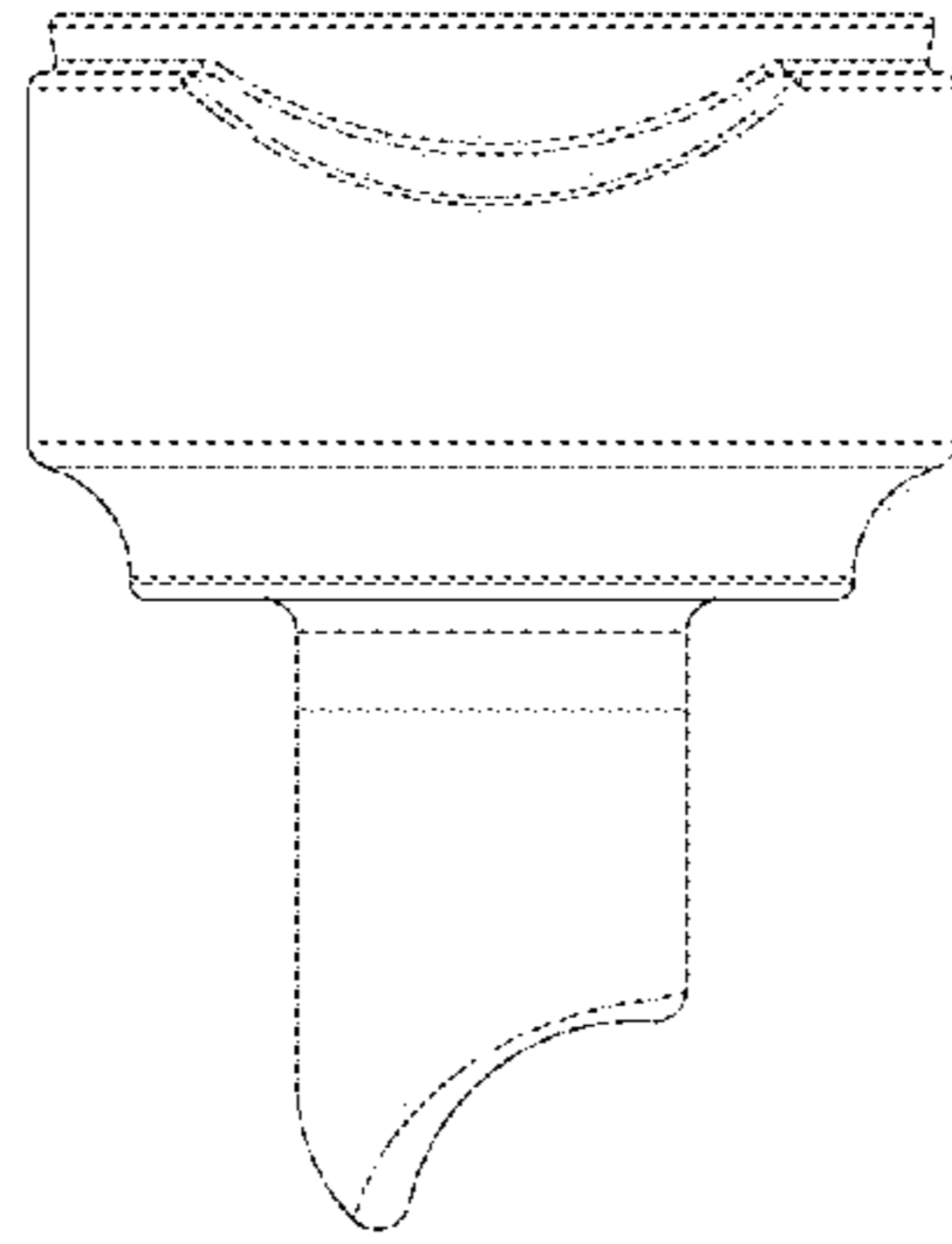


FIG - 8

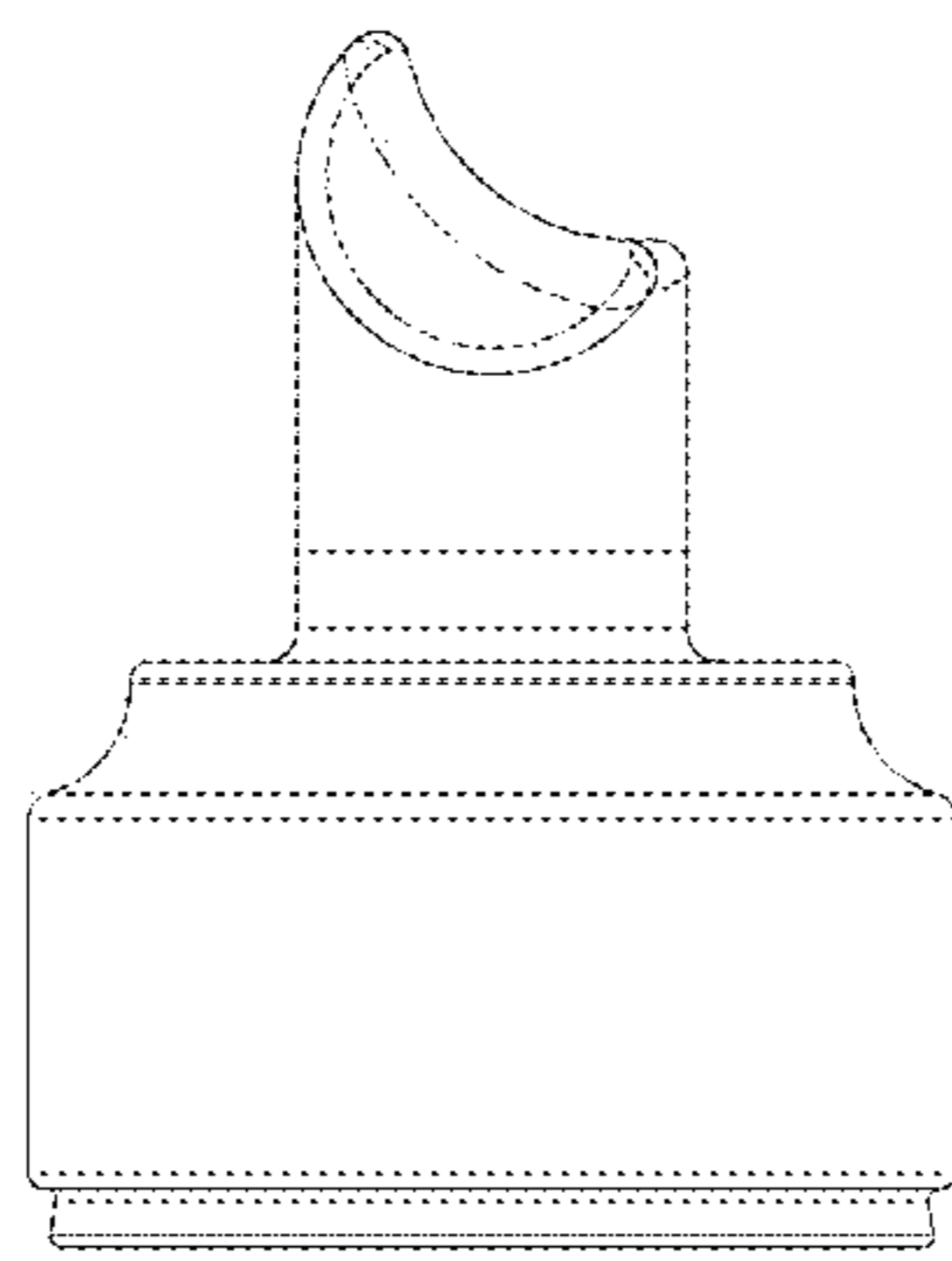


FIG - 7