



US00D957580S

(12) **United States Design Patent**  
**Lazarini et al.**

(10) **Patent No.:** **US D957,580 S**  
(45) **Date of Patent:** **\*\* Jul. 12, 2022**

(54) **FAUCET HANDLE**

(71) Applicant: **DELTA FAUCET COMPANY,**  
Indianapolis, IN (US)

(72) Inventors: **Alejandra Lazarini,** Carmel, IN (US);  
**Celine Kwok Garland,** Zionsville, IN (US)

(73) Assignee: **DELTA FAUCET COMPANY,**  
Indianapolis, IN (US)

(\*\*) Term: **15 Years**

(21) Appl. No.: **29/749,947**

(22) Filed: **Sep. 10, 2020**

(51) **LOC (13) Cl.** ..... **23-01**

(52) **U.S. Cl.**  
USPC ..... **D23/252**

(58) **Field of Classification Search**  
USPC ..... D23/238-243, 250, 252, 254;  
D8/307-308

CPC ..... Y10T 137/9464  
See application file for complete search history.

(56) **References Cited**

**U.S. PATENT DOCUMENTS**

D433,735 S \* 11/2000 Lord ..... D23/250  
D434,118 S \* 11/2000 Lord ..... D23/250

D470,924 S \* 2/2003 Marshall ..... D23/257  
D490,502 S \* 5/2004 Ouyoung ..... D23/252  
D503,967 S \* 4/2005 Otero ..... D23/252  
D582,522 S \* 12/2008 Hanna ..... D23/250  
D591,834 S \* 5/2009 Williams ..... D23/252  
D941,432 S \* 1/2022 Elser ..... D23/252

\* cited by examiner

*Primary Examiner* — Robert A Delehanty

(74) *Attorney, Agent, or Firm* — Nirav D. Parikh; Edgar  
A. Zarins

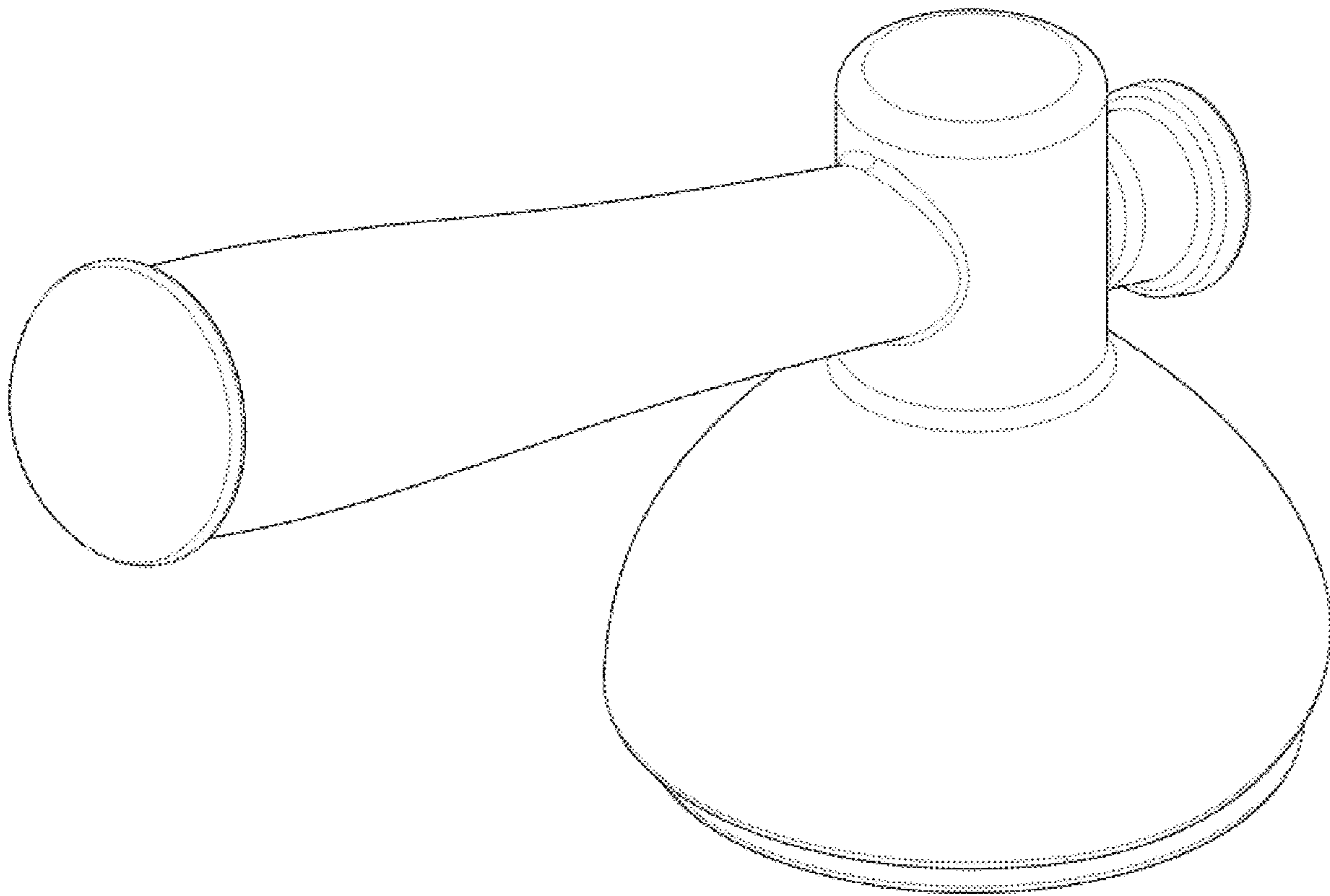
(57) **CLAIM**

The ornamental design for a faucet handle, as shown and described.

**DESCRIPTION**

FIG. 1 is a front perspective view of a faucet handle showing our new design;  
FIG. 2 is a rear perspective view thereof;  
FIG. 3 is a front elevational view thereof;  
FIG. 4 is a left side view thereof;  
FIG. 5 is a rear view thereof;  
FIG. 6 is a right side view thereof;  
FIG. 7 is a top plan view thereof; and,  
FIG. 8 is a bottom view thereof.

**1 Claim, 4 Drawing Sheets**



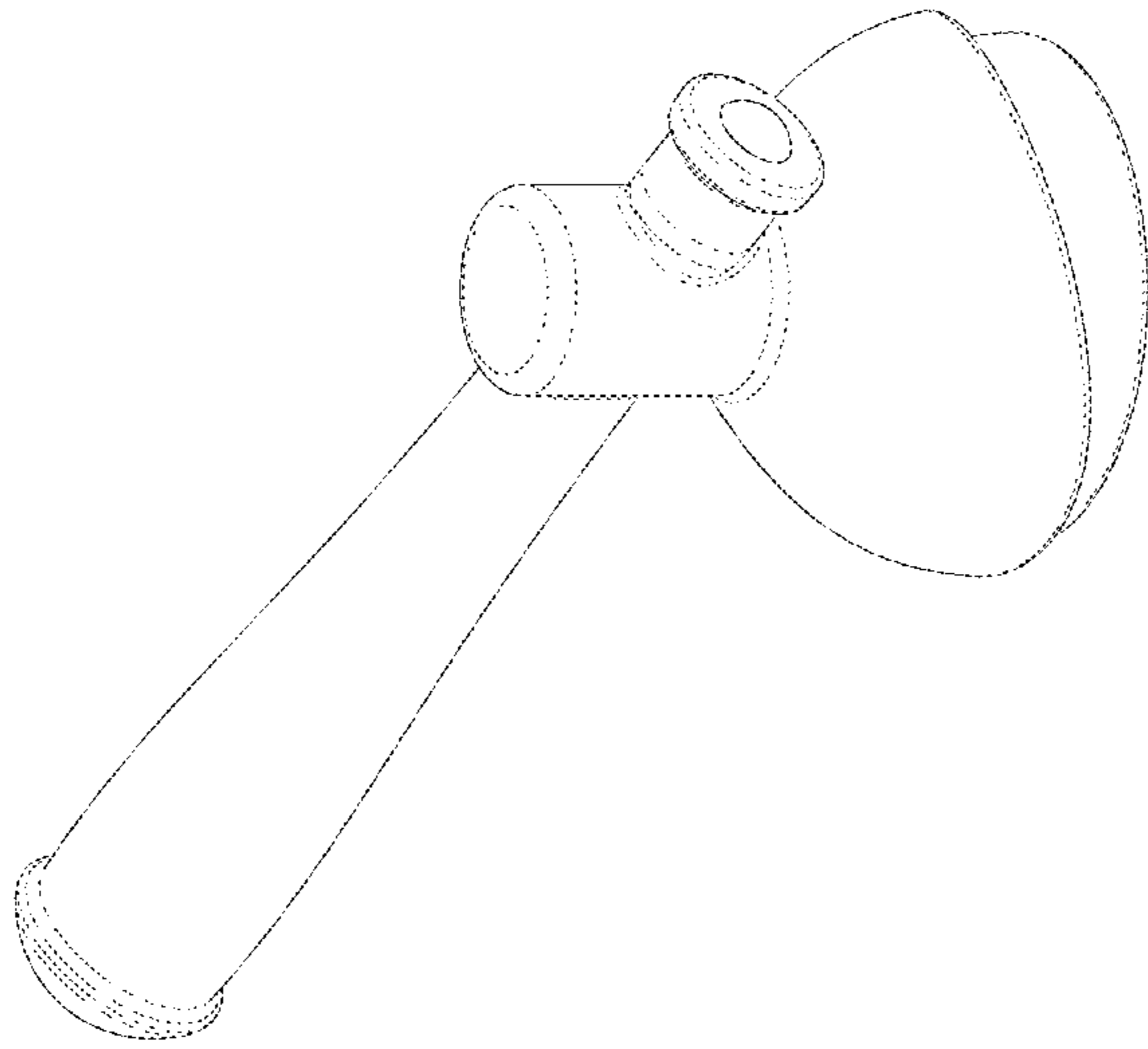


FIG - 2

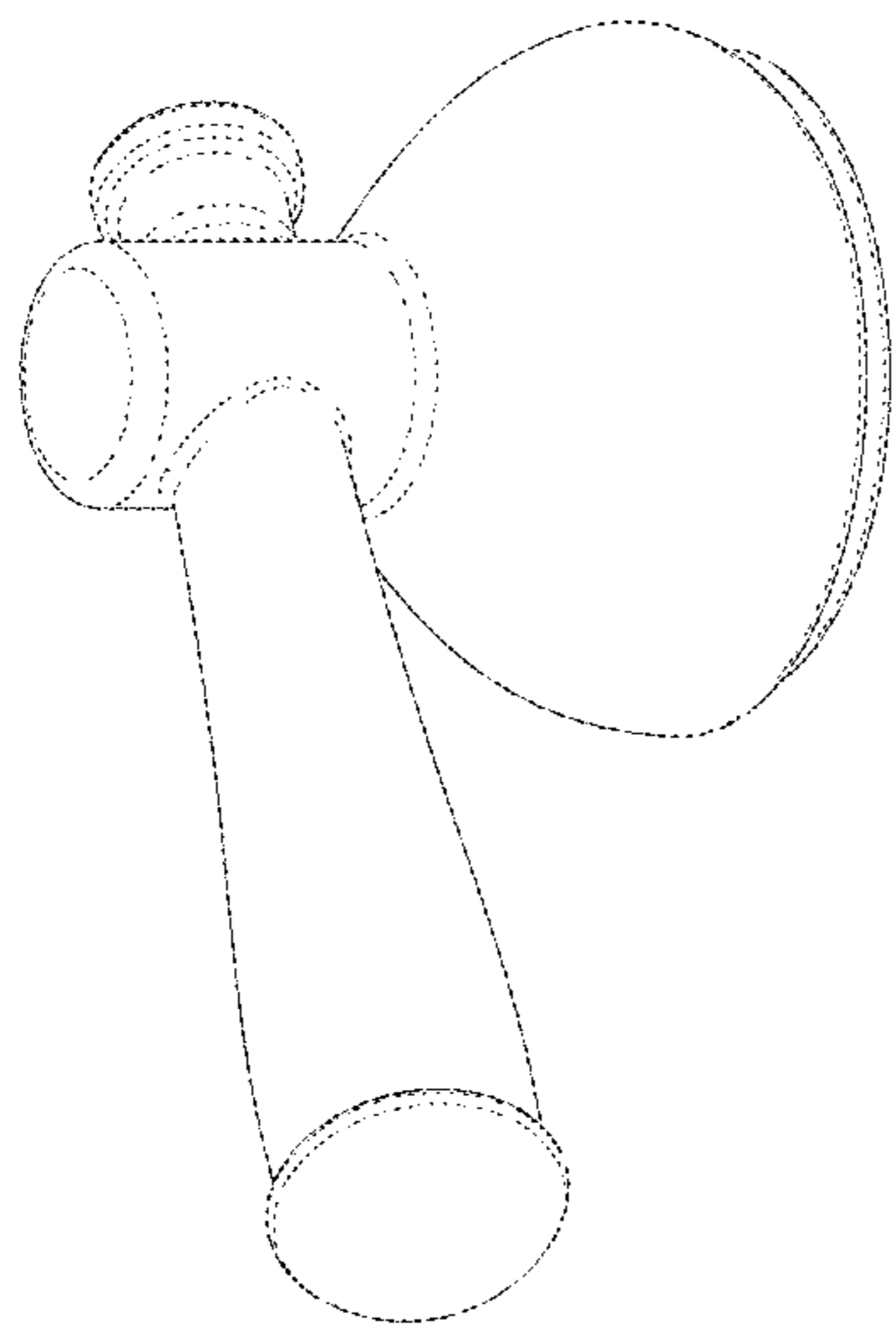


FIG - 1

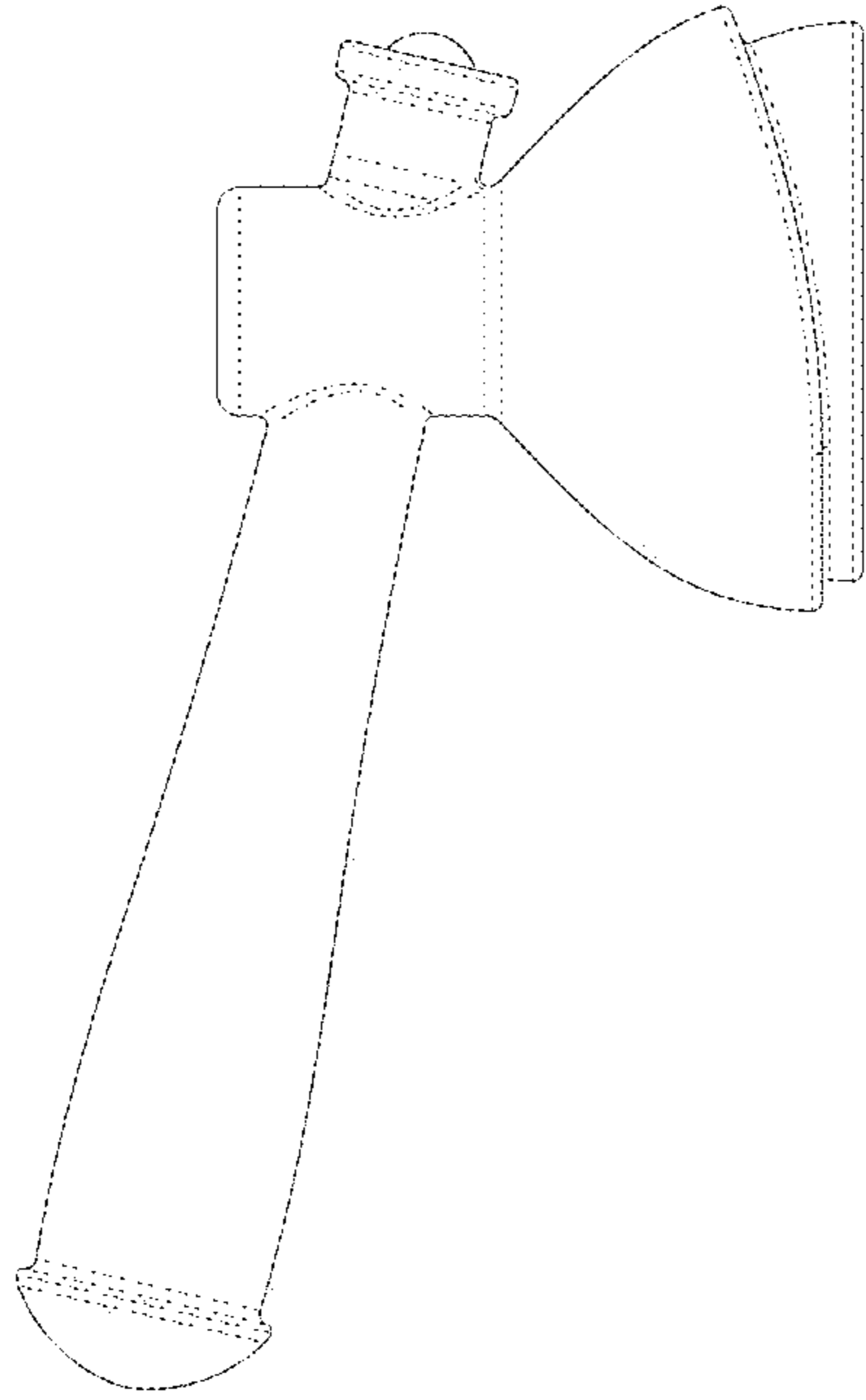


FIG - 4

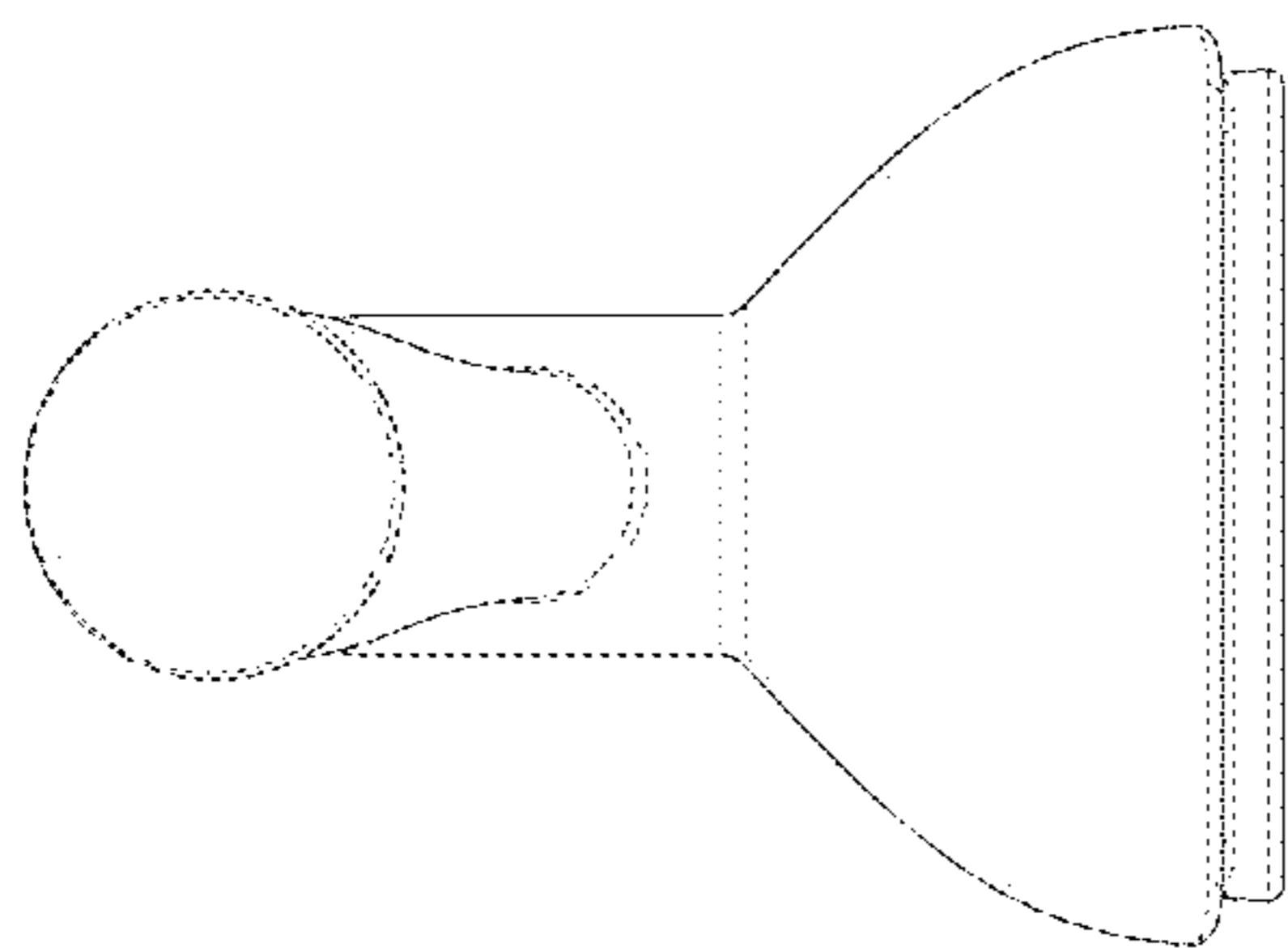


FIG - 3

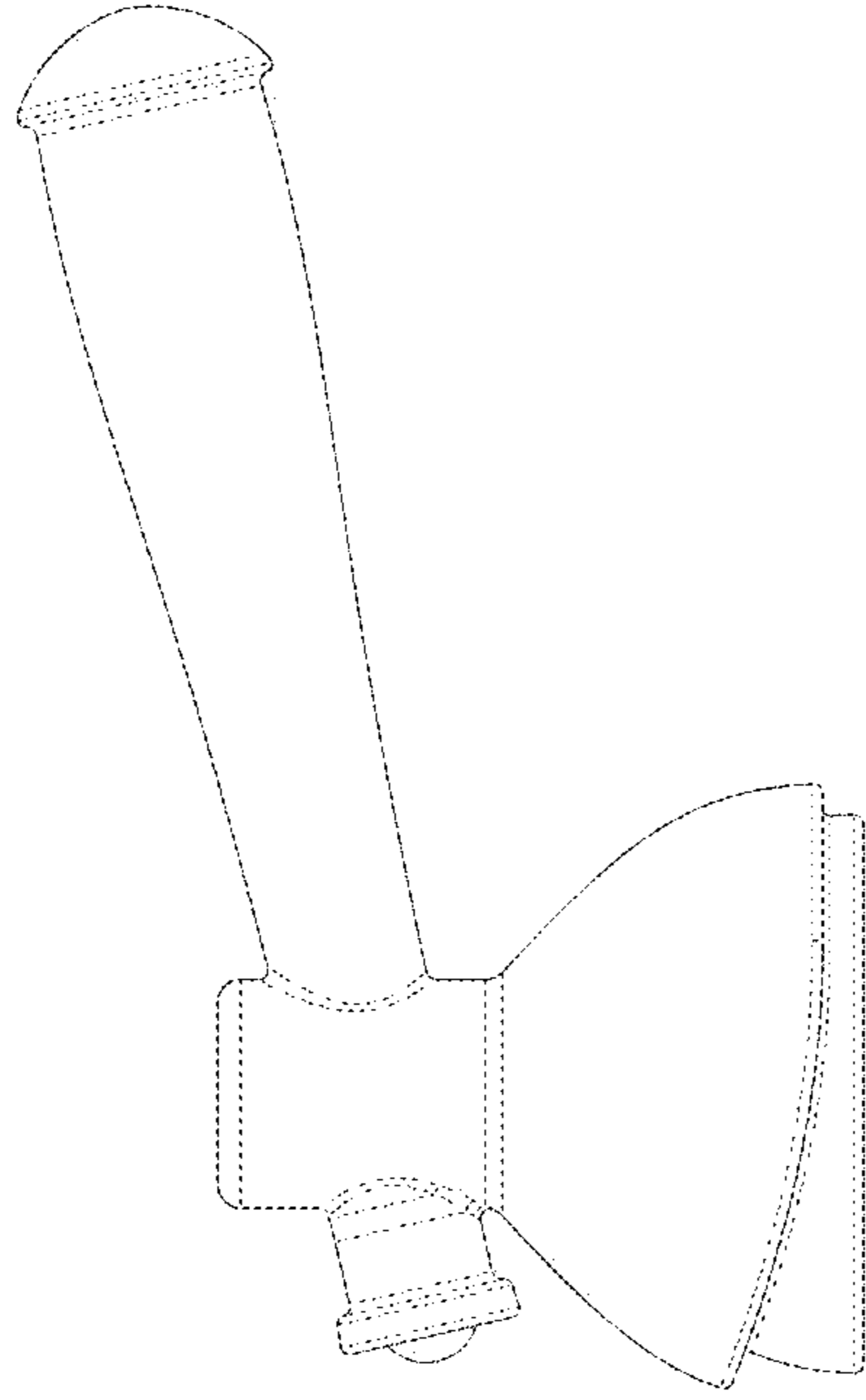


FIG - 6

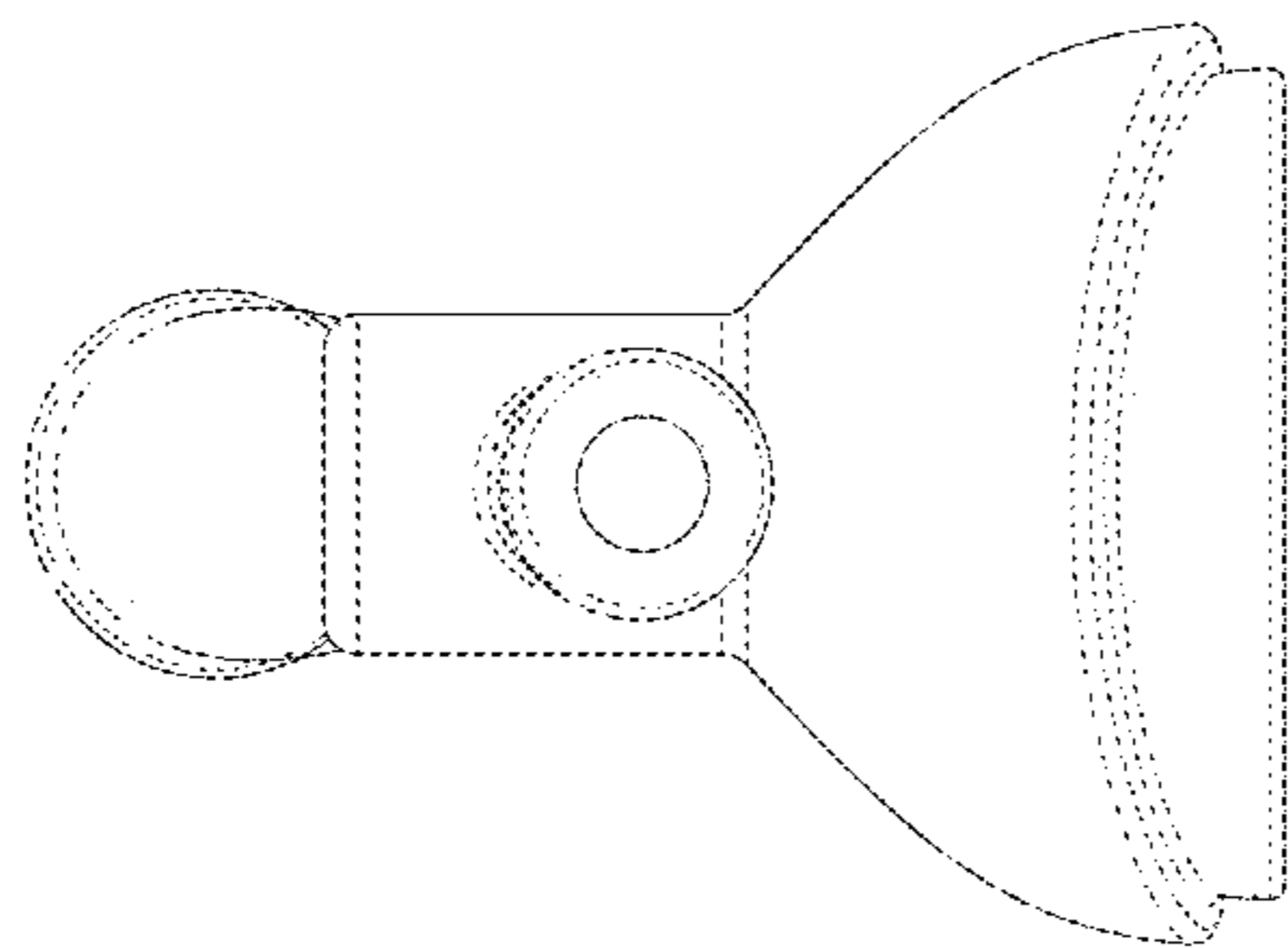


FIG - 5

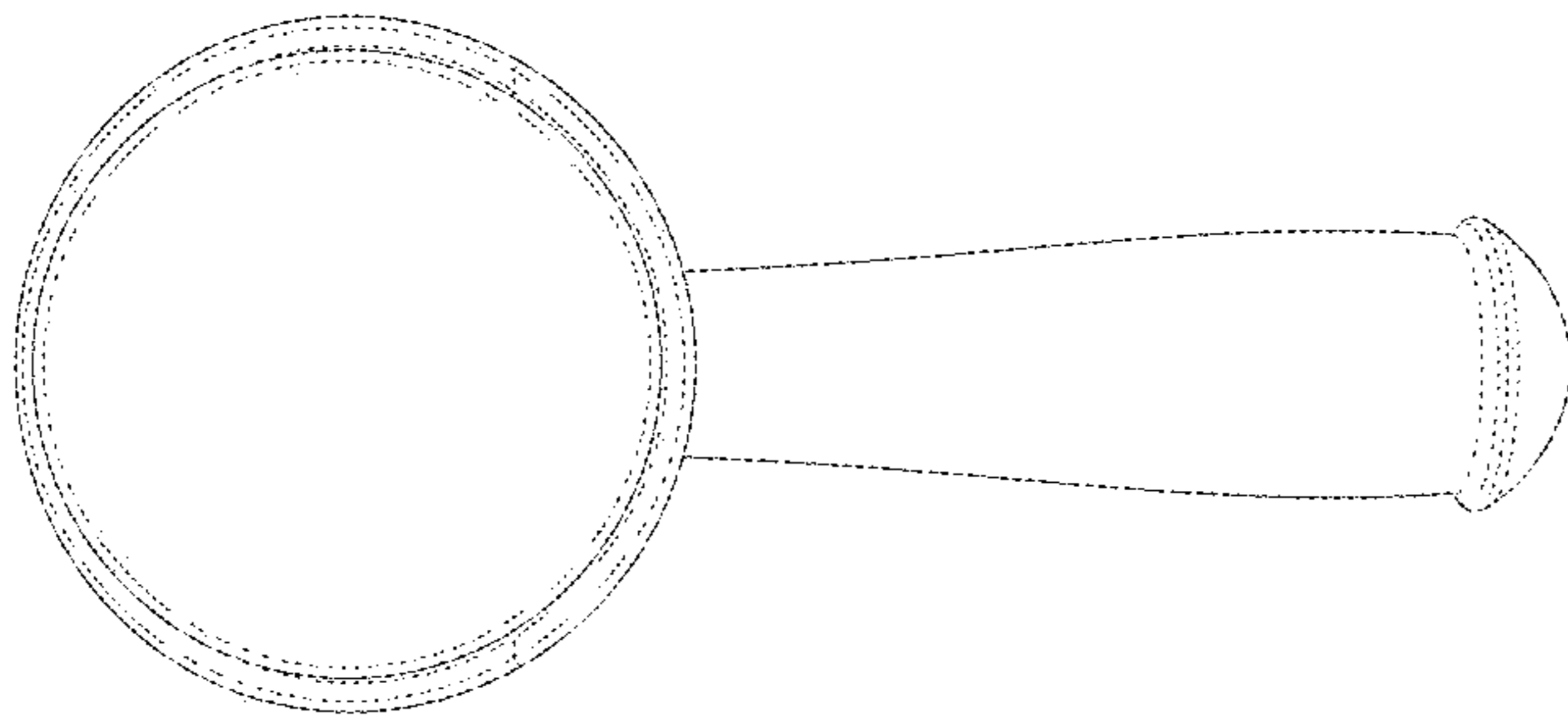


FIG - 8

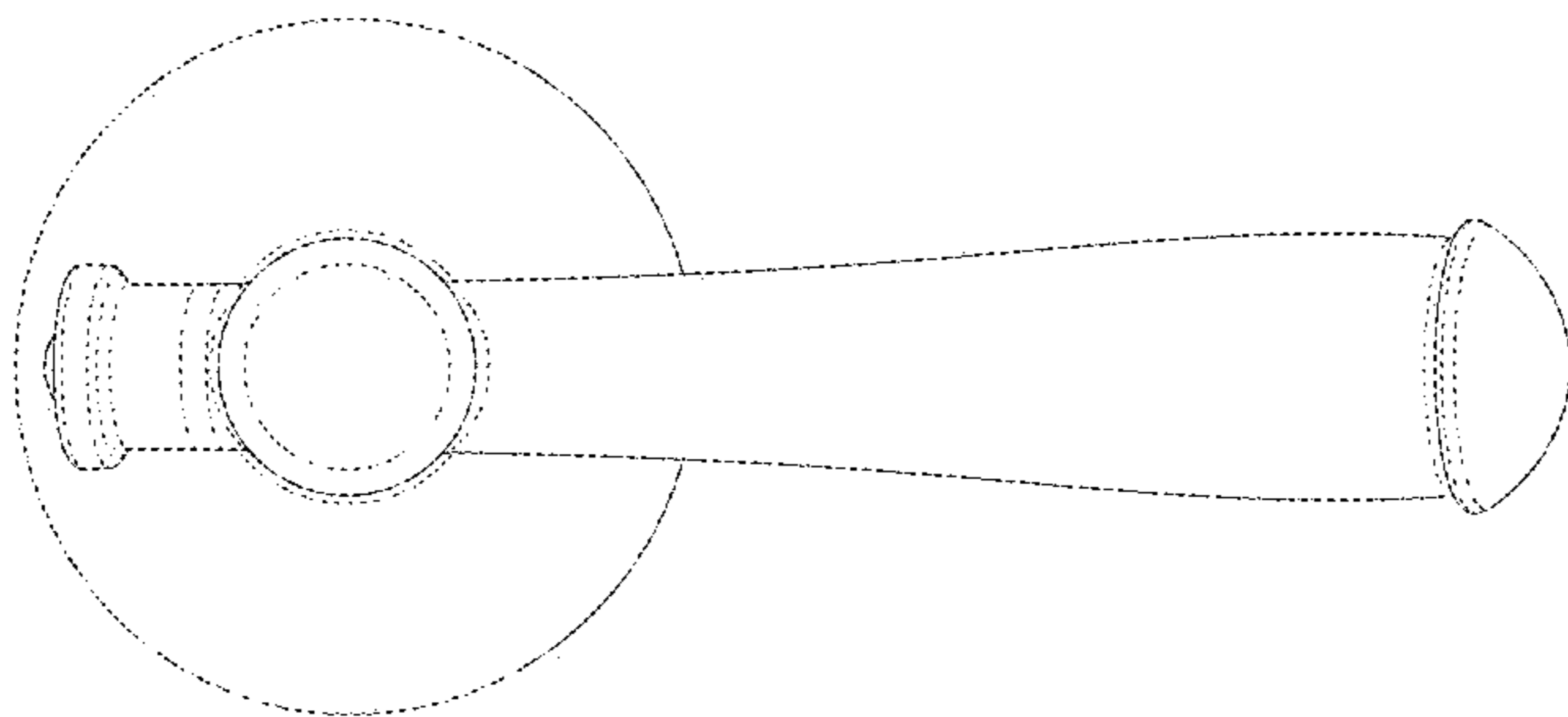


FIG - 7