

US00D957577S

(12) **United States Design Patent** (10) **Patent No.:** **US D957,577 S**
Upadhyaya (45) **Date of Patent:** **** Jul. 12, 2022**

(54) **FAUCET BODY**

(71) Applicant: **DELTA FAUCET COMPANY**,
Indianapolis, IN (US)
(72) Inventor: **Alexandra Upadhyaya**, Midlothian, VA
(US)
(73) Assignee: **DELTA FAUCET COMPANY**,
Indianapolis, IN (US)

(**) Term: **15 Years**

(21) Appl. No.: **29/755,037**

(22) Filed: **Oct. 16, 2020**

(51) **LOC (13) Cl.** **23-01**

(52) **U.S. Cl.**
USPC **D23/238**

(58) **Field of Classification Search**
USPC D23/238, 239, 240, 241, 242, 243, 244,
D23/245, 246, 247, 248, 249, 250, 251,
D23/252, 253, 254, 255, 256, 257, 259
CPC Y10T 137/9464; E03C 1/00; E03C 1/02;
E03C 1/04; E03C 1/042; E03C 1/044;
E03C 1/0402; E03C 1/0403; E03C
1/0405; E03C 1/0412

See application file for complete search history.

(56) **References Cited**

U.S. PATENT DOCUMENTS

D460,150	S	*	7/2002	Rexach	D23/238
D513,526	S	*	1/2006	Marshall	D23/238
D535,724	S	*	1/2007	Zhou	D23/238
D540,914	S	*	4/2007	Haug	D23/235
D544,945	S	*	6/2007	Wood	D23/238
D596,715	S	*	7/2009	Haug	D23/254
D825,031	S	*	8/2018	Haug	D23/238
D871,545	S	*	12/2019	Wang	D23/238

OTHER PUBLICATIONS

Amazon, SADALAK Black Kitchen Tap with Pull Down Sprayer,
posted Apr. 29, 2020, [online], [visited Nov. 5, 2021], Internet,
<URL: <https://www.amazon.co.uk/dp/B087X4Y1CB/ref>> (Year:
2020).*
Amazon, Beelee Commercial Kitchen Tap with Pull Down Sprayer,
posted May 8, 2017, [online], [visited Nov. 5, 2017], Internet,
<URL: <https://www.amazon.co.uk/dp/B07P99D4MQ/ref>> (Year:
2017).*

* cited by examiner

Primary Examiner — Samantha Wood

(74) *Attorney, Agent, or Firm* — Nirav D. Parikh; Edgar
A. Zarins

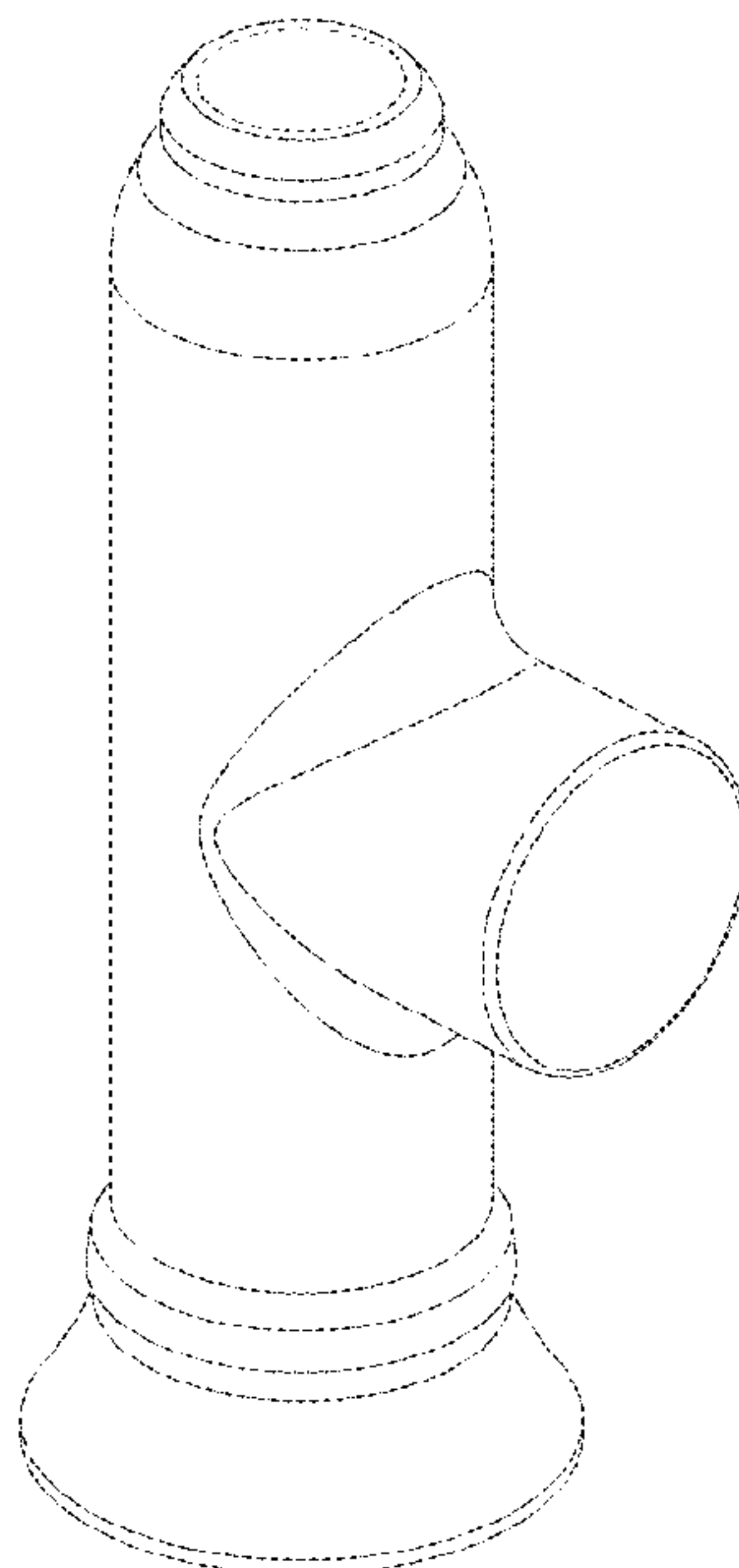
(57) **CLAIM**

The ornamental design for a faucet body, as shown and
described.

DESCRIPTION

FIG. 1 is a front perspective view of a faucet body showing
my new design;
FIG. 2 is rear perspective view thereof;
FIG. 3 is a front elevational view thereof;
FIG. 4 is a left side view thereof;
FIG. 5 is a rear view thereof;
FIG. 6 is a right side view thereof;
FIG. 7 is a top plan view thereof; and,
FIG. 8 is a bottom view thereof.
The broken lines are included for the purpose of illustrating
portions of the faucet body that forms no part of the claimed
design.

1 Claim, 4 Drawing Sheets



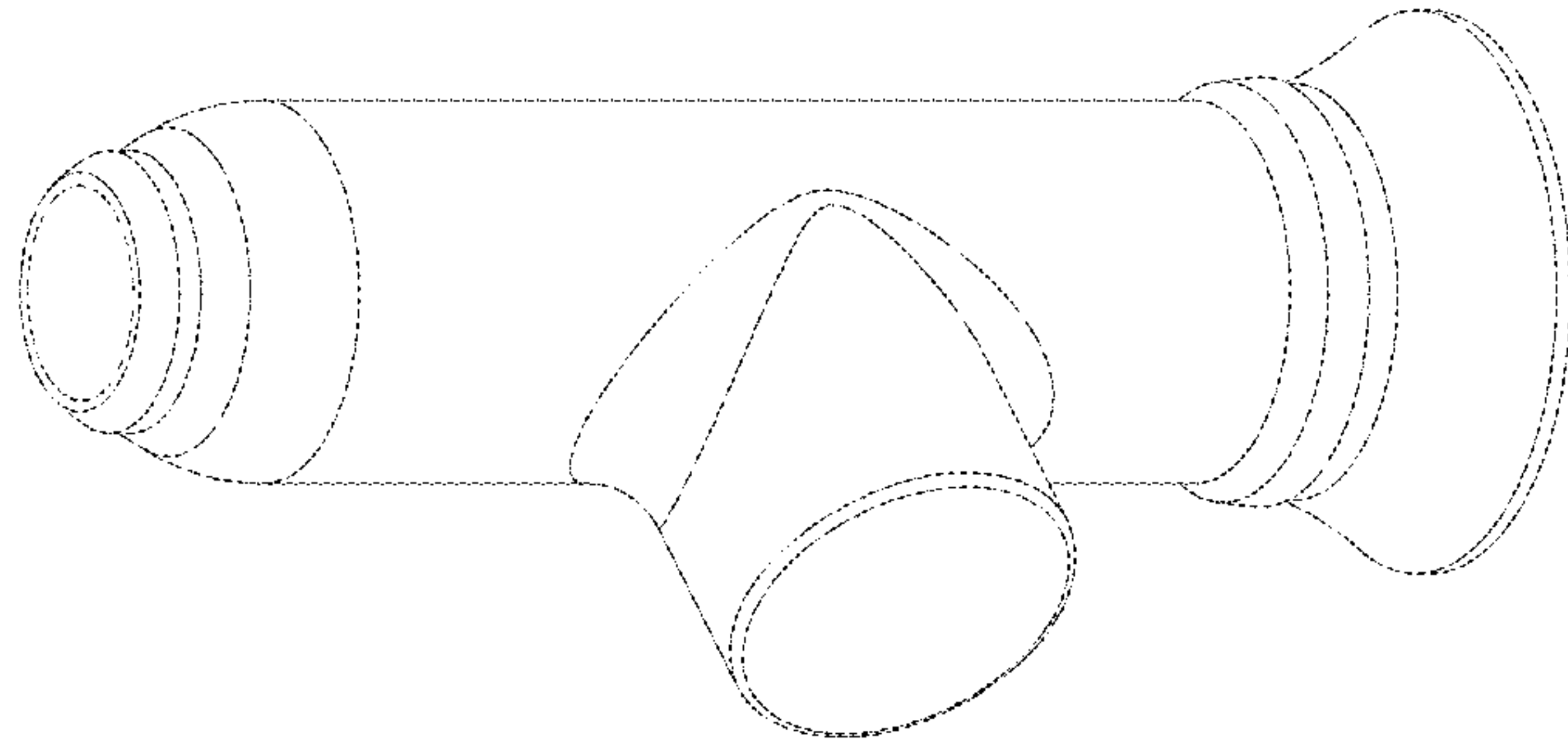


FIG - 2

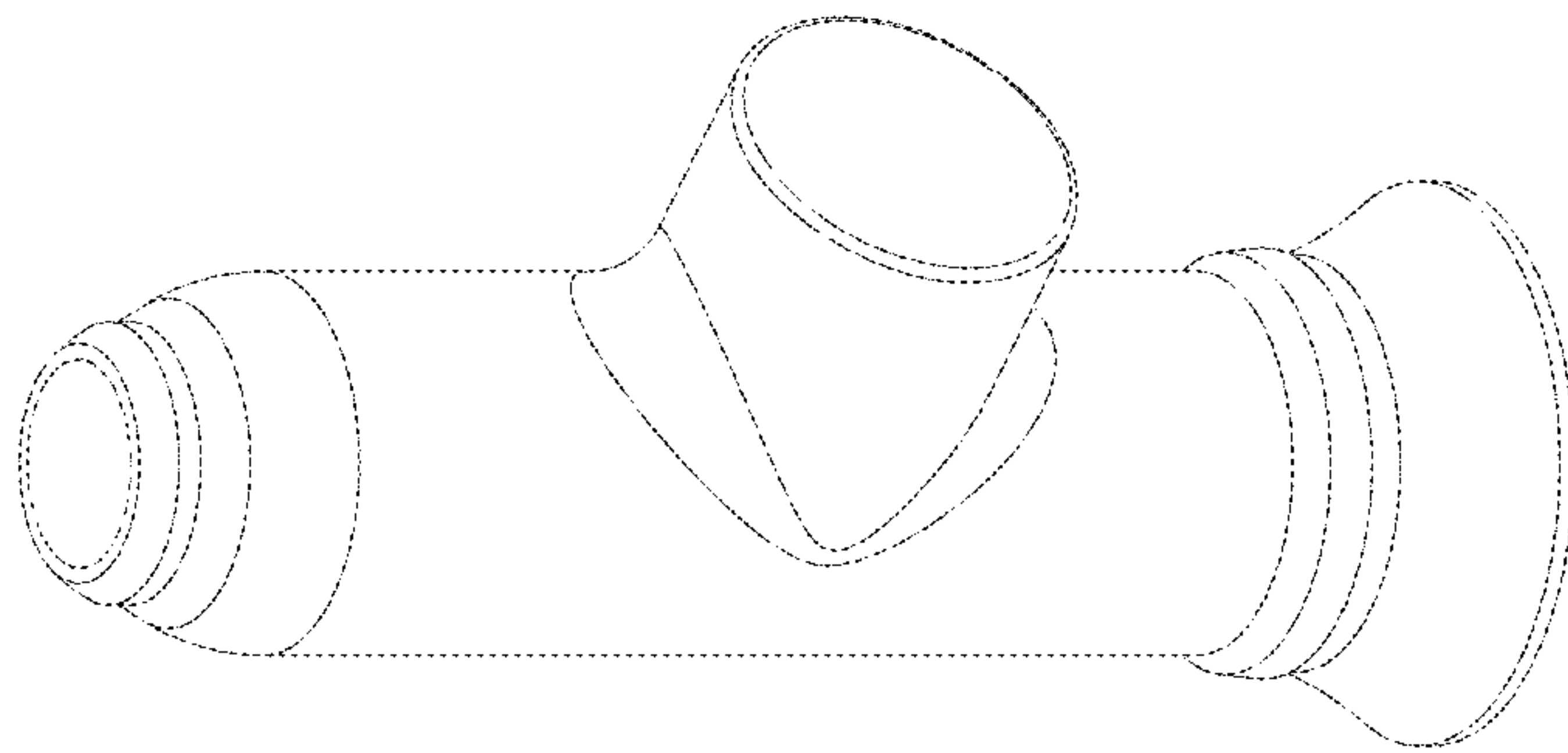


FIG - 1

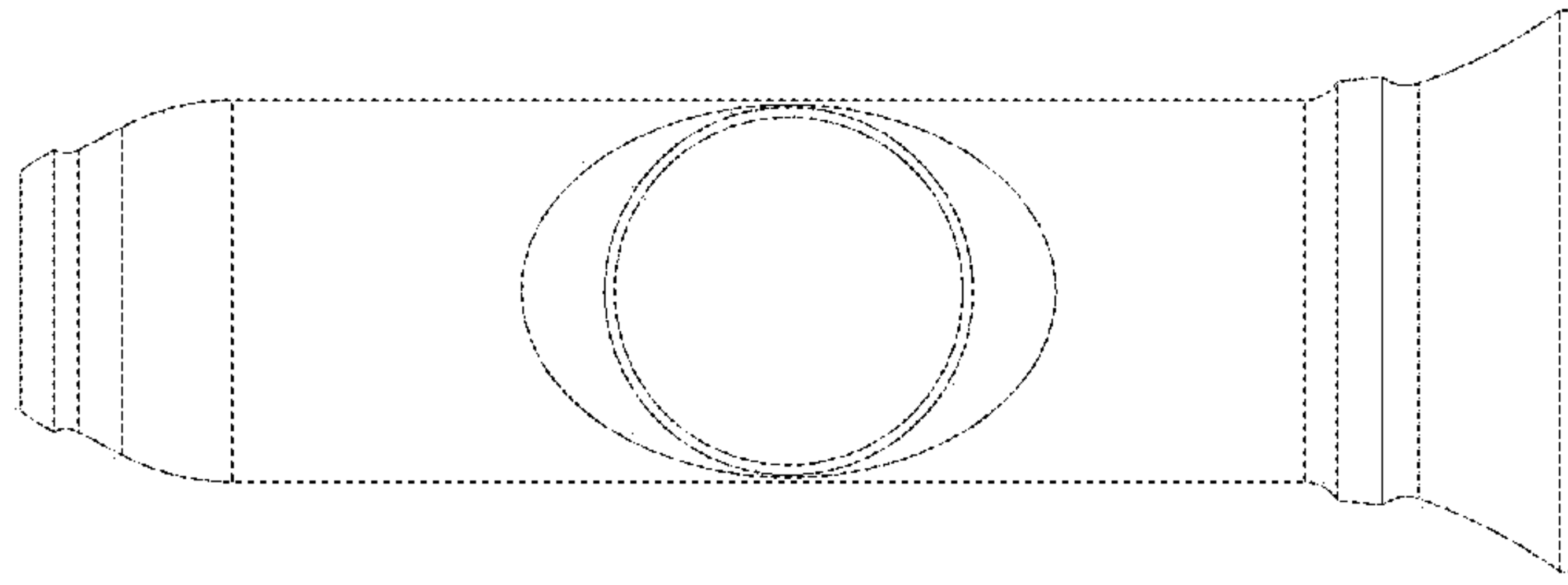


FIG - 4

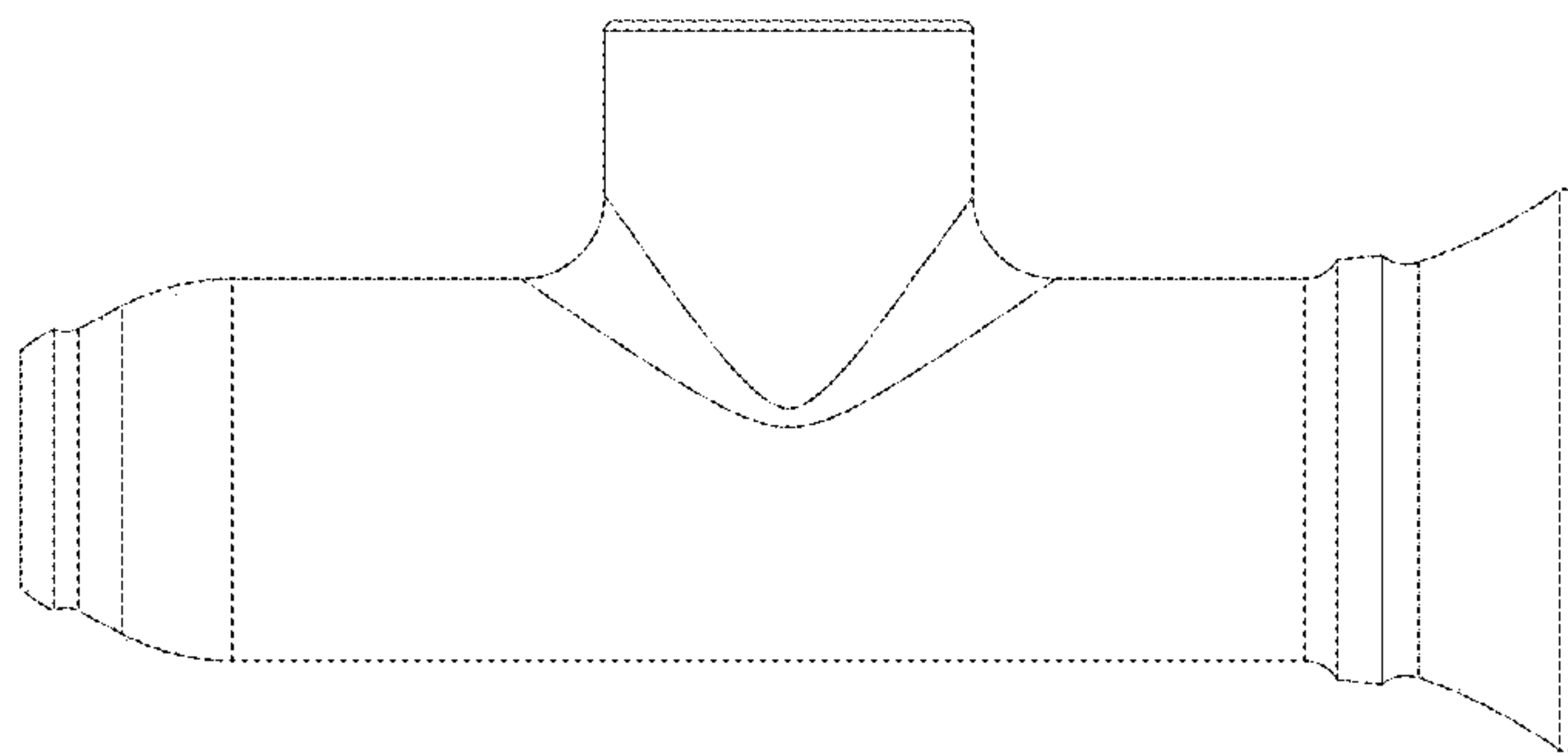


FIG - 3

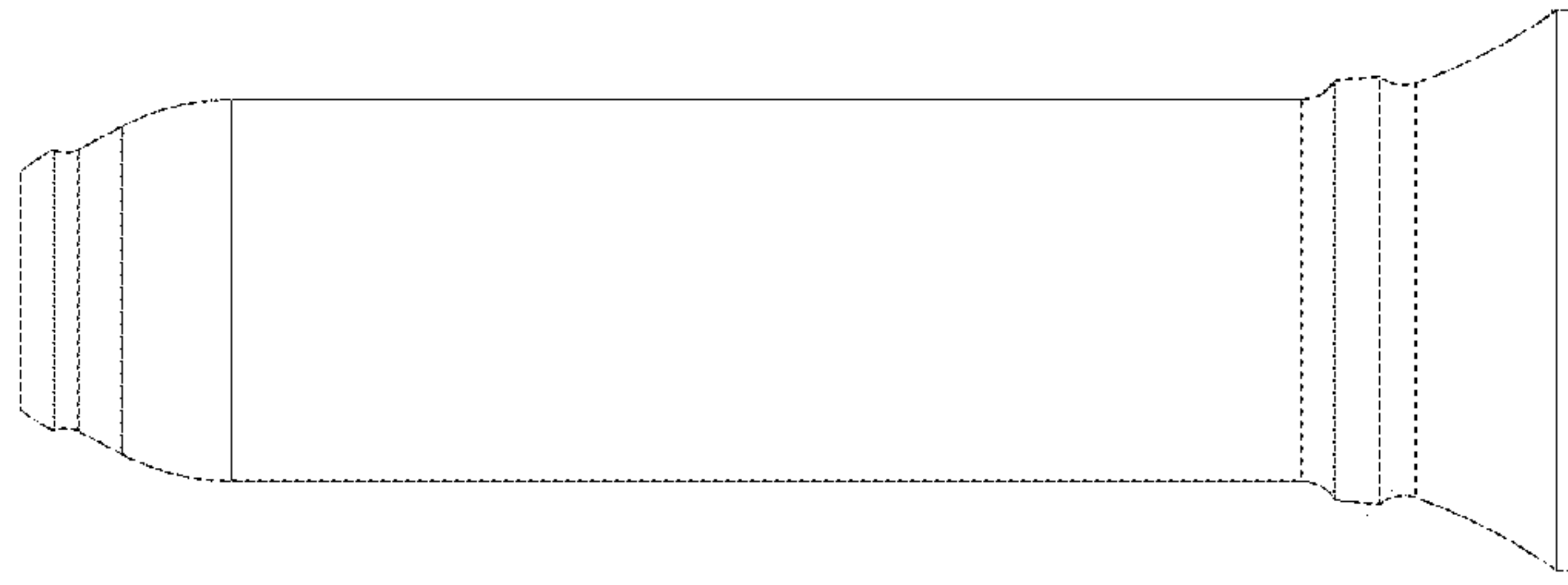


FIG - 6

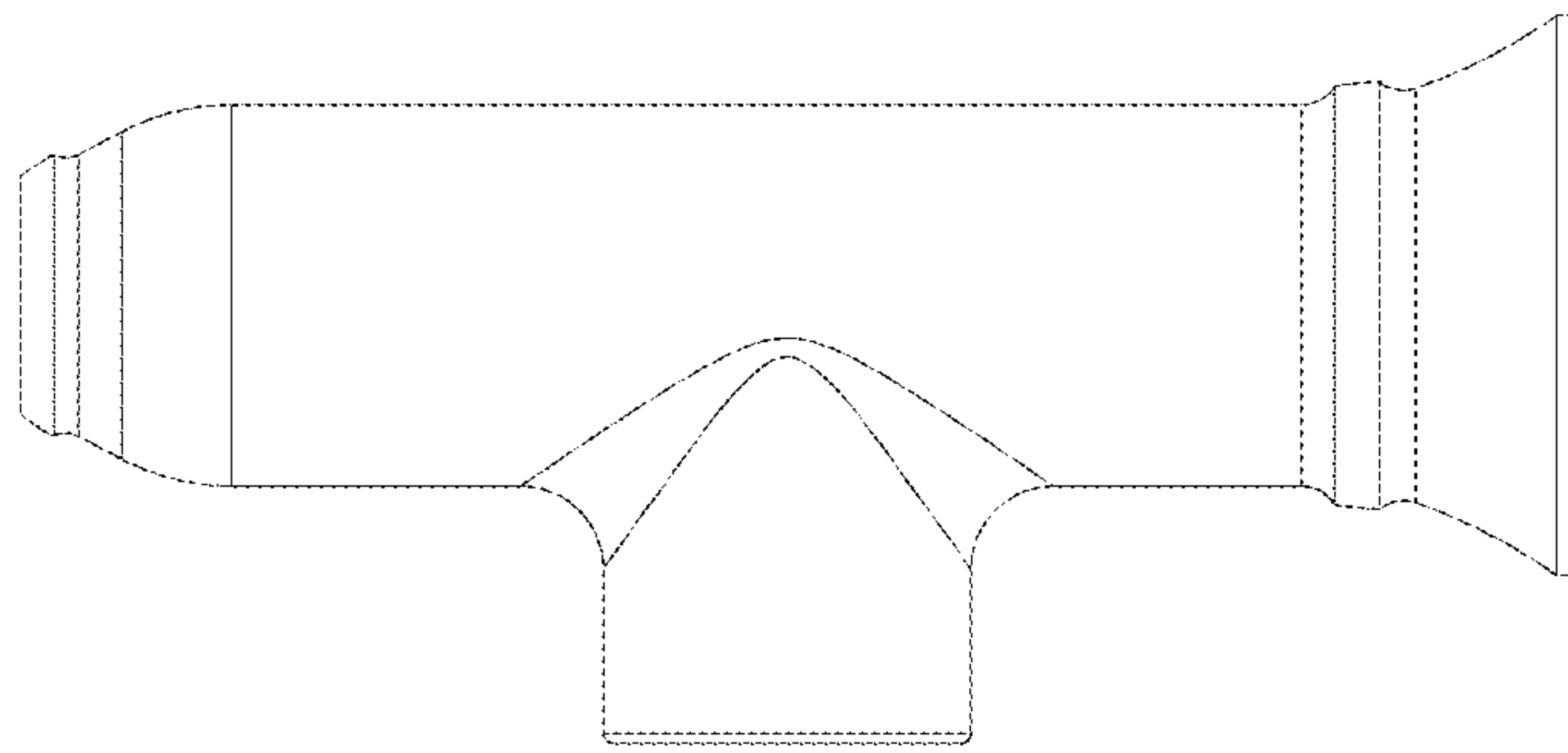


FIG - 5

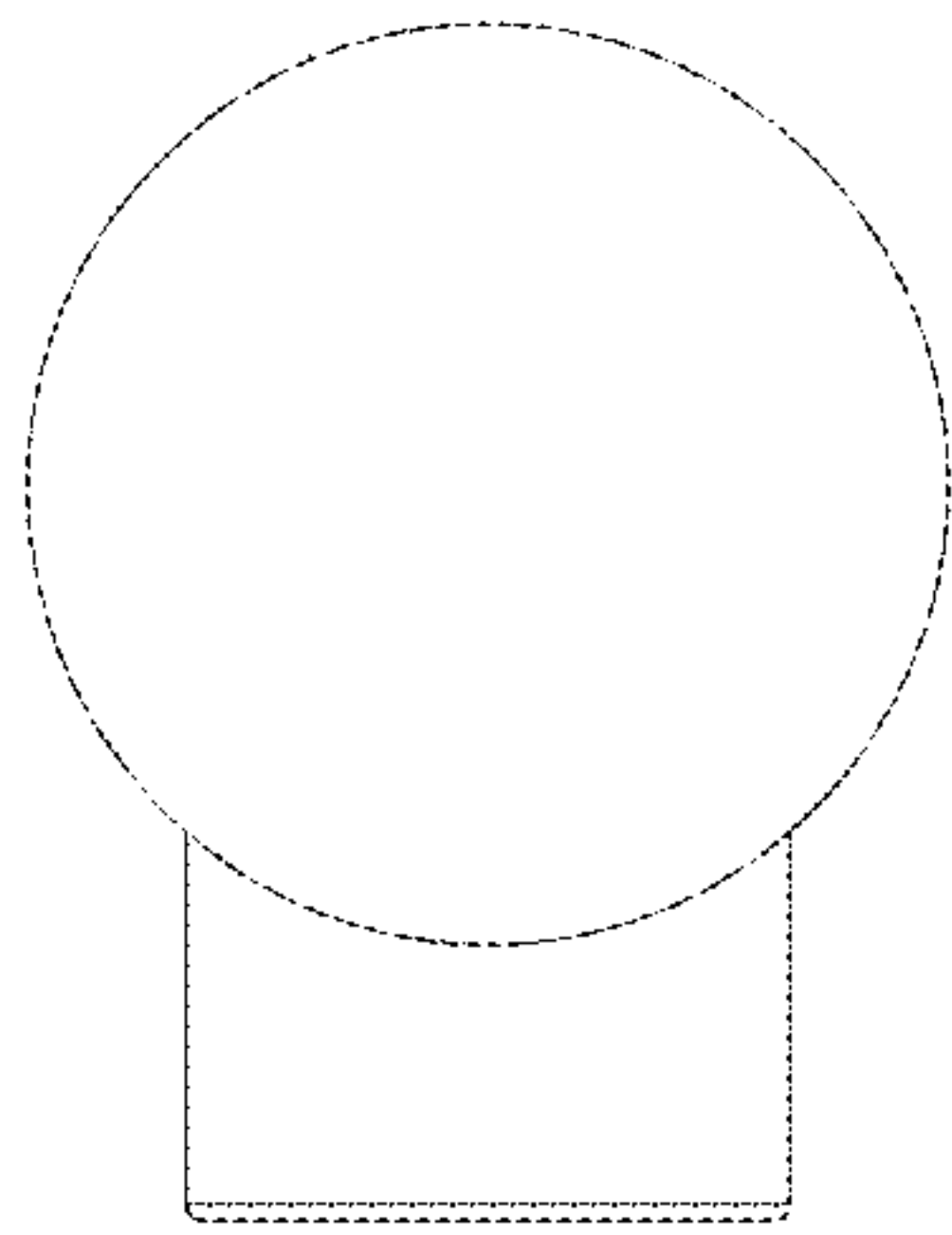


FIG - 8

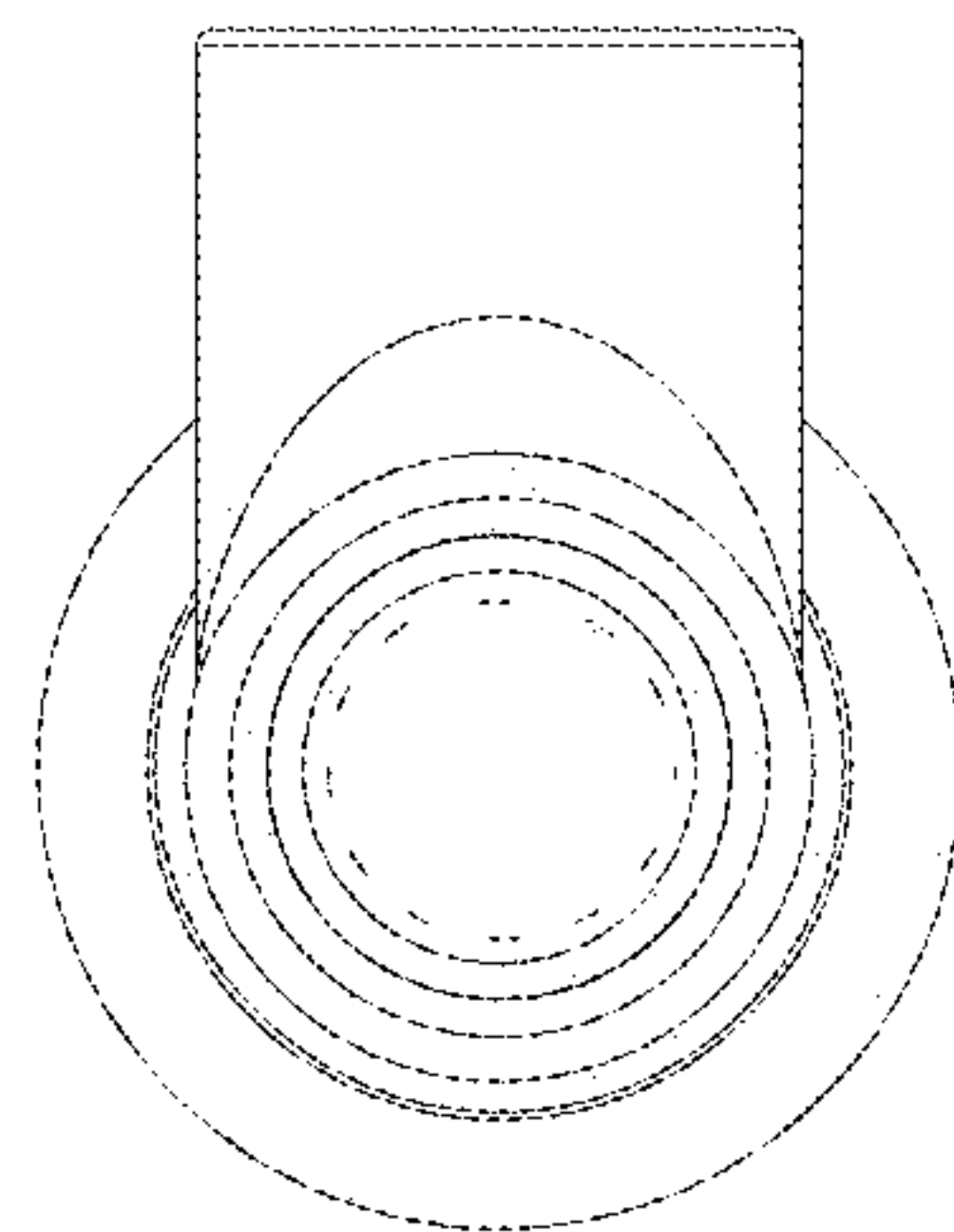


FIG - 7