



US00D957575S

(12) **United States Design Patent** (10) **Patent No.:** **US D957,575 S**  
**Downey et al.** (45) **Date of Patent:** **\*\* Jul. 12, 2022**

(54) **FAUCET**

FOREIGN PATENT DOCUMENTS

(71) Applicant: **Spectrum Brands, Inc.**, Middleton, WI (US)

CN 3372578 6/2004  
CN 3376237 6/2004

(Continued)

(72) Inventors: **David Downey**, Mission Viejo, CA (US); **Tony Zhang**, Xiamen (CN)

OTHER PUBLICATIONS

(73) Assignee: **Spectrum Brands, Inc.**, Middleton, WI (US)

Archtonic, Hansavantis Kitchen Faucet by Hansa Armaturen, [online], [visited Feb. 24, 2022]. Internet, <URL: <https://www.archtonic.com/en/product/hansa-armaturen-hansavantis-kitchen-faucet/20176244>> (Year: 2022).\*

(Continued)

(\*\*) Term: **15 Years**

*Primary Examiner* — Samantha Wood

(21) Appl. No.: **29/744,473**

(74) *Attorney, Agent, or Firm* — Banner & Witcoff, Ltd.

(22) Filed: **Jul. 29, 2020**

(57) **CLAIM**

(51) **LOC (13) Cl.** ..... **23-01**

The ornamental design for a faucet, as shown and described.

(52) **U.S. Cl.**

**DESCRIPTION**

USPC ..... **D23/238**

(58) **Field of Classification Search**

USPC ..... D23/238, 239, 240, 241, 242, 243, 246, D23/247, 248, 249, 250, 251, 252, 253, D23/254, 255, 256, 257

CPC . E03C 1/01; E03C 1/0409; E03C 1/04; E03C 1/0401; E03C 1/025; E03C 1/0408; E03C 1/0402; E03C 1/0405; E03C 1/0412; Y10T 137/5339; Y10T 137/6014; Y10T 137/6021

See application file for complete search history.

FIG. 1 is a front perspective view of a faucet showing our new design;  
FIG. 2 is a left side view thereof;  
FIG. 3 is a right side view thereof;  
FIG. 4 is a front view thereof;  
FIG. 5 is a rear view thereof;  
FIG. 6 is a top view thereof;  
FIG. 7 is a bottom view thereof;  
FIG. 8 is a front perspective view of a second embodiment of a faucet showing our new design;  
FIG. 9 is a left side view thereof;  
FIG. 10 is a right side view thereof;  
FIG. 11 is a front view thereof;  
FIG. 12 is a rear view thereof;  
FIG. 13 is a top view thereof; and,  
FIG. 14 is a bottom view thereof.

The broken lines immediately adjacent to the photographic area define the bounds of the claimed design and form no part thereof. The unshaded areas within the broken lines form no part of the claimed design.

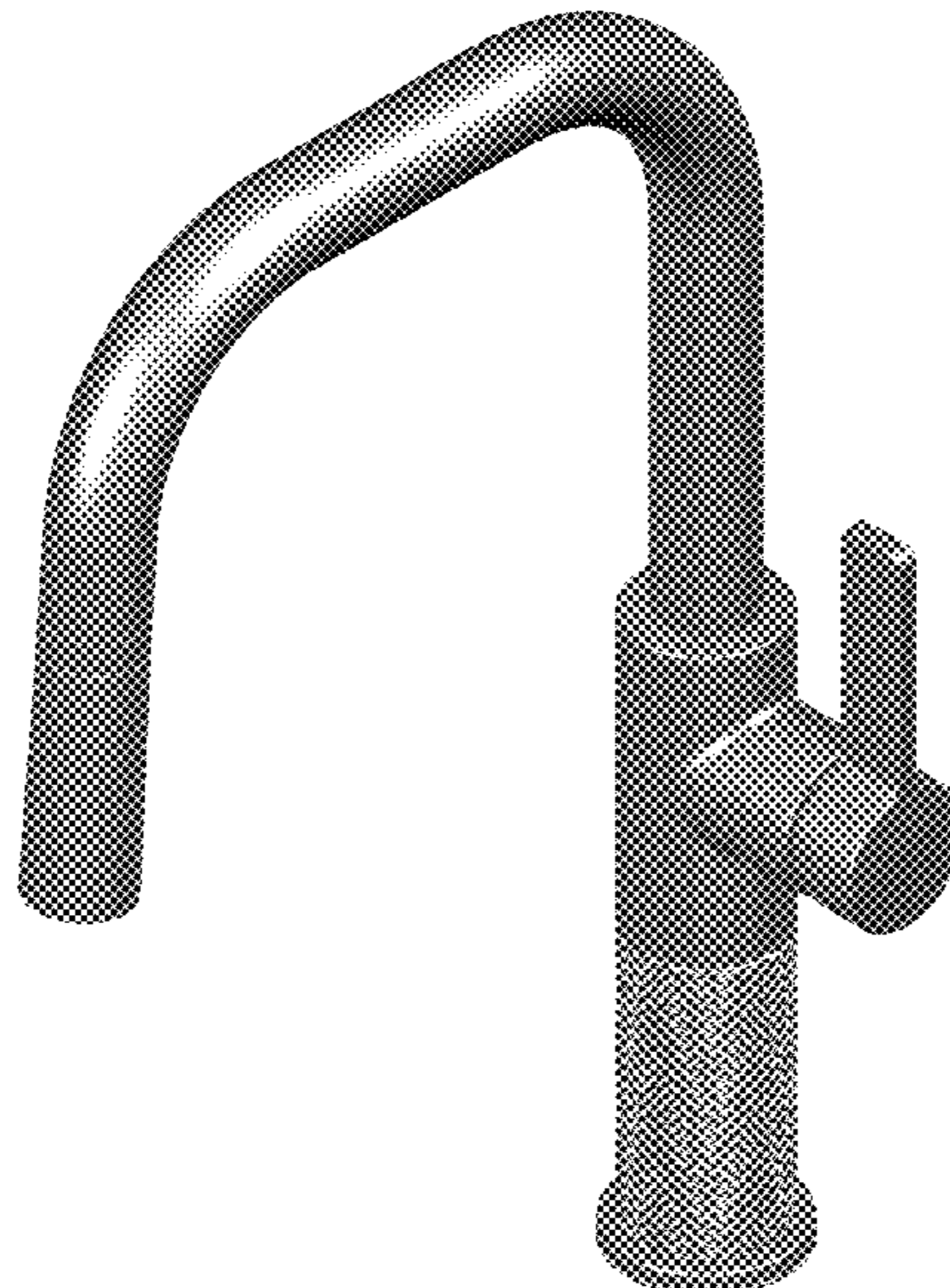
(56) **References Cited**

U.S. PATENT DOCUMENTS

D254,801 S 4/1980 Santi  
D322,658 S 12/1991 Kohler, Jr. et al.  
D322,841 S 12/1991 Kohler, Jr. et al.  
D406,323 S 3/1999 Snyder  
D440,633 S 4/2001 Fleischmann  
D443,337 S 6/2001 Mark et al.

(Continued)

**1 Claim, 14 Drawing Sheets**



(56)

References Cited

U.S. PATENT DOCUMENTS

D461,540 S 8/2002 Gottwald  
 D462,421 S 9/2002 Hundley  
 D466,979 S 12/2002 Shulz  
 D472,308 S 3/2003 Hundley  
 D479,309 S 9/2003 Haug et al.  
 D481,445 S \* 10/2003 Haug ..... D23/238  
 D487,586 S 3/2004 Haug et al.  
 D491,633 S \* 6/2004 Ouyoung ..... D23/255  
 D510,126 S 9/2005 Ouyoung  
 D513,526 S 1/2006 Marshall  
 D519,190 S 4/2006 Lord  
 D521,109 S 5/2006 Lord  
 D526,389 S 8/2006 Lammel et al.  
 D531,698 S 11/2006 Wood et al.  
 D531,702 S 11/2006 Haug et al.  
 D532,866 S \* 11/2006 Kirar ..... D23/255  
 D534,622 S 1/2007 Chu et al.  
 D538,402 S 3/2007 Lammel et al.  
 D564,634 S 3/2008 Kirar  
 D566,242 S 4/2008 Kohler, Jr. et al.  
 D567,908 S 4/2008 Semchuck et al.  
 D570,960 S 6/2008 Semchuck et al.  
 D581,025 S 11/2008 Schoenherr et al.  
 D605,258 S 12/2009 Rubin et al.  
 D607,544 S 1/2010 Roy  
 D612,015 S 3/2010 Lammel et al.  
 D615,622 S \* 5/2010 Pan ..... D23/238  
 D615,628 S 5/2010 Allard  
 D617,424 S 6/2010 Hanna  
 D624,989 S 10/2010 Sieger  
 D626,198 S 10/2010 Lammel et al.  
 D629,873 S 12/2010 Roy  
 D635,220 S \* 3/2011 Rubin ..... D23/238  
 D635,221 S 3/2011 Rubin et al.  
 D635,648 S \* 4/2011 Schoenherr ..... D23/255  
 D645,940 S 9/2011 Ando et al.  
 D652,899 S 1/2012 Citterio  
 D662,183 S 6/2012 Sieger  
 D662,185 S 6/2012 Sieger  
 D664,244 S 7/2012 Flowers et al.  
 D665,052 S 8/2012 Wang  
 D677,366 S 3/2013 Chen  
 D685,878 S 7/2013 Fritz  
 D693,906 S 11/2013 Zhang et al.  
 D697,588 S 1/2014 Schoenherr et al.  
 D703,790 S 4/2014 Mazz et al.  
 D715,406 S 10/2014 Bomatter et al.  
 D723,665 S 3/2015 Kulig  
 D726,880 S 4/2015 Kington et al.  
 D734,433 S 7/2015 Sieger  
 D735,297 S 7/2015 Sieger  
 D735,299 S 7/2015 Sieger  
 D737,937 S 9/2015 Flowers et al.  
 D741,453 S 10/2015 Bahler  
 D756,487 S 5/2016 Fritz  
 D759,206 S 6/2016 Moerman  
 D762,285 S 7/2016 Jepson et al.  
 D764,631 S 8/2016 Schoenherr et al.  
 D786,405 S 5/2017 Schaubach  
 D787,020 S 5/2017 Ziemann et al.  
 RE46,484 E 7/2017 Hanna  
 D797,240 S 9/2017 Potter  
 D797,241 S 9/2017 Potter  
 D797,249 S 9/2017 Downey  
 D800,876 S 10/2017 Chen  
 D803,987 S 11/2017 Ruzza  
 D803,988 S 11/2017 Niu et al.  
 D809,103 S 1/2018 Schoenherr et al.  
 D809,107 S 1/2018 Schoenherr et al.  
 D810,236 S 2/2018 Schoenherr et al.  
 D810,889 S 2/2018 Bahler  
 D822,170 S 7/2018 Haug et al.  
 D823,435 S 7/2018 He  
 D825,720 S 8/2018 Zeng  
 D828,500 S 9/2018 Schoenherr et al.

D828,503 S 9/2018 Schoenherr et al.  
 D828,508 S 9/2018 Fritz  
 D828,510 S 9/2018 Zeisel et al.  
 D835,236 S 12/2018 Ziemann et al.  
 D835,237 S 12/2018 Ziemann et al.  
 D837,945 S 1/2019 Soulier et al.  
 D839,392 S 1/2019 Cummings et al.  
 D845,439 S 4/2019 Zhang  
 D846,077 S 4/2019 Liu  
 D846,709 S 4/2019 Chen  
 D847,950 S 5/2019 Zhang  
 D847,951 S 5/2019 Zhang  
 D849,201 S 5/2019 Zhang  
 D849,202 S 5/2019 Zhang  
 D849,203 S 5/2019 Zhang  
 D852,325 S 6/2019 Eads  
 D853,527 S 7/2019 Eads  
 D855,154 S 7/2019 Williams et al.  
 D856,485 S 8/2019 Gessi  
 D860,392 S 9/2019 Garland  
 D860,395 S 9/2019 Seum et al.  
 D860,396 S 9/2019 Seum et al.  
 D860,398 S 9/2019 Chen  
 D862,651 S 10/2019 Zeng  
 D863,507 S 10/2019 Zhang  
 D863,511 S 10/2019 Meyers et al.  
 D863,512 S \* 10/2019 Meyers ..... D23/255  
 D867,532 S 11/2019 Liao  
 D867,536 S 11/2019 Soulier et al.  
 D868,211 S 11/2019 Garland  
 D868,212 S 11/2019 Diefenbach et al.  
 D868,938 S 12/2019 Tentler  
 D868,939 S 12/2019 Bahler  
 D869,610 S 12/2019 Garland  
 D870,851 S 12/2019 Tentler  
 D870,852 S 12/2019 Eads  
 D870,853 S 12/2019 Garland  
 D871,545 S 12/2019 Wang  
 D871,546 S 12/2019 Bahler  
 D871,547 S 12/2019 Eads  
 D871,548 S 12/2019 Tentler  
 D871,549 S 12/2019 Eads  
 D871,557 S 12/2019 Judge  
 D872,234 S 1/2020 Stoler  
 D872,235 S 1/2020 Garland  
 D872,238 S 1/2020 Meyers et al.  
 D873,379 S 1/2020 Fritz  
 D873,380 S 1/2020 Judge  
 D873,960 S 1/2020 Fritz  
 D912,775 S \* 3/2021 Yang ..... D23/238  
 D913,441 S \* 3/2021 He ..... D23/238  
 D914,847 S \* 3/2021 Zhang ..... D23/238  
 D941,960 S \* 1/2022 Zeff ..... D23/242  
 D941,963 S \* 1/2022 Abel ..... D23/242  
 2017/0058496 A1 \* 3/2017 Chiu ..... E03C 1/0405  
 2018/0080203 A1 \* 3/2018 Frye ..... E03C 1/04  
 2018/0141068 A1 \* 5/2018 Chiu ..... E03C 1/10

FOREIGN PATENT DOCUMENTS

CN 300751103 2/2008  
 CN 300865383 12/2008  
 CN 300913245 4/2009  
 CN 301344217 9/2010  
 CN 301433748 1/2011  
 CN 301433771 1/2011  
 CN 301465793 2/2011  
 CN 301539295 5/2011  
 CN 301539296 5/2011  
 CN 301840819 2/2012  
 CN 301868060 3/2012  
 CN 301873053 3/2012  
 CN 302021896 8/2012  
 CN 302112347 10/2012  
 CN 302203654 11/2012  
 CN 302203657 11/2012  
 CN 302269797 1/2013  
 CN 302280679 1/2013  
 CN 302327392 2/2013

(56)		References Cited			
		FOREIGN PATENT DOCUMENTS			
CN	302384446	4/2013	CN	304858778	10/2018
CN	302424485	5/2013	CN	304869966	10/2018
CN	302511624	7/2013	CN	304869968	10/2018
CN	302519385	7/2013	CN	304888458	11/2018
CN	302527702	8/2013	CN	304888468	11/2018
CN	302589600	9/2013	CN	304909327	11/2018
CN	302632190	11/2013	CN	304909328	11/2018
CN	302662743	11/2013	CN	304909329	11/2018
CN	302662836	11/2013	CN	304909330	11/2018
CN	302782233	4/2014	CN	304909332	11/2018
CN	302830604	5/2014	CN	304913779	11/2018
CN	303006068	11/2014	CN	304941210	12/2018
CN	303006085	11/2014	CN	304946872	12/2018
CN	303034521	12/2014	CN	304981720	1/2019
CN	303090515	1/2015	CN	304993597	1/2019
CN	303090517	1/2015	CN	305004592	1/2019
CN	303090518	1/2015	CN	305011292	1/2019
CN	303096464	2/2015	CN	305018402	1/2019
CN	303108616	2/2015	CN	305018404	1/2019
CN	303120232	3/2015	CN	305023553	2/2019
CN	303277420	7/2015	CN	305029024	2/2019
CN	303440984	11/2015	CN	305042347	2/2019
CN	303510567	12/2015	CN	305054932	3/2019
CN	303552466	1/2016	CN	305054962	3/2019
CN	303566091	1/2016	CN	305054985	3/2019
CN	303649063	4/2016	CN	201930118267.4	* 3/2019
CN	303677890	5/2016	CN	305110434	4/2019
CN	303703275	6/2016	CN	305115988	4/2019
CN	303730106	6/2016	CN	305120785	4/2019
CN	303795088	8/2016	CN	305120786	4/2019
CN	303817594	8/2016	CN	305161702	5/2019
CN	303864012	9/2016	CN	305197243	6/2019
CN	303864016	9/2016	CN	305204497	6/2019
CN	303907475	11/2016	CN	305211885	6/2019
CN	303935686	11/2016	CN	305223564	6/2019
CN	303935853	11/2016	CN	305237437	6/2019
CN	303989338	12/2016	CN	305256363	7/2019
CN	304074404	3/2017	CN	305256375	7/2019
CN	304082557	3/2017	CN	305256382	7/2019
CN	304112445	4/2017	CN	305256390	7/2019
CN	304112450	4/2017	CN	305333225	9/2019
CN	304118759	4/2017	CN	305333233	9/2019
CN	304131668	5/2017	CN	305362766	9/2019
CN	304131719	5/2017	CN	305373223	10/2019
CN	304211835	7/2017	CN	305403266	10/2019
CN	304294035	9/2017	CN	305413527	11/2019
CN	304341373	11/2017	CN	305421701	11/2019
CN	304359925	11/2017	CN	305421702	11/2019
CN	304370780	11/2017	CN	305435227	11/2019
CN	304370806	11/2017	CN	305435228	11/2019
CN	304381224	12/2017	CN	305441583	11/2019
CN	304381226	12/2017	CN	305460458	11/2019
CN	304395011	12/2017	CN	305473951	12/2019
CN	304427673	12/2017	CN	305505216	12/2019
CN	304473962	1/2018	CN	305505238	12/2019
CN	304473984	1/2018	CN	305511033	12/2019
CN	304500210	2/2018	CN	305531506	1/2020
CN	304500275	2/2018	CN	305538268	1/2020
CN	304572993	4/2018	CN	305538270	1/2020
CN	304614197	5/2018	CN	305538346	1/2020
CN	304643337	5/2018	CN	305538347	1/2020
CN	304647362	5/2018	CN	305538350	1/2020
CN	304647364	5/2018	CN	305554145	1/2020
CN	304711973	7/2018	CN	305554179	1/2020
CN	304711974	7/2018	CN	305554197	1/2020
CN	304777011	8/2018	CN	305554211	1/2020
CN	304789445	8/2018	CN	305561682	1/2020
CN	304801517	9/2018	CN	305561685	1/2020
CN	304801522	9/2018	CN	305561756	1/2020
CN	304801523	9/2018	CN	305569723	1/2020
CN	304801544	9/2018	CN	305569750	1/2020
CN	304801545	9/2018	EM	000248588-0001	10/2004
CN	304812579	9/2018	EM	001099048-0001	3/2009
CN	304817718	9/2018	EM	001099048-0002	3/2009
CN	304843107	10/2018	EM	001949736-0002	11/2011
			EM	001334932-0003	7/2012
			EM	006862116-0021	9/2019
			WO	D067782-009	10/2006
			WO	D067782-010	10/2006

(56)

## References Cited

## FOREIGN PATENT DOCUMENTS

WO	D064128-001	3/2013
WO	D081033-001	6/2013
WO	D086448-003	5/2015
WO	D086448-004	5/2015
WO	D086448-005	5/2015
WO	D086448-006	5/2015
WO	D086531-001	5/2015
WO	D093856-045	12/2016
WO	D201232-001	2/2019
WO	D203404-001	8/2019
WO	D203404-002	8/2019
WO	D203404-003	8/2019
WO	D203404-004	8/2019

## OTHER PUBLICATIONS

Archtonic, 590—One-Handle Mixer by VOLA, [online], [visited Feb. 24, 2022]. Internet, <URL: <https://www.archtonic.com/en/product/vola-590-one-handle-mixer/20138105>> (Year: 2022).\*

Watermark, Deck Mounted Square Lavatory Monoblock, created Sep. 20, 2019, [online], [visited Feb. 25, 2022]. Internet, <URL: <https://d3f9f5k5y9valh.cloudfront.net/products/specs/22-1.1-TIC.PDF?mtime=20190924184227&focal=none>> (Year: 2019).\*

“Tyne Pull-Down Kitchen Sink Faucet (Kohler)”, BIMobject; date accessed Feb. 3, 2020; disclosure date unknown but prior to the filing date of present application; URL: <<https://www.bimobject.com/en-us/kohler/product/kohler-k-r21415>>.

“Speakman Neo Single-Handle Pull-Down Sprayer Kitchen Faucet in Stainless Steel”, Home Depot; date accessed Feb. 3, 2020; disclosure date unknown but prior to the filing date of present application; URL: <<https://www.homedepot.com/p/Speakman-Neo-Single-Handle-Pull-Down-Sprayer-Kitchen-Faucet-in-Stainless-Steel-SB-1042-SS/312197551>>.

“Pfister Pfirst Series Pull-Down Kitchen Faucet G529-PF1C Polished Chrome”, Overstock.com; date accessed Feb. 3, 2020; disclosure date unknown but prior to the filing date of present application; URL: <<https://www.overstock.com/Pfister-Pfirst-Series-Pull-Down-Kitchen-Faucet-G529,/k,/results.html?SearchType=Header>>.

“Pfister F-529-PDSL Pasadena Single-Handle Pull-Down Sprayer Kitchen Faucet with Soap Dispenser in Slate”, Amazon; date accessed Feb. 3, 2020; disclosure date unknown but prior to the filing date of present application; URL: <<https://www.amazon.com/Pfister-F-529-PDSL-Single-Handle-Pull-Down-Dispenser/>>.

“MOEN Sip Modern Lever Drinking Fountain Faucet in Spot Resist Stainless”, Home Depot; date accessed Feb. 3, 2020; disclosure date unknown but prior to the filing date of present application; URL: <<https://www.homedepot.com/p/MOEN-Sip-Modern-Lever-Drinking-Fountain-Faucet-in-Spot-Resist-Stainless-S5530SRS/205181183>>.

“MOEN Essie Single-Handle Pull-Down Sprayer Kitchen Faucet with Reflex and Power Clean in Spot Resist Stainless”, Home Depot; date accessed Feb. 3, 2020; disclosure date unknown but prior to the filing date of present application; URL: <<https://www.homedepot.com/p/MOEN-Essie-Single-Handle-Pull-Down-Sprayer-Kitchen-Faucet-with-Reflex-and-Power-Clean-in-Spot-Resist-Stainless-87014SRS/206069195>>.

“Kraus Oletto Single-Handle Kitchen Bar Faucet in Spot-Free Stainless Steel”, Home Depot; date accessed Feb. 3, 2020; disclosure date unknown but prior to the filing date of present application; URL: <<https://www.homedepot.com/p/KRAUS-Oletto-Single-Handle-Kitchen-Bar-Faucet-in-Spot-Free-Stainless-Steel-KPF-2600SFS/305657290>>.

“Kohler K-7507-CP Purist Primary Swing Spout Kitchen Faucet Without Spray, Polished Chrome”, Amazon; date accessed Feb. 3, 2020; disclosure date unknown but prior to the filing date of present application; URL: <<https://www.amazon.com/K-7507-CP-Primary-Kitchen-Without-Polished/dp/B003ZUTLJS>>.

“Kohler K-7505-CP Purist Kitchen Sink Faucet, One Size, Polished Chrome”, Amazon; date accessed Feb. 3, 2020; disclosure date

unknown but prior to the filing date of present application; URL: <[https://www.amazon.com/dp/B003WXJOK4/ref=psdc\\_6810579011\\_t2\\_B003ZUTLJS](https://www.amazon.com/dp/B003WXJOK4/ref=psdc_6810579011_t2_B003ZUTLJS)>.

“Kingston Brass KS8198CTL”, Build.com; date accessed Feb. 3, 2020; disclosure date unknown but prior to the filing date of present application; URL: <<https://www.build.com/kingston-brass-ks819-ctl/s579753?uid=1509748>>.

“Home Depot Shower Faucets Home Depot Bathroom Shower Faucets Bathroom Shower Faucets . . .”, Jovagema; date accessed Feb. 3, 2020; disclosure date unknown but prior to the filing date of present application; URL: <<http://jovagema.com/interior/>>.

“Elegant Cheap Kitchen Faucets With Sprayer”, Klocker.me; date accessed Feb. 3, 2020; disclosure date unknown but prior to the filing date of present application; URL: <[http://klocker.me/awesome\\_2-storey-house](http://klocker.me/awesome_2-storey-house)>.

“Delta Trinsic Single-Handle Pull-Down Sprayer Kitchen Faucet with MagnaTite Docking in Chrome”; Home Depot date accessed Feb. 3, 2020; disclosure date unknown but prior to the filing date of present application; URL: <<https://www.homedepot.com/p/Delta-Trinsic-Single-Handle-Pull-Down-Sprayer-Kitchen-Faucet-with-MagnaTite-Docking-in-Chrome-9159-DST/203002550>>.

“Delta Mandolin 4 in. Centerset Single-Handle Bathroom Faucet in SpotShield Brushed Nickel”; Home Depot; date accessed Feb. 3, 2020; disclosure date unknown but prior to the filing date of present application; URL: <<https://www.homedepot.com/p/Delta-Mandolin-4-in-Centerset-Single-Handle-Bathroom-Faucet-in-SpotShield-Brushed-Nickel-15630LF-SP/206593647>>.

“Delta Faucet Trinsic Single-Handle Touch Kitchen Sink Faucet with Pull Down Sprayer, Touch2O Technology and Magnetic Docking Spray Head, Arctic Stainless 9159T-AR-DST”; Amazon; date accessed Feb. 3, 2020; disclosure date unknown but prior to the filing date of present application; URL: <<https://www.amazon.com/Single-Handle-Technology-Stainless-9159T-AR-DST-Refurbished/dp/B07K2134QD/>>.

“Delta Essa Touch2O Technology Single-Handle Pull-Down Sprayer Kitchen Faucet with MagnaTite Docking in Arctic Stainless”; Home Depot; date accessed Feb. 3, 2020; disclosure date unknown but prior to the filing date of present application; URL: <<https://www.homedepot.com/p/Delta-Essa-Touch2O-Technology-Single-Handle-Pull-Down-Sprayer-Kitchen-Faucet-with-MagnaTite-Docking-in-Arctic-Stainless-9113T-AR-DST/206323132>>.

“Cosmo Single-Handle Pull-Down Sprayer Kitchen Faucet with Ceramic Disc Cartridge in Chrome”; Home Depot; date accessed Feb. 3, 2020; disclosure date unknown but prior to the filing date of present application; URL: <<https://www.homedepot.com/p/Cosmo-Single-Handle-Pull-Down-Sprayer-Kitchen-Faucet-with-Ceramic-Disc-Cartridge-in-Chrome-COS-KF501C/300646418>>.

“American Standard—T064900.295—Serin DMTF, Less Shower”; Southern Plumbing & Heating Supply Corp.; date accessed Feb. 3, 2020; disclosure date unknown but prior to the filing date of present application; URL: <<https://www.southernplbgsupply.com/Chesapeake-Gloucester-Portsmouth-Yorktown/American-Standard-2064801-295-Brushed-Nickel-Widespread-Bathroom-Sink-Faucet.HTM>>.

“American Standard Montvale Single-Handle Pull-Down Sprayer Kitchen Faucet with Soap Dispenser in Stainless Steel”; Home Depot; date accessed Feb. 3, 2020; disclosure date unknown but prior to the filing date of present application; URL: <<https://www.homedepot.com/p/American-Standard-Montvale-Single-Handle-Pull-Down-Sprayer-Kitchen-Faucet-with-Soap-Dispenser-in-Stainless-Steel-9379315-075/305025729>>.

“American Standard Kerris Chrome 1-Handle Deck Mount Pull-down Commercial/Residential Kitchen Faucet”; Lowe’s date accessed Feb. 3, 2020; disclosure date unknown but prior to the filing date of present application; URL: <<https://www.lowes.com/pd/American-Standard-Colony-Chrome-1-Handle-Deck-Mount-Pull-Down-Handle-Lever-Residential-Kitchen-Faucet/999943778>>.

“American Standard Gooseneck, Kitchen Sink Faucet, Lever Faucet Handle Type, 1.50 gpm, Stainless Steel” Grainger; date accessed Feb. 3, 2020; disclosure date unknown but prior to the filing date of present application”; URL: <<https://www.grainger.com/product/AMERICAN-STANDARD-Gooseneck-Kitchen-Faucet-448N29>>.

“American Standard Copley One-Handle Pull-Down Stainless Kitchen Faucet”; Menards; date accessed Feb. 3, 2020; disclosure date

(56)

**References Cited**

OTHER PUBLICATIONS

unknown but prior to the filing date of present application; URL:  
<<https://www.menards.com/main/kitchen/kitchen-faucets/american-standard-copley-one-handle-pull-down-stainless-kitchen-faucet/7032300-075/p-1536301682830-c-8509.htm>>.

\* cited by examiner

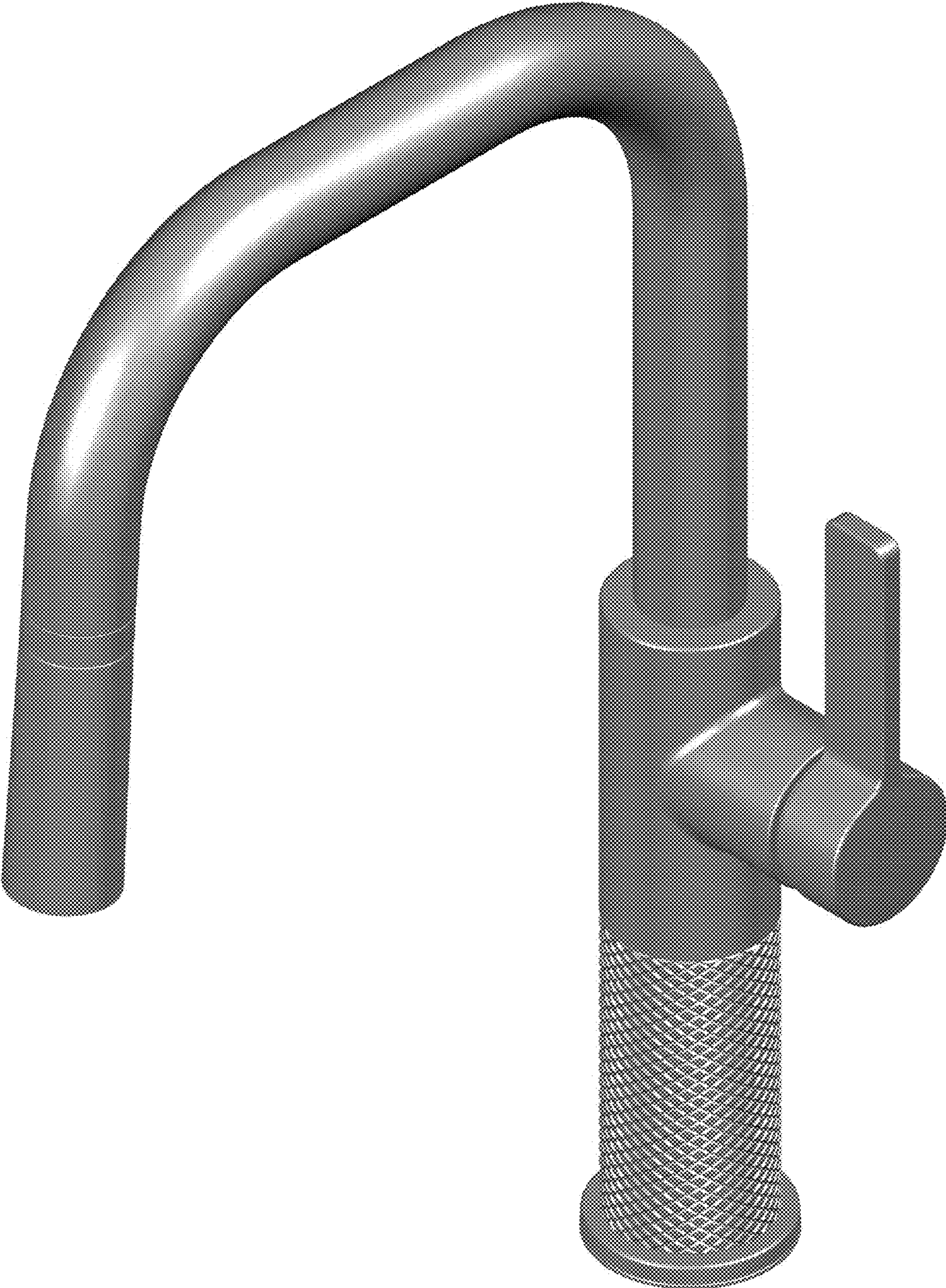


FIG. 1

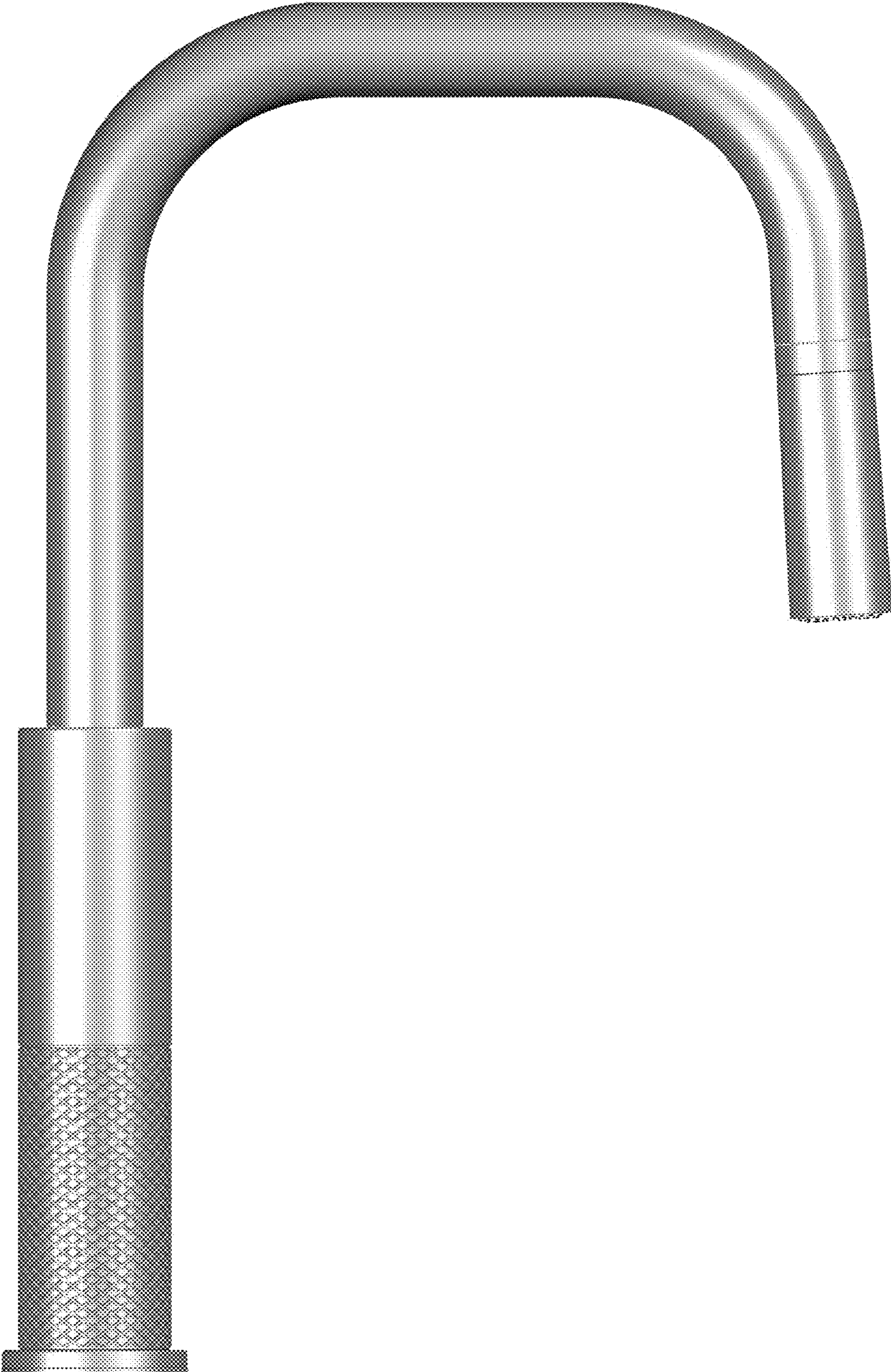


FIG. 2



FIG. 3



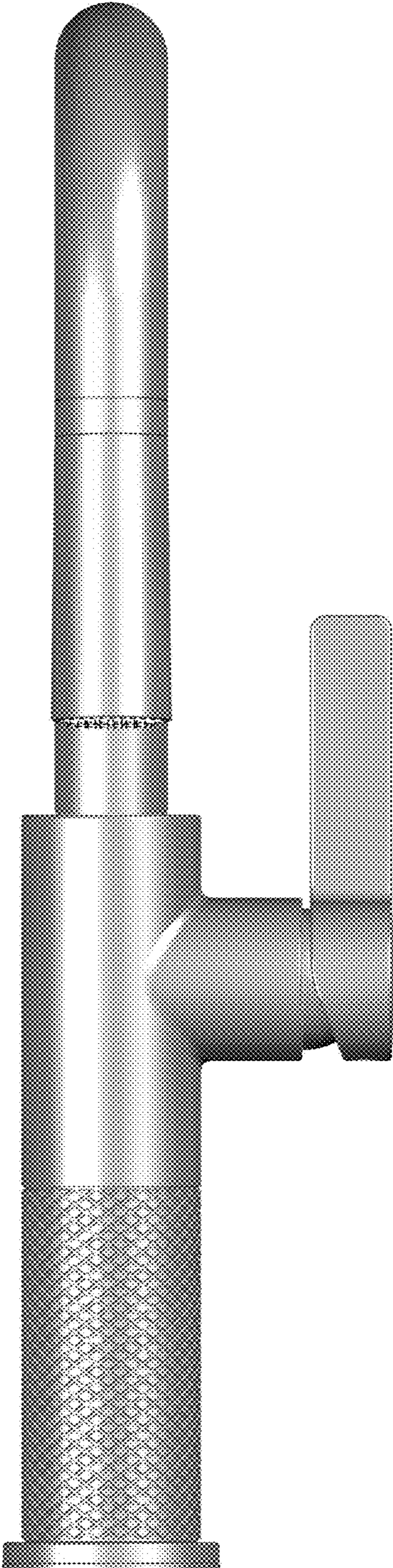
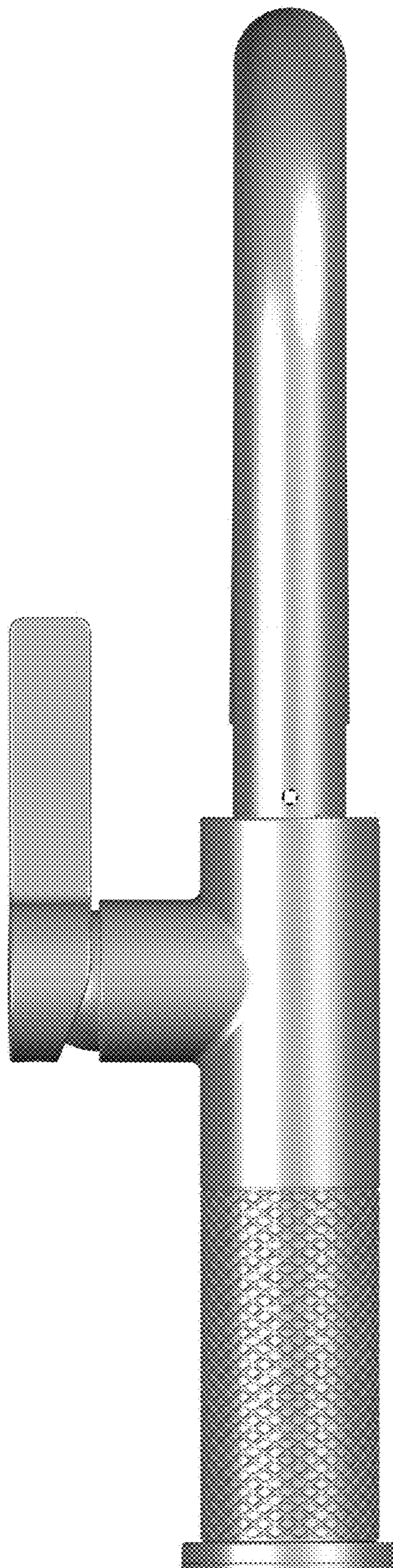
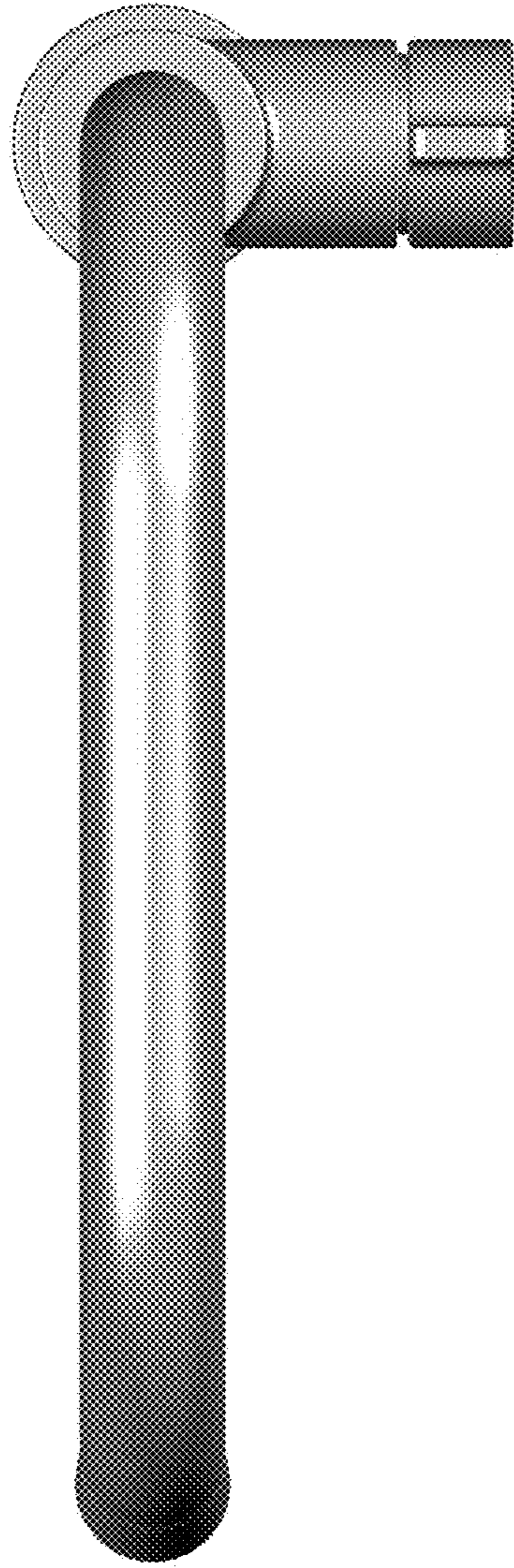


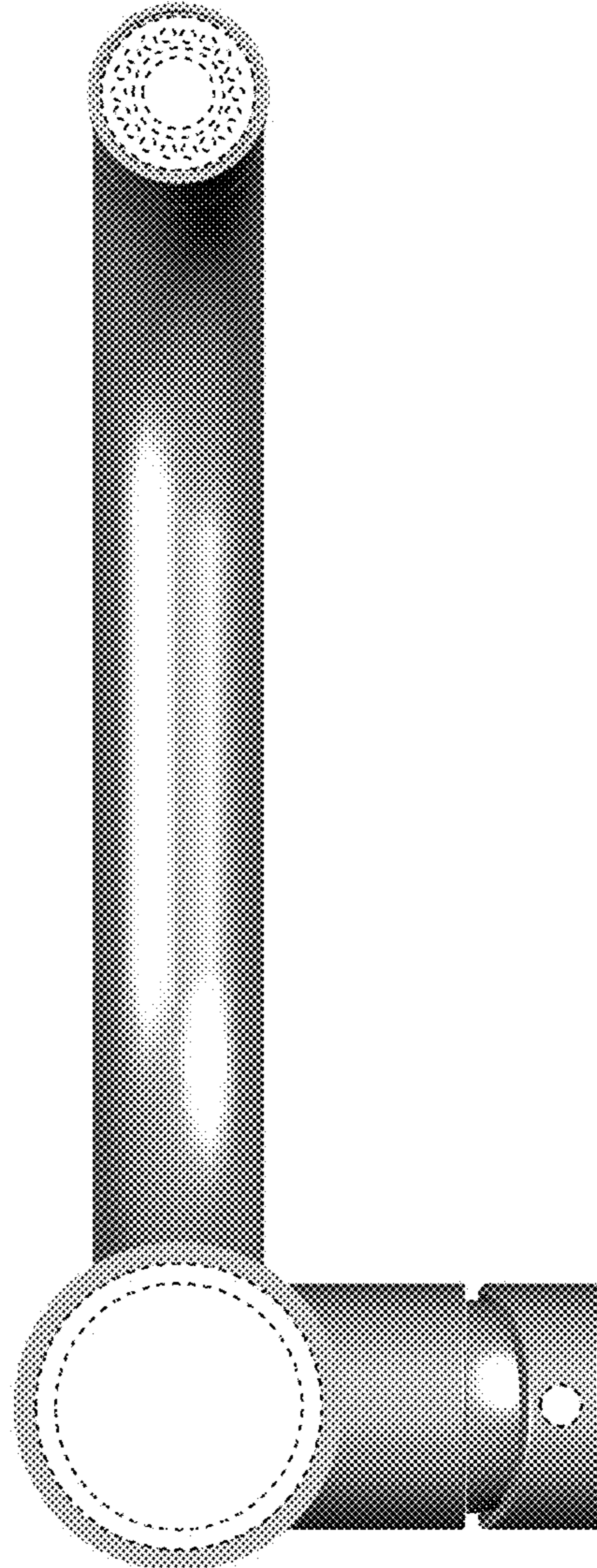
FIG. 4



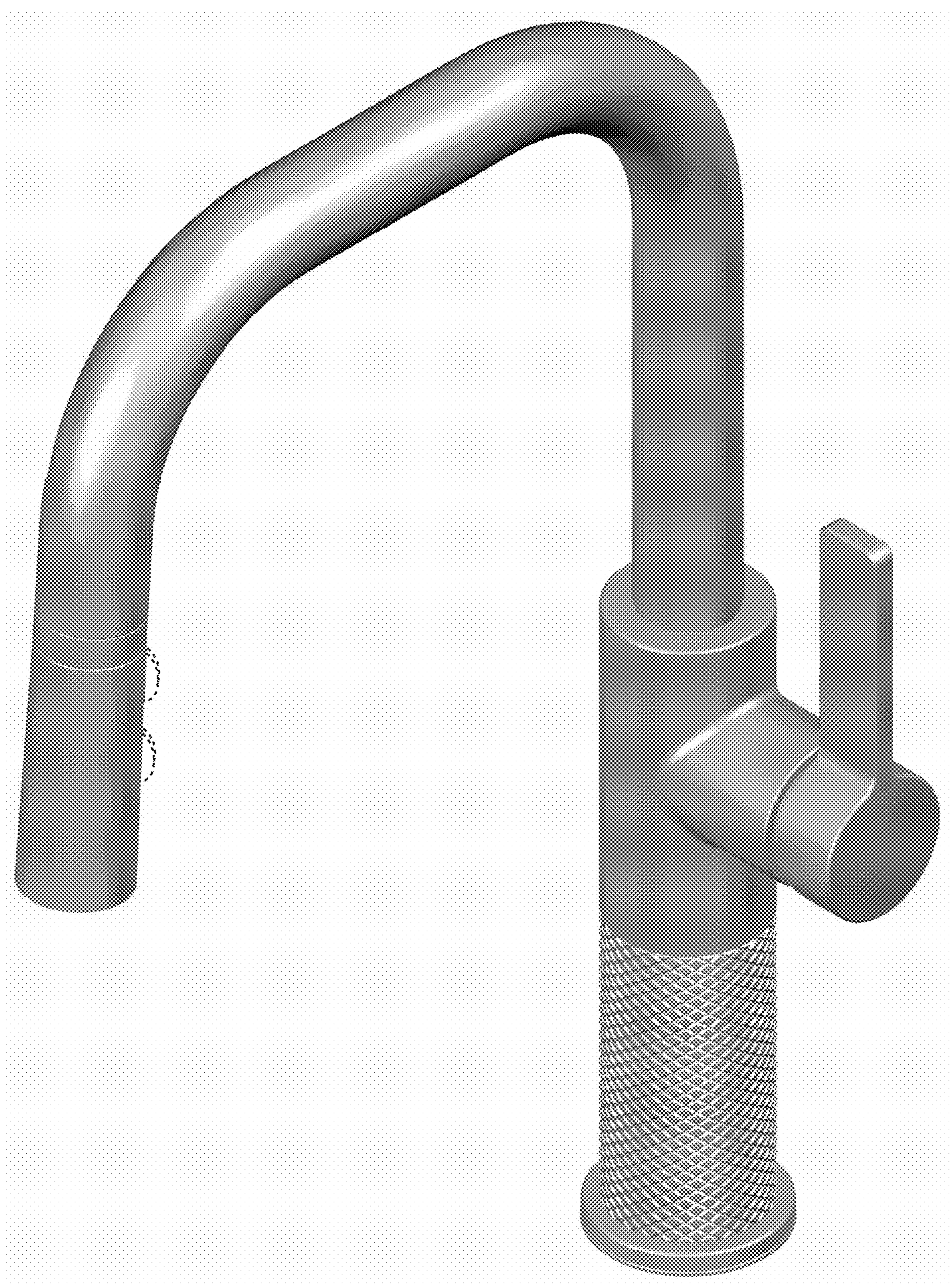
**FIG. 5**



**FIG. 6**



**FIG. 7**



**FIG. 8**

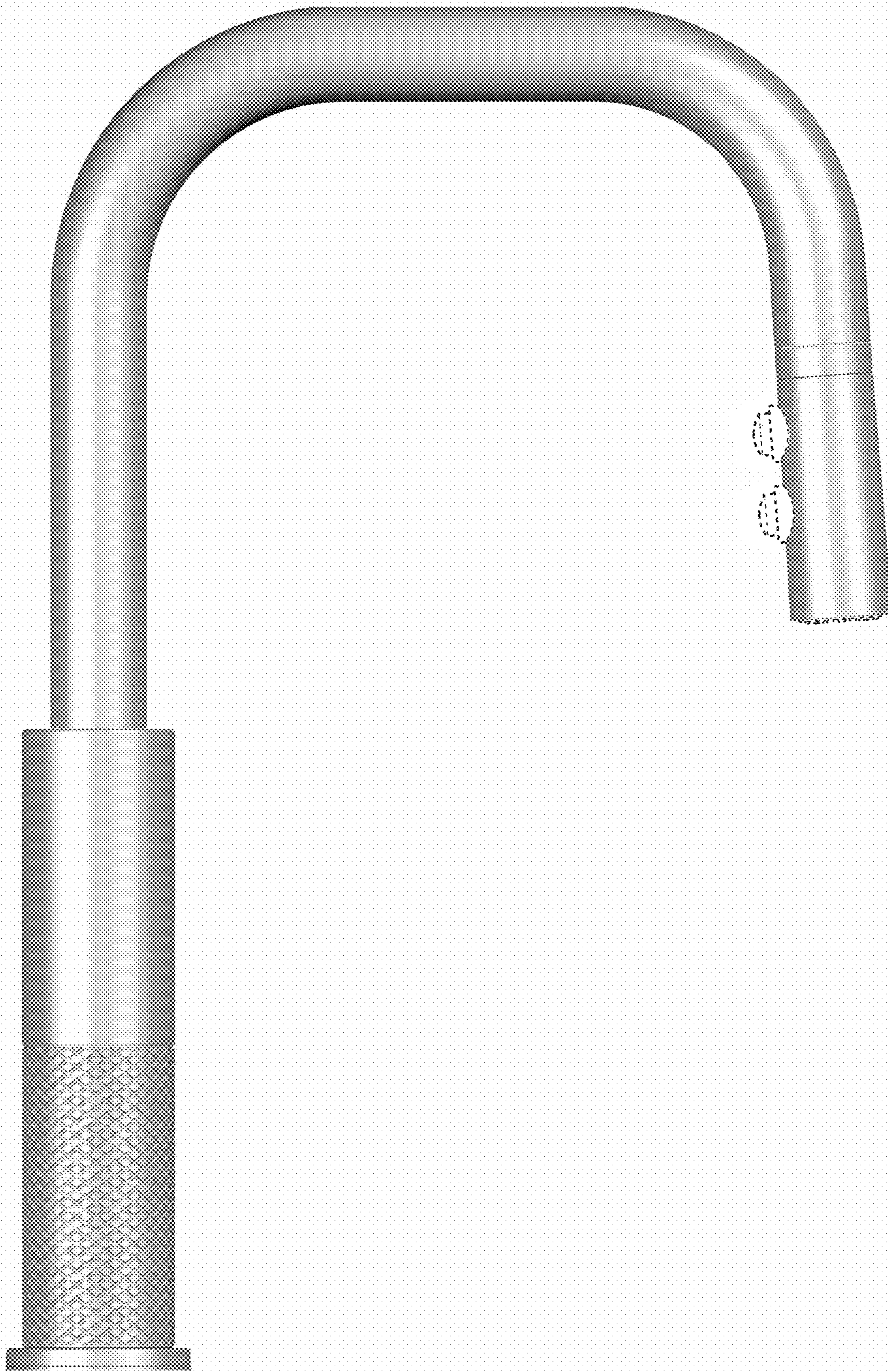


FIG. 9

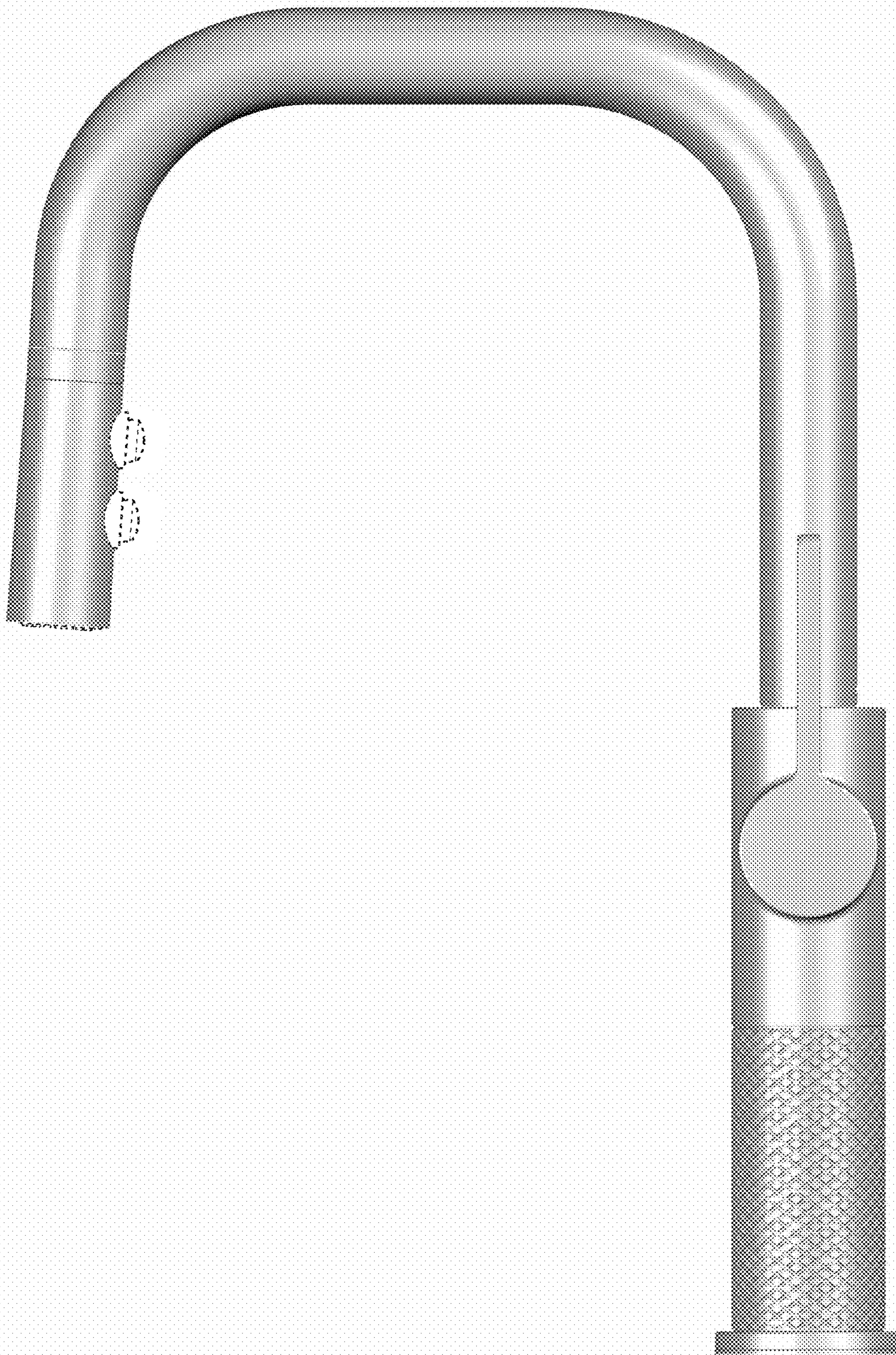


FIG. 10

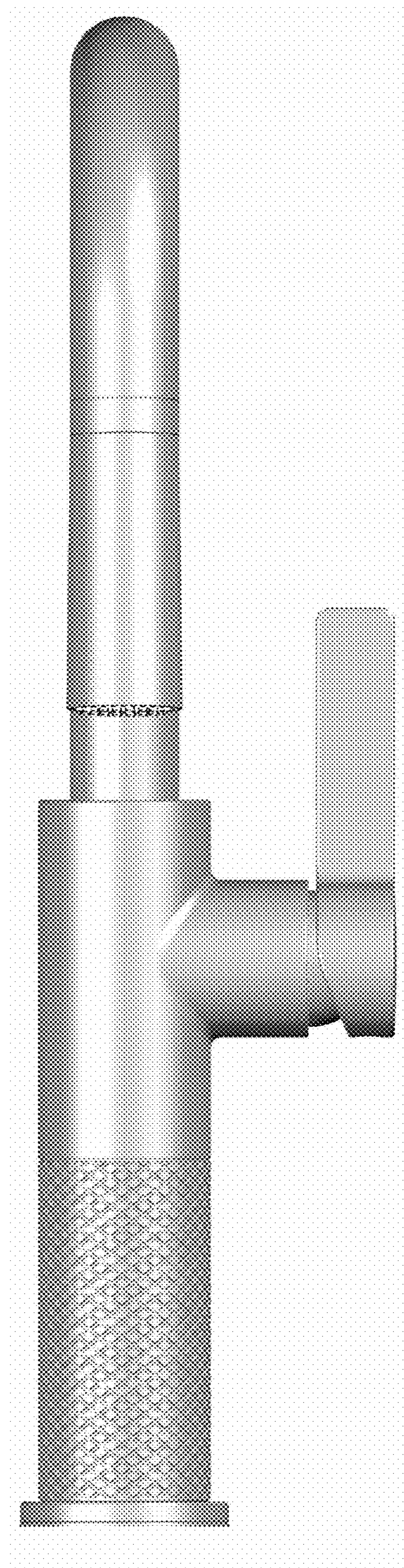
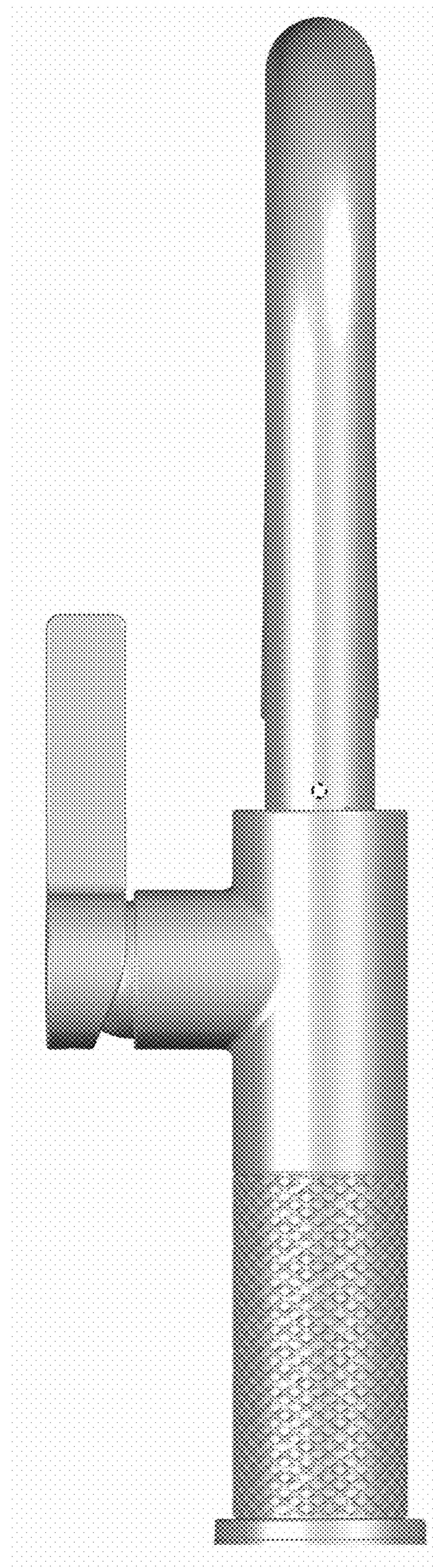
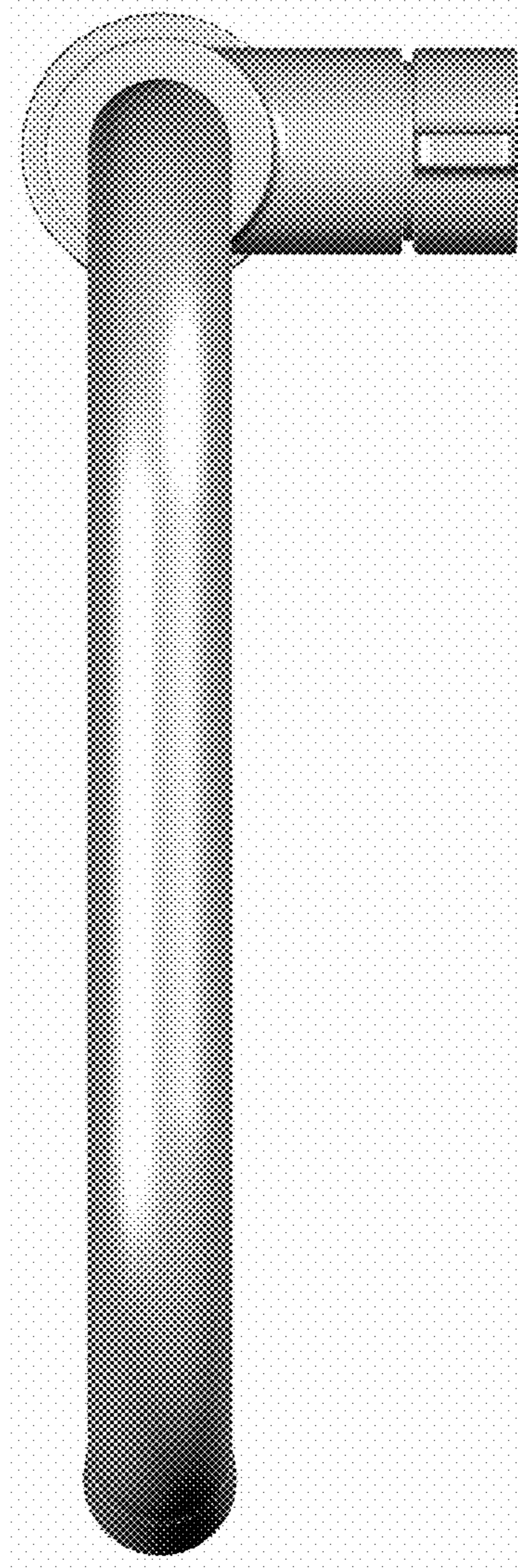


FIG. 11

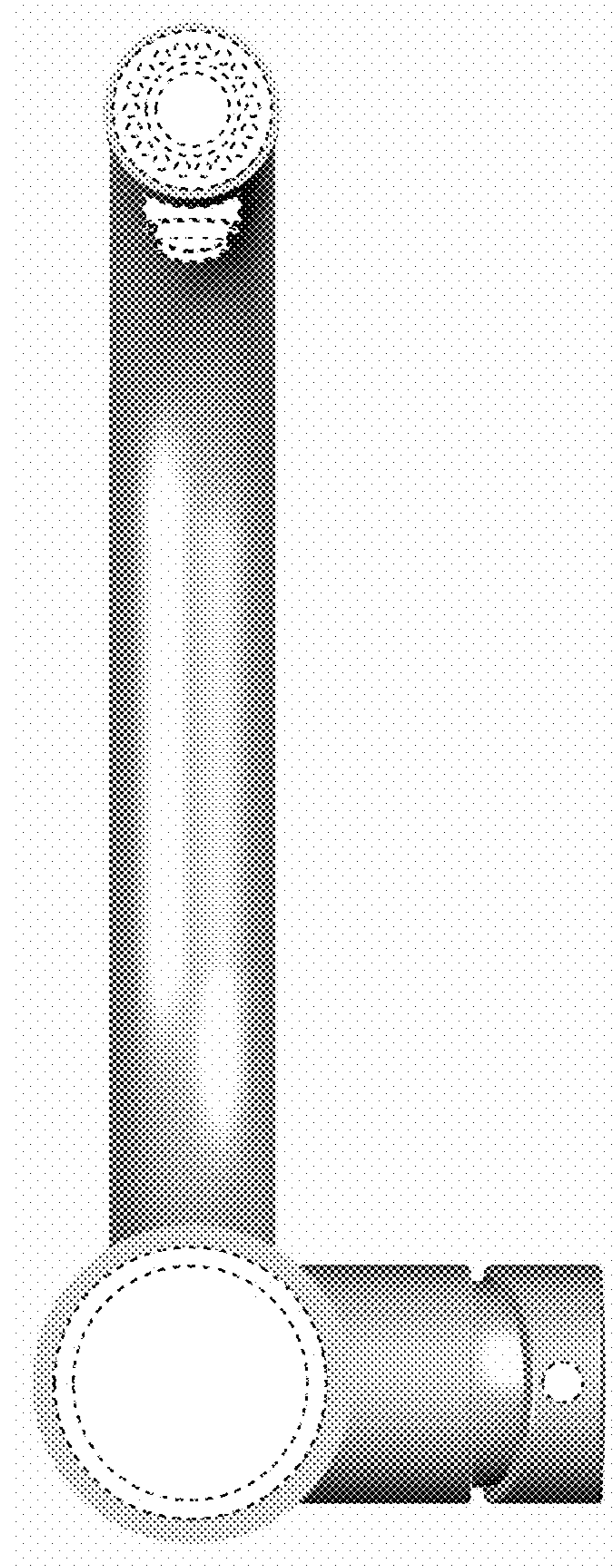




**FIG. 12**



**FIG. 13**



**FIG. 14**