



US00D957573S

(12) **United States Design Patent**
Craig

(10) **Patent No.:** **US D957,573 S**
(45) **Date of Patent:** **** Jul. 12, 2022**

(54) **INTELLIGENT SPRAYING APPARATUS**

(71) Applicant: **Corey Craig**, Auburn, AL (US)

(72) Inventor: **Corey Craig**, Auburn, AL (US)

(**) Term: **15 Years**

(21) Appl. No.: **29/832,826**

(22) Filed: **Mar. 30, 2022**

(51) **LOC (13) Cl.** **23-01**

(52) **U.S. Cl.**
USPC **D23/223**

(58) **Field of Classification Search**

USPC D23/213, 223, 225, 226, 233

CPC B05B 9/00; B05B 9/03; B05B 9/08; B05B
12/004; B05B 12/006; B05B 12/008

See application file for complete search history.

(56) **References Cited**

U.S. PATENT DOCUMENTS

D305,147 S *	12/1989	Samford	D23/223
D314,811 S *	2/1991	Gammons	D23/226
D390,630 S *	2/1998	McKown	D23/213
D400,967 S *	11/1998	Schreiner	D23/233
D462,112 S *	8/2002	Kozu	D23/262
D497,975 S *	11/2004	Chen	D23/225
D498,289 S *	11/2004	Chen	D23/225

(Continued)

FOREIGN PATENT DOCUMENTS

CN	3668668	7/2007
CN	301883557	4/2012

(Continued)

OTHER PUBLICATIONS

Toolguy Republic Digital HVLP Spray Gun Air Regulator with Pressure Gauge, Mar. 18, 2016, Amazon, site visited May 24, 2022: <https://www.amazon.com/dp/B075LWBVLR> (Year: 2016).*

(Continued)

Primary Examiner — Jack Reickel

Assistant Examiner — Bobby W Jones, II

(74) *Attorney, Agent, or Firm* — Patterson Intellectual Property Law, P.C.; Alex H. Huffstutter

(57) **CLAIM**

What is claimed is the ornamental design for an intelligent spraying apparatus, as shown and described.

DESCRIPTION

FIG. 1 is a top front perspective view showing the intelligent spraying apparatus of Applicant's new design.

FIG. 2 is a top rear perspective view of the intelligent spraying apparatus of FIG. 1.

FIG. 3 is a bottom front perspective view of the intelligent spraying apparatus of FIG. 1.

FIG. 4 is a bottom rear perspective view of the intelligent spraying apparatus of FIG. 1.

FIG. 5 is a top plan view of the intelligent spraying apparatus of FIG. 1.

FIG. 6 is a bottom plan view of the intelligent spraying apparatus of FIG. 1.

FIG. 7 is a front elevation view of the intelligent spraying apparatus of FIG. 1.

FIG. 8 is a rear elevation view of the intelligent spraying apparatus of FIG. 1.

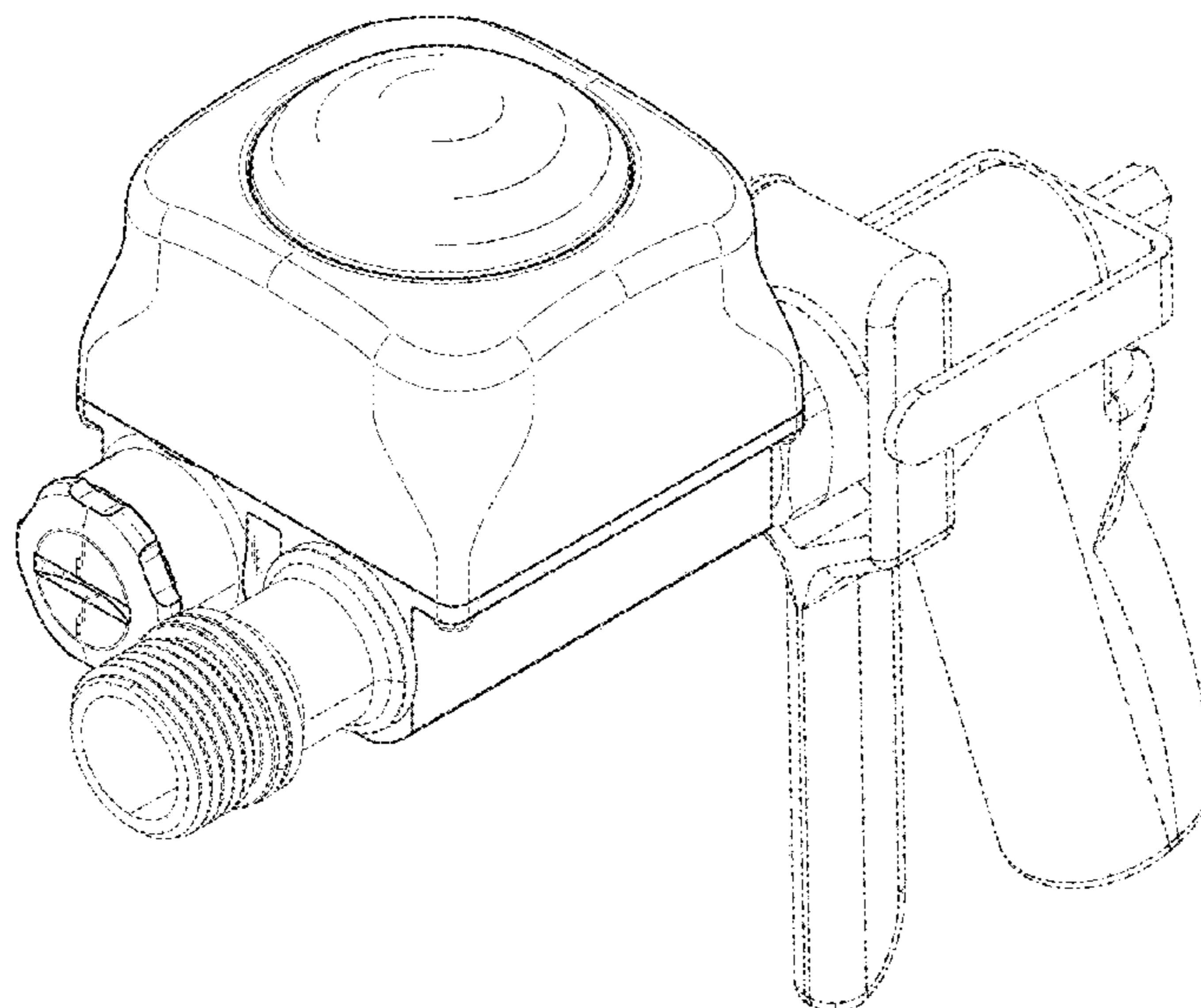
FIG. 9 is a right side elevation view of the intelligent spraying apparatus of FIG. 1.

FIG. 10 is a left side elevation view of the intelligent spraying apparatus of FIG. 1; and,

FIG. 11 is a top front perspective view of the intelligent spraying apparatus of FIG. 1 in combination with a sprayer for context, shown in dash-dot broken lines, the sprayer forming no part of the claimed design.

The broken lines in the drawings illustrate portions of the intelligent spraying apparatus which form no part of the claimed design.

1 Claim, 11 Drawing Sheets



(56)

References Cited

U.S. PATENT DOCUMENTS

D537,145	S	2/2007	Huang	
D542,377	S *	5/2007	Jou	D23/223
D588,230	S *	3/2009	Mattson	D23/223
D633,985	S *	3/2011	Spadotto	D23/233
D634,813	S *	3/2011	Hernandez, IV	D23/233
D670,786	S *	11/2012	Mauchle	D23/223
D736,896	S *	8/2015	Nishimura	D23/233
D845,438	S *	4/2019	Wintch	D23/233
D854,123	S	7/2019	Becker et al.	
D858,697	S *	9/2019	Crenshaw	D23/223
10,722,770	B1 *	7/2020	Beaumont	G01B 11/14
D929,544	S *	8/2021	Okawara	D23/233
2003/0230636	A1 *	12/2003	Rogers	B05B 7/2478 73/714
2008/0029615	A1 *	2/2008	Davies	B05B 12/008 239/74
2014/0084075	A1 *	3/2014	Vandelli	G01F 1/34 239/74
2019/0118203	A1 *	4/2019	Fontaine	B05B 7/2475
2020/0009591	A1 *	1/2020	Chapron	G01M 3/205
2020/0116535	A1 *	4/2020	Craig	G01S 5/0027
2020/0353492	A1 *	11/2020	Beaumont	B65D 83/384
2021/0386050	A1 *	12/2021	Garmendia Oyarbide	A01M 7/0089

FOREIGN PATENT DOCUMENTS

CN	302051918	8/2012
CN	302151421	10/2012
CN	302700688	1/2014

CN	302700689	1/2014
CN	302746409	2/2014
CN	302812928	5/2014
CN	302972068	10/2014
CN	303166640	4/2015
CN	303681818	5/2016
CN	303993878	1/2017
CN	304002507	1/2017
CN	304343716	11/2017
CN	304471161	1/2018
CN	304885488	11/2018
CN	304984508	1/2019
CN	305360362	9/2019
CN	305365362	9/2019
CN	306057545	9/2020
CN	306228457	12/2020
CN	306538744	5/2021
CN	306659512	7/2021
CN	306659513	7/2021
CN	306837121	9/2021
CN	306948197	11/2021
EM	0055507621-0001	7/2018
GB	9005507621-0001	7/2018
GB	6115128	1/2021
JP	D1121858	9/2001

OTHER PUBLICATIONS

Digital HVLP Spray Gun Air Regulator Pressure Gauge Diaphragm Control, Mar. 28, 2017, Amazon, site visited May 24, 2022: <https://www.amazon.com/dp/B06XX5LBVJ> (Year: 2017).*

* cited by examiner

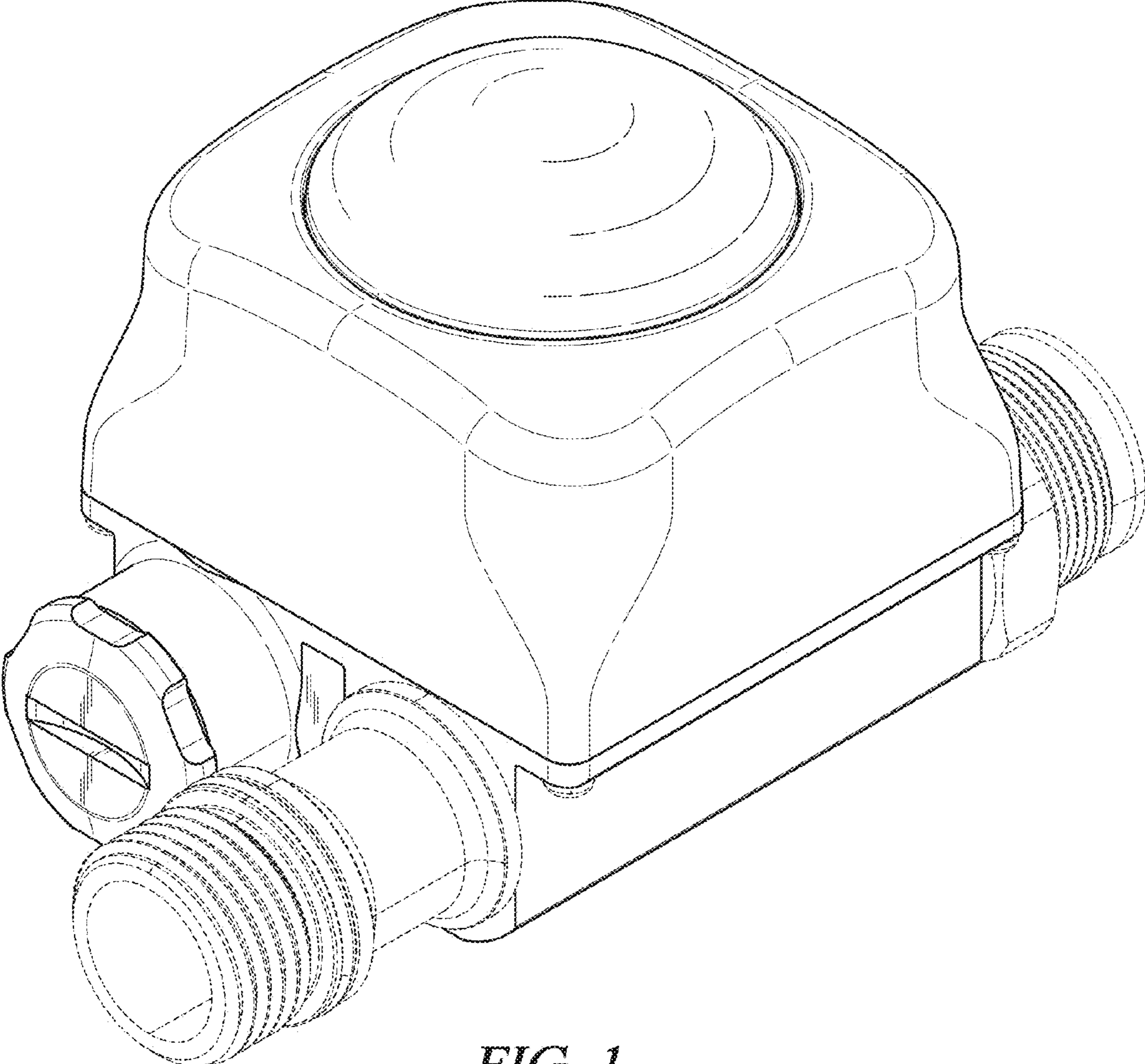


FIG. 1

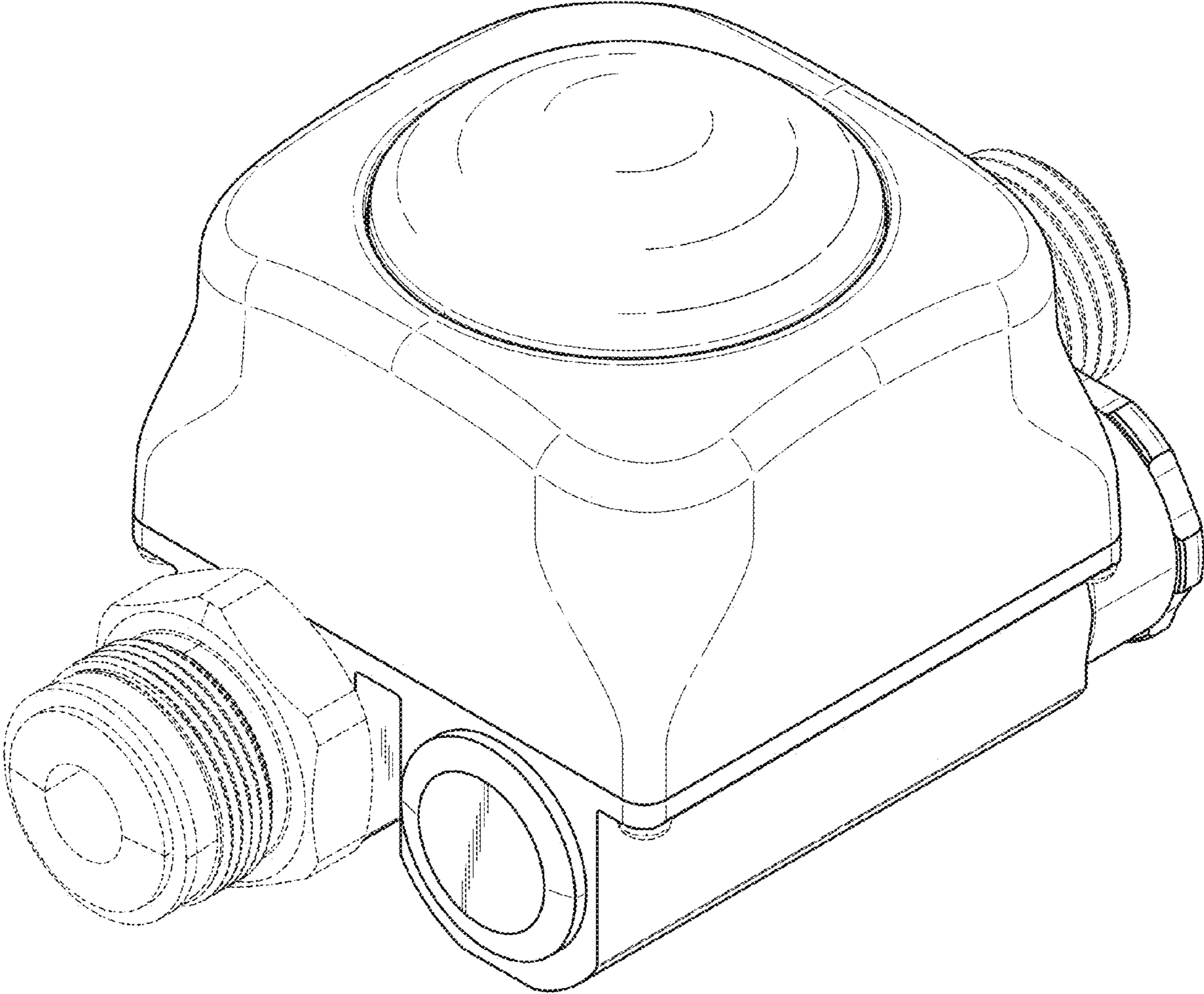


FIG. 2

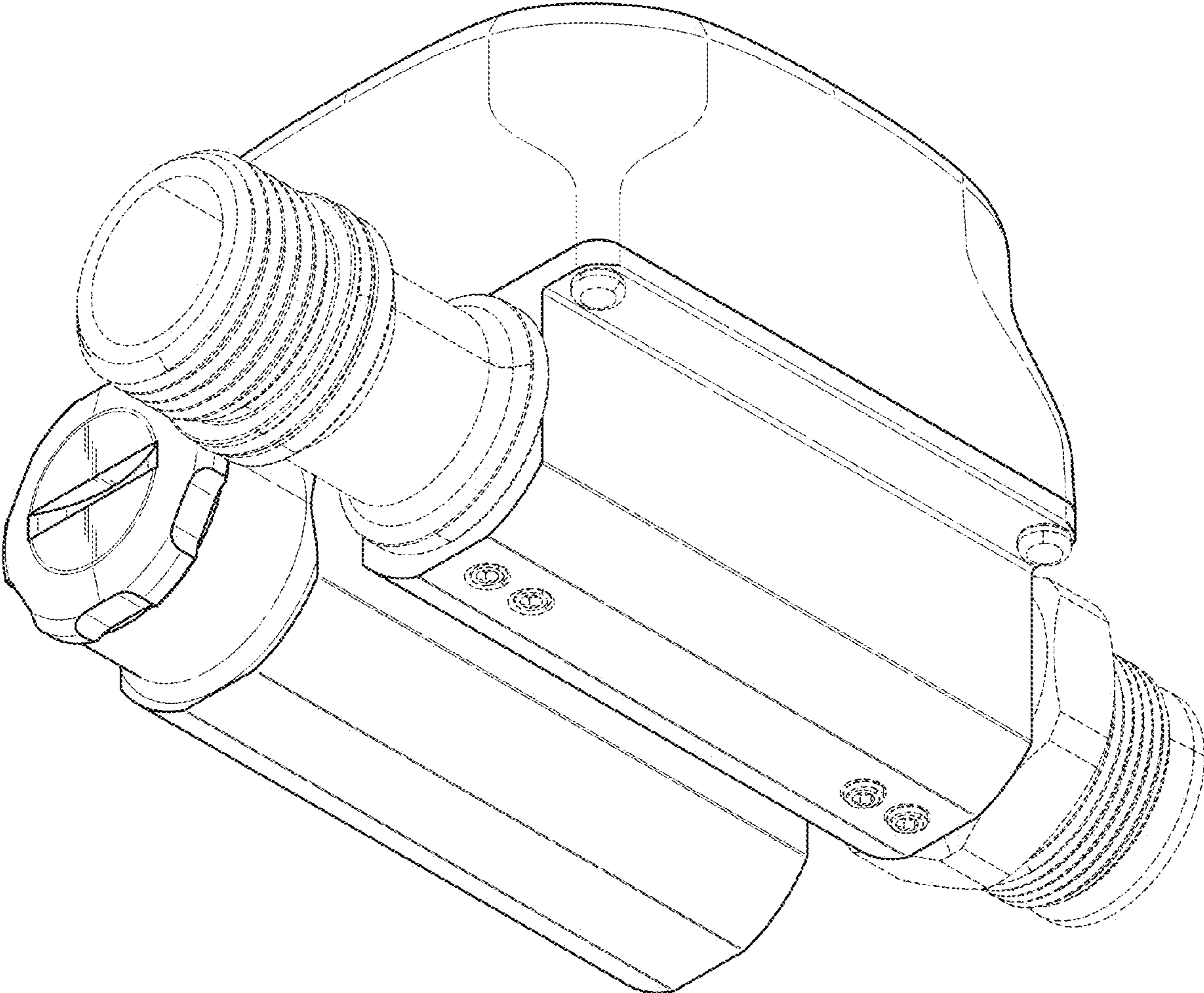


FIG. 3

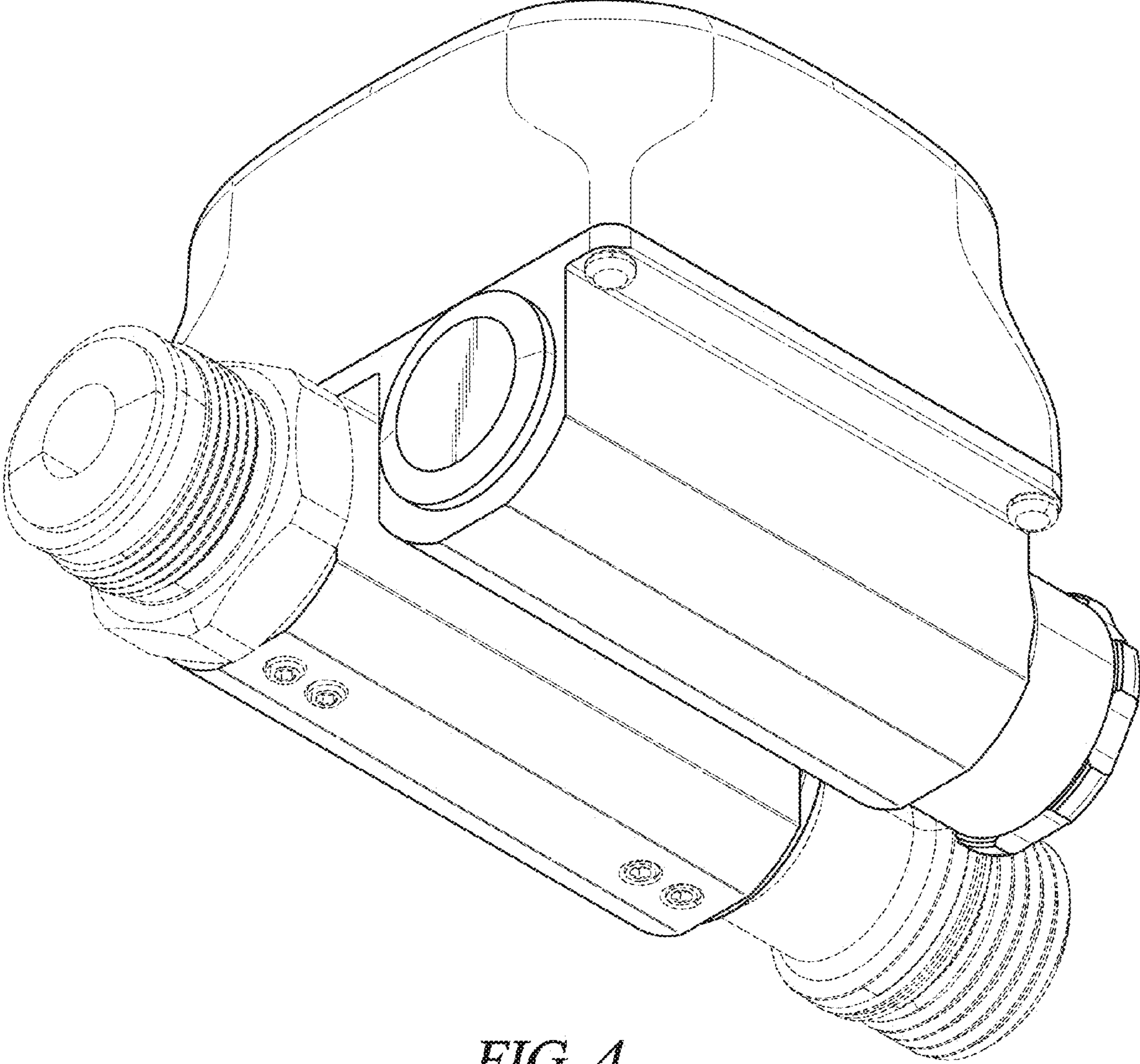


FIG. 4

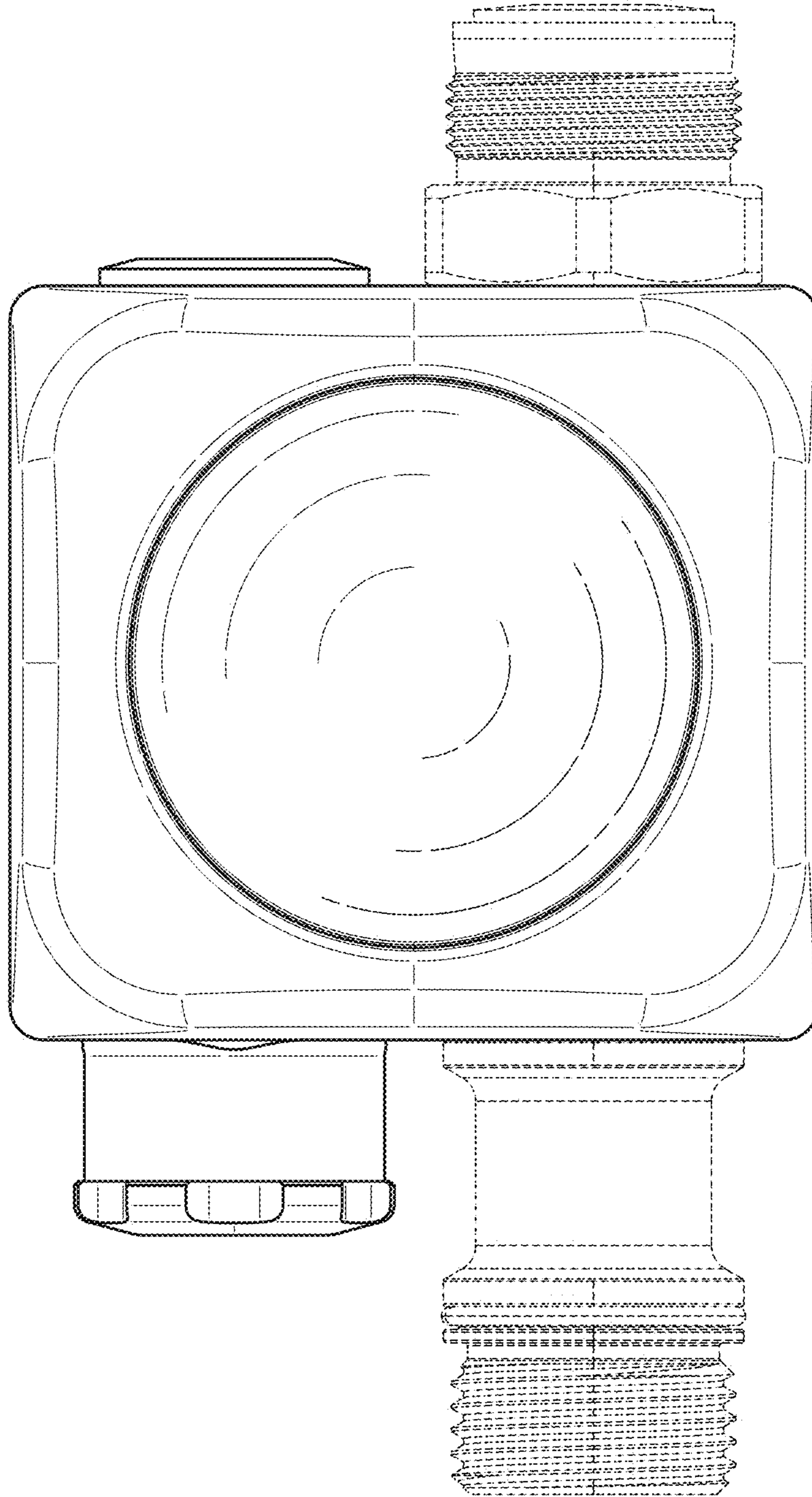


FIG. 5

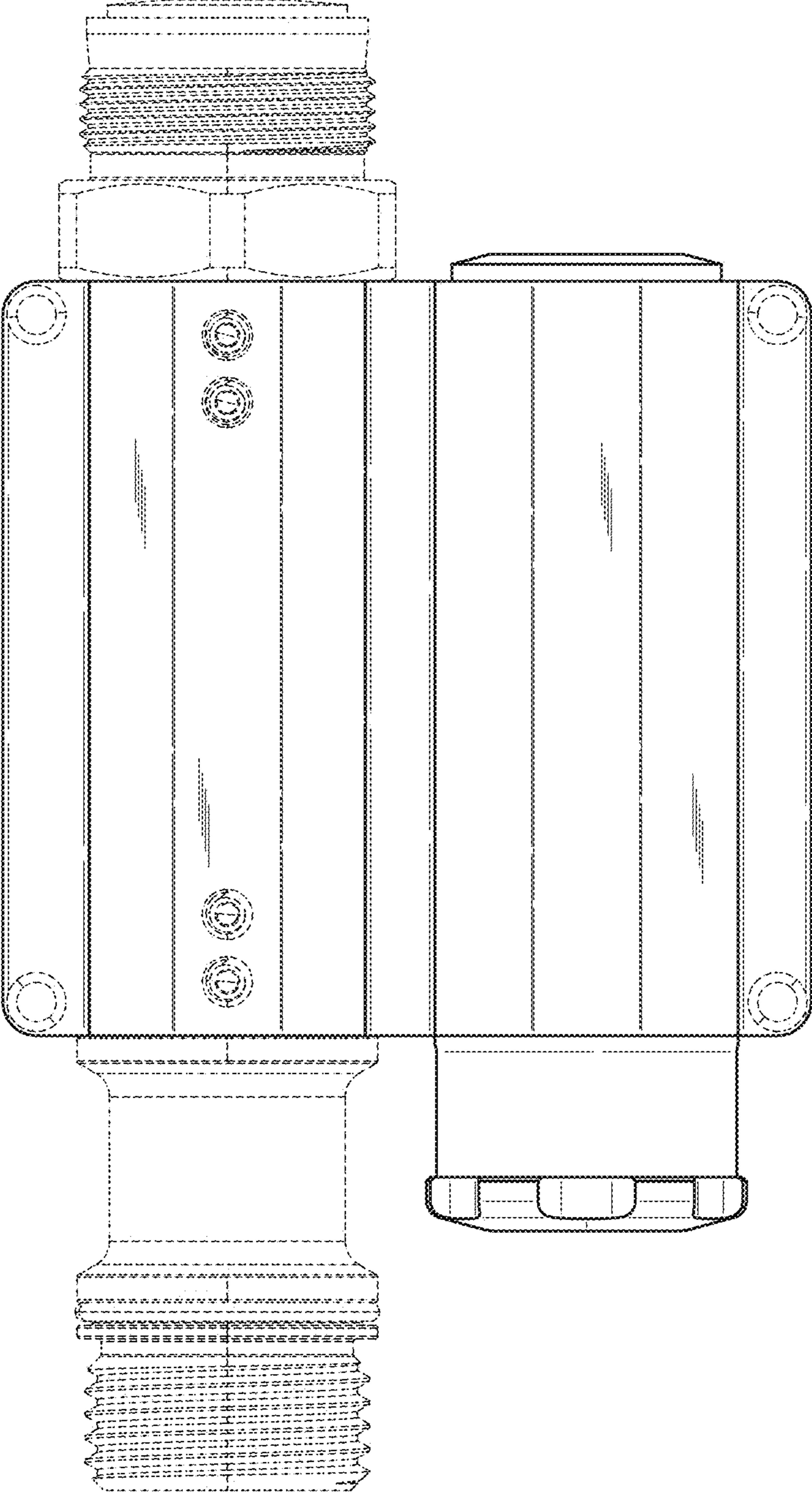


FIG. 6

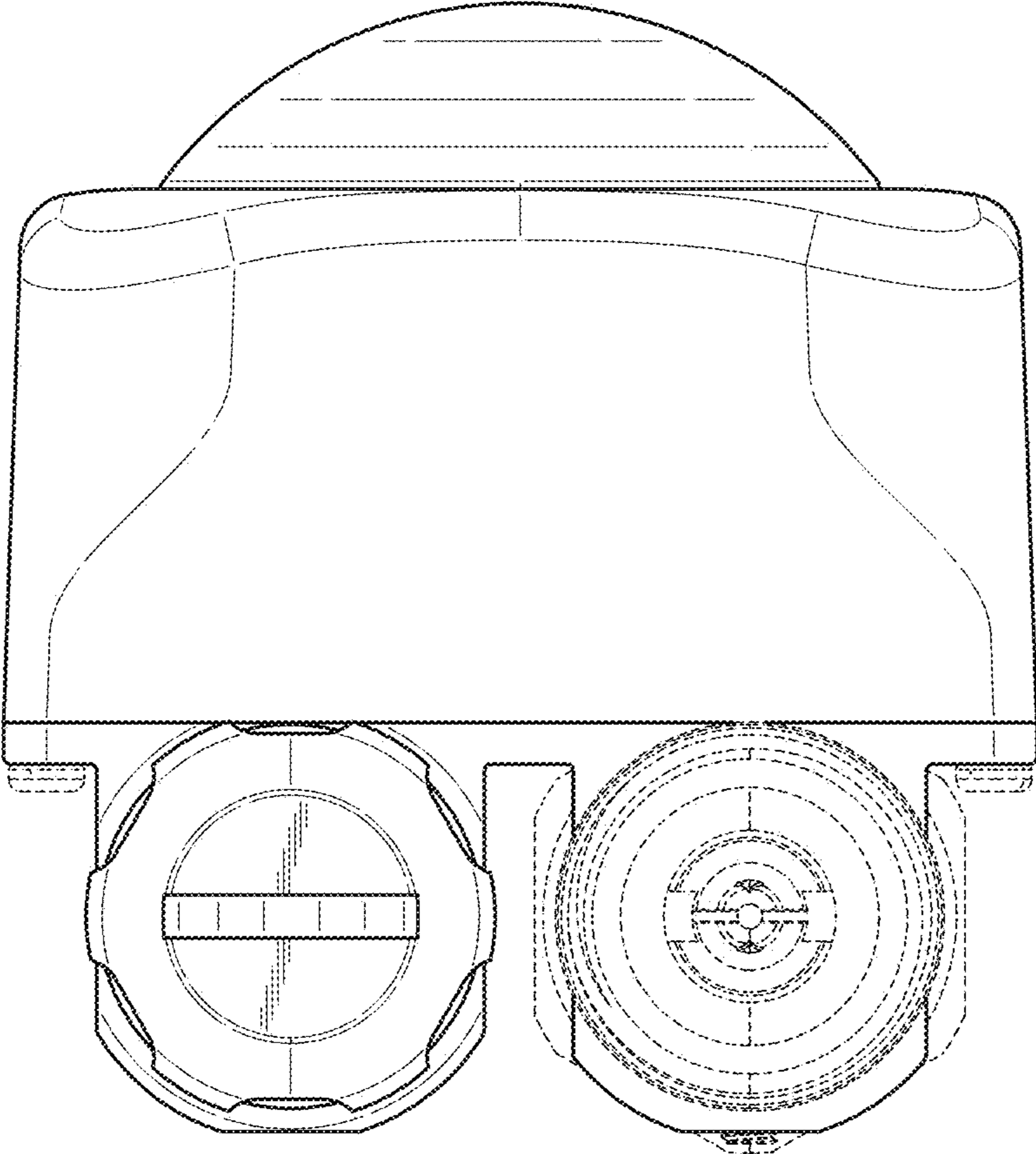


FIG. 7

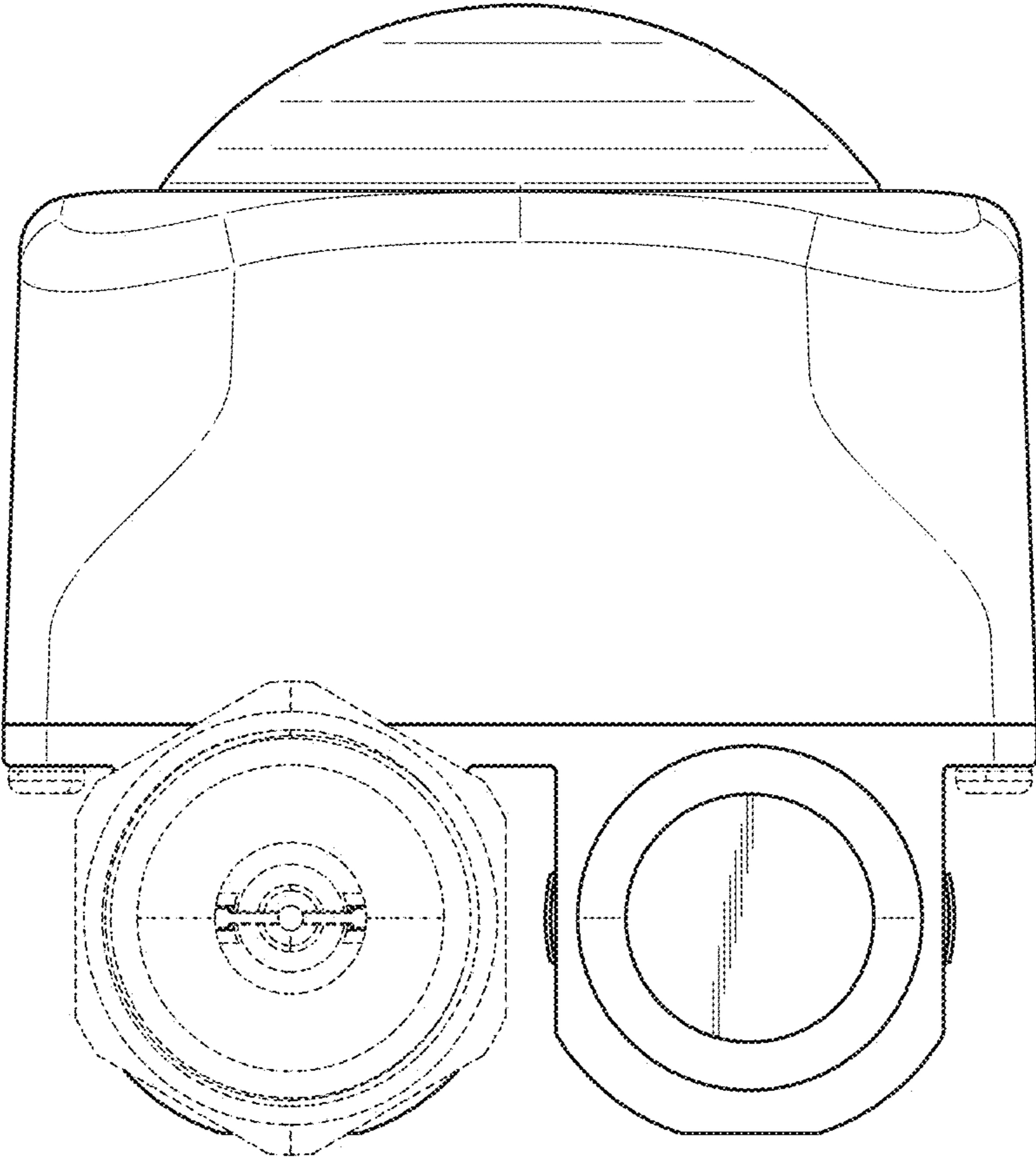


FIG. 8

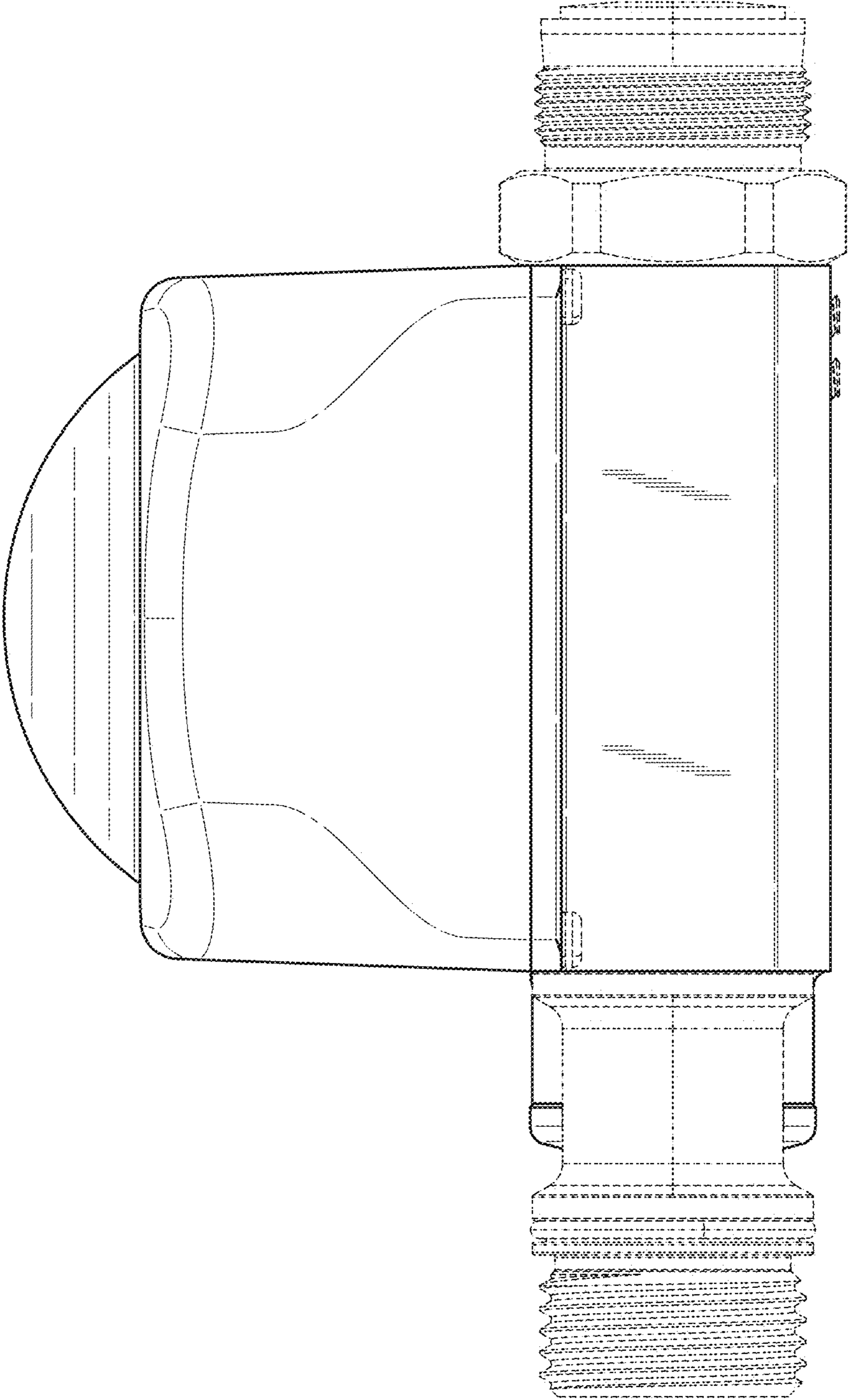


FIG. 9

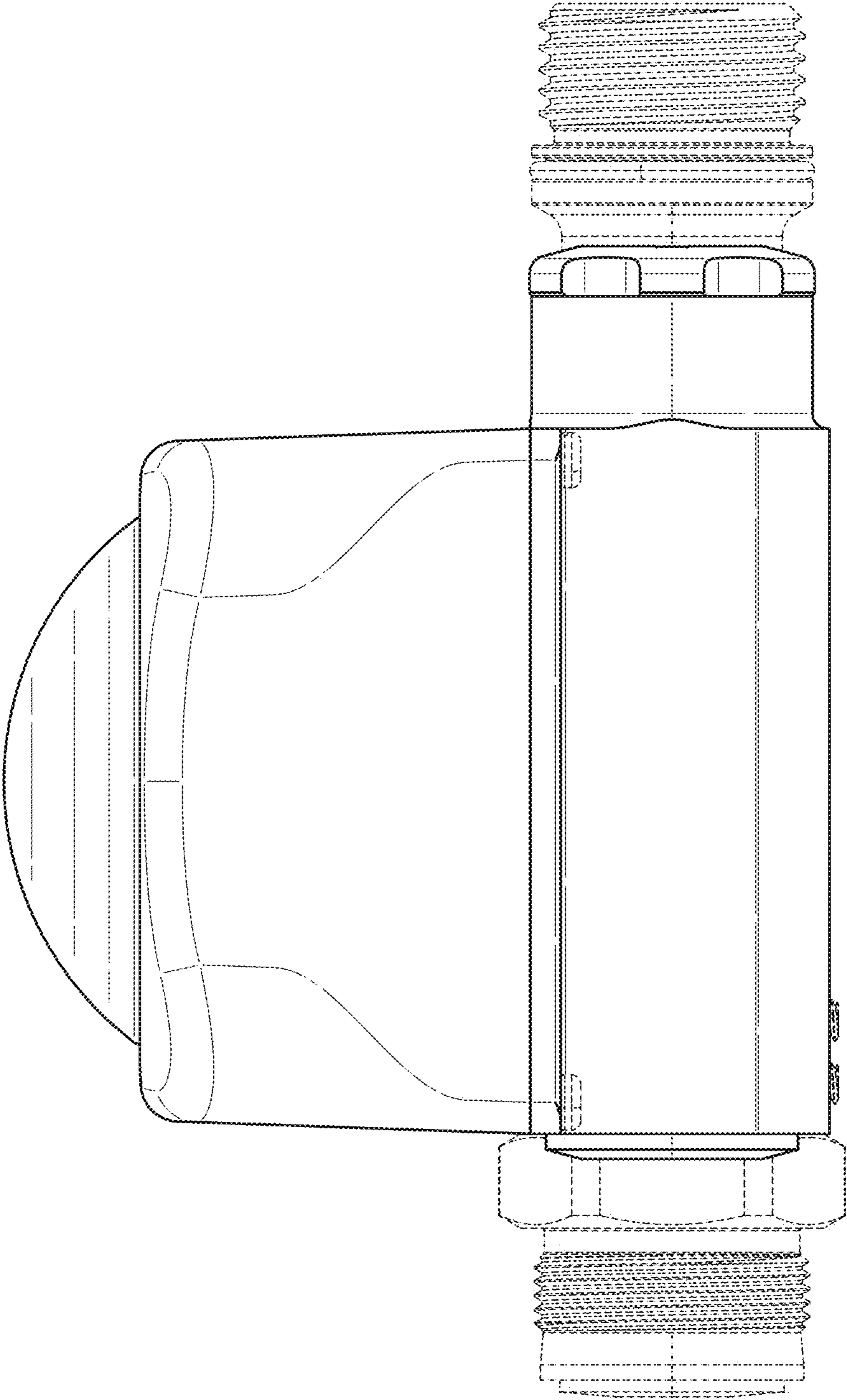


FIG. 10

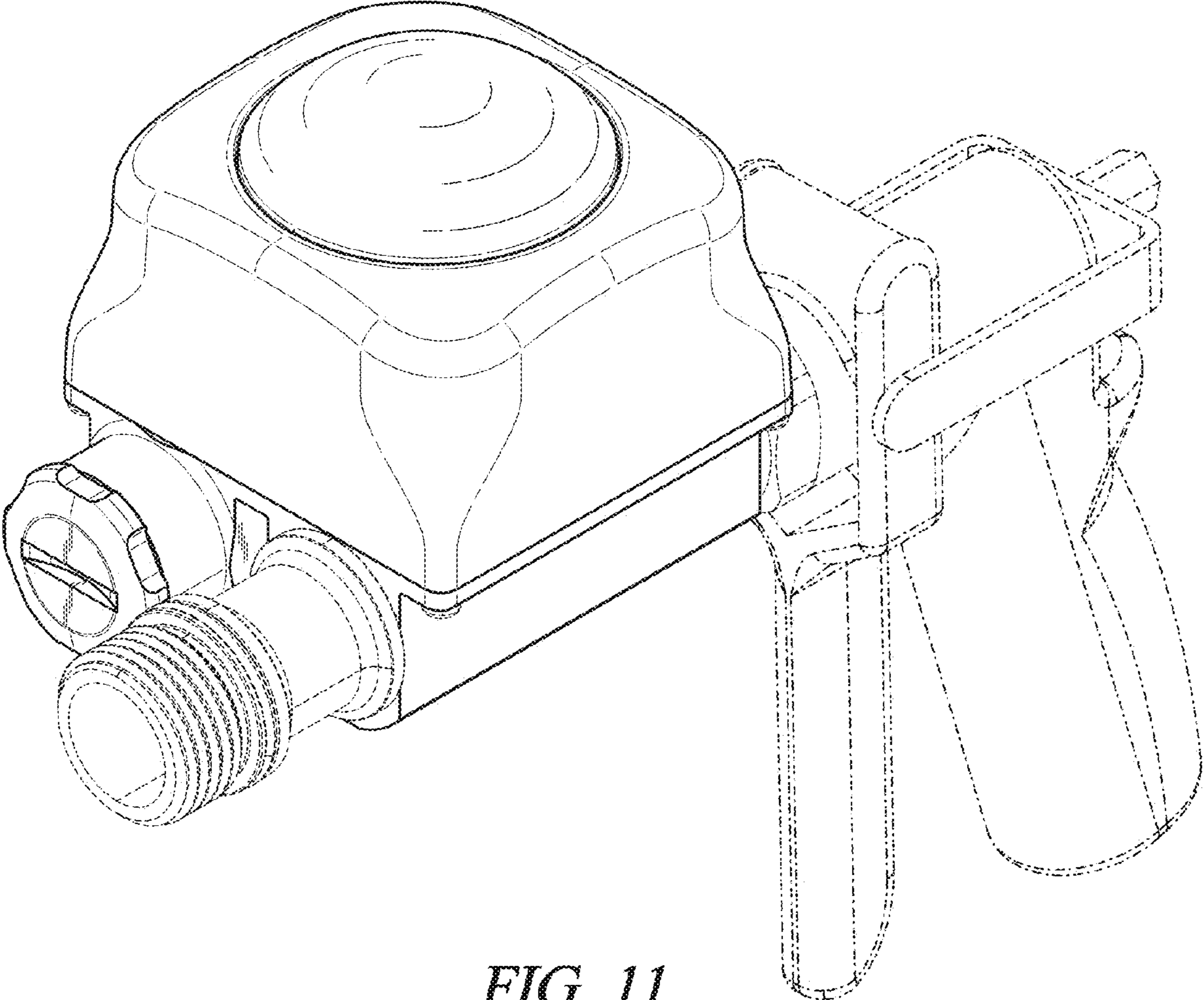


FIG. 11