



US00D957572S

(12) **United States Design Patent** (10) **Patent No.:** **US D957,572 S**
Huang (45) **Date of Patent:** **** Jul. 12, 2022**

- (54) **SPRAY NOZZLE**
- (71) Applicant: **Hung Ta Garden Enterprise Co., Ltd.**, Fenyuan Township, Changhua County (TW)
- (72) Inventor: **Guo-Luen Huang**, Fenyuan Township (TW)
- (73) Assignee: **Hung Ta Garden Enterprise Co., Ltd.**, Fenyuan Township (TW)

D604,390 S *	11/2009	Cheng	D23/223
D650,042 S *	12/2011	Nies	D23/223
D713,934 S *	9/2014	Mammen	D23/226
D768,817 S *	10/2016	Chen	D23/223
D792,944 S *	7/2017	Cheng	D23/224
D792,945 S *	7/2017	Cheng	D23/224
D792,947 S *	7/2017	Hung	D23/226
D800,255 S *	10/2017	Chen	D23/226
D822,160 S *	7/2018	Urry	D23/223
D846,072 S *	4/2019	Pease	D23/223
D924,022 S *	7/2021	Glover	D8/2

(**) Term: **15 Years**

(21) Appl. No.: **29/775,385**

(22) Filed: **Mar. 23, 2021**

(51) **LOC (13) Cl.** **23-01**

(52) **U.S. Cl.**
USPC **D23/223**

(58) **Field of Classification Search**
USPC D23/213, 214, 215, 222, 223, 224, 226,
D23/229, 230

CPC A61H 9/0021; A61H 33/00; B05B 1/00;
B05B 1/14; B05B 1/185; B05B 1/08;
B05B 1/02; B05B 1/26; B05B 12/002;
B05B 1/18; B05B 9/01

See application file for complete search history.

(56) **References Cited**

U.S. PATENT DOCUMENTS

D369,207 S *	4/1996	Wang	D23/223
D434,106 S *	11/2000	Hsin-Fa	D23/223
6,367,716 B1 *	4/2002	Wang	B05B 1/3026
				239/525
D564,065 S *	3/2008	Yu	D23/223
D576,252 S *	9/2008	Lo	D23/223
D584,380 S *	1/2009	Cheng	D23/223
D584,381 S *	1/2009	Hung	D23/223
D585,109 S *	1/2009	Cheng	D23/223

OTHER PUBLICATIONS

Solterra 56218 8—Pattern Garden Hose Nozzle, Jan. 16, 2020, Amazon.com, Sep. 8, 2021, URL: <https://www.amazon.com/Solterra-56218-8-Pattern-Garden-Control/dp/B07RJ6537W> (Year: 2020).*

(Continued)

Primary Examiner — Jack Reickel

Assistant Examiner — Keith J Wilson

(74) *Attorney, Agent, or Firm* — Karin L. Williams; Alan D. Kamrath; Mayer & Williams PC

(57) **CLAIM**

The ornamental design for a spray nozzle, as shown and described.

DESCRIPTION

FIG. 1 is a perspective view of a spray nozzle showing my new design;

FIG. 2 is a front view thereof;

FIG. 3 is a rear view thereof;

FIG. 4 is a left view thereof;

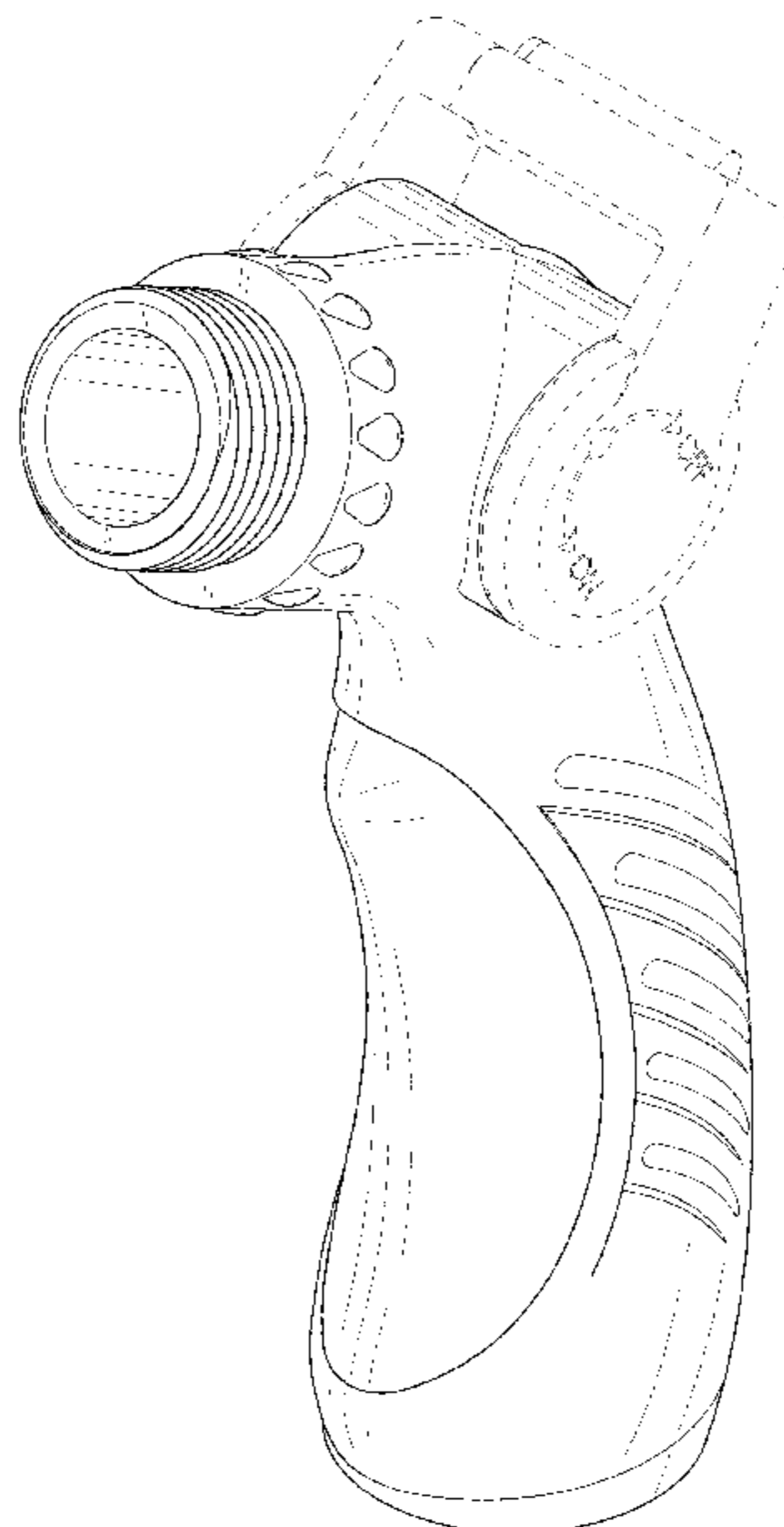
FIG. 5 is a right view thereof;

FIG. 6 is a top view thereof; and,

FIG. 7 is a bottom view thereof.

The broken line shown represents portions of a spray nozzle and form no part of the claimed design.

1 Claim, 6 Drawing Sheets



(56)

References Cited

OTHER PUBLICATIONS

Green Mount Garden Hose Nozzle, May 9, 2020, Amazon.com, Sep. 8, 2021, URL: <https://www.amazon.com/dp/B08RRVGQ8G> (Year: 2020).*

Orbit Max 26701 Thumb Control Adjustable Nozzle, Dec. 13, 2018, Amazon.com, Sep. 8, 2021, URL: <https://www.amazon.com/Orbit-Max-Control-Adjustable-Nozzle/dp/B07L39M8XS> (Year: 2018).*

Garden Hose Nozzle—10 Adjustable Patterns Metal High Pressure, Mar. 20, 2021, amazon.ca, URL: <https://www.amazon.ca/dp/B08TGZGY9P/> (Year: 2021).*

Amazon Basics Garden Tool Collection—3-way Rear Trigger Nozzle, Jan. 31, 2020, amazon.ca, Apr. 5, 2022, URL: <https://www.amazon.ca/dp/B0813ZM38S/> (Year: 2020).*

“Plastic Spray Nozzle” Apr. 23, 2019, Aquahung, site visited Apr. 6, 2022: <https://www.aquahung.com/plastic-spray-nozzle.html> (Year: 2019).*

* cited by examiner

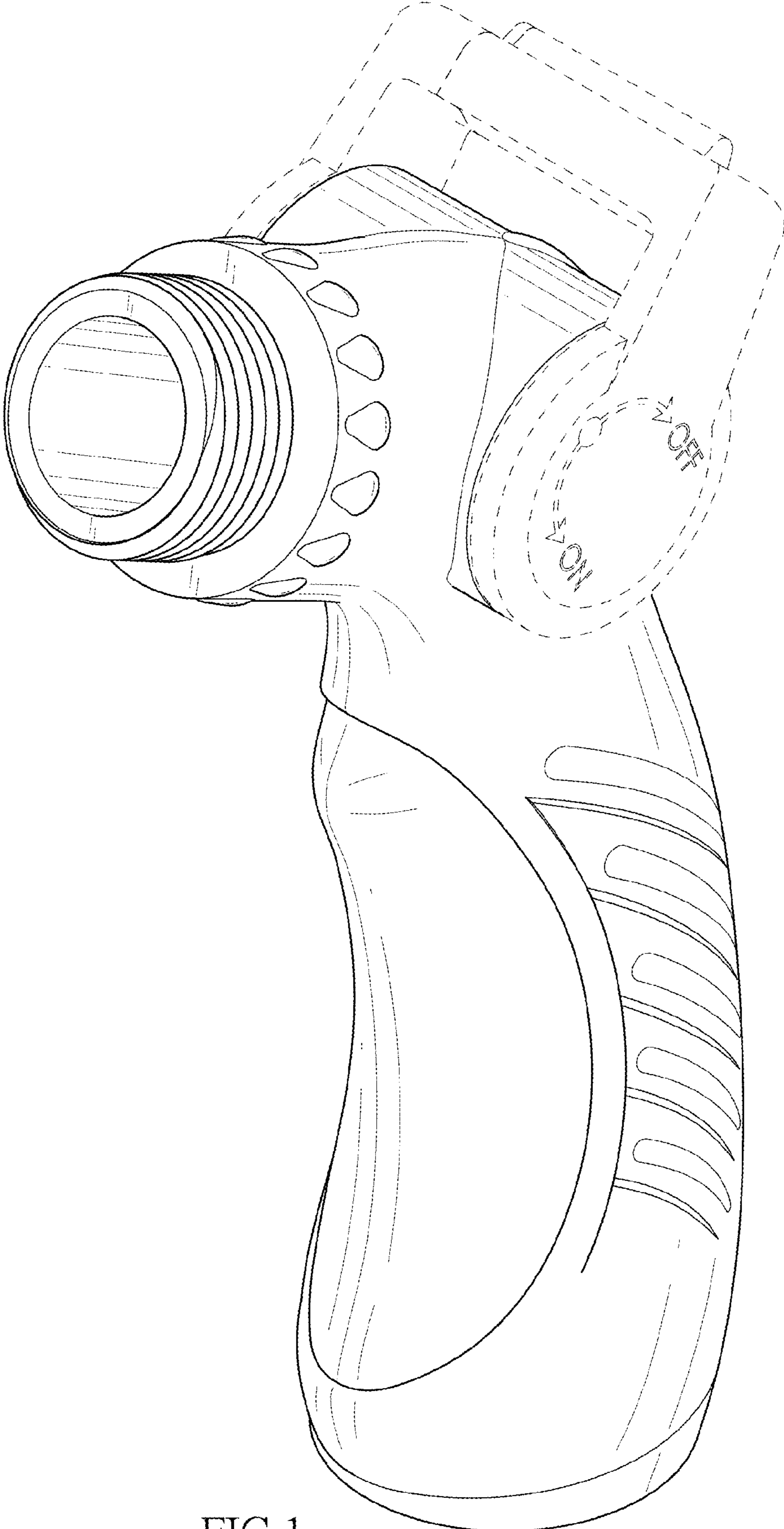


FIG.1

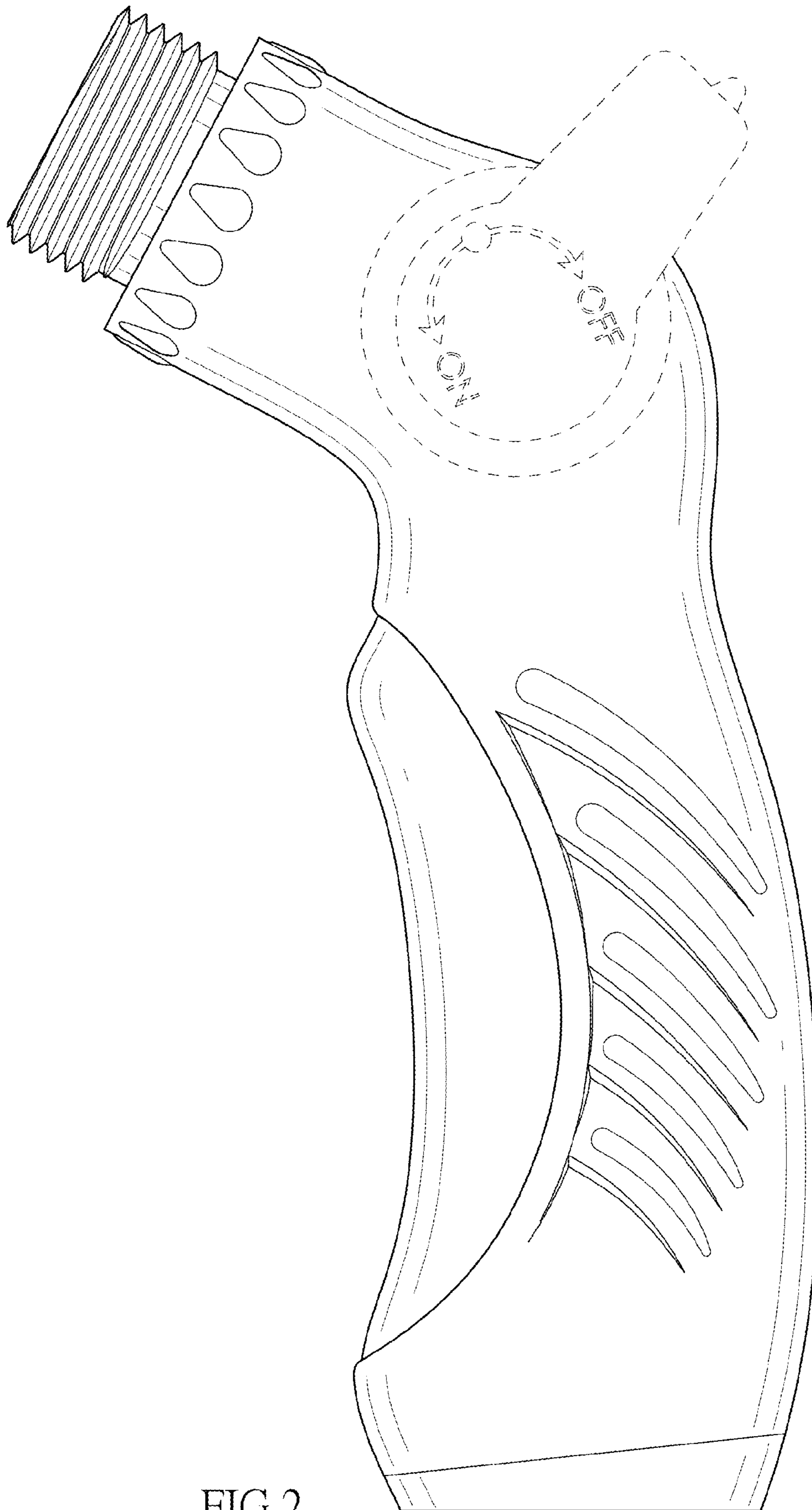


FIG.2

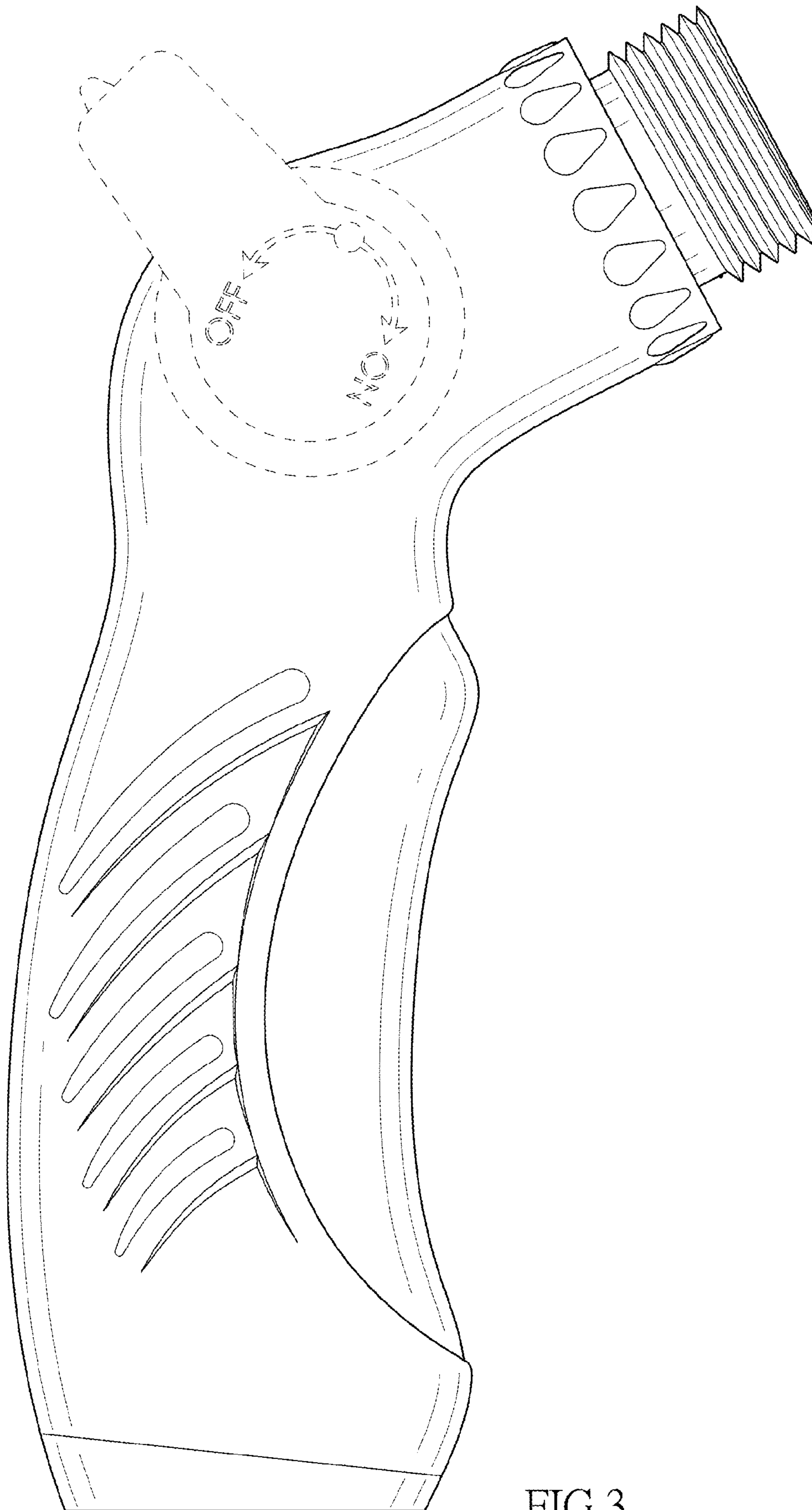


FIG.3

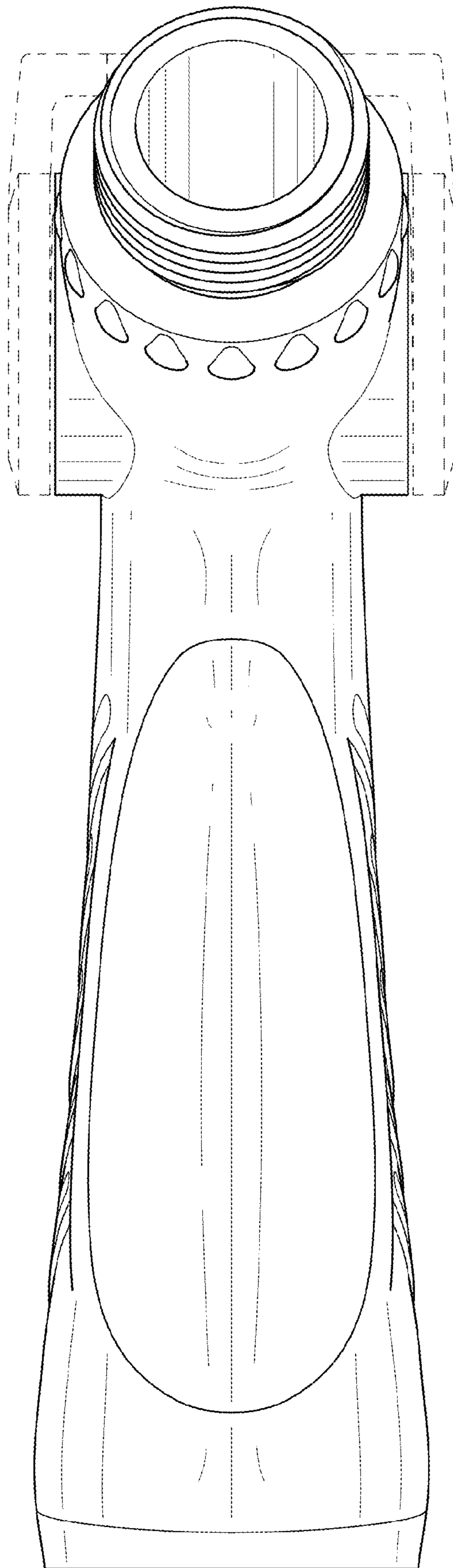


FIG.4

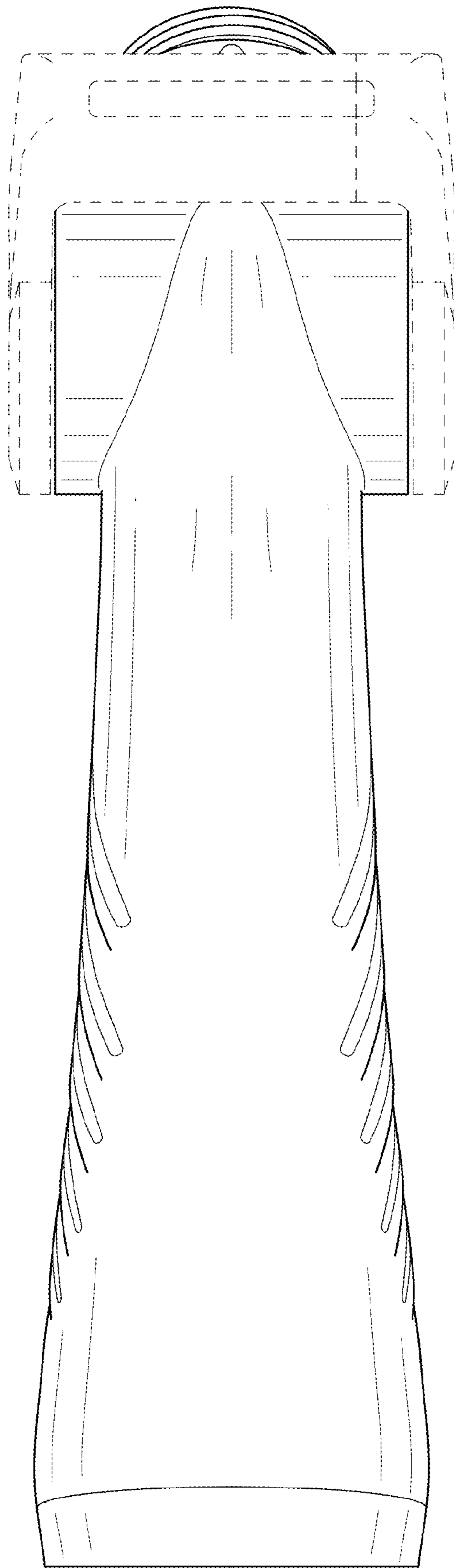


FIG.5

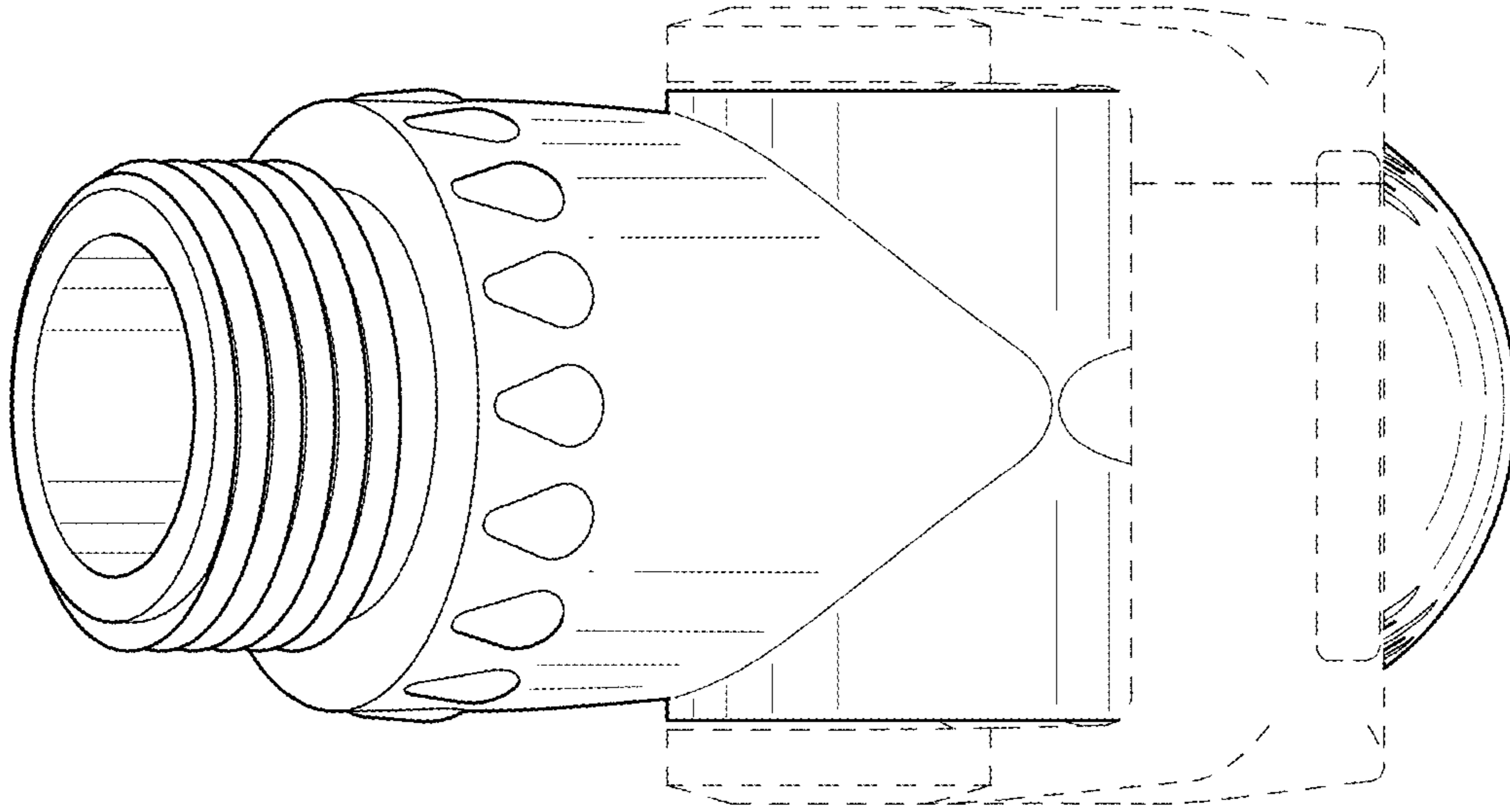


FIG.6

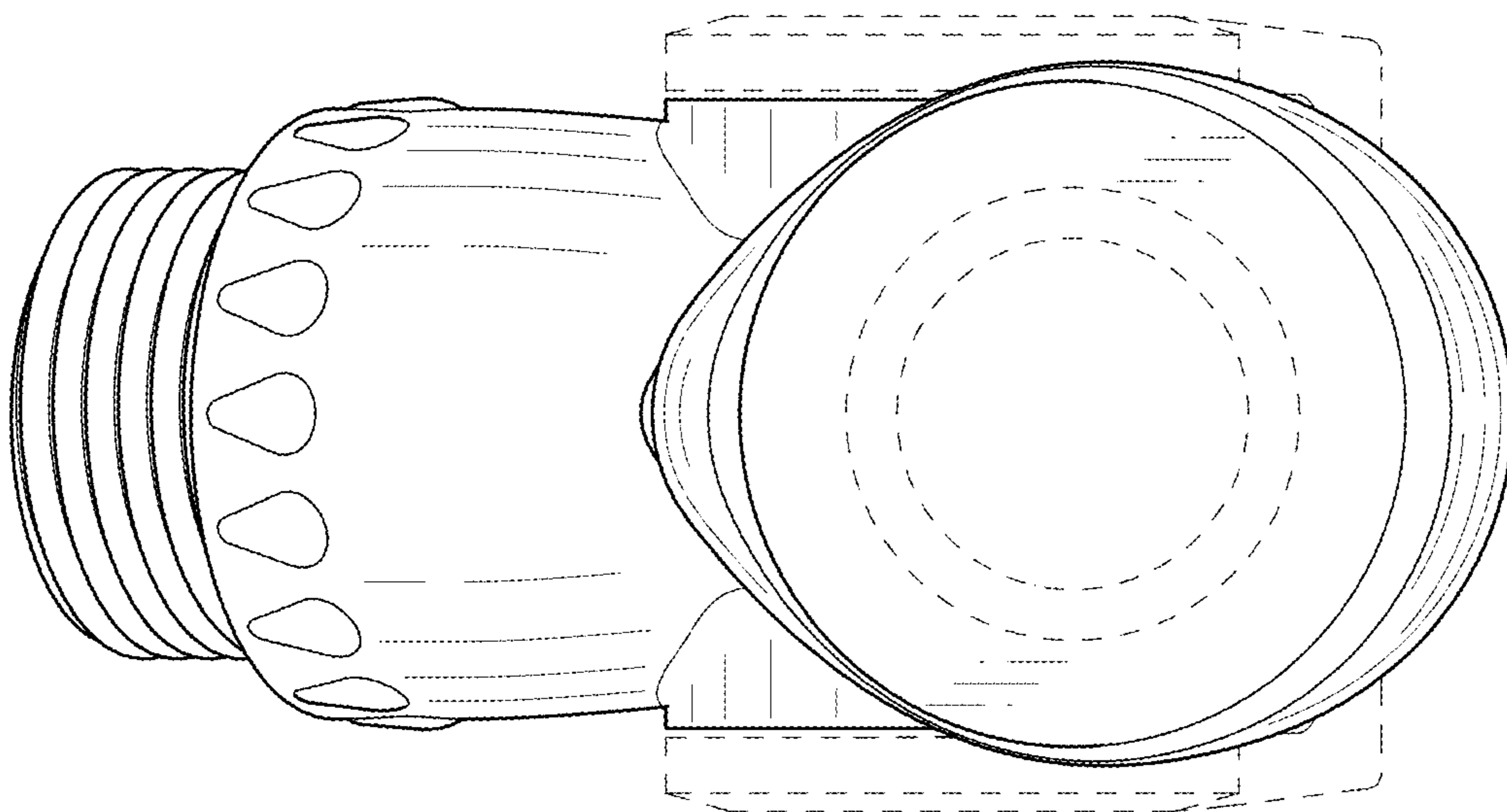


FIG.7