

US00D957570S

(12) **United States Design Patent**  
**Mazz et al.**

(10) **Patent No.:** **US D957,570 S**  
(45) **Date of Patent:** **\*\* Jul. 12, 2022**

(54) **HANDSHOWER**

(71) Applicant: **KOHLER CO**, Kohler, WI (US)

(72) Inventors: **Margaret C. Mazz**, Sheboygan, WI (US); **Yutong Wu**, Sheboygan, WI (US)

(73) Assignee: **KOHLER CO.**, Kohler, WI (US)

(\*\*) Term: **15 Years**

(21) Appl. No.: **29/753,876**

(22) Filed: **Oct. 2, 2020**

(51) **LOC (13) Cl.** ..... **23-01**

(52) **U.S. Cl.**  
USPC ..... **D23/223**

(58) **Field of Classification Search**  
USPC ..... D23/213, 223, 224, 226, 228, 229, 238,  
D23/239, 240, 241, 242, 250  
CPC ..... B05B 1/16; B05B 1/1618; B05B 1/18;  
E03C 1/0401; E03C 1/0404; E03C  
1/0405; E03C 1/0408; E03C 1/041; E03C  
1/066; E03C 2001/0415  
See application file for complete search history.

(56) **References Cited**

**U.S. PATENT DOCUMENTS**

4,056,229	A	*	11/1977	Jones	.....	B05B 15/62 239/567
D481,107	S	*	10/2003	Lord	.....	D23/255
D488,211	S	*	4/2004	Lord	.....	D23/255
D518,145	S	*	3/2006	Nikles	.....	D23/223
D560,270	S	*	1/2008	Sneddon	.....	D23/223
D581,014	S	*	11/2008	Quinn	.....	D23/223
D590,048	S	*	4/2009	Leber	.....	D23/223
D629,868	S		12/2010	Barnard		

(Continued)

**OTHER PUBLICATIONS**

Kohler Statement Oval Handshower K-26284, Feb. 14, 2022,  
Kohler, site visited Feb. 14, 2022: <https://www.us.kohler.com/us/>

statement-oval-multifunction-2.5-gpm-handshower-with-katalyst-air-induction-technology/productDetail/handshowers/1869419.htm (Year: 2022).\*

(Continued)

*Primary Examiner* — Jack Reickel

*Assistant Examiner* — Bobby W Jones, II

(74) *Attorney, Agent, or Firm* — Foley & Lardner LLP

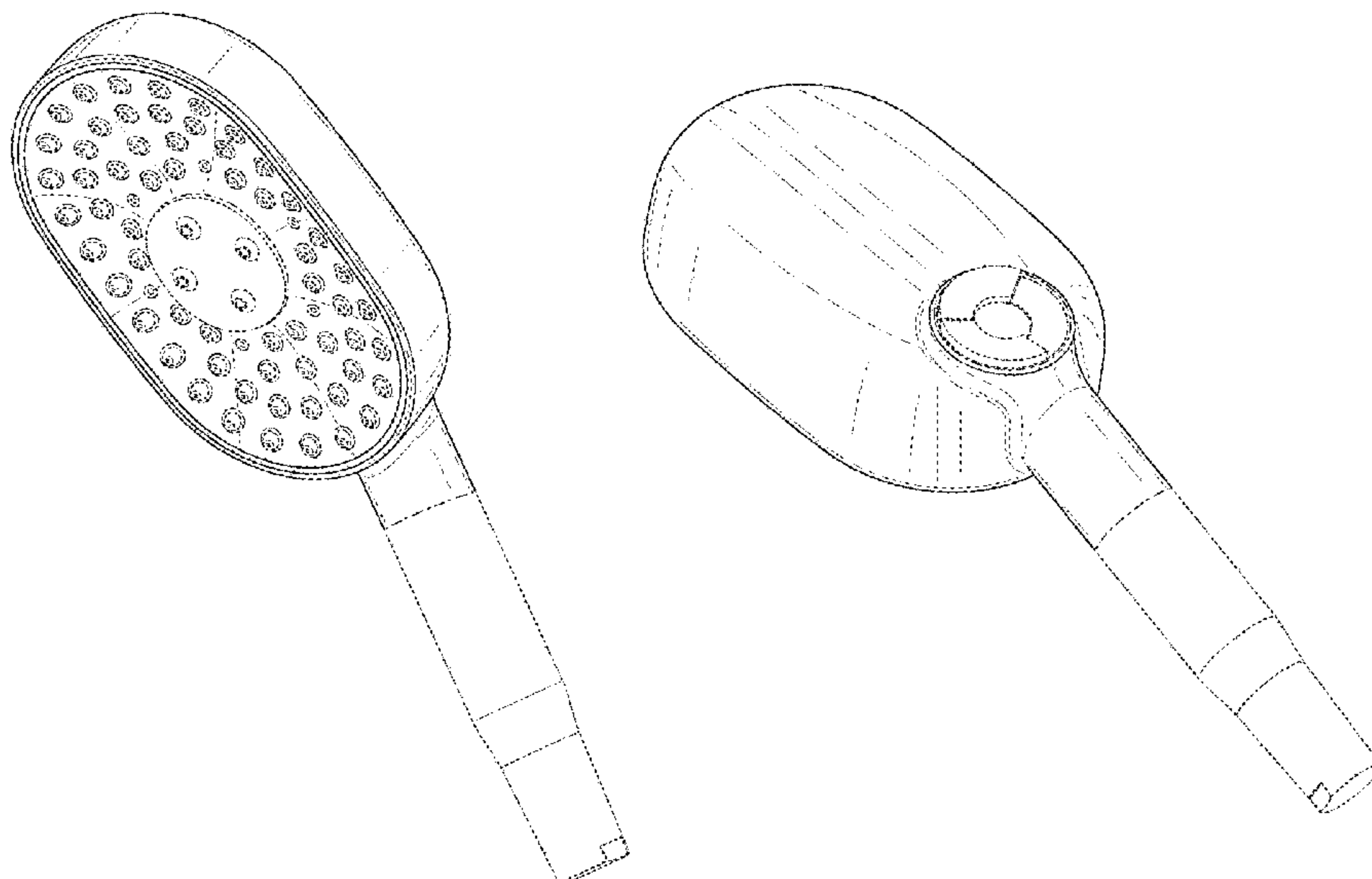
(57) **CLAIM**

We claim the ornamental design for a handshower, as shown and described.

**DESCRIPTION**

FIG. 1 is a perspective view of the claimed design;  
FIG. 2 is a top view of the claimed design shown in FIG. 1;  
FIG. 3 is a bottom view of the claimed design shown in FIG. 1;  
FIG. 4 is a side view of the claimed design shown in FIG. 1;  
FIG. 5 is another side view of the claimed design shown in FIG. 1;  
FIG. 6 is a front view of the claimed design shown in FIG. 1;  
FIG. 7 is a rear view of the claimed design shown in FIG. 1; and,  
FIG. 8 is another perspective view of the claimed design shown in FIG. 1.  
The ornamental design that is claimed is shown in the drawings as solid lines and surfaces having surface shading: The broken lines in the drawings are for illustrative purposes only and form no part of the claimed design. For example, broken lines formed by equal length dashes show unclaimed portions of the design. Broken lines formed of unequal length dashes (i.e., dash-dot) show boundaries between either claimed and unclaimed portions of the design or between unclaimed and unclaimed portions of the design.

**1 Claim, 7 Drawing Sheets**



(56)

**References Cited**

U.S. PATENT DOCUMENTS

D655,388 S \* 3/2012 Schoenherr ..... D23/223  
 D660,402 S \* 5/2012 Flowers ..... D23/223  
 D713,003 S 9/2014 Sandee  
 D713,498 S \* 9/2014 Schoenherr ..... D23/223  
 8,919,671 B2 \* 12/2014 Yu ..... B05B 1/1627  
 239/447  
 D803,350 S \* 11/2017 Tian ..... D23/228  
 D920,475 S \* 5/2021 Michalak ..... D23/226  
 2010/0294859 A1 \* 11/2010 Chen ..... B05B 15/652  
 239/548  
 2013/0193238 A1 \* 8/2013 Yu ..... E03C 1/0409  
 239/558  
 2019/0299224 A1 \* 10/2019 Wu ..... B05B 1/16  
 2020/0238306 A1 \* 7/2020 Su ..... B05B 1/185

OTHER PUBLICATIONS

Kohler Statement Oval Handshower K-26284 Specification Sheet, Jan. 8, 2022, Kohler, site visited Feb. 14, 2022: [https://www.us.kohler.com/webassets/kpna/catalog/pdf/en/K-26288-G\\_spec\\_US-CA\\_Kohler\\_en.pdf](https://www.us.kohler.com/webassets/kpna/catalog/pdf/en/K-26288-G_spec_US-CA_Kohler_en.pdf) (Year: 2022).\*

AKDY 11 Inch Oval Deluxe Rainfall Shower Head, Sep. 13, 2019, Amazon, site visited Feb. 14, 2022: <https://www.amazon.com/dp/B07XWFZYH2/> (Year: 2019).\*

DreamSpa Ultra-Luxury Shower Head, Mar. 21, 2016, Amazon, site visited Feb. 14, 2022: <https://www.amazon.com/dp/B019NCXIKE/> (Year: 2016).\*

Supreme.co.in, Chrome Series—Hand Shower Rectangle, [visited Jan. 18, 2022]. Internet URL: <https://www.supreme.co.in/plastic-piping-system/product/chrome-series-hand-shower-rectangle/>.

\* cited by examiner

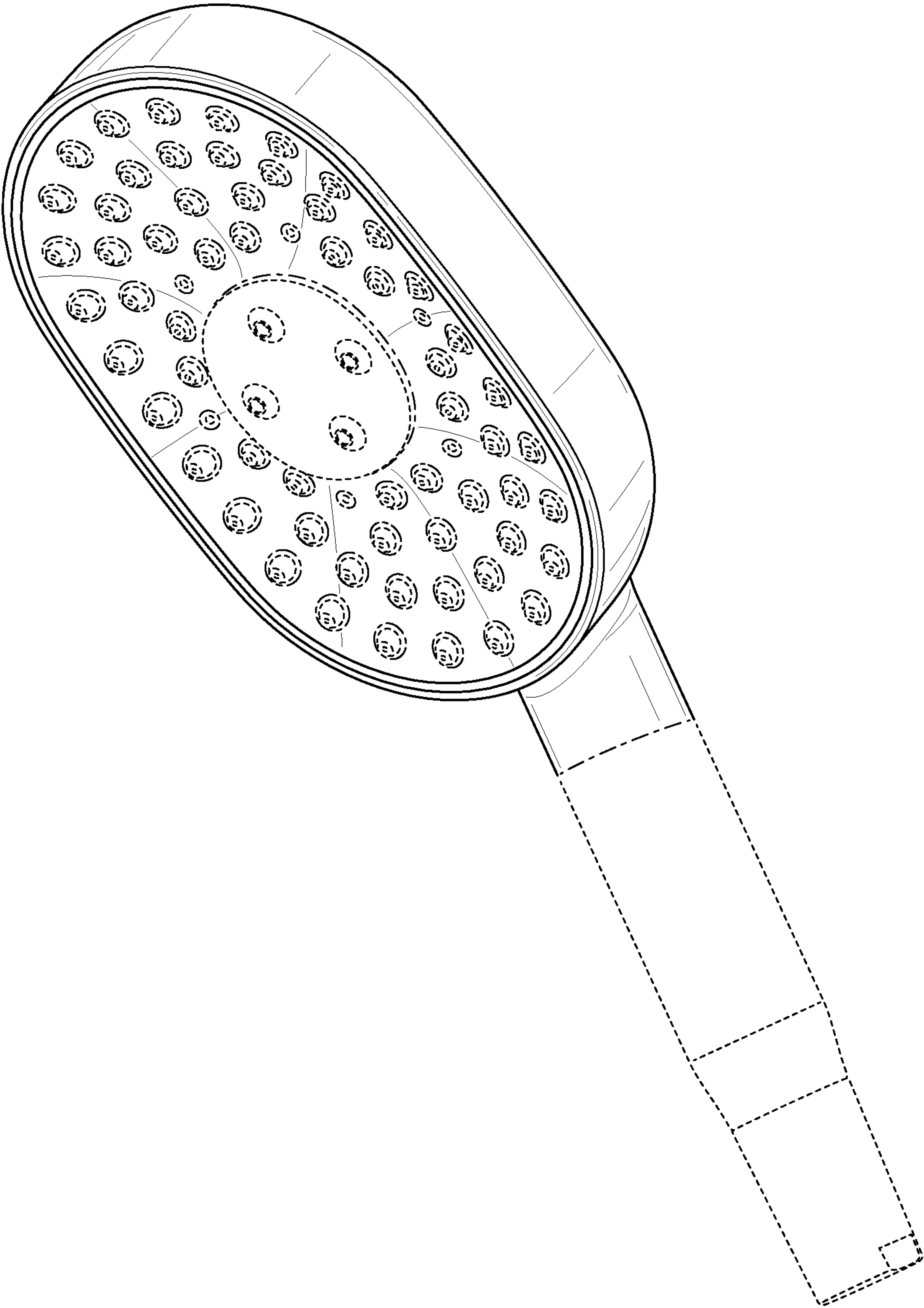
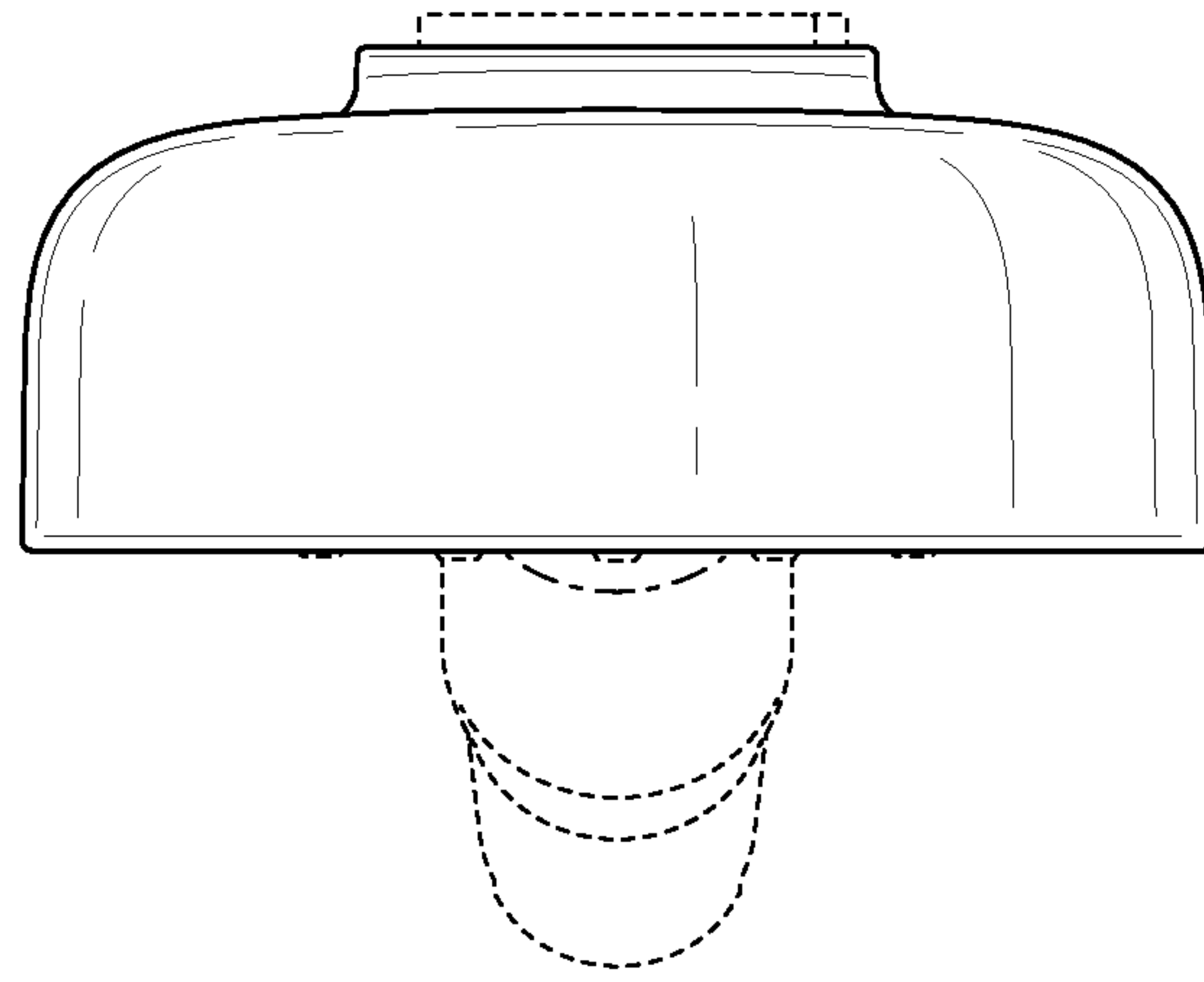
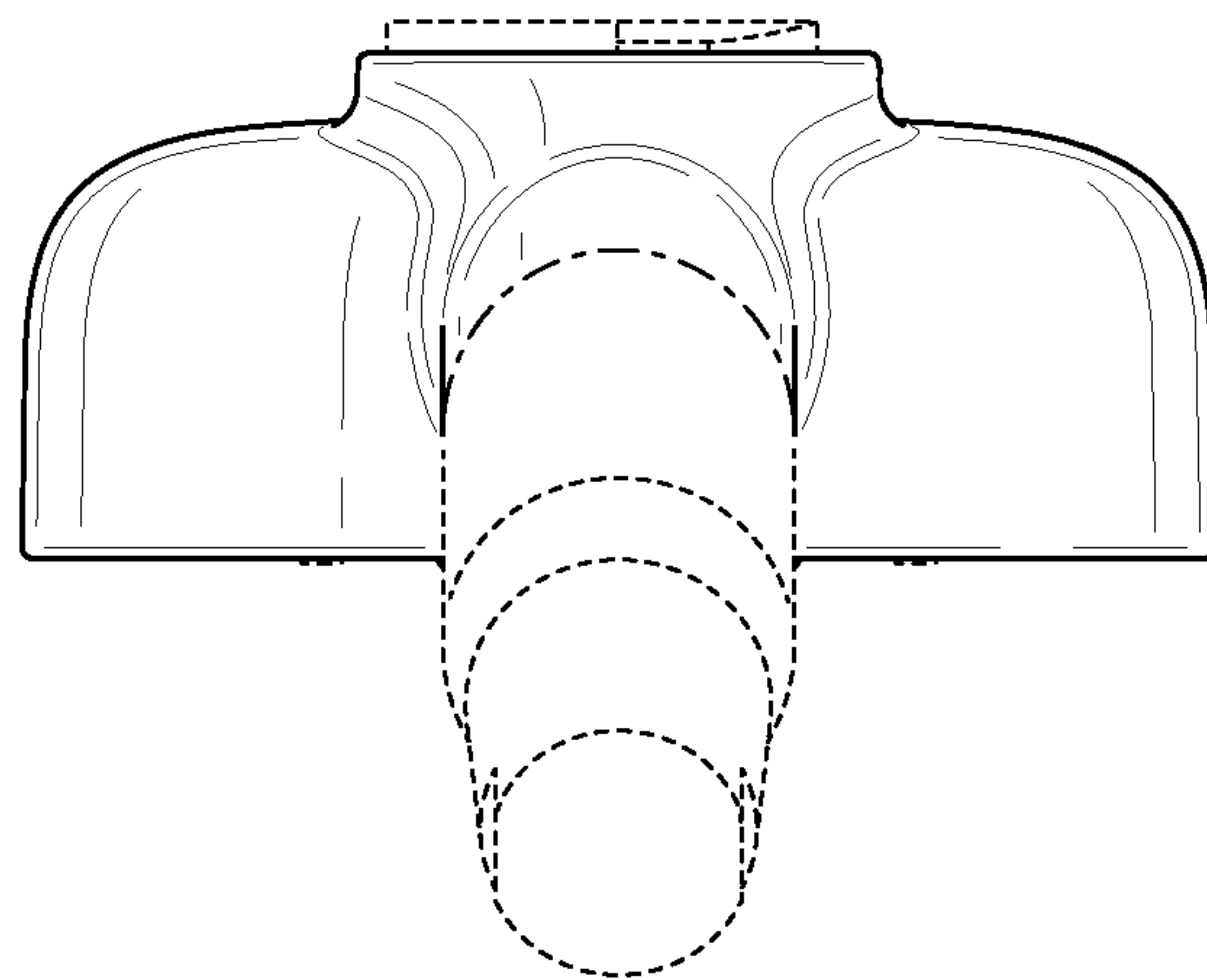


FIG. 1



**FIG. 2**



**FIG. 3**

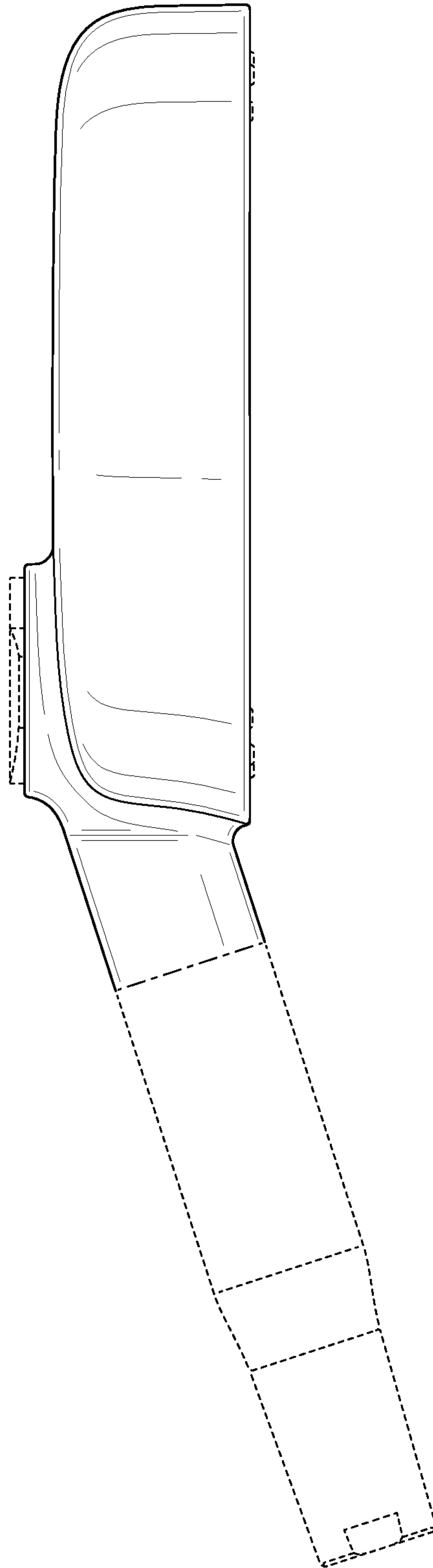
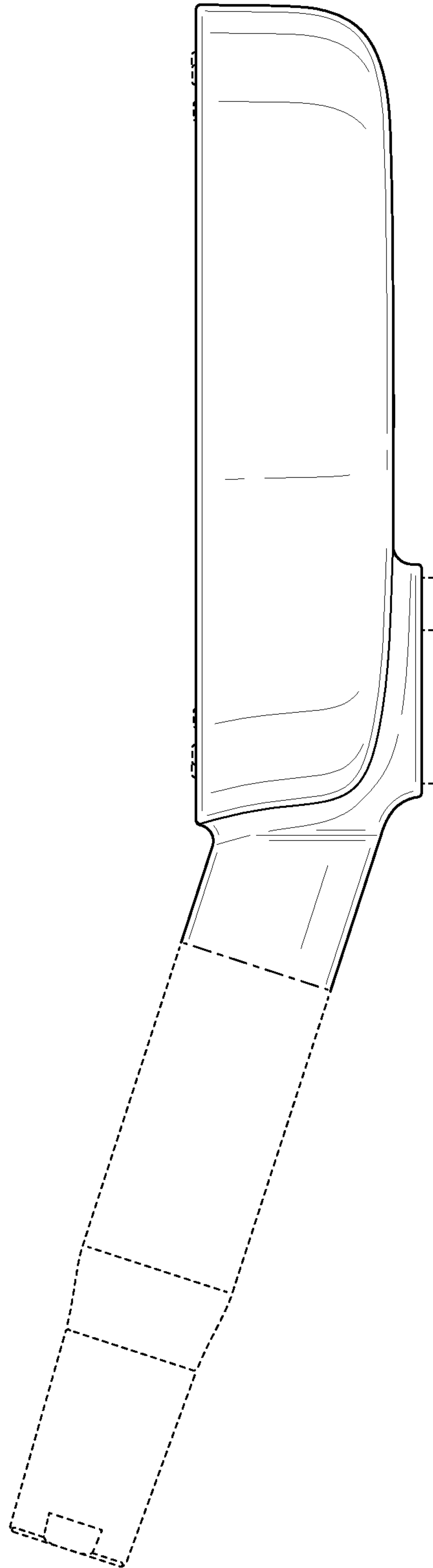
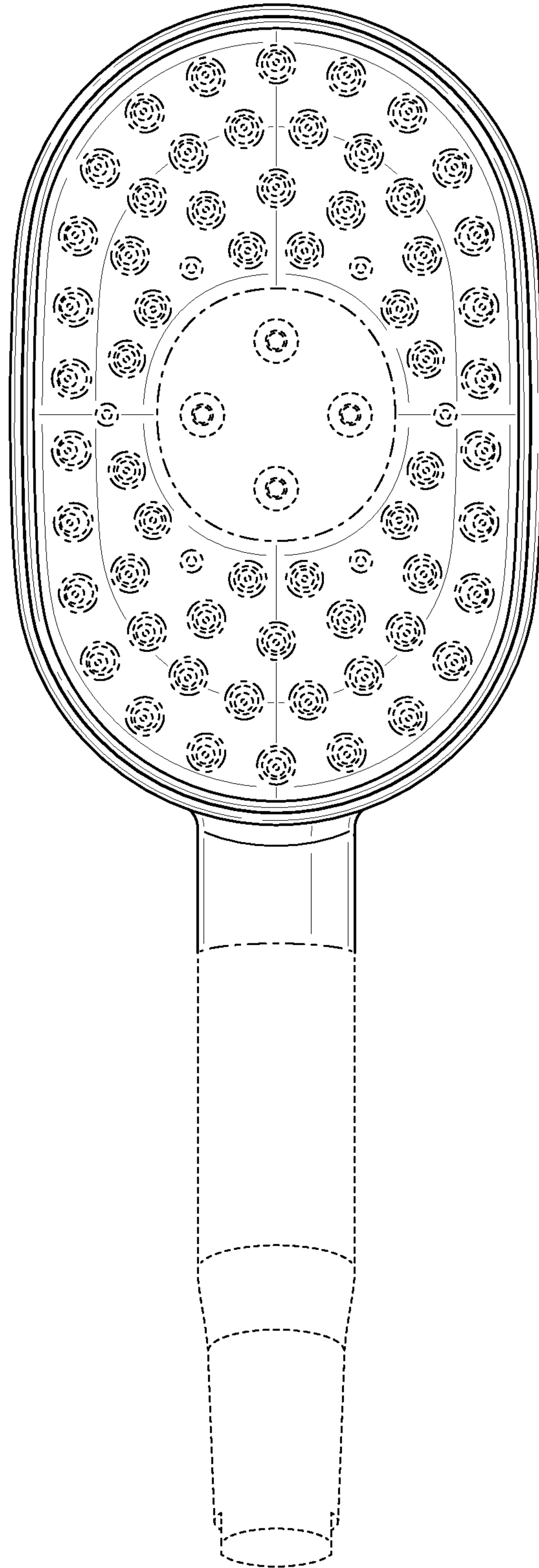


FIG. 4



**FIG. 5**





**FIG. 6**

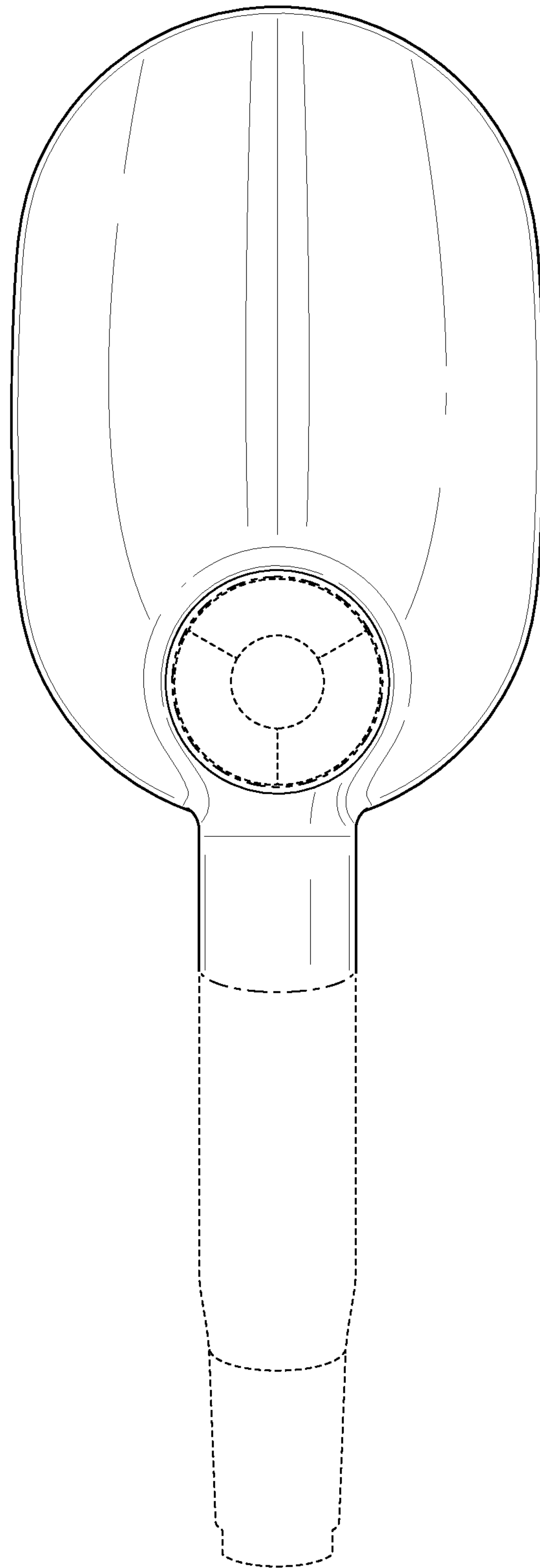
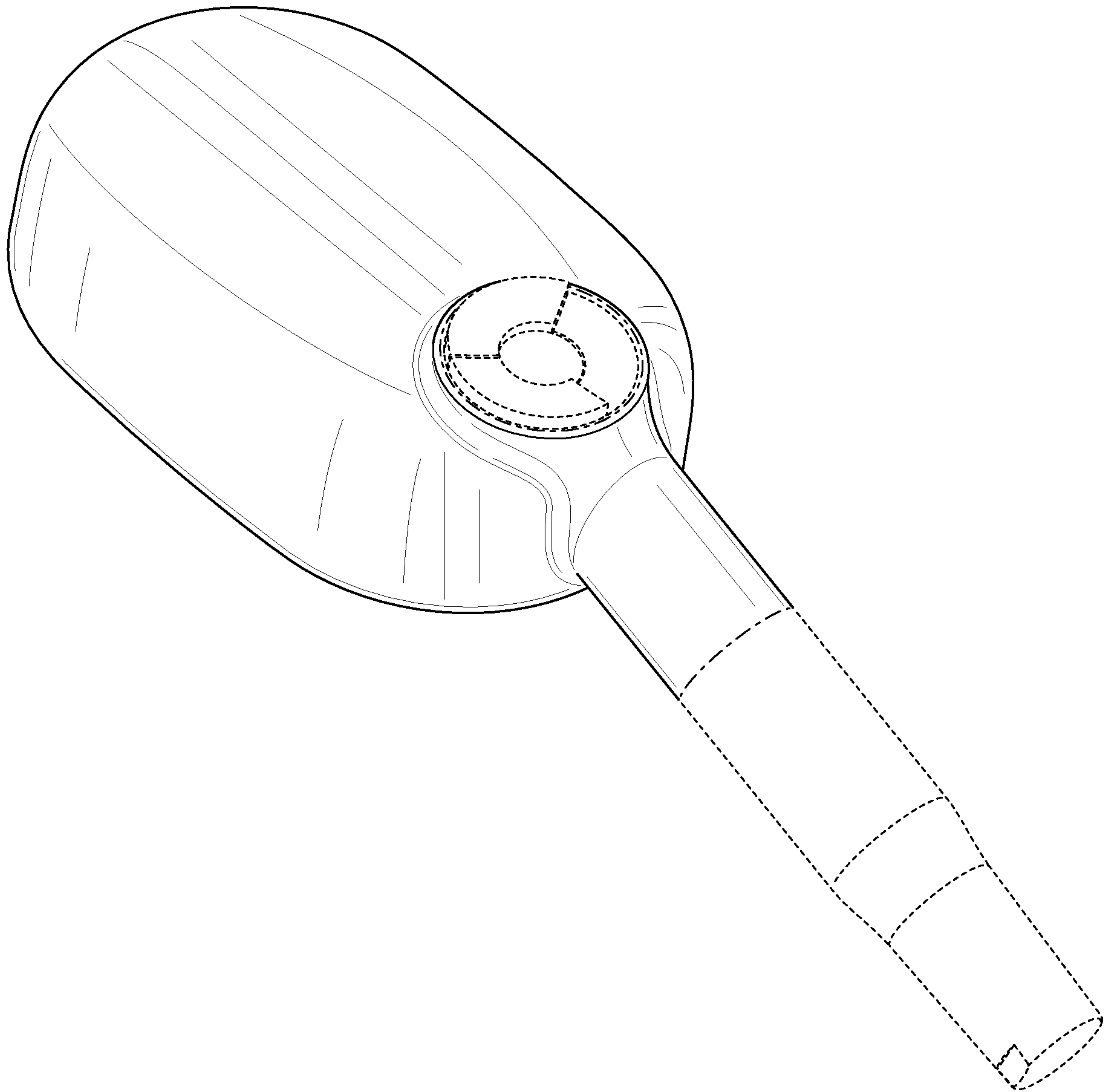


FIG. 7





**FIG. 8**