



US00D957566S

(12) **United States Design Patent** (10) **Patent No.:** **US D957,566 S**
Yang (45) **Date of Patent:** **** Jul. 12, 2022**

(54) **MOUSE TRAP**

(71) Applicant: **Lie Yang**, Dongguan (CN)

(72) Inventor: **Lie Yang**, Dongguan (CN)

(**) Term: **15 Years**

(21) Appl. No.: **29/764,357**

(22) Filed: **Dec. 29, 2020**

(51) **LOC (13) Cl.** **22-06**

(52) **U.S. Cl.**
USPC **D22/119**

(58) **Field of Classification Search**
USPC D22/119; 43/62
CPC A01M 23/00; A01M 23/04; A01M 23/08;
A01M 23/16; A01M 23/22; A01M 23/30;
A01K 29/00

See application file for complete search history.

(56) **References Cited**

U.S. PATENT DOCUMENTS

4,550,523	A *	11/1985	Spiller	A01M 23/18
					43/61
4,578,892	A *	4/1986	Melton	A01M 23/18
					43/60
6,564,501	B1 *	5/2003	Schislyonok	A01M 23/18
					43/61
D890,289	S *	7/2020	Luo	D22/119
D948,656	S *	4/2022	Zhang	D22/119
2008/0216386	A1 *	9/2008	Le Laidier	A01M 23/20
					43/67

OTHER PUBLICATIONS

https://www.amazon.com/s?k=victor+live+catch+humane+mouse+trap+m007&crd=3T74UU6AI8X9E&sprefix=victor+live+catch+humane+mouse+tra%2Caps%2C65&ref=nb_sb_ss_ts-doa-p_1_34
(Year: 2013).*

https://www.solutionsstores.com/tip-trap?gclid=EAlalQobChMI5b6j7lur9w1VhwqtBh3f5gfxEAQYBSABEglV3vD_BwE#156=966
(Year: 2018).*

* cited by examiner

Primary Examiner — Catherine R Oliver-Garcia

(57) **CLAIM**

The ornamental design for a mouse trap, as shown and described.

DESCRIPTION

FIG. 1 is a perspective view of a mouse trap showing my new design;

FIG. 2 is another perspective view thereof;

FIG. 3 is another perspective view thereof;

FIG. 4 is a front elevational view thereof;

FIG. 5 is a rear elevational view thereof;

FIG. 6 is a left side elevational view thereof;

FIG. 7 is a right side elevational view thereof;

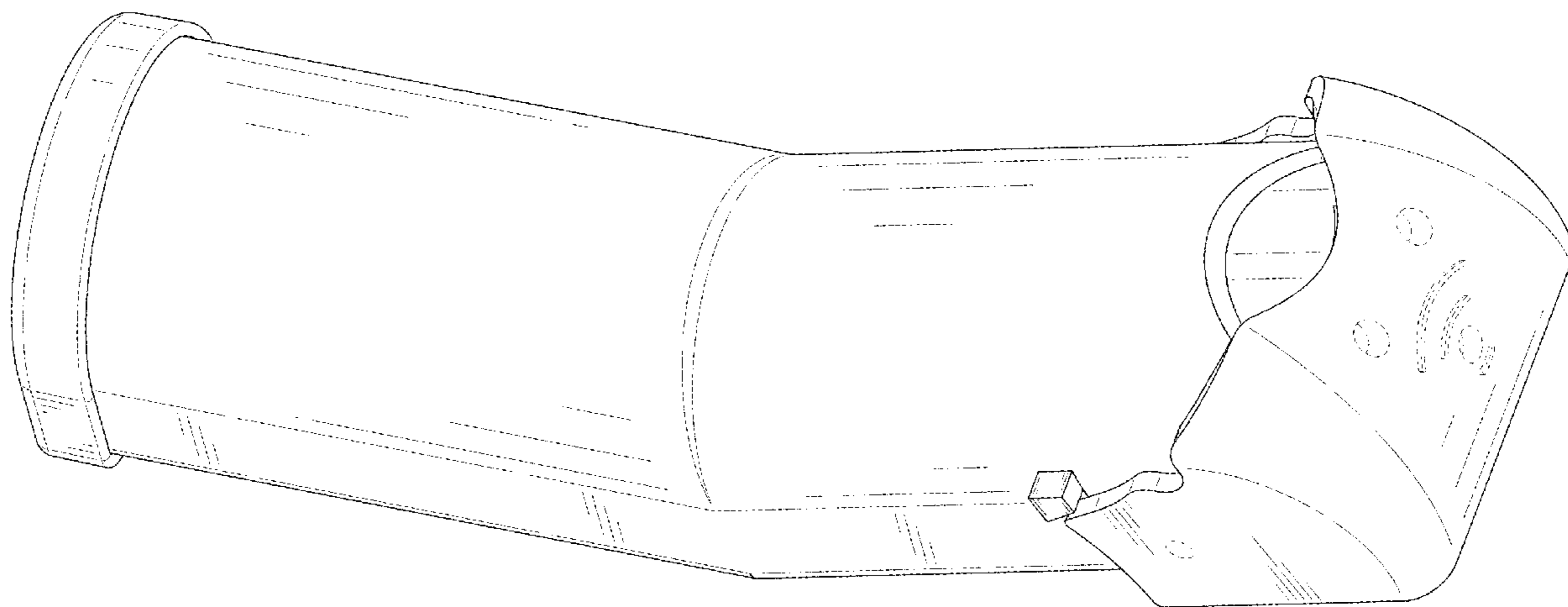
FIG. 8 is a top plan view thereof;

FIG. 9 is a bottom plan view thereof; and,

FIG. 10 is a perspective view of the mouse trap where the mouse trap is in a configuration of use.

The broken lines in the drawings depict portions of the mouse trap that form no part of the claimed design.

1 Claim, 10 Drawing Sheets



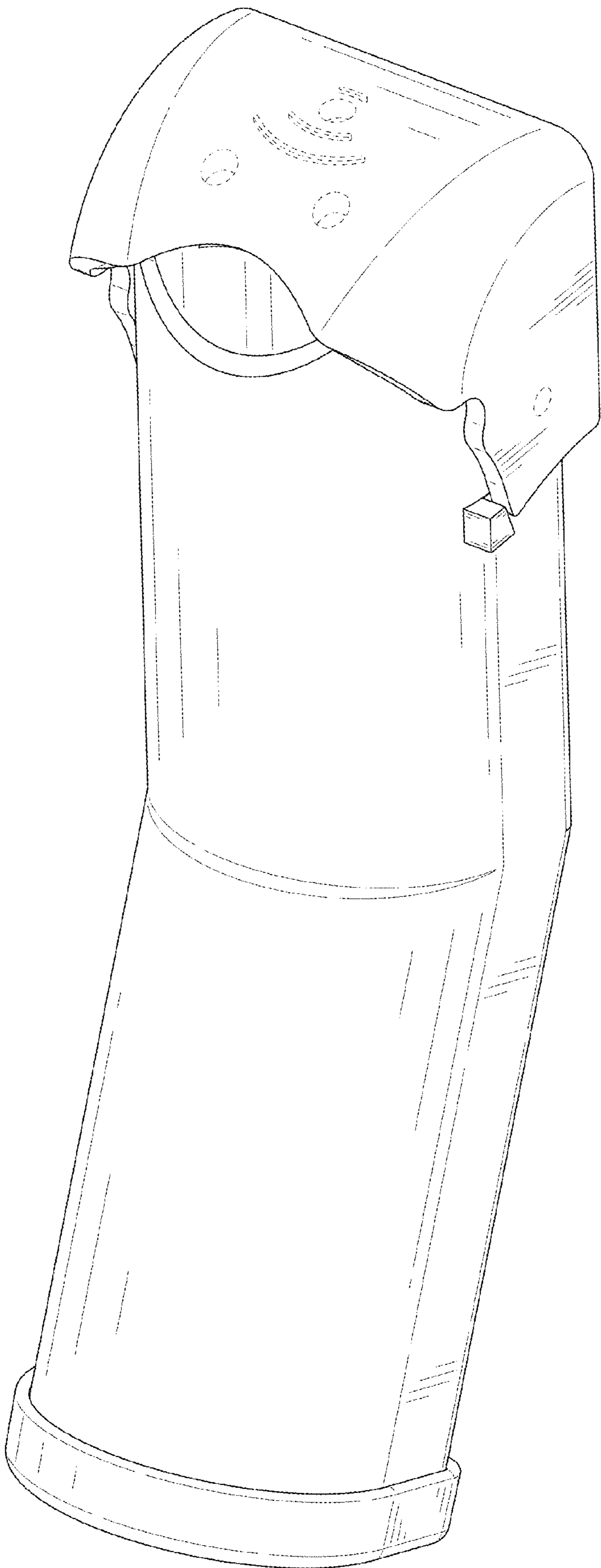


FIG. 1

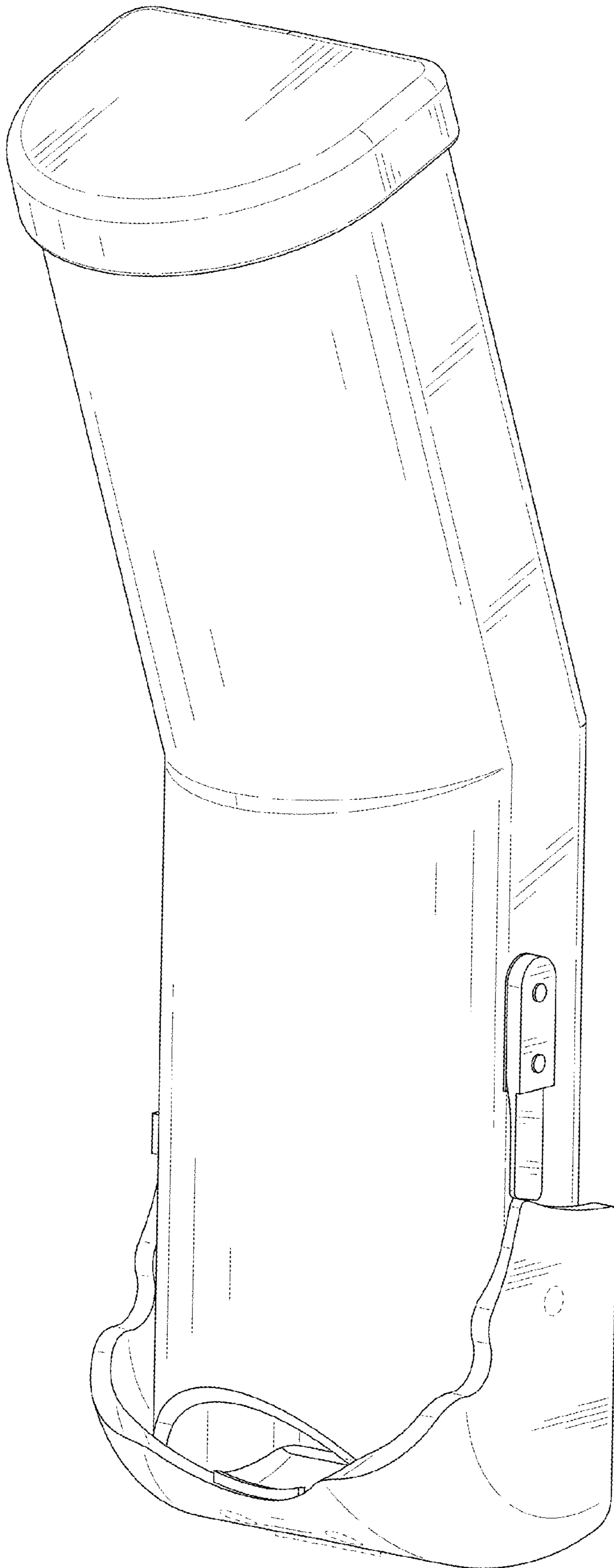


FIG. 2

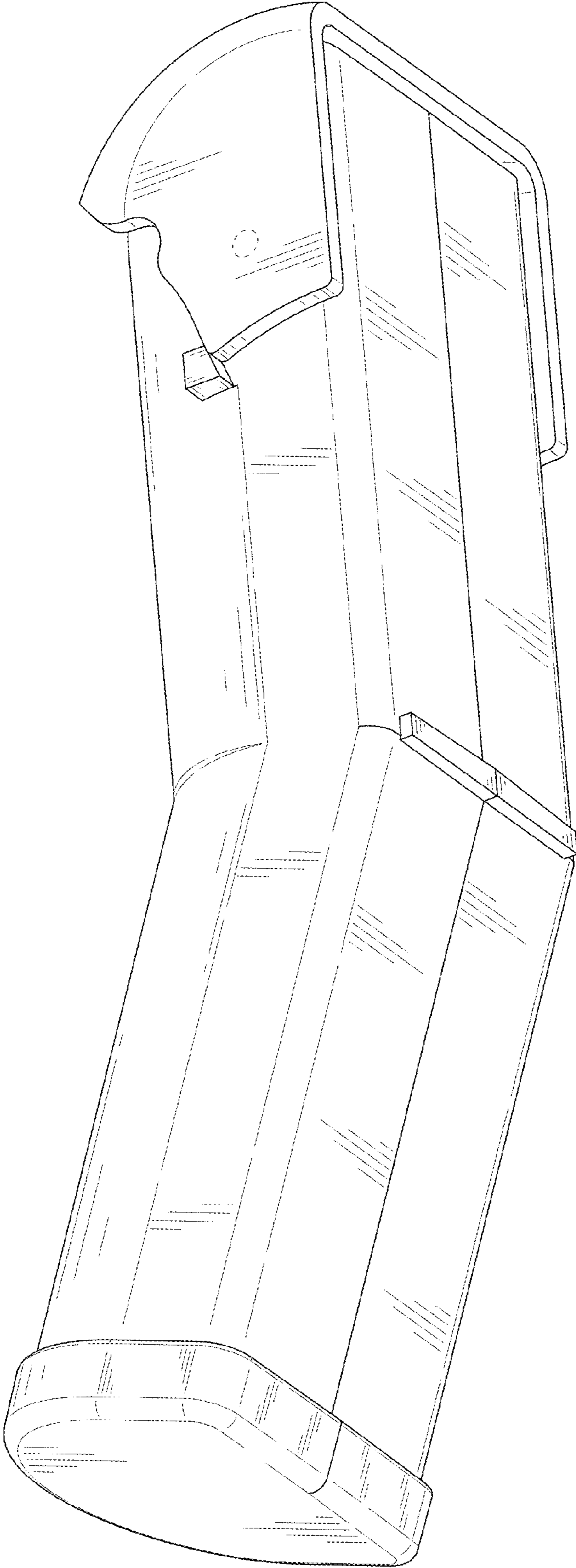


FIG. 3

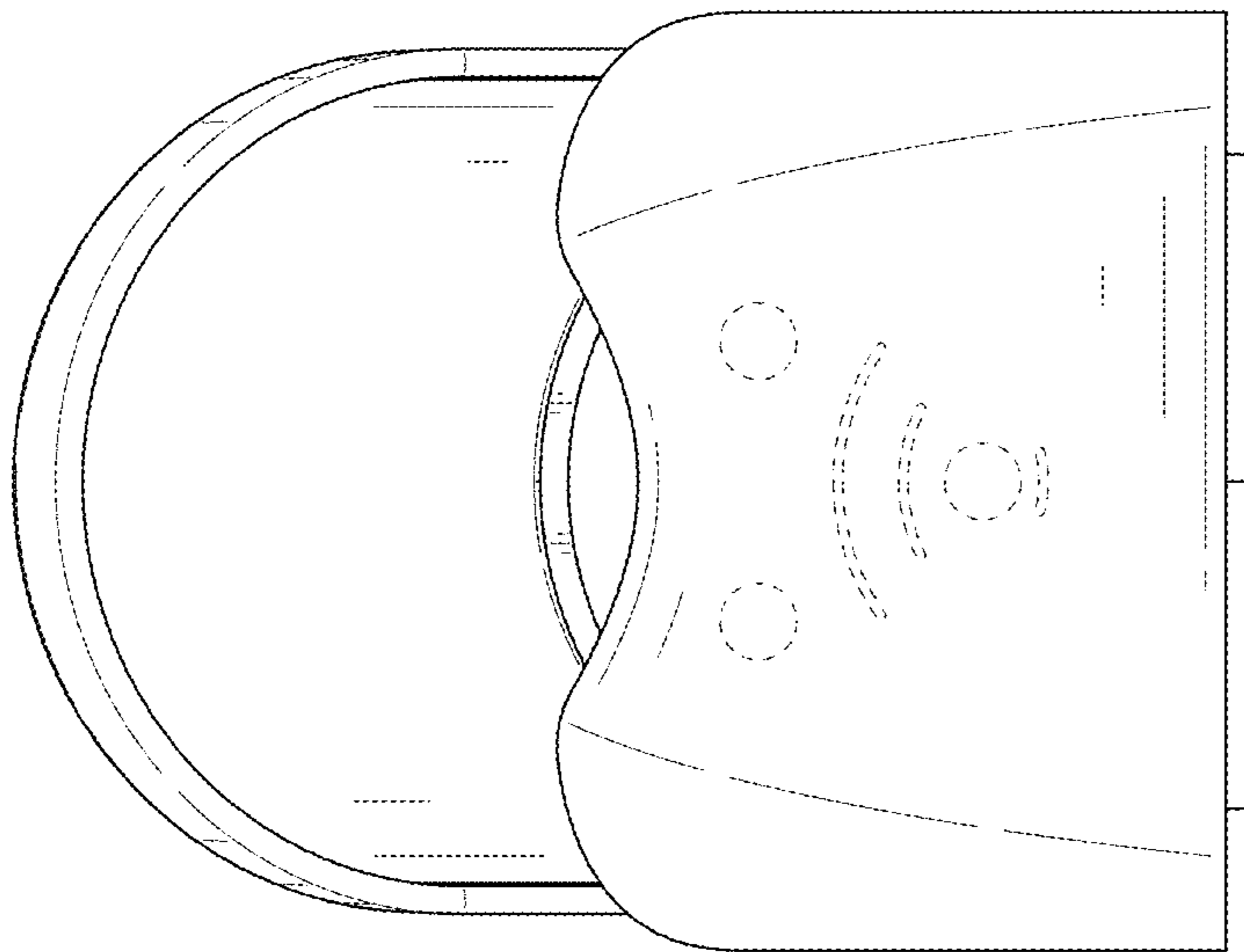


FIG. 4

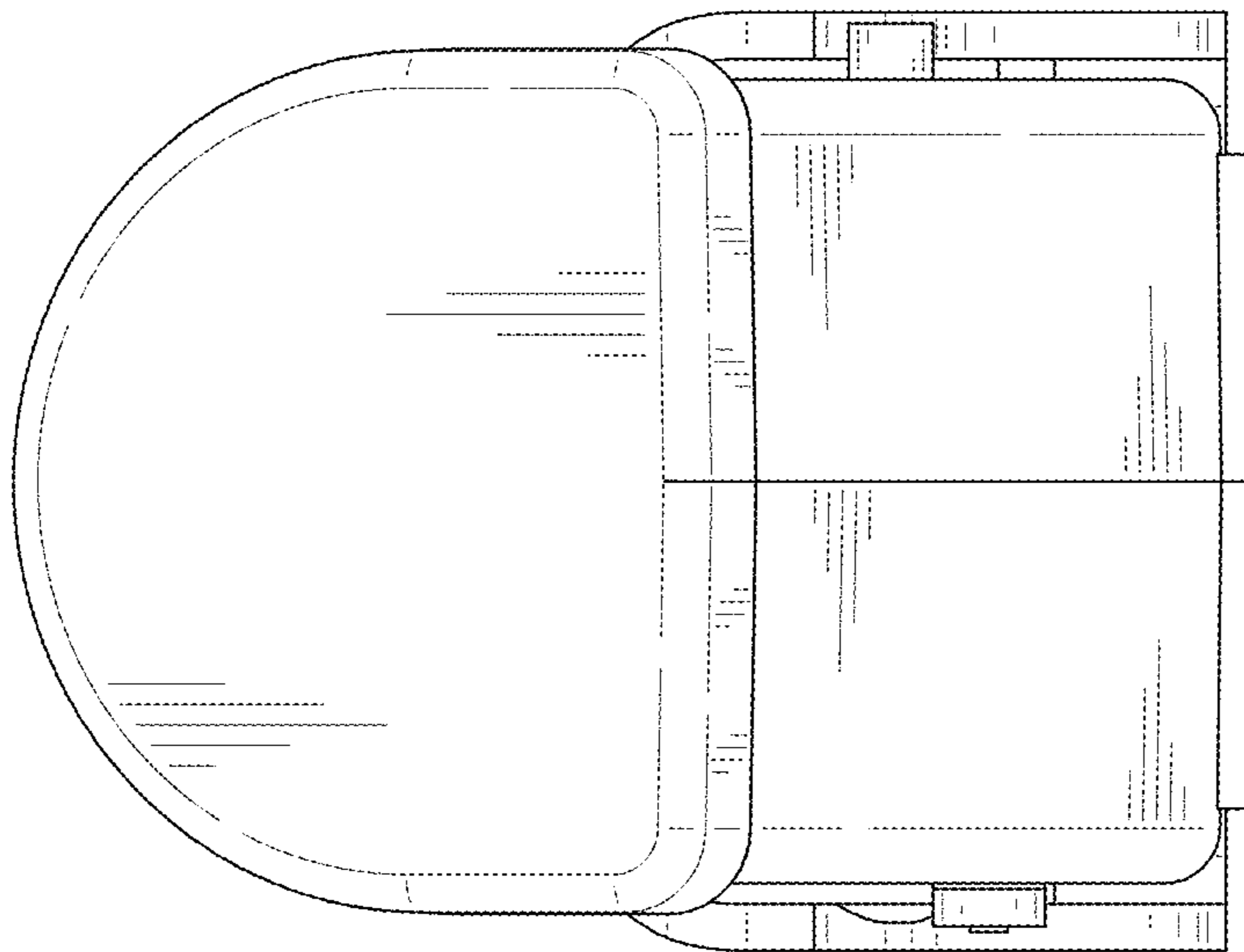


FIG. 5

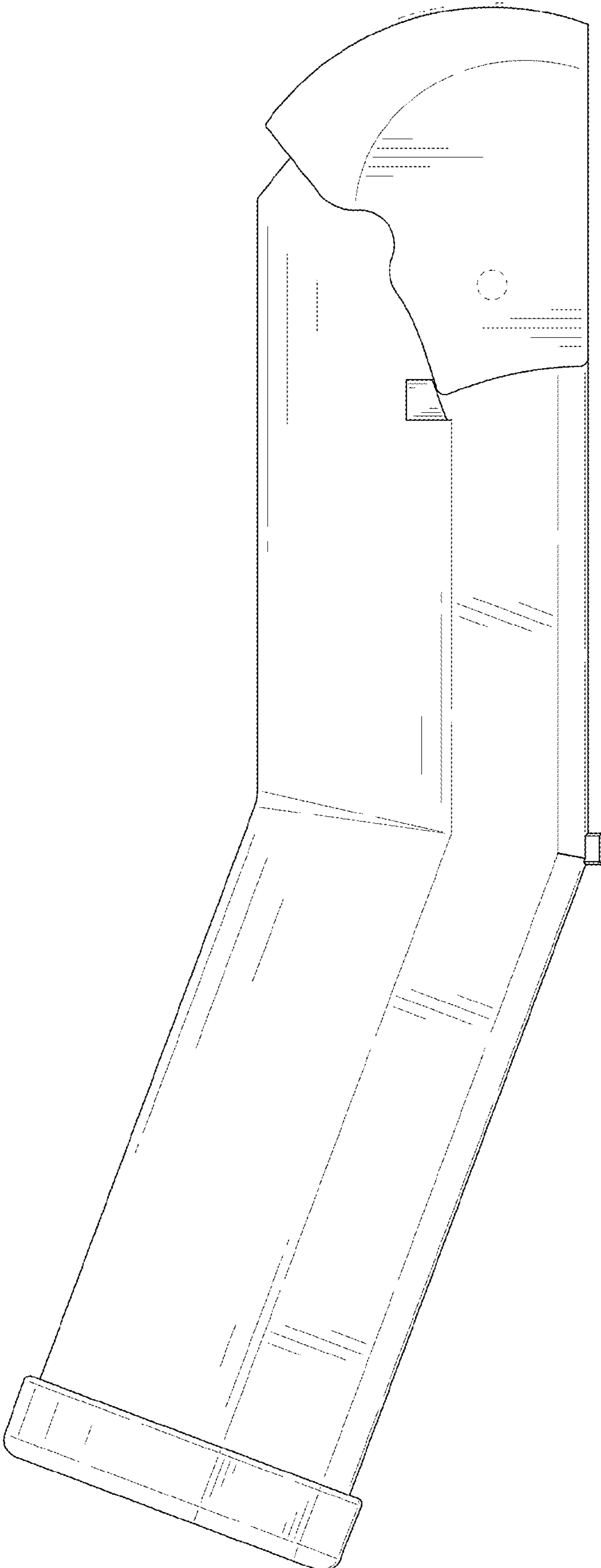


FIG. 6

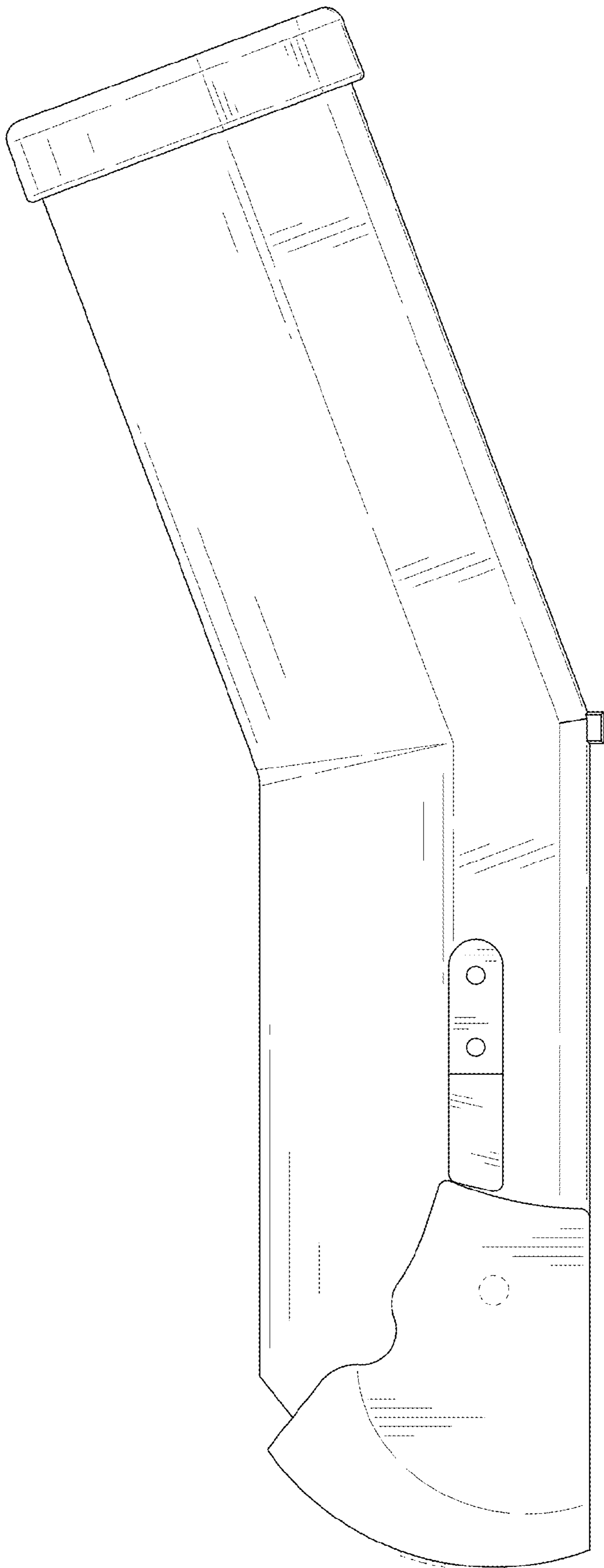


FIG. 7

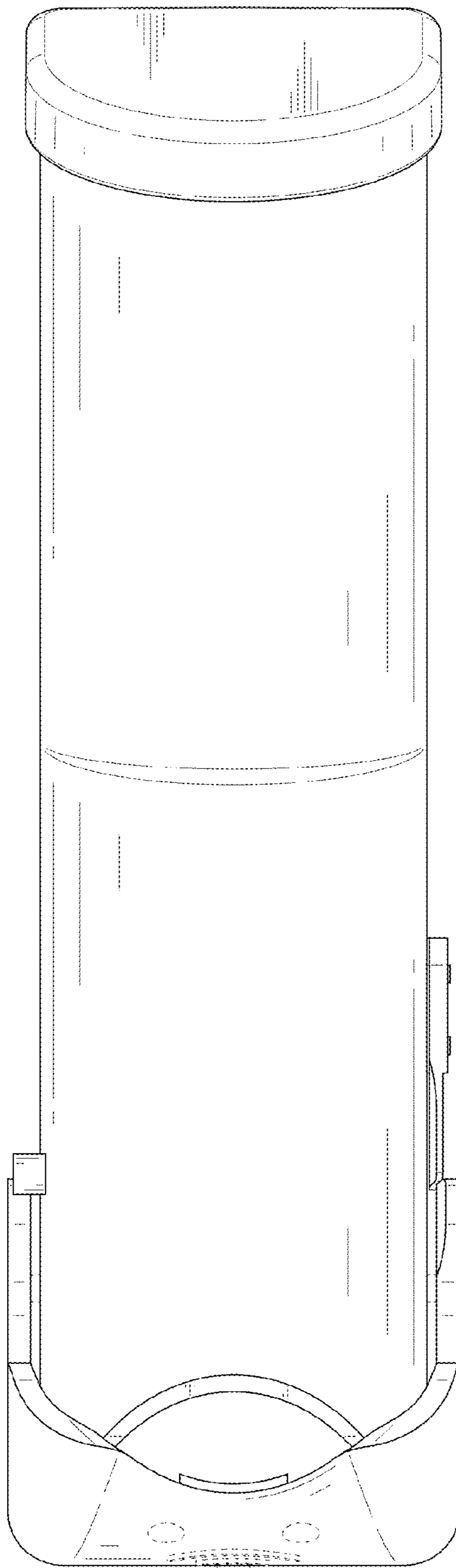


FIG. 8

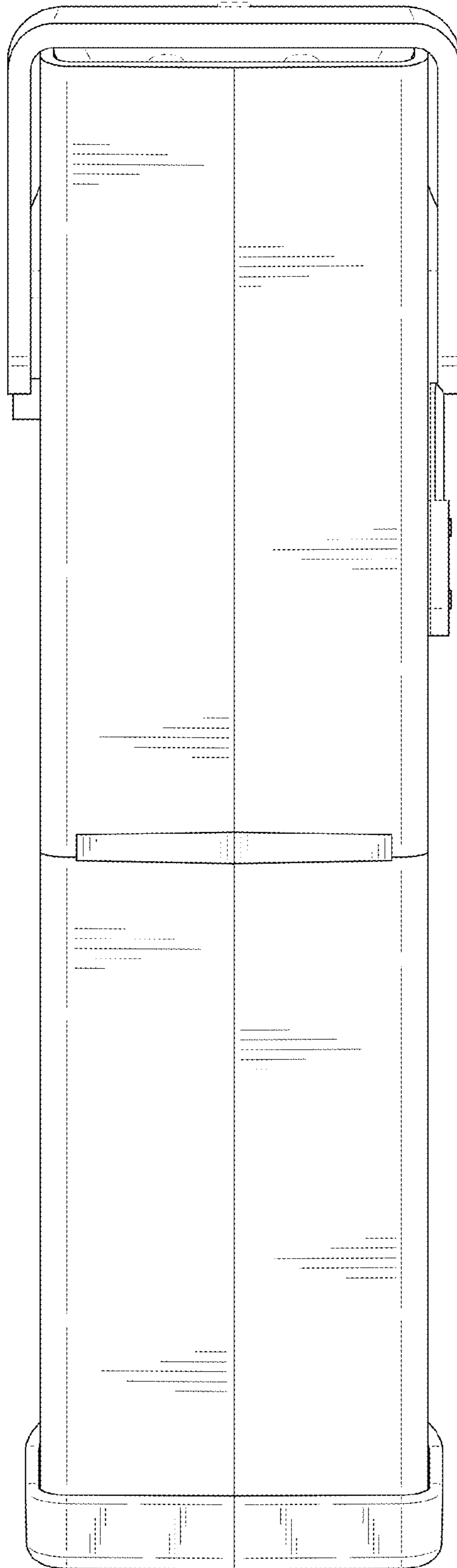


FIG. 9

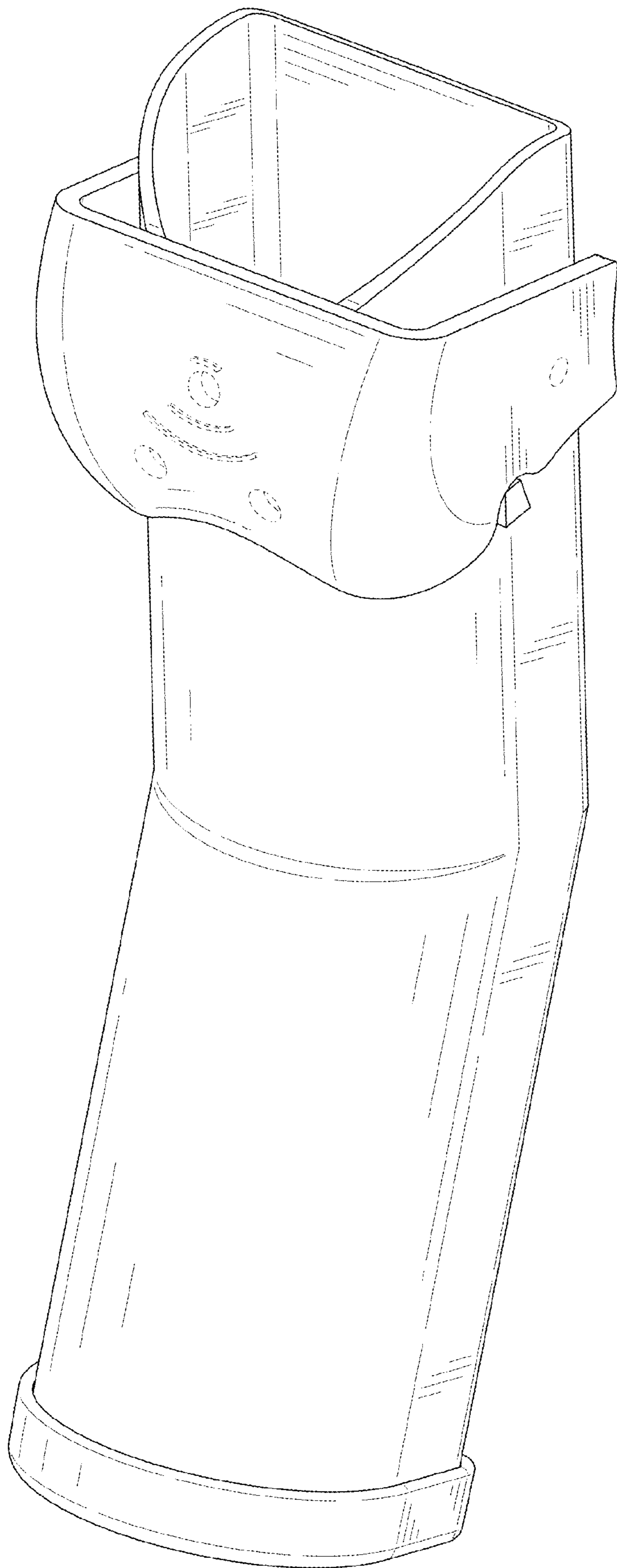


FIG. 10