



US00D957565S

(12) **United States Design Patent**
Derus et al.

(10) **Patent No.:** **US D957,565 S**
(45) **Date of Patent:** **** Jul. 12, 2022**

(54) **ADAPTER FOR AMMUNITION MAGAZINES**

(71) Applicant: **MagPump, LLC**, Henrietta, NY (US)

(72) Inventors: **Michael W. Derus**, Victor, NY (US);
Kenneth P. Green, Lunenburg, VA (US)

(73) Assignee: **MagPump, LLC**, Henrietta, NY (US)

(**) Term: **15 Years**

(21) Appl. No.: **29/650,532**

(22) Filed: **Jun. 7, 2018**

(51) **LOC (13) Cl.** **22-01**

(52) **U.S. Cl.**
USPC **D22/108**

(58) **Field of Classification Search**
USPC D22/103, 104, 105, 108; D21/567, 573,
D21/574

(Continued)

(56) **References Cited**

U.S. PATENT DOCUMENTS

1,786,537 A 12/1920 Holek
2,098,234 A 5/1929 Garand

(Continued)

OTHER PUBLICATIONS

“MAGPUMP! | The Easiest Magazine Loader” [online]. Sunday Gunday. [Published on Feb. 23, 2020]. Retrieved from the Internet: <<https://www.youtube.com/watch?v=Ax3C2maAKaU>>.*

Primary Examiner — Mojtaba Tehrani

(74) *Attorney, Agent, or Firm* — Barclay Damon LLP

(57) **CLAIM**

The ornamental design for an adapter for ammunition magazines, as shown and described.

DESCRIPTION

FIG. 1 is a front elevation view of a first embodiment of the adapter for ammunition magazines.

FIG. 2 is a rear elevation view of the first embodiment of the adapter for ammunition magazines.

FIG. 3 is a left side elevation view of the first embodiment of the adapter for ammunition magazines.

FIG. 4 is a right side elevation view of the first embodiment of the adapter for ammunition magazines.

FIG. 5 is a top view of the first embodiment of the adapter for ammunition magazines.

FIG. 6 is a bottom view of the first embodiment of the adapter for ammunition magazines.

FIG. 7 is a left isometric view of the first embodiment of the adapter for ammunition magazines.

FIG. 8 is a right isometric view of the first embodiment of the adapter for ammunition magazines.

FIG. 9 is a front elevation view of a second embodiment of the adapter for ammunition magazines.

FIG. 10 is a rear elevation view of the second embodiment of the adapter for ammunition magazines.

FIG. 11 is a left side elevation view of the second embodiment of the adapter for ammunition magazines.

FIG. 12 is a right side elevation view of the second embodiment of the adapter for ammunition magazines.

FIG. 13 is a top view of the second embodiment of the adapter for ammunition magazines.

FIG. 14 is a bottom view of the second embodiment of the adapter for ammunition magazines.

FIG. 15 is a left isometric view of the second embodiment of the adapter for ammunition magazines.

FIG. 16 is a right isometric view of the second embodiment of the adapter for ammunition magazines.

FIG. 17 is a front elevation view of a third embodiment of the adapter for ammunition magazines.

FIG. 18 is a rear elevation view of the third embodiment of the adapter for ammunition magazines.

FIG. 19 is a left side elevation view of the third embodiment of the adapter for ammunition magazines.

FIG. 20 is a right side elevation view of the third embodiment of the adapter for ammunition magazines.

FIG. 21 is a top view of the fourth embodiment of the adapter for ammunition magazines.

FIG. 22 is a bottom view of the third embodiment of the adapter for ammunition magazines.

FIG. 23 is a left isometric view of the third embodiment of the adapter for ammunition magazines; and,

(Continued)

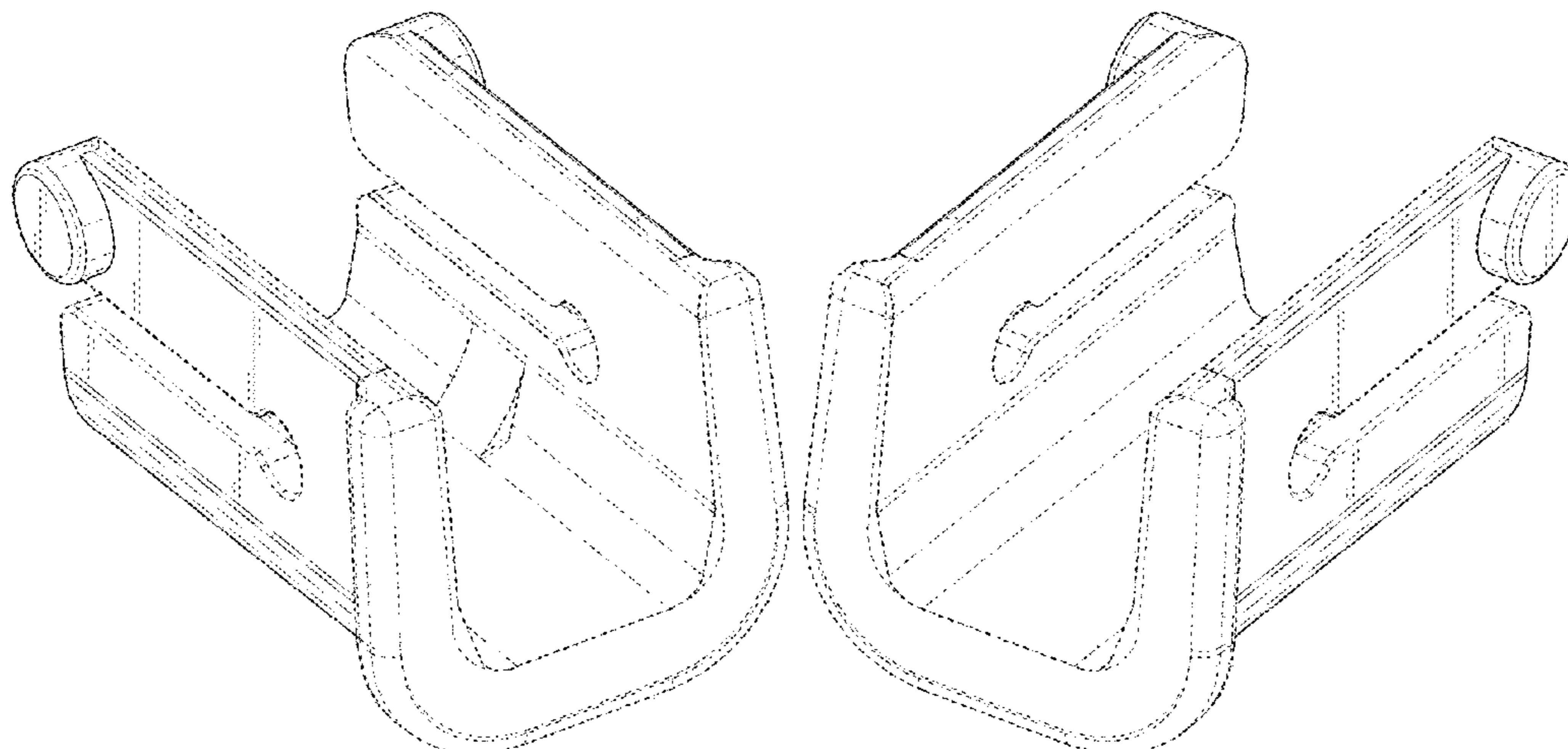


FIG. 24 is a right isometric view of the third embodiment of the adapter for ammunition magazines.
The broken lines in the drawings depict unclaimed portions of the adapter only and form no part of the claimed design.

1 Claim, 24 Drawing Sheets

(58) **Field of Classification Search**

CPC F41A 9/00; F41A 9/52; F41A 9/58; F41A 9/61; F41A 9/65

See application file for complete search history.

(56) **References Cited**

U.S. PATENT DOCUMENTS

2,326,816	A	8/1943	Woodberry
2,394,033	A	2/1946	Wossum
2,419,242	A	4/1947	Woodberry et al.
2,451,521	A	10/1948	Uglum
2,623,803	A	12/1952	Gamble
2,783,570	A	3/1957	Kunz
3,292,293	A	12/1966	Chiasera et al.
3,628,273	A	12/1971	Lach
3,789,531	A	2/1974	Kersten
4,261,680	A	4/1981	Carnley et al.
4,570,371	A	2/1986	Mears
4,614,052	A	9/1986	Brown et al.
4,736,667	A	4/1988	Kochevar et al.
4,739,572	A	4/1988	Brandenburg
4,879,829	A	11/1989	Miller et al.
4,939,862	A	7/1990	Brandenburg et al.
4,949,495	A	8/1990	Mari
4,970,820	A	11/1990	Miller et al.

5,301,449	A	4/1994	Jackson	
D477,047	S	* 7/2003	Springer	D22/108
6,754,987	B1	6/2004	Cheng et al.	
D503,960	S	4/2005	Gangi et al.	
7,059,077	B2	6/2006	Tal et al.	
9,091,500	B1	7/2015	Kim	
9,354,008	B1	5/2016	Cifers et al.	
9,429,377	B2	* 8/2016	Alkhalaileh	F41A 9/65
9,612,070	B2	4/2017	Hatch	
D821,534	S	* 6/2018	Couie	D22/108
D823,420	S	7/2018	Fischer	
D824,477	S	* 7/2018	Hefer	D22/108
D839,985	S	* 2/2019	Sealing	D22/108
10,240,879	B2	3/2019	Fischer	
D855,139	S	* 7/2019	Fischer	D22/108
D877,841	S	* 3/2020	Couie	D22/108
D886,935	S	* 6/2020	Shepard, Jr.	D22/108
D892,253	S	* 8/2020	Kielsmeier	D22/108
D917,000	S	* 4/2021	Huang	D22/108
D917,649	S	* 4/2021	Thomele	D22/108
D919,035	S	* 5/2021	Chen	D22/108
D921,150	S	* 6/2021	Chen	D22/108
11,029,108	B1	* 6/2021	Tal	F41A 9/84
D931,403	S	* 9/2021	Deng	D22/108
D932,583	S	* 10/2021	Tang	D22/108
2003/0046854	A1	3/2003	Urchek	
2004/0159036	A1	8/2004	Newman	
2005/0081421	A1	4/2005	Tal et al.	
2014/0033592	A1	2/2014	Fiorucci	
2014/0311008	A1	10/2014	McPhee	
2014/0317985	A1	10/2014	Cauley et al.	
2015/0377573	A1	12/2015	Niccum	
2016/0305726	A1	10/2016	Mokuolu	
2017/0051992	A1	2/2017	Cottrell et al.	
2017/0067707	A1	3/2017	Zivic et al.	
2019/0170465	A1	6/2019	Fischer	

* cited by examiner

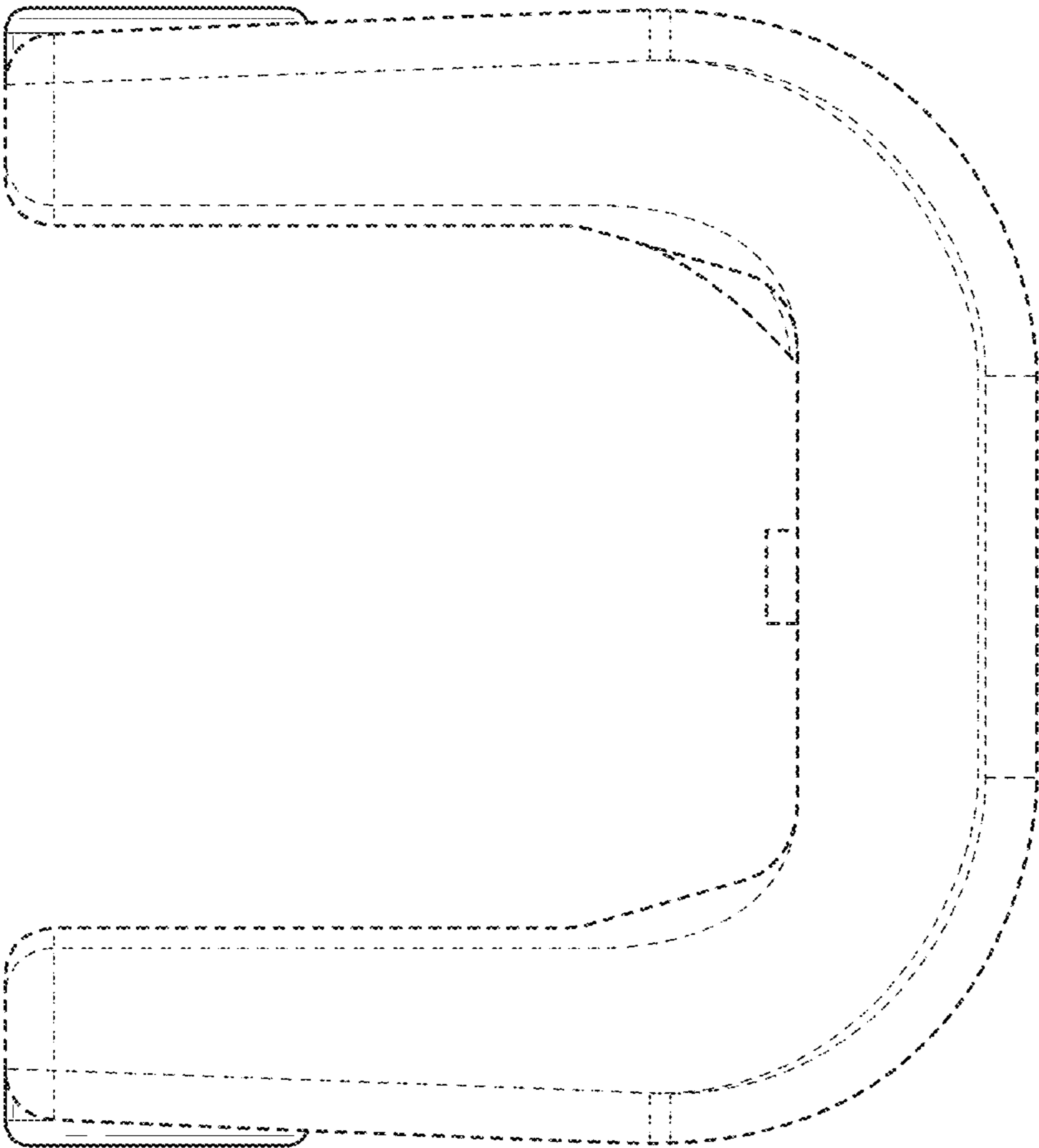


FIG. 1

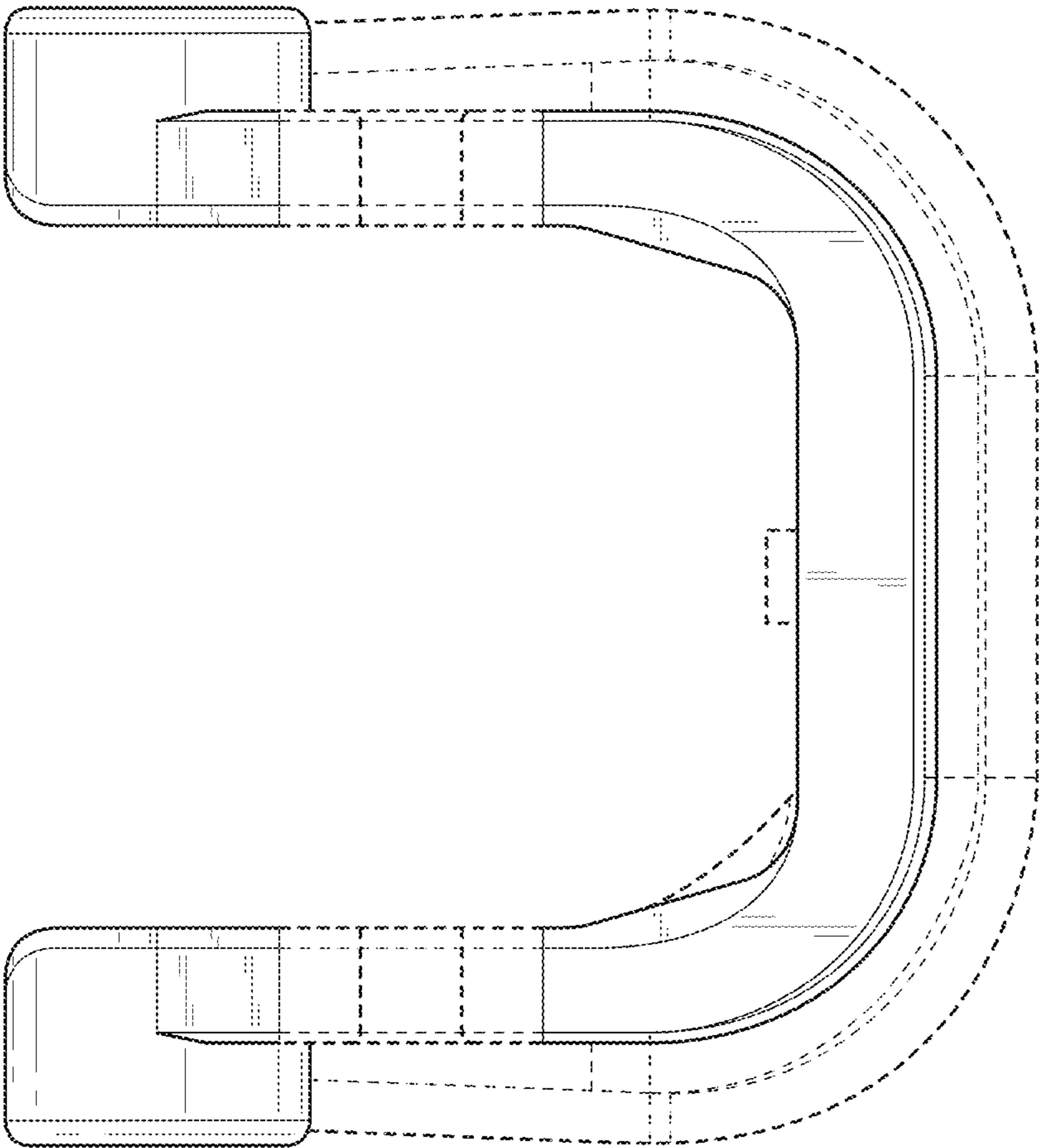


FIG. 2

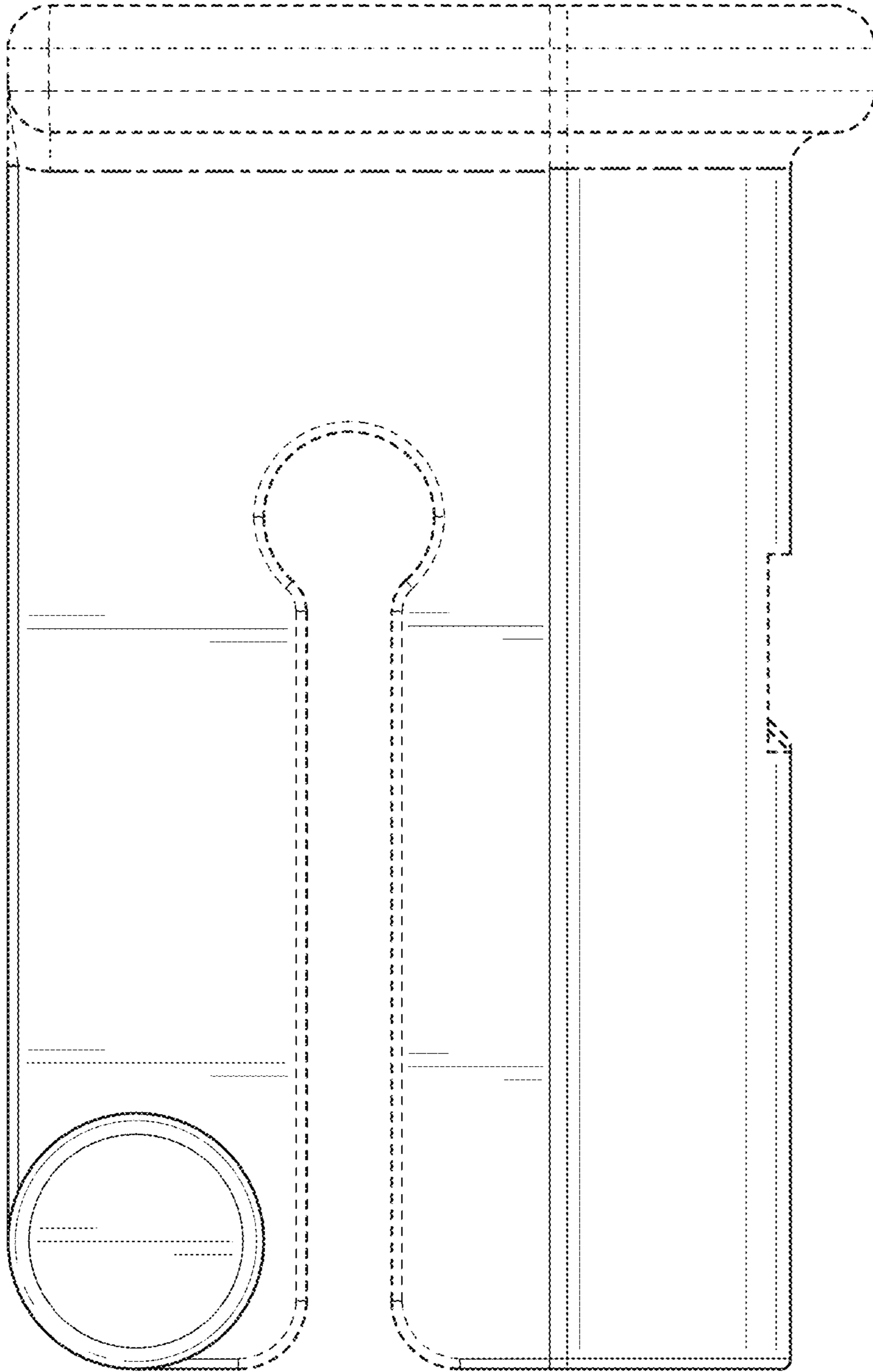


FIG. 3

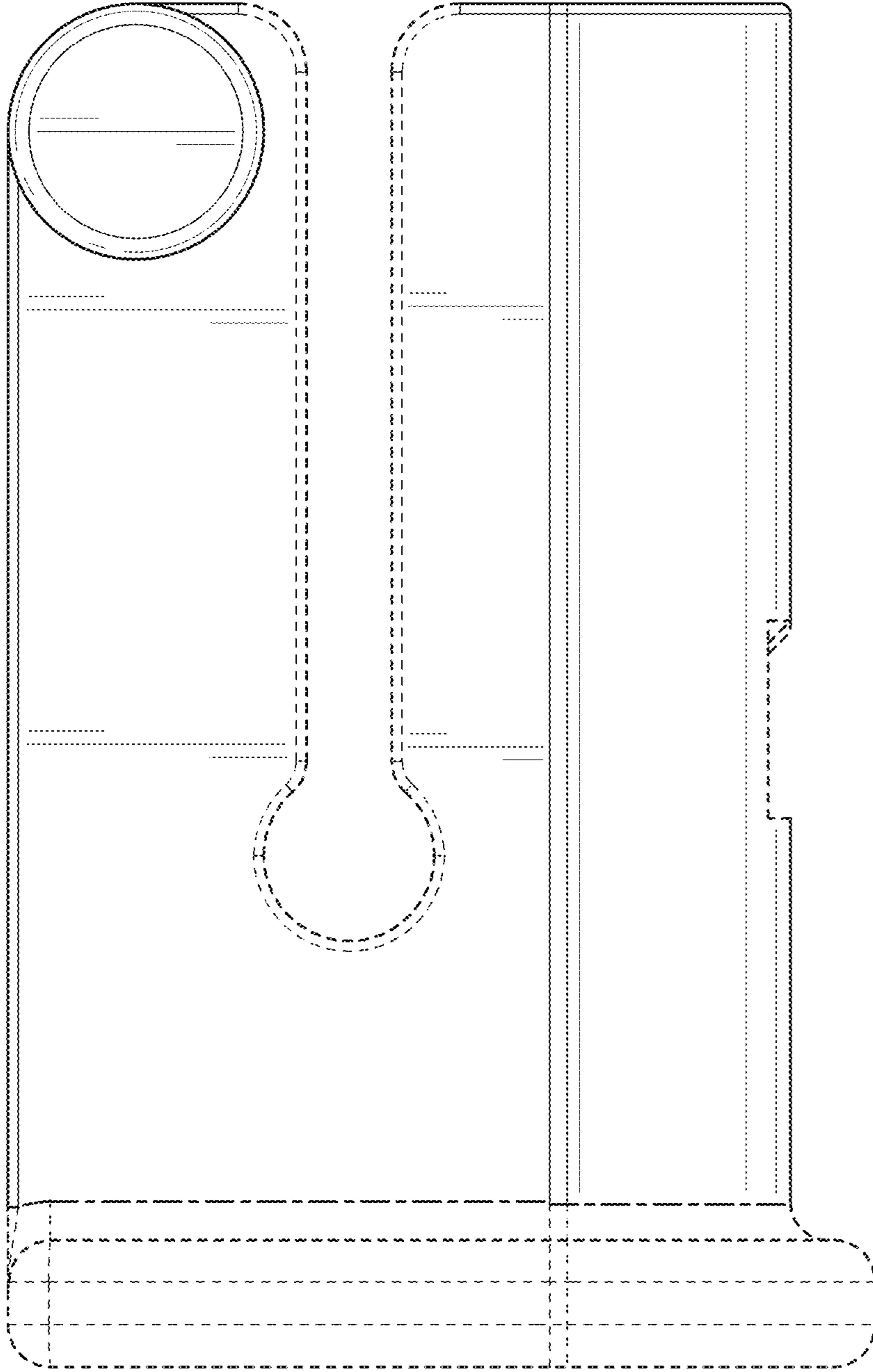


FIG. 4

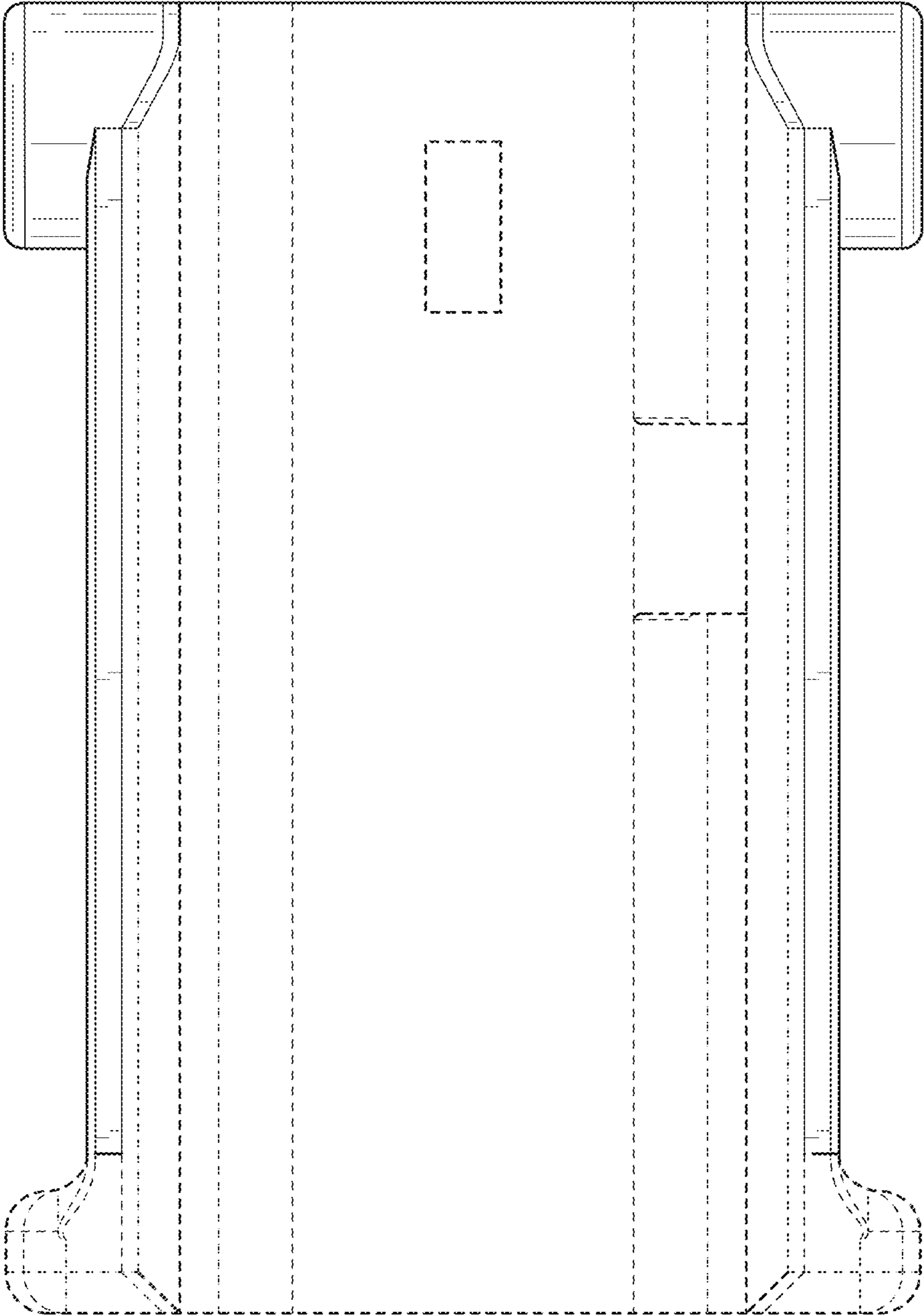


FIG. 5

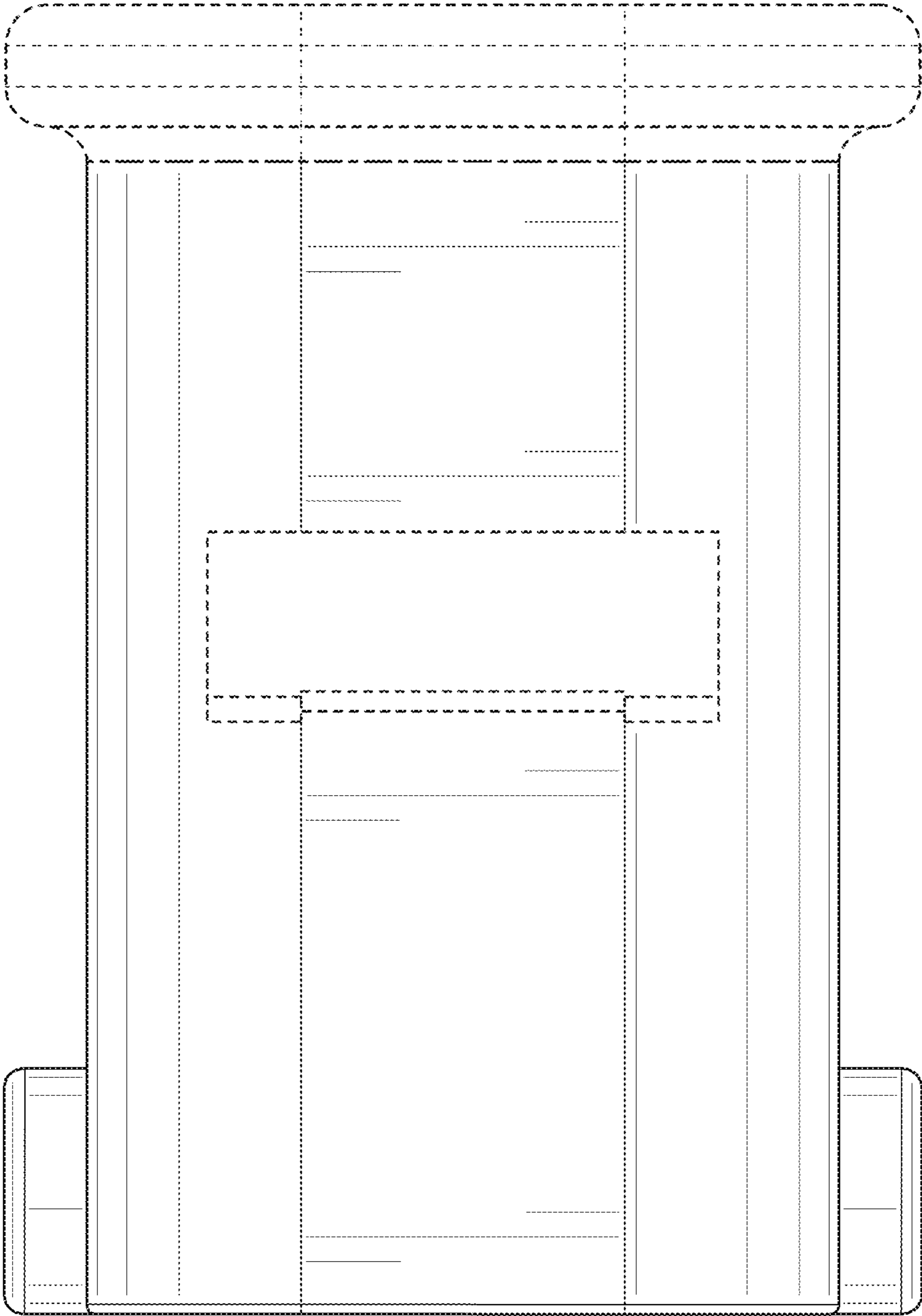


FIG. 6

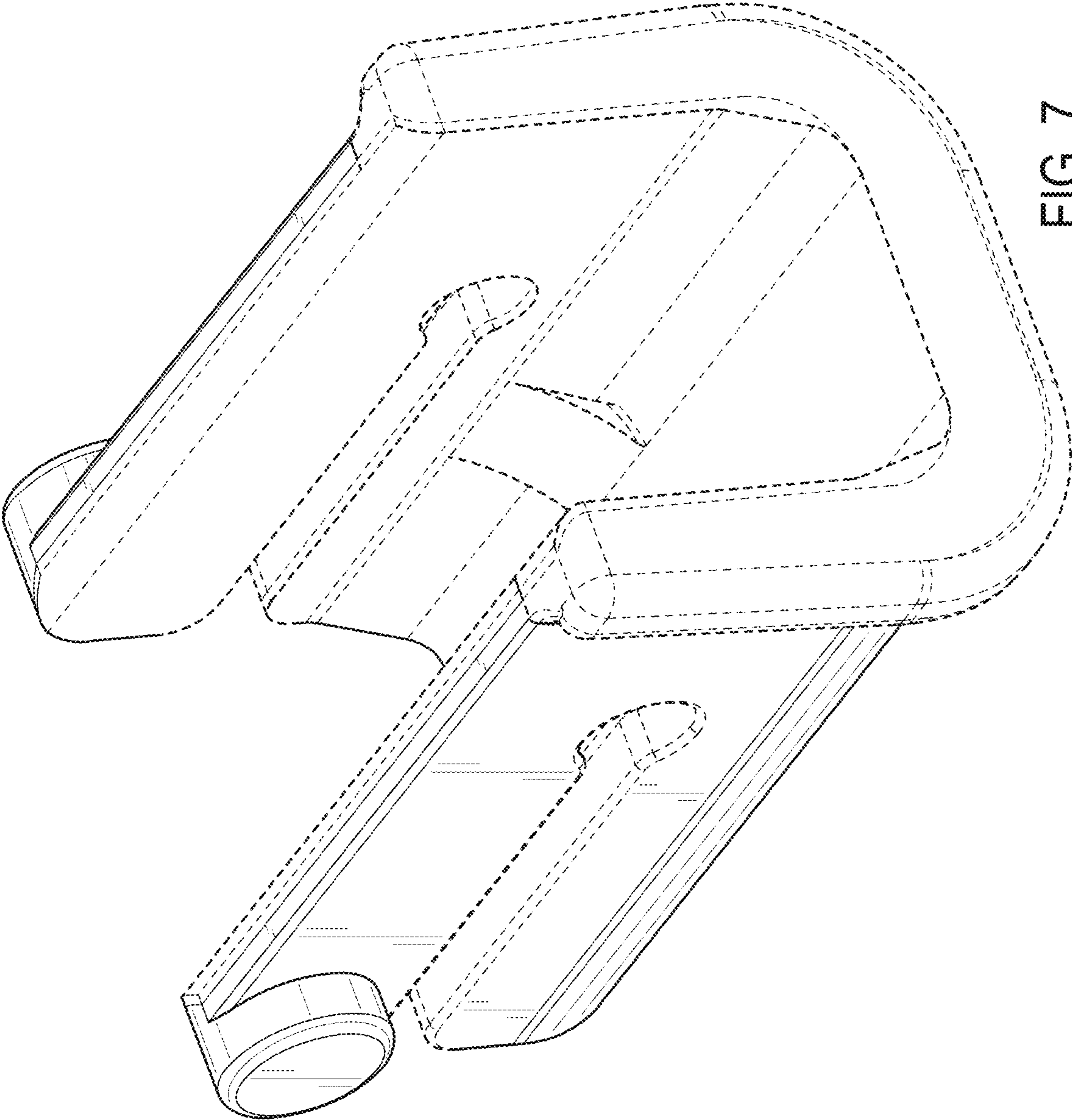


FIG. 7

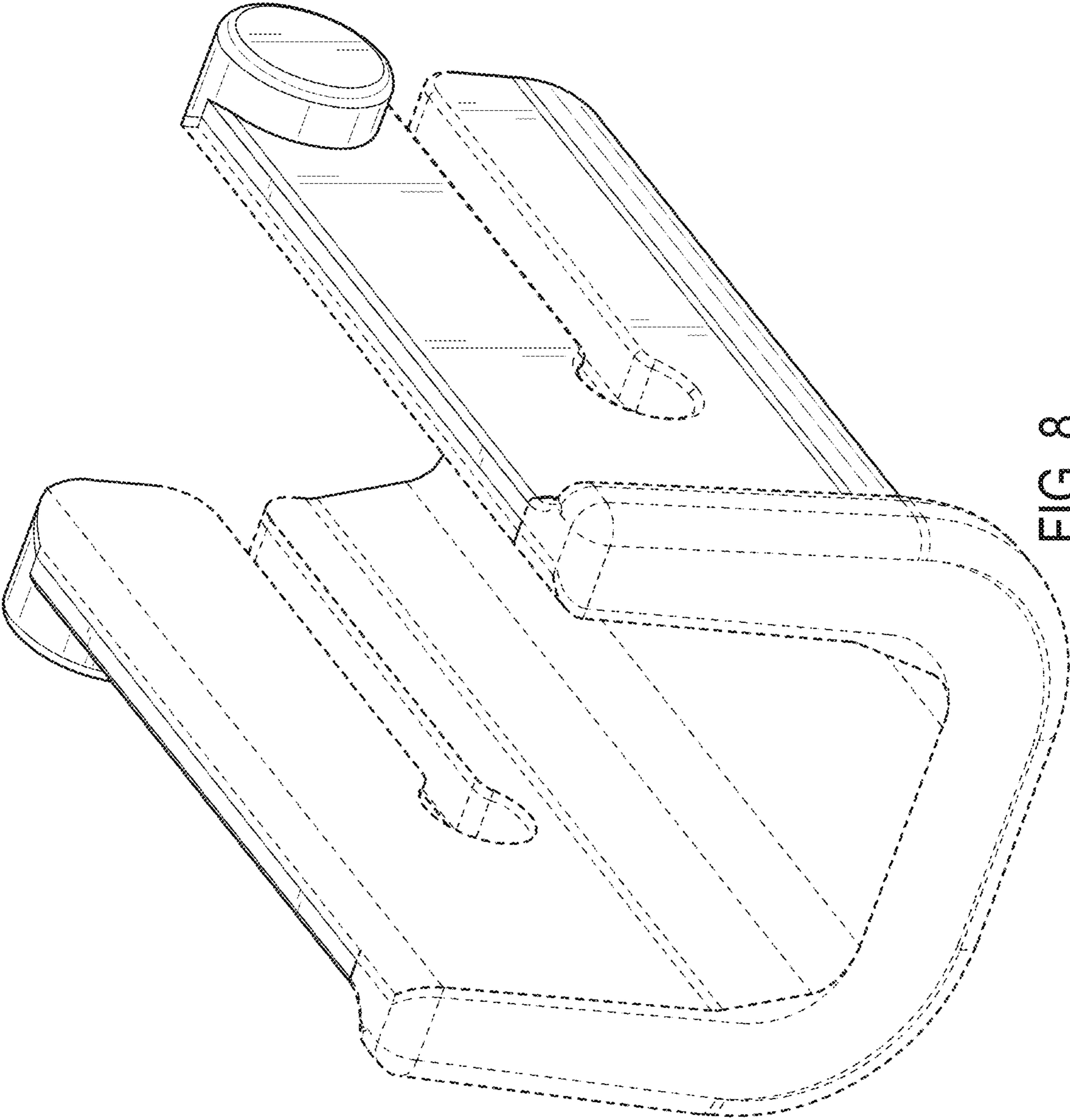


FIG. 8

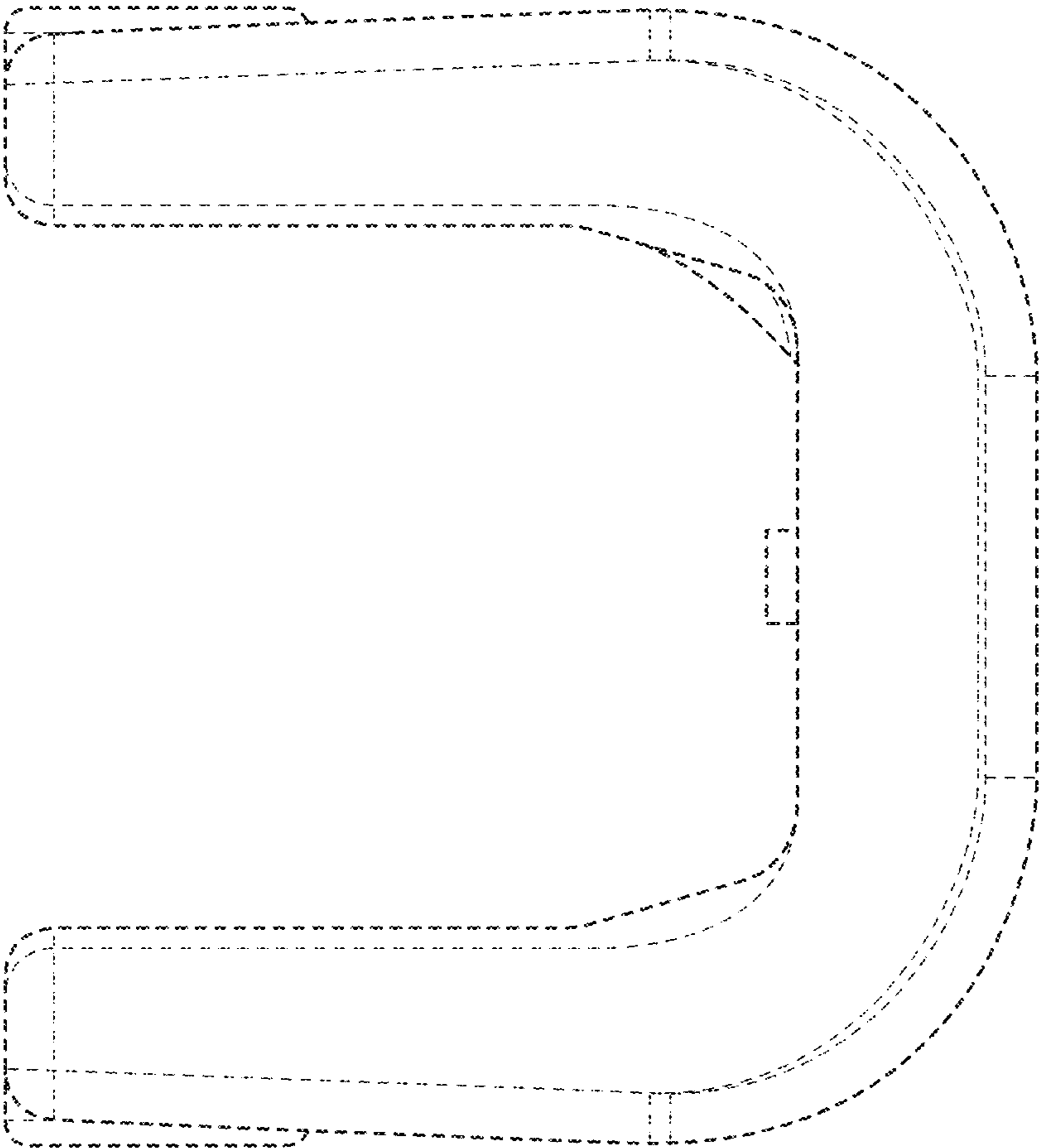


FIG. 9

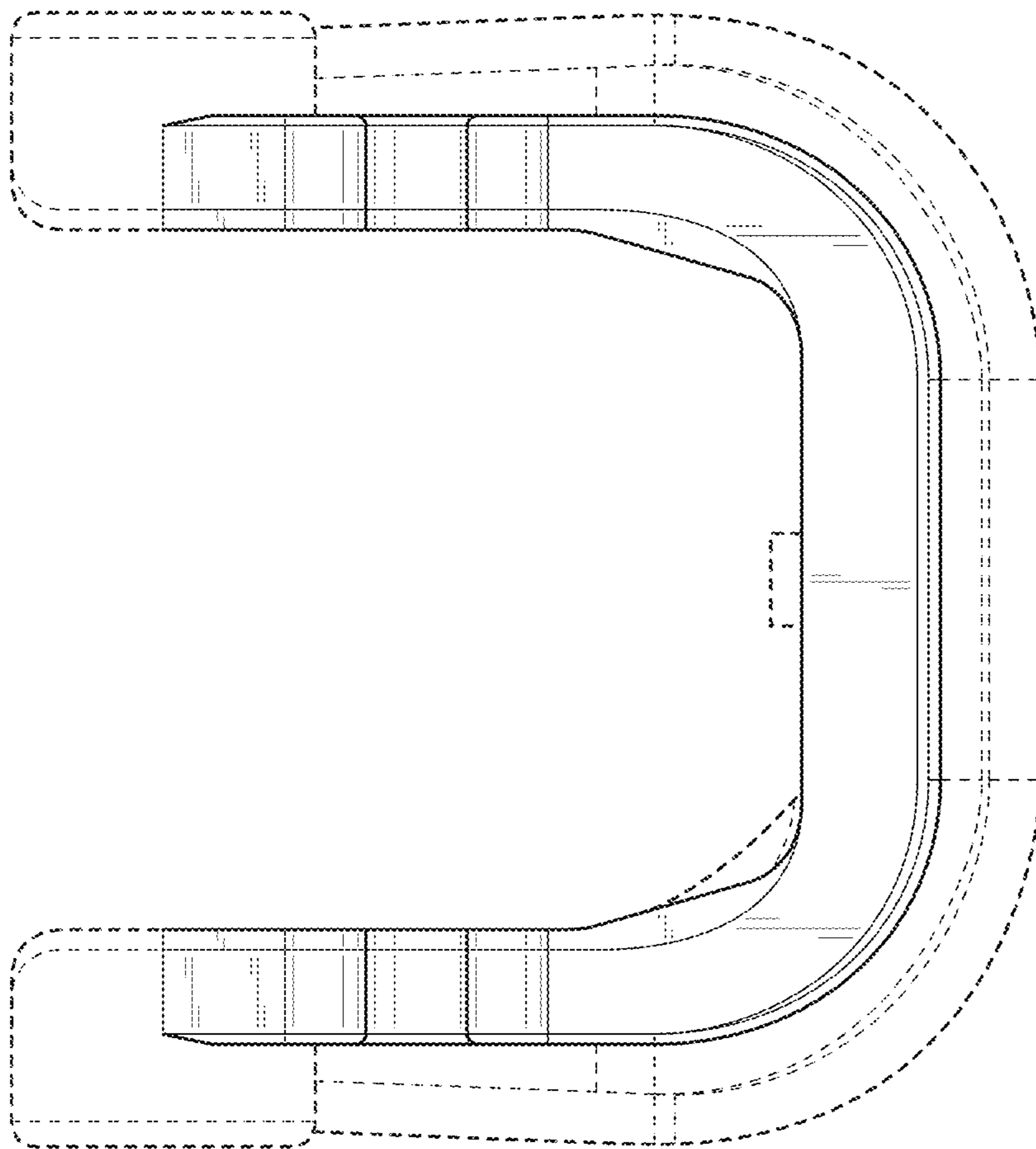


FIG. 10

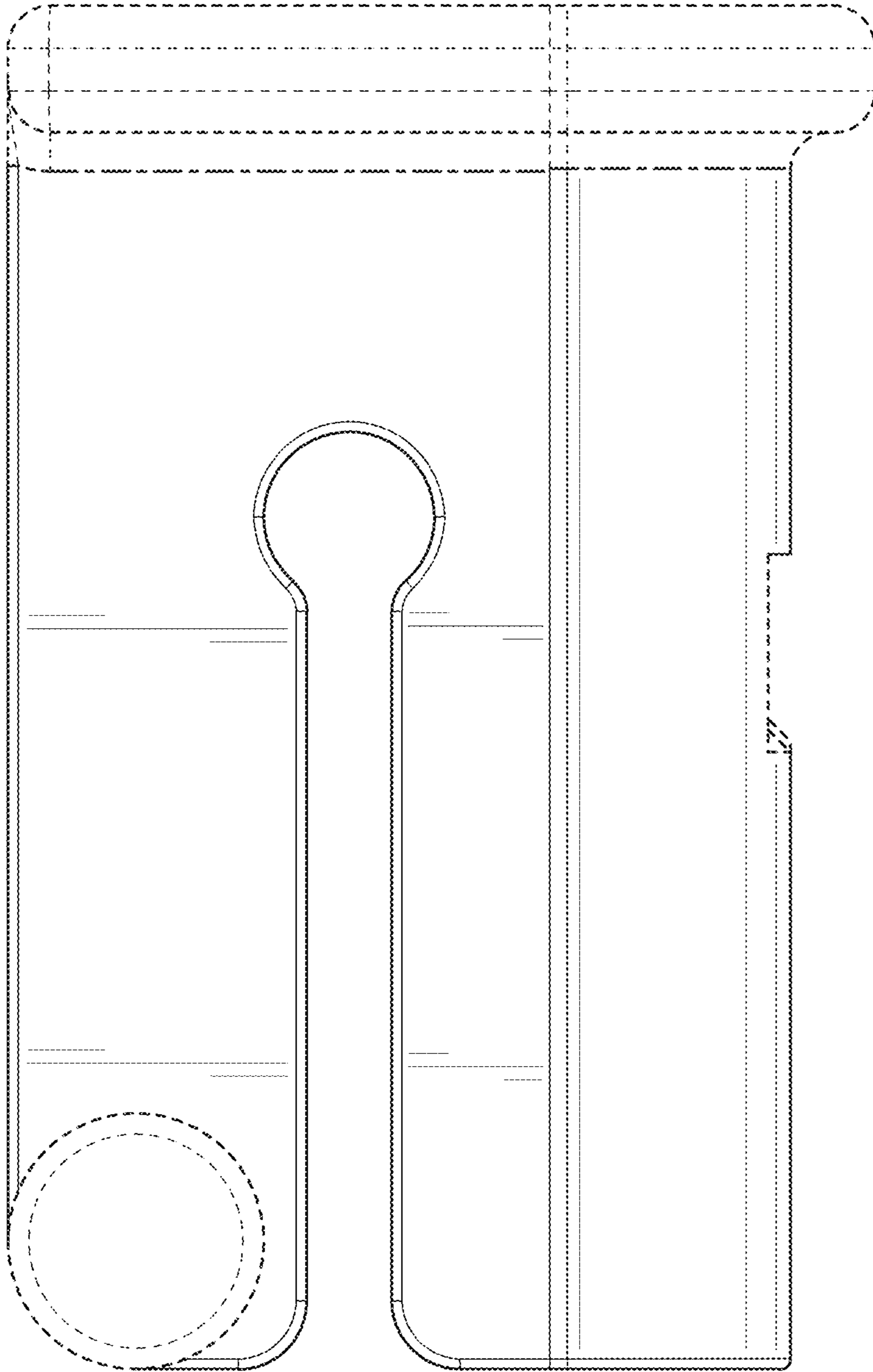


FIG. 11

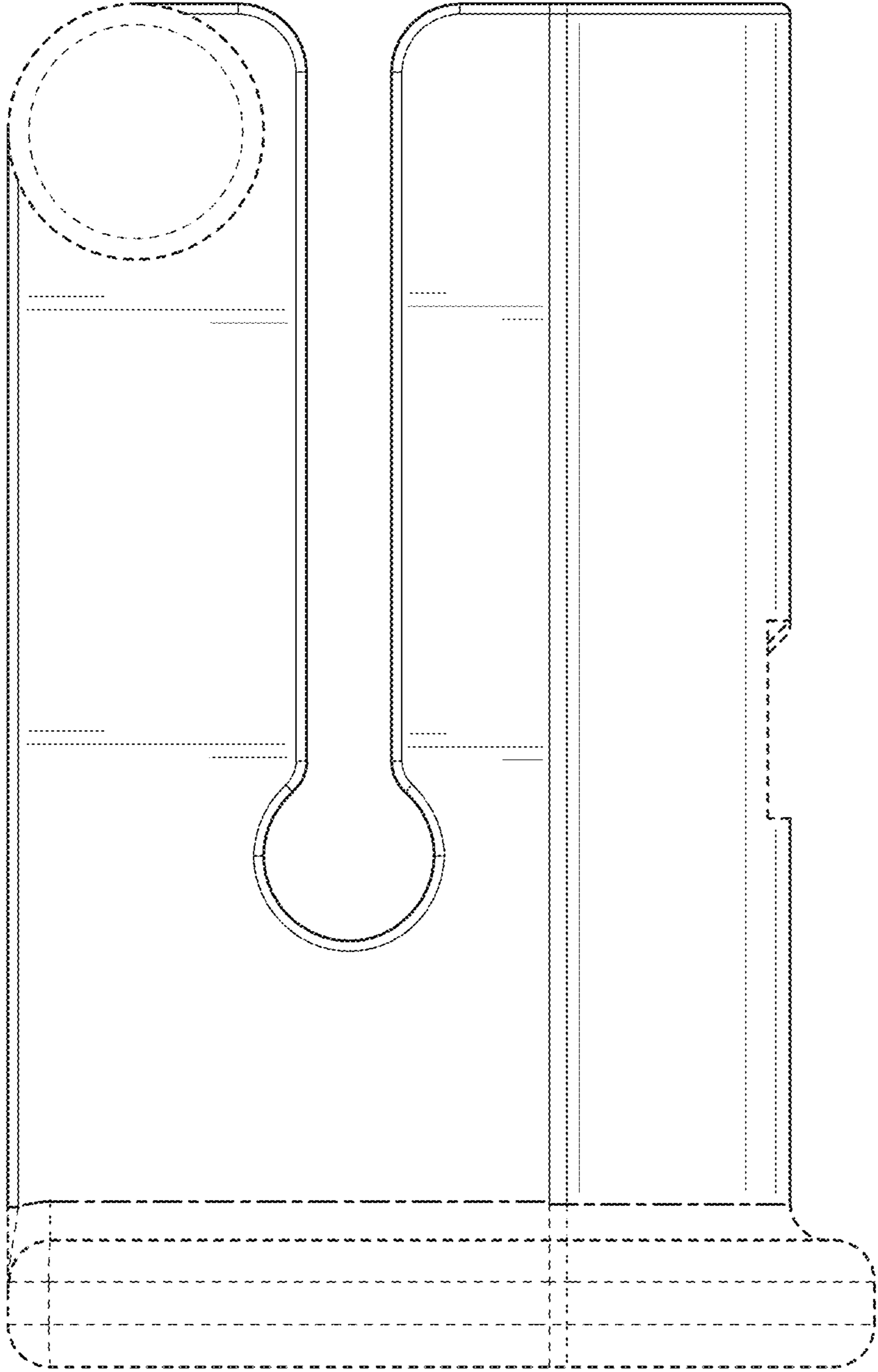


FIG. 12

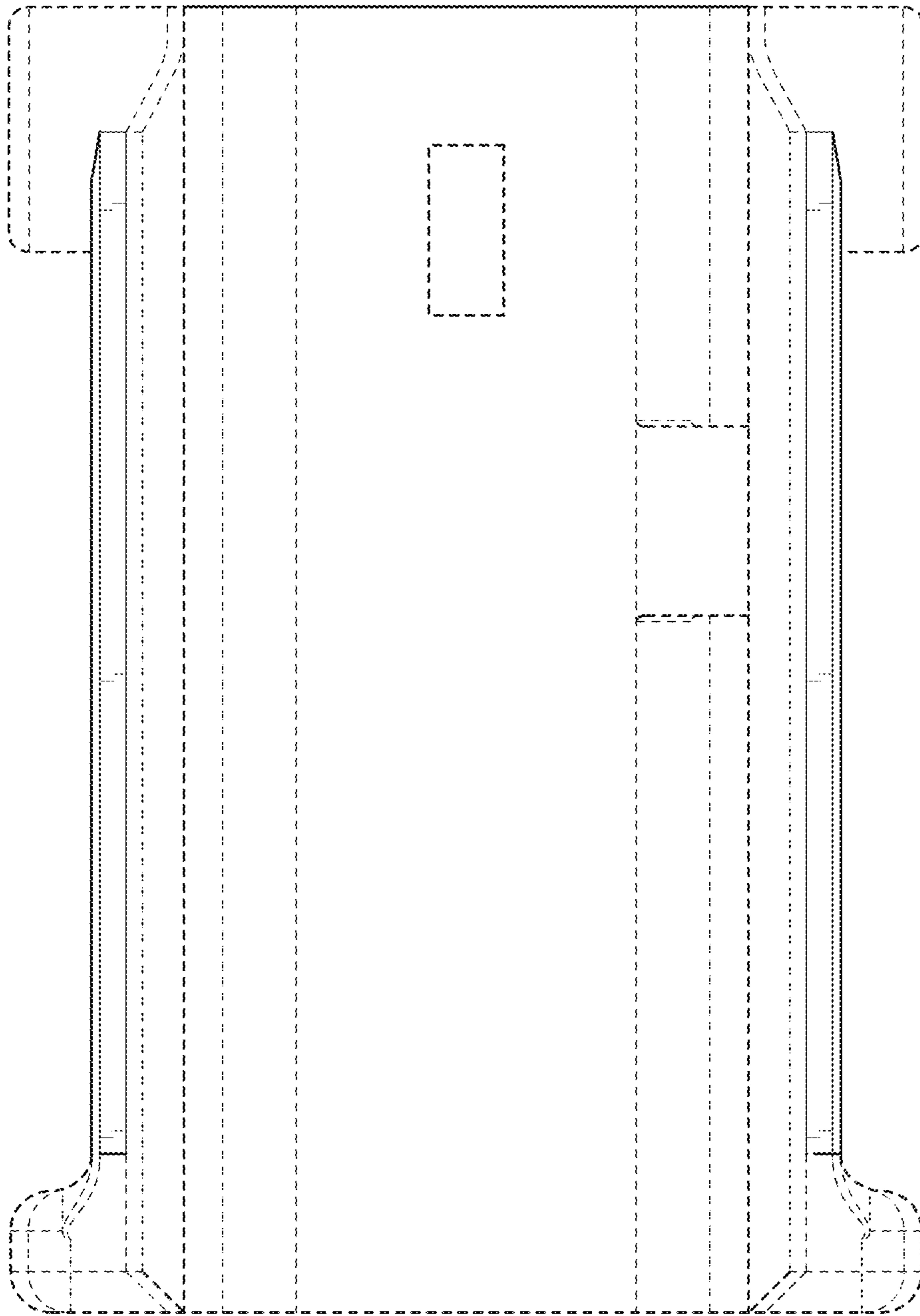


FIG. 13

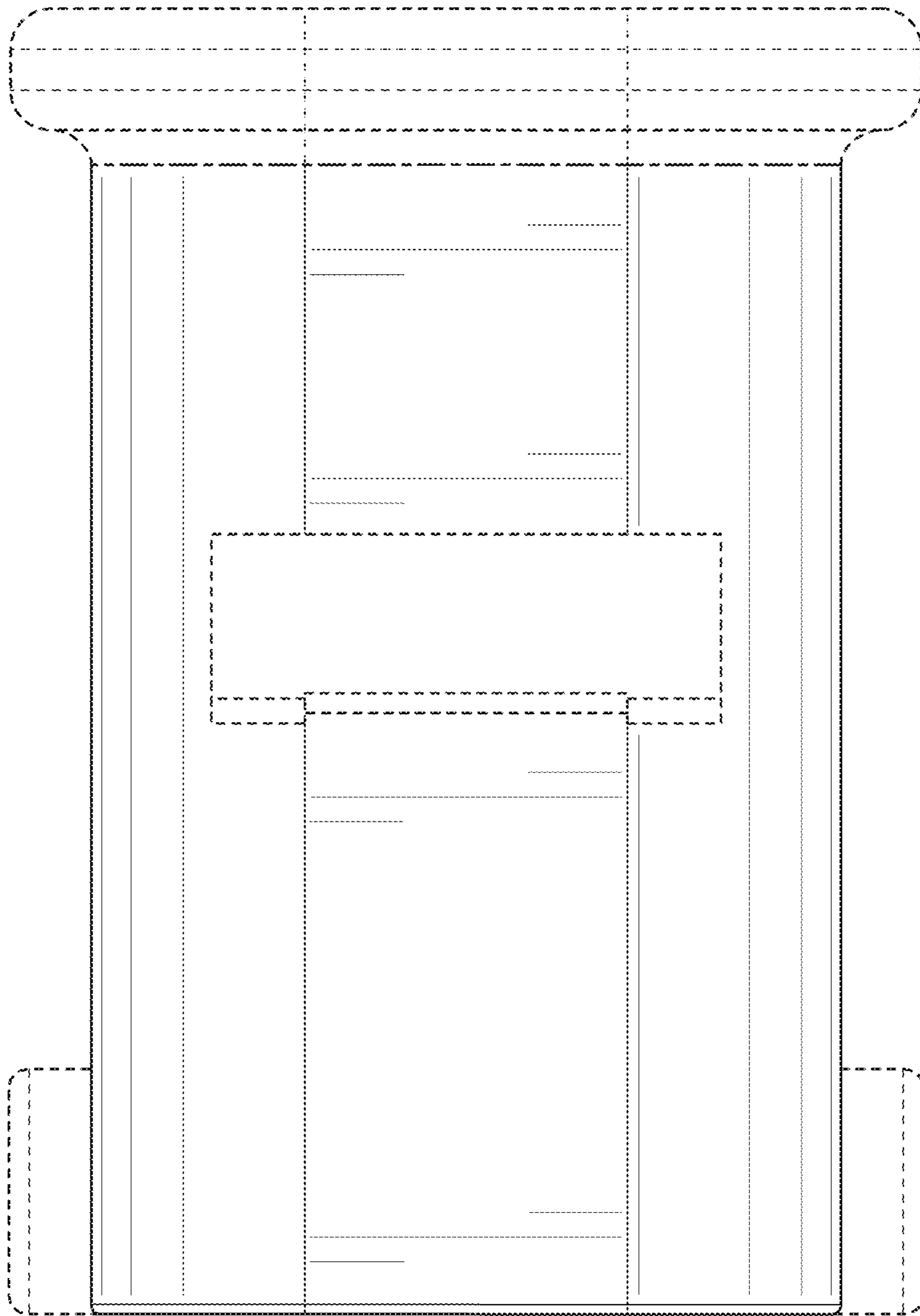


FIG. 14

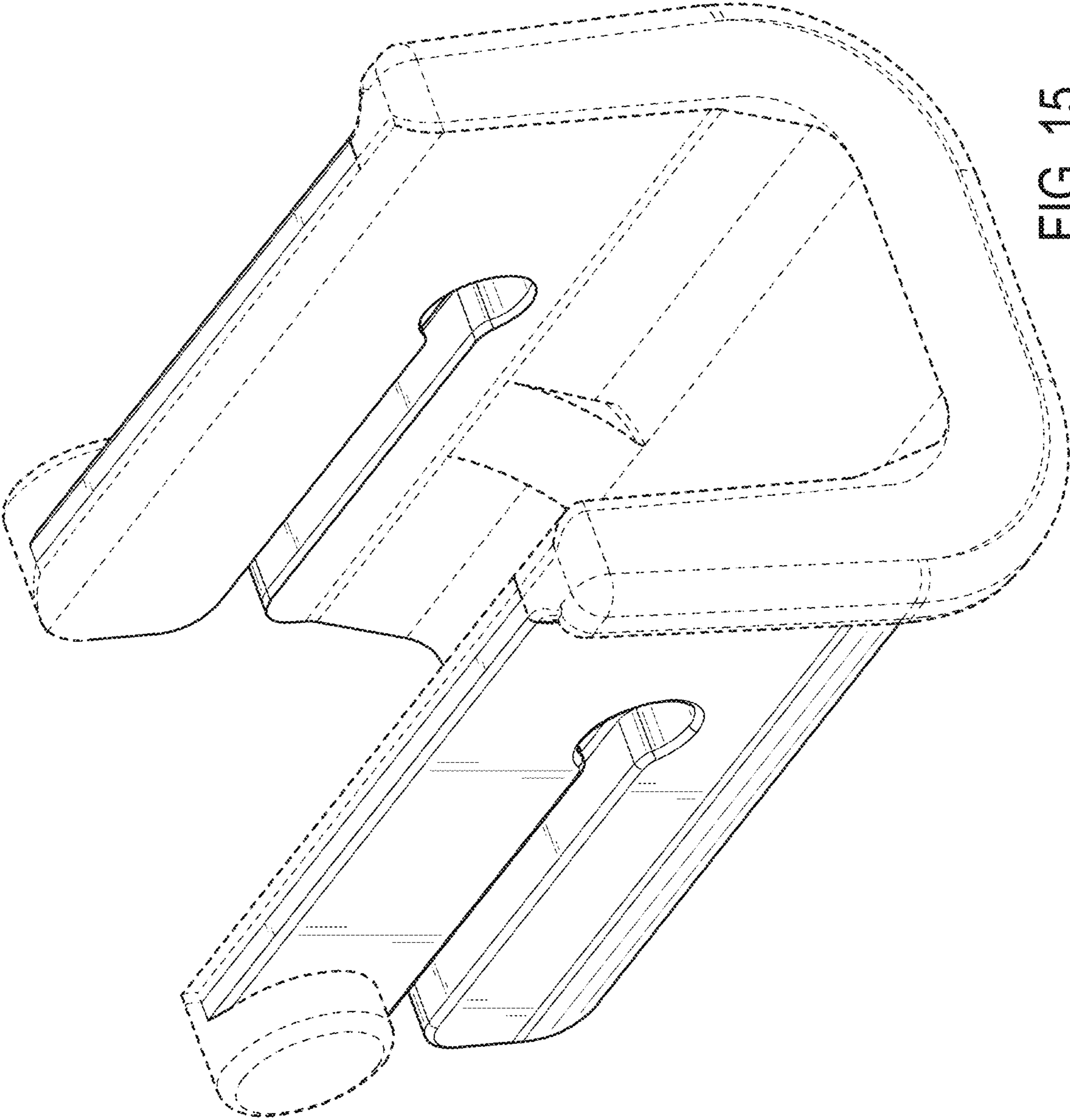


FIG. 15

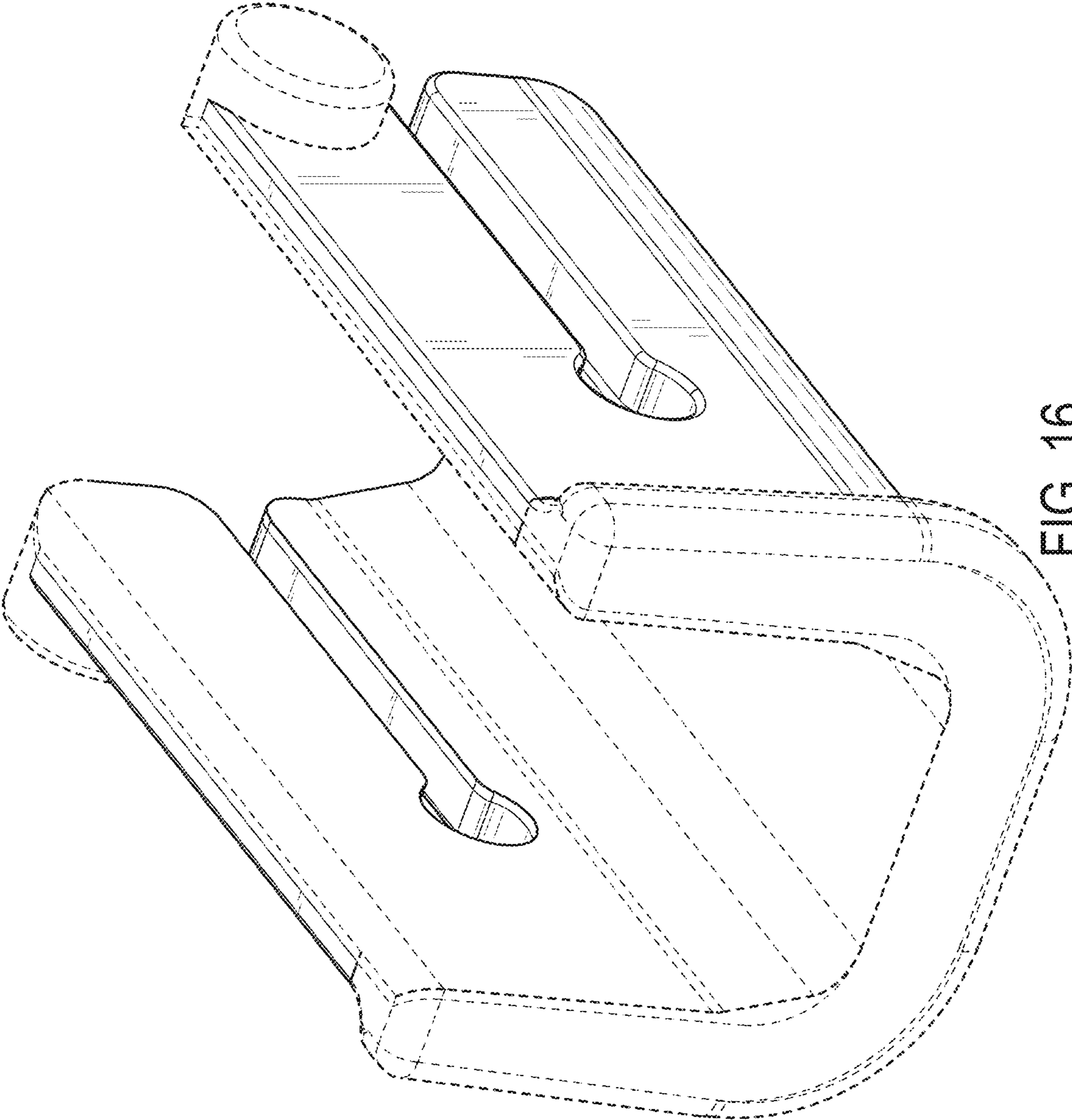


FIG. 16

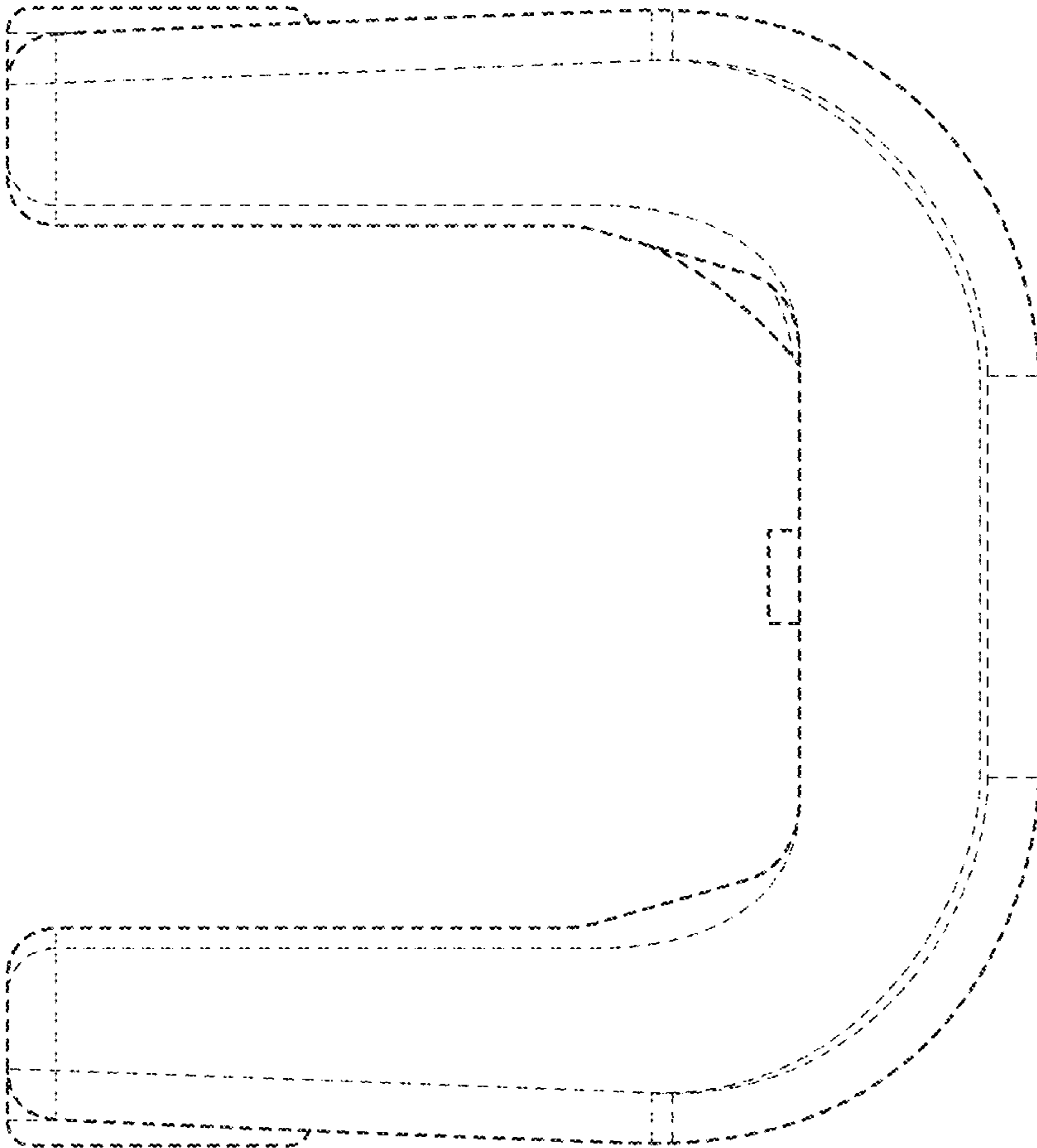


FIG. 17

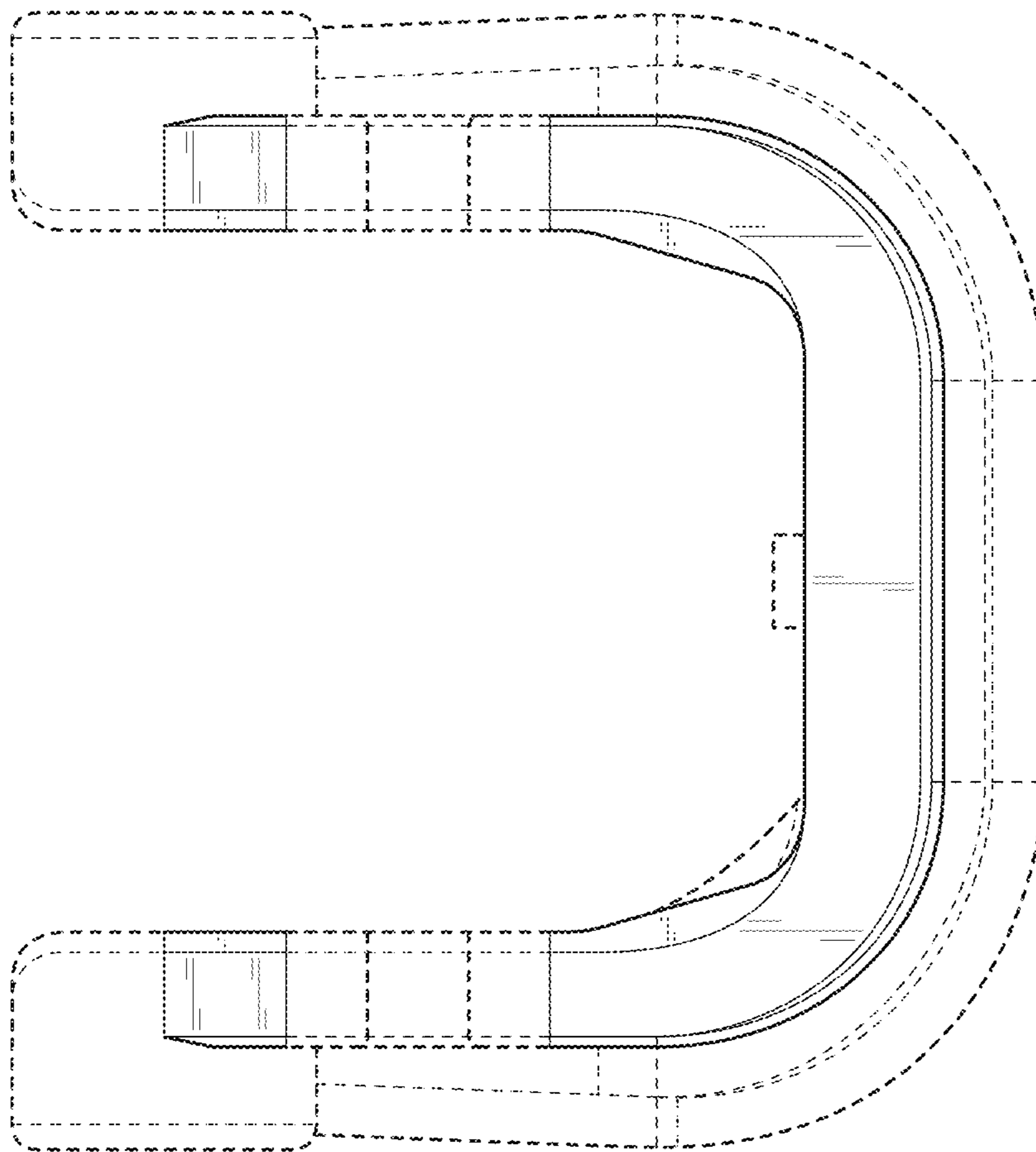


FIG. 18

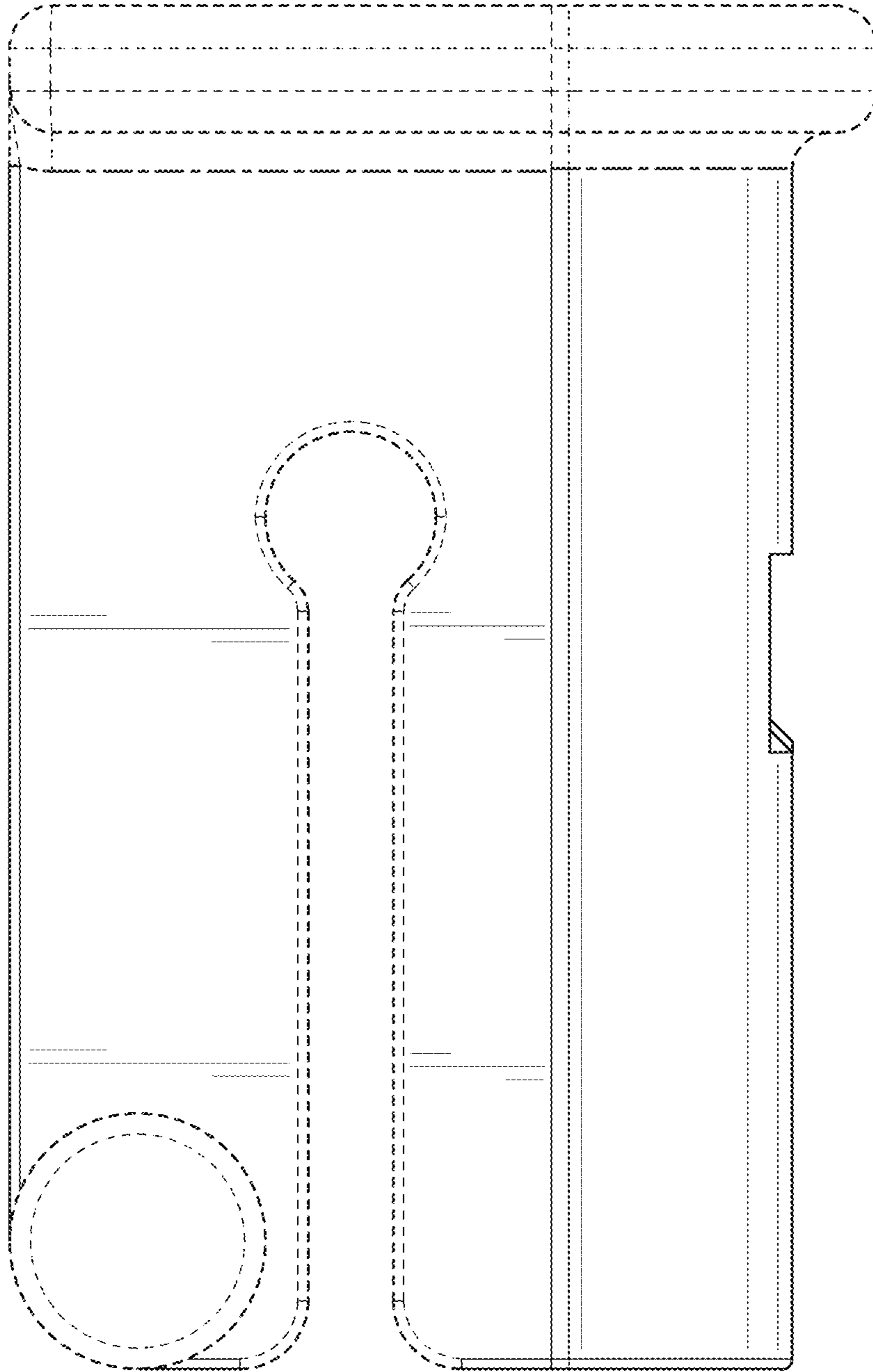


FIG. 19

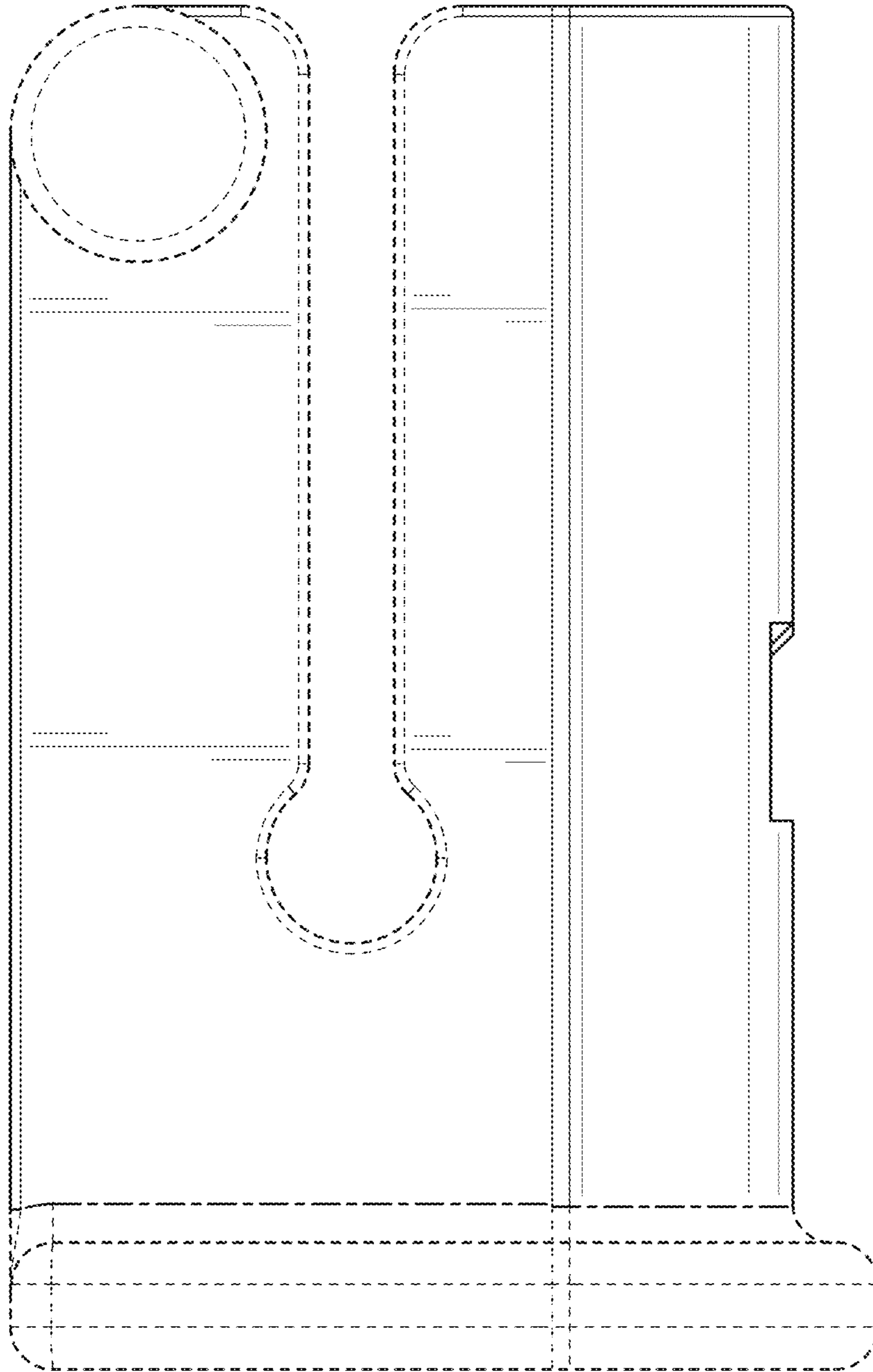


FIG. 20

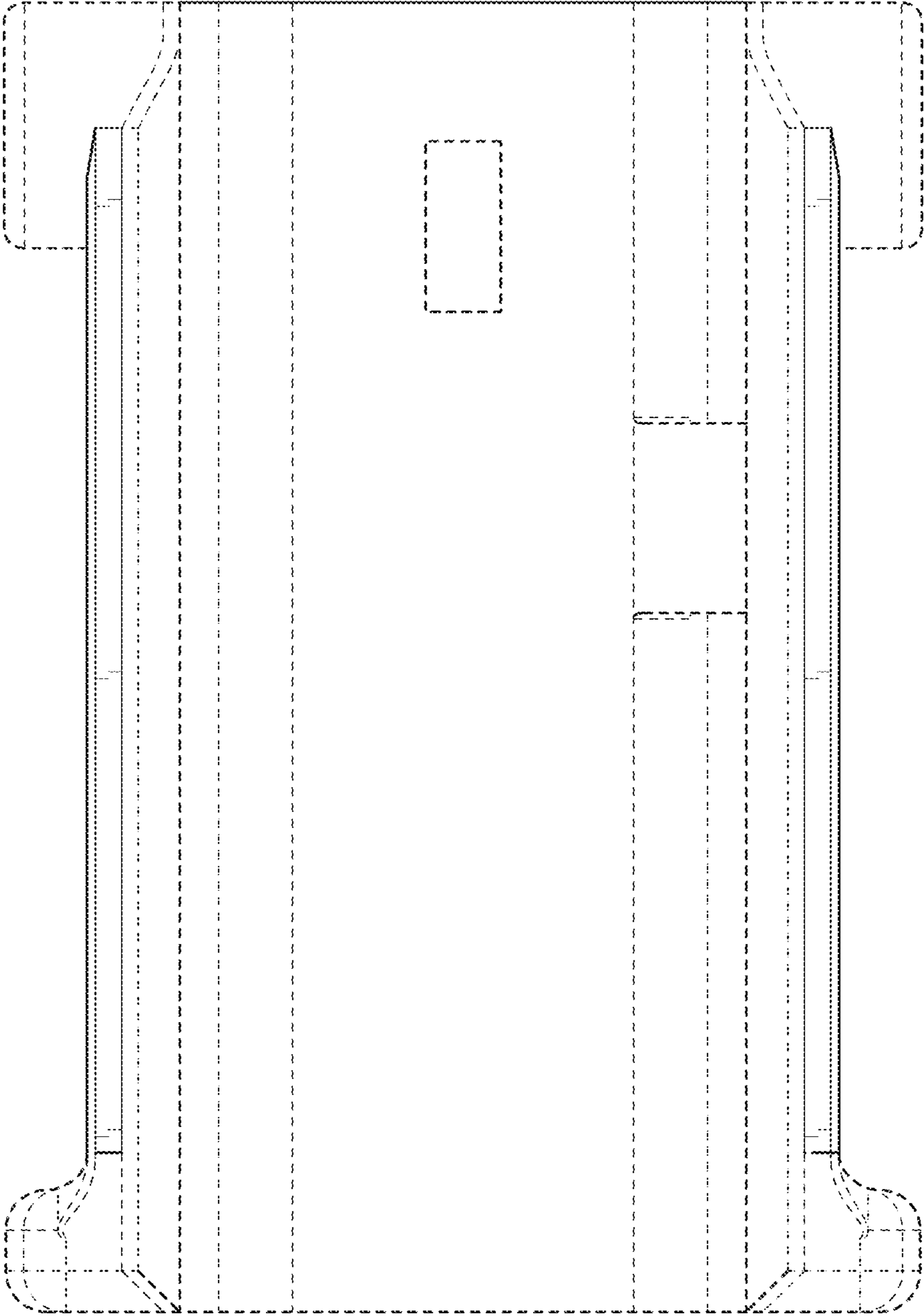


FIG. 21

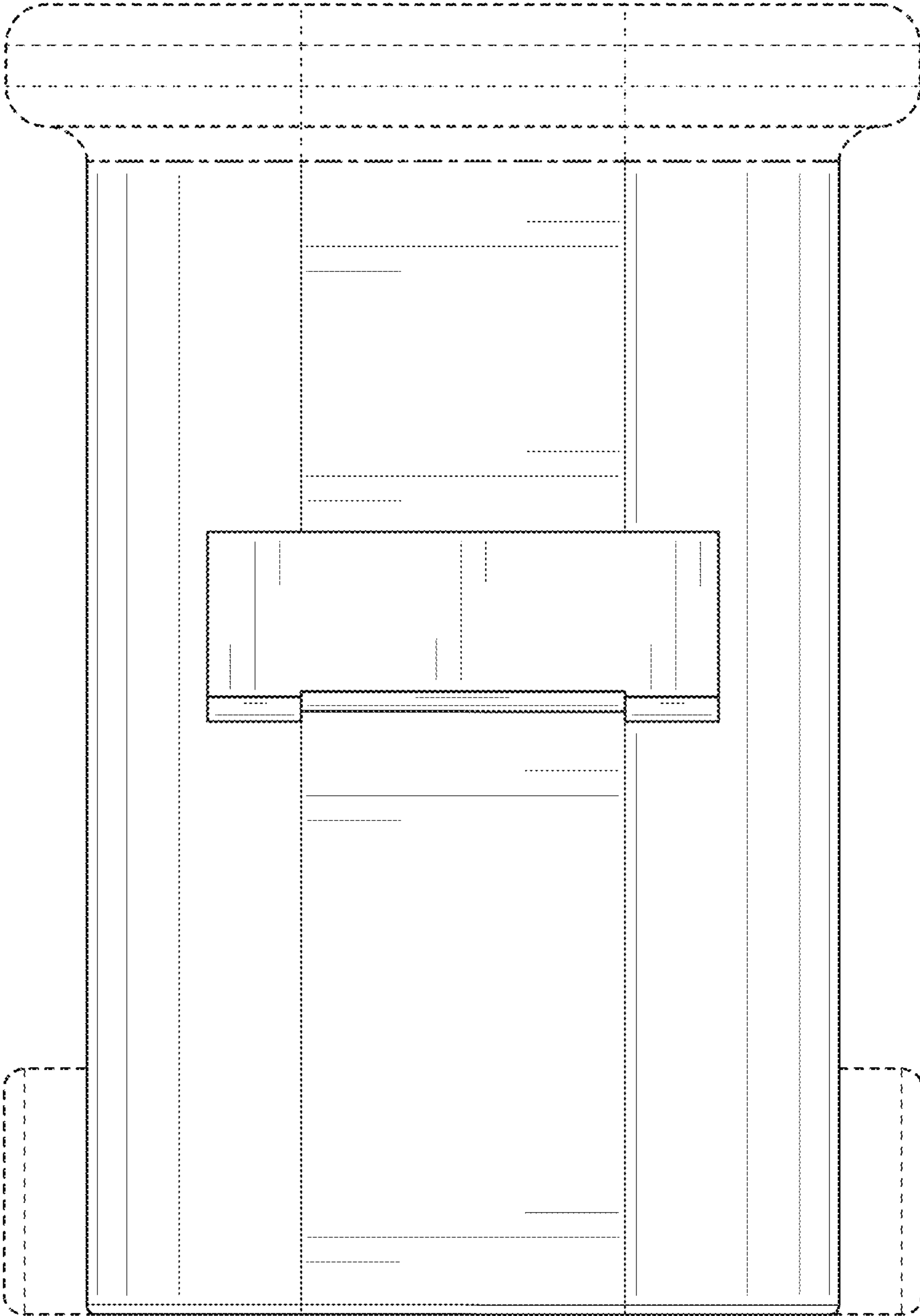


FIG. 22

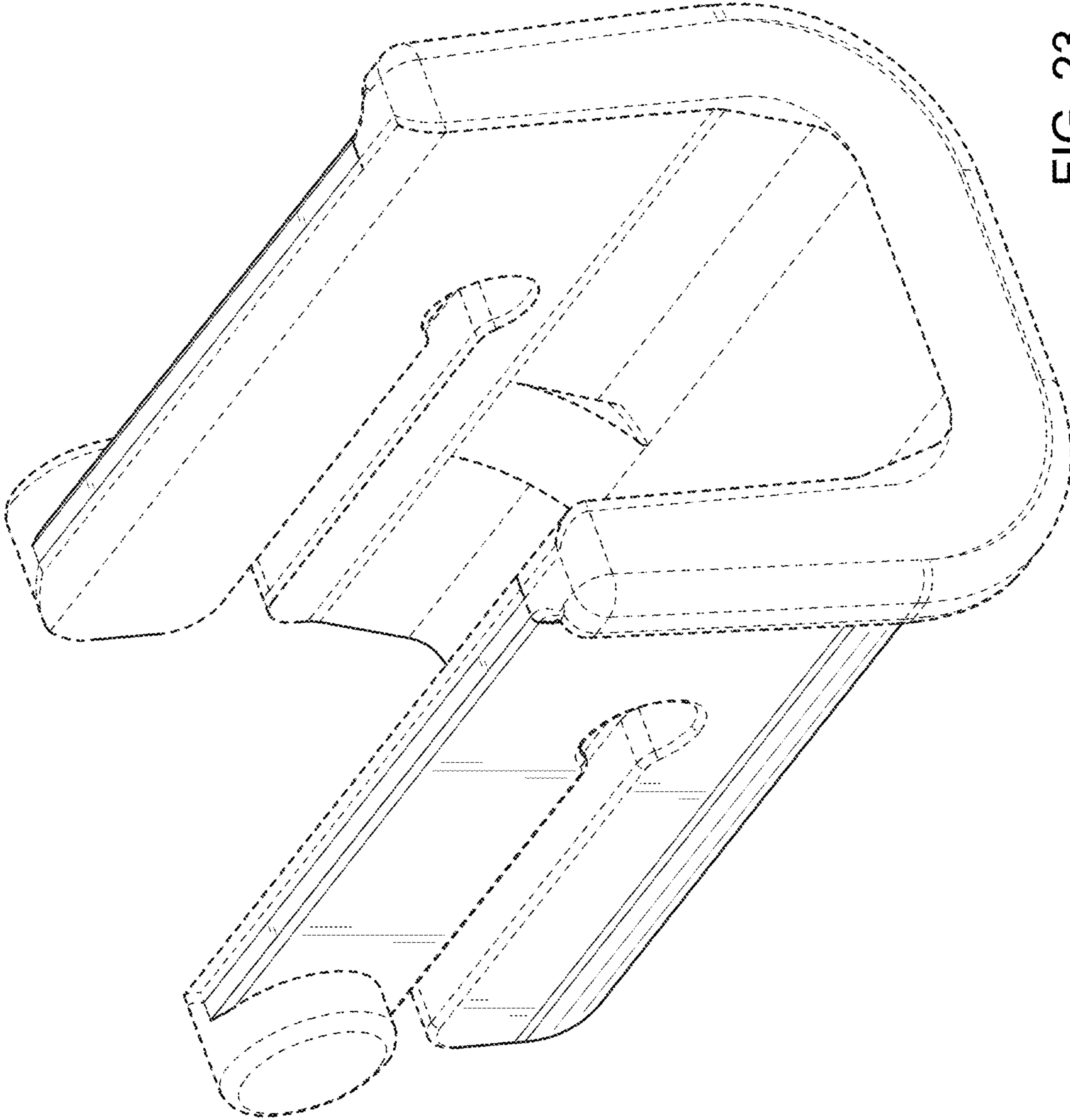


FIG. 23

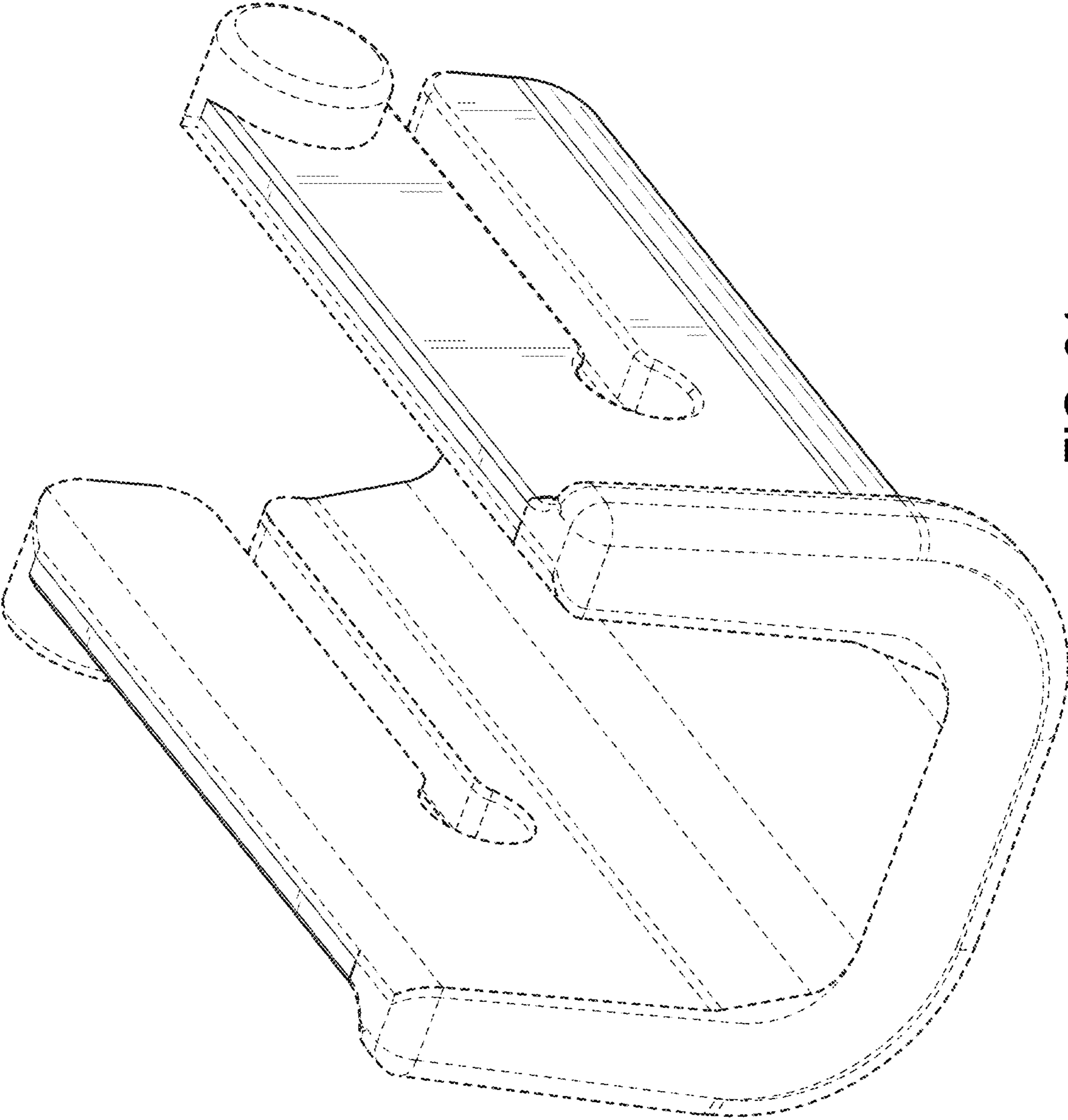


FIG. 24