



US00D957562S

(12) **United States Design Patent**  
**Giaquinta**

(10) **Patent No.:** **US D957,562 S**

(45) **Date of Patent:** **\*\* Jul. 12, 2022**

(54) **SWIM FIN**  
(71) Applicant: **SEACSUB S.p.A.**, S. Colombano Certenoli (IT)

D842,412 S \* 3/2019 Conti ..... D21/806  
D861,105 S \* 9/2019 Sharpe ..... D21/806  
D886,223 S \* 6/2020 DiLorenzo ..... A63B 31/11  
D21/806  
10,744,374 B1 \* 8/2020 DiLorenzo ..... A63B 31/11  
2019/0151719 A1 5/2019 Sullivan

(72) Inventor: **Ciro Giaquinta**, Orero (IT)

(73) Assignee: **SEACSUB S.P.A.**, San Colomabno Certenoli (IT)

(\*\*) Term: **15 Years**

(21) Appl. No.: **35/510,036**

(22) Filed: **Jul. 27, 2020**

(80) **Hague Agreement Data**

Int. Filing Date: **Jul. 27, 2020**  
Int. Reg. No.: **DM/209614**  
Int. Reg. Date: **Jul. 27, 2020**  
Int. Reg. Pub. Date: **Aug. 14, 2020**

(30) **Foreign Application Priority Data**

Jan. 28, 2020 (EM) ..... 007564604

(51) **LOC (13) Cl.** ..... **21-02**

(52) **U.S. Cl.**  
USPC ..... **D21/806**

(58) **Field of Classification Search**  
USPC ..... D21/678, 801, 803, 804, 806, 807, 808  
CPC ..... A63B 31/00; A63B 31/08; A63B 31/10;  
A63B 31/11; A63B 31/112; A63B 31/115;  
A63B 31/117; A63B 31/12  
See application file for complete search history.

(56) **References Cited**

**U.S. PATENT DOCUMENTS**

4,838,824 A 6/1989 McCredie  
D302,999 S 8/1989 McCredie  
6,520,816 B1 \* 2/2003 Hu ..... A63B 31/11  
441/64

**OTHER PUBLICATIONS**

SEAC Shuttle Sport, seacsub.com, 2021. Retrieved from the internet Jul. 7, 2021 <URL: https://b2b.seacsub.com/seacsub/52/swimming-swimming-fins/0710048/shuttle-sport.html#0710048-6> (Year: 2021).\*

\* cited by examiner

*Primary Examiner* — Joseph Kukella

(74) *Attorney, Agent, or Firm* — Maschoff Brennan

(57) **CLAIM**

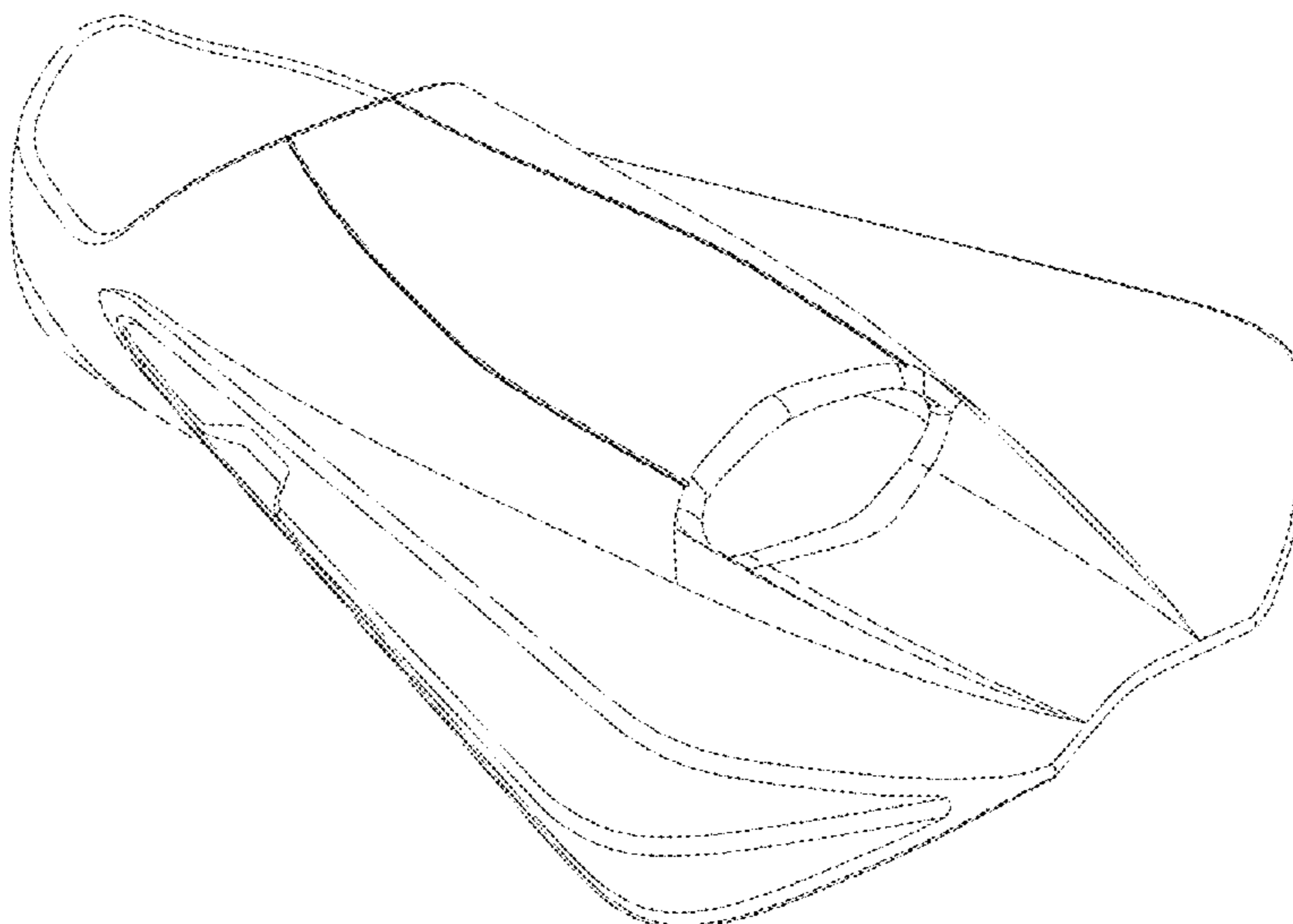
The ornamental design for a swim fin, as shown and described.

**DESCRIPTION**

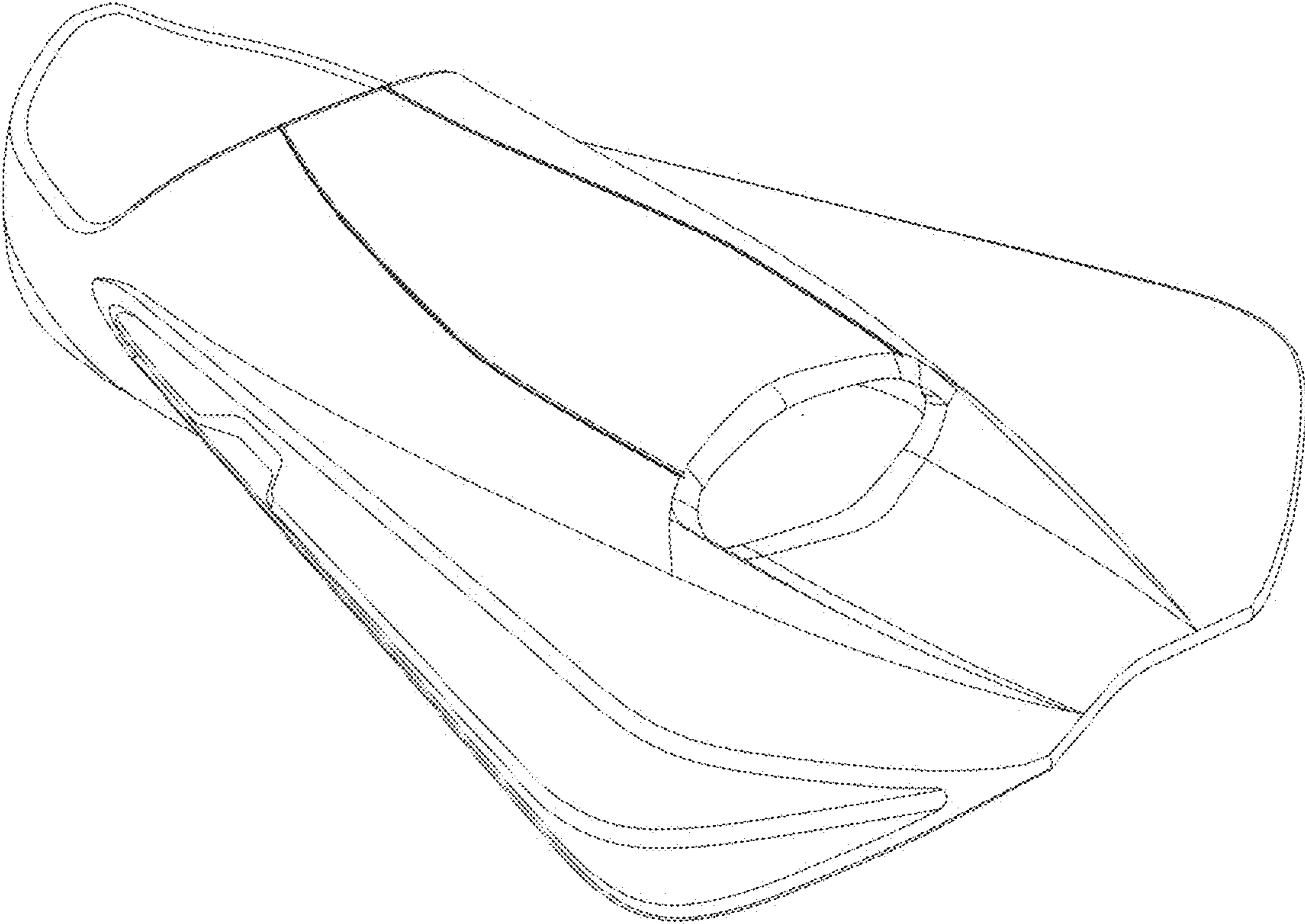
- 1. Swim fin
- 1.1 : Perspective
- 1.2 : Top
- 1.3 : Bottom
- 1.4 : Left
- 1.5 : Right
- 1.6 : Back
- 1.7 : Front

FIG. 1.1 is a perspective elevational view of swim fins showing my new design; FIG. 1.2 is a top plan view thereof; FIG. 1.3 is a bottom plan view thereof; FIG. 1.4 is a left side view thereof; FIG. 1.5 is a right side view thereof; FIG. 1.6 is a rear elevational view thereof; FIG. 1.7 is a front elevational view thereof; Where included, hair lines which shows changes of curvatures are for illustrative purposes only and form no part of the claimed design.

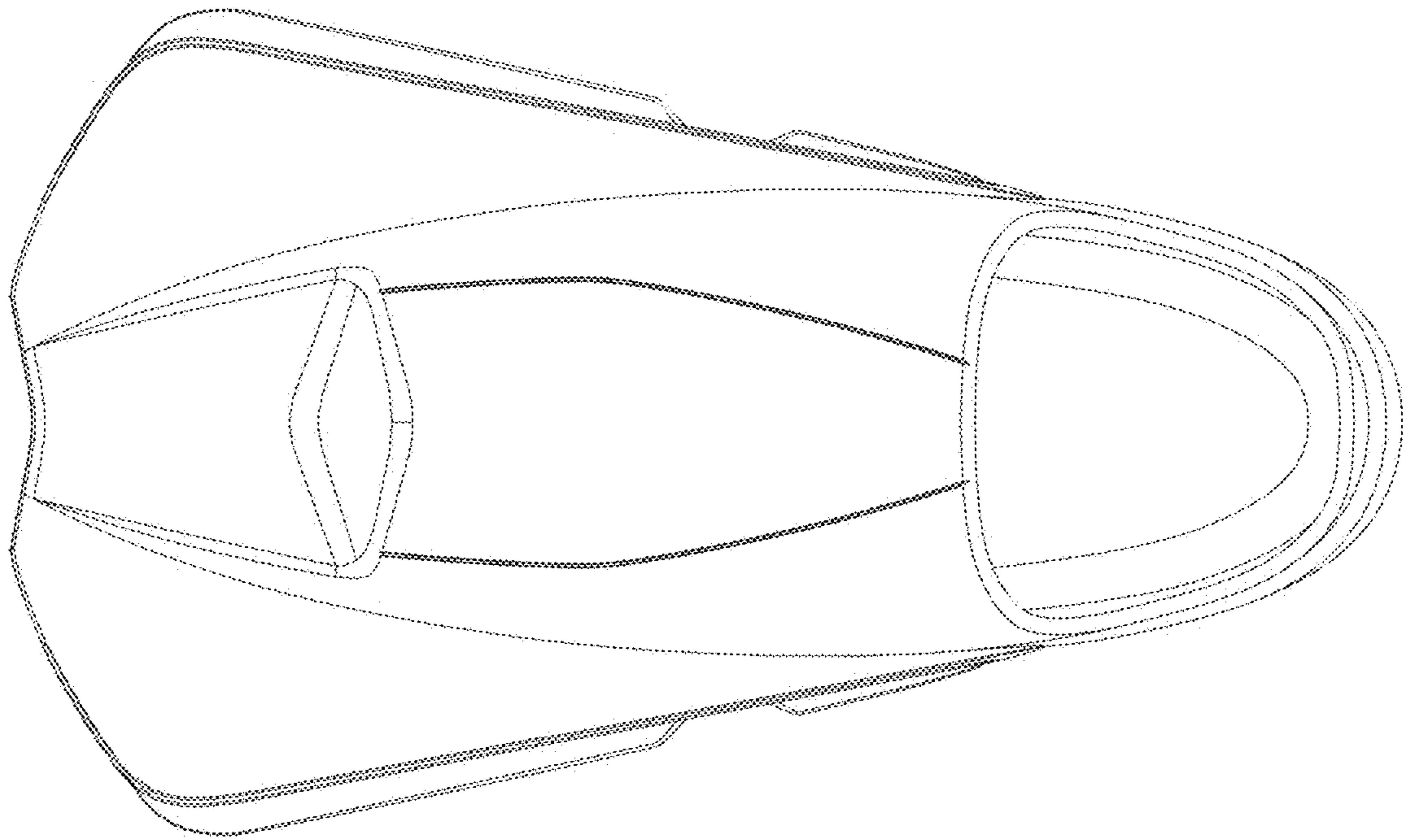
**1 Claim, 7 Drawing Sheets**



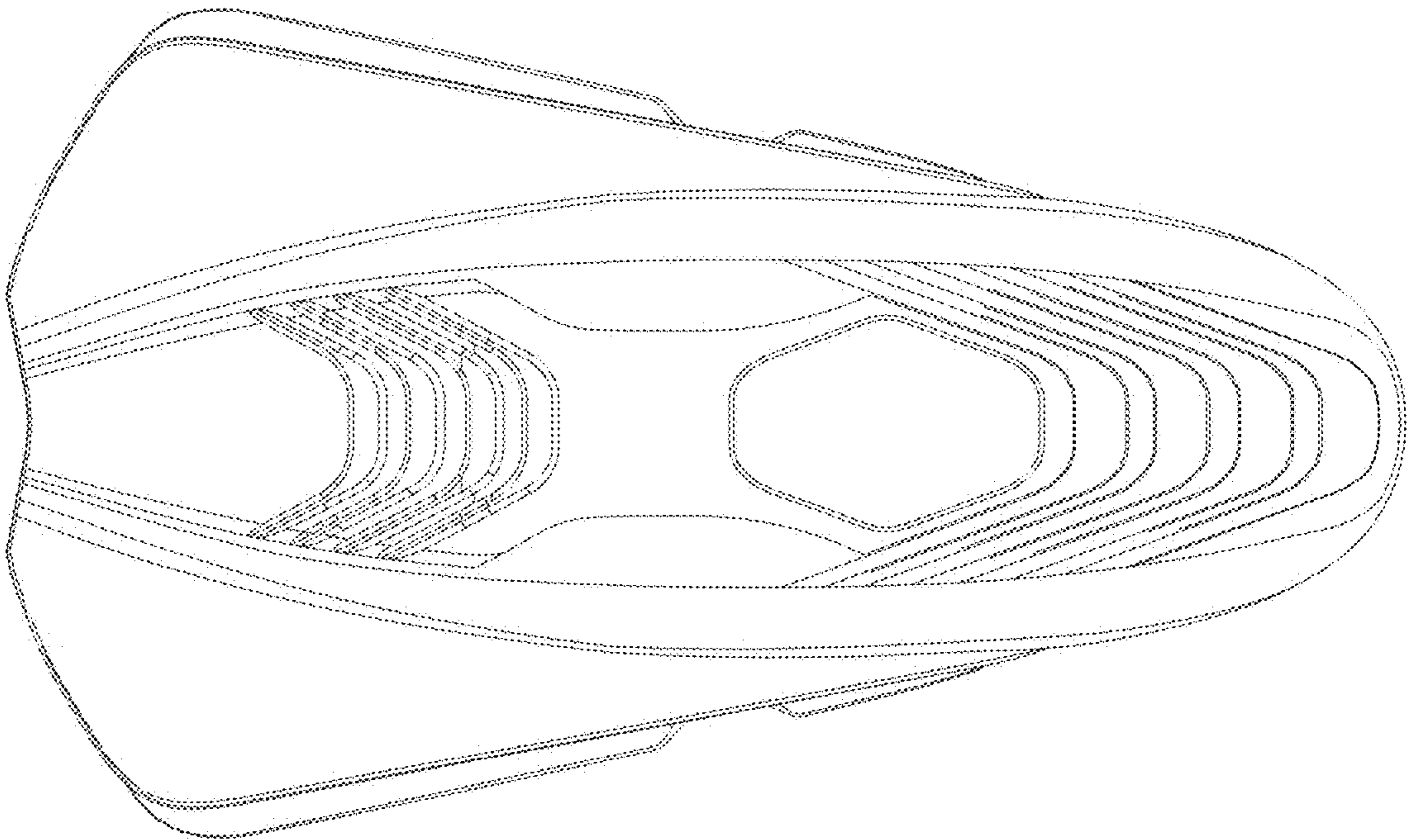
1.1



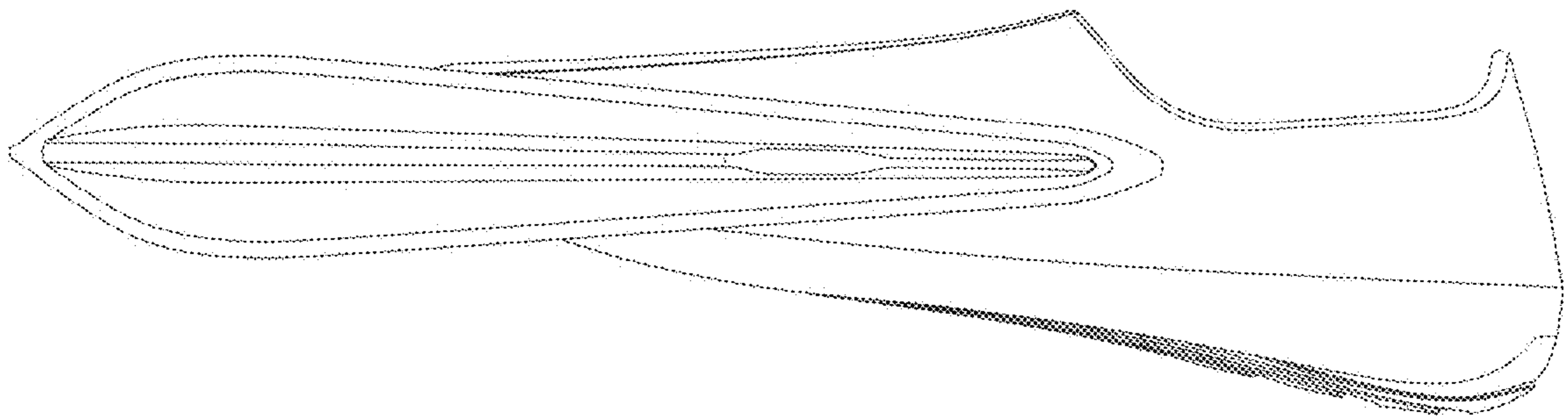
1.2



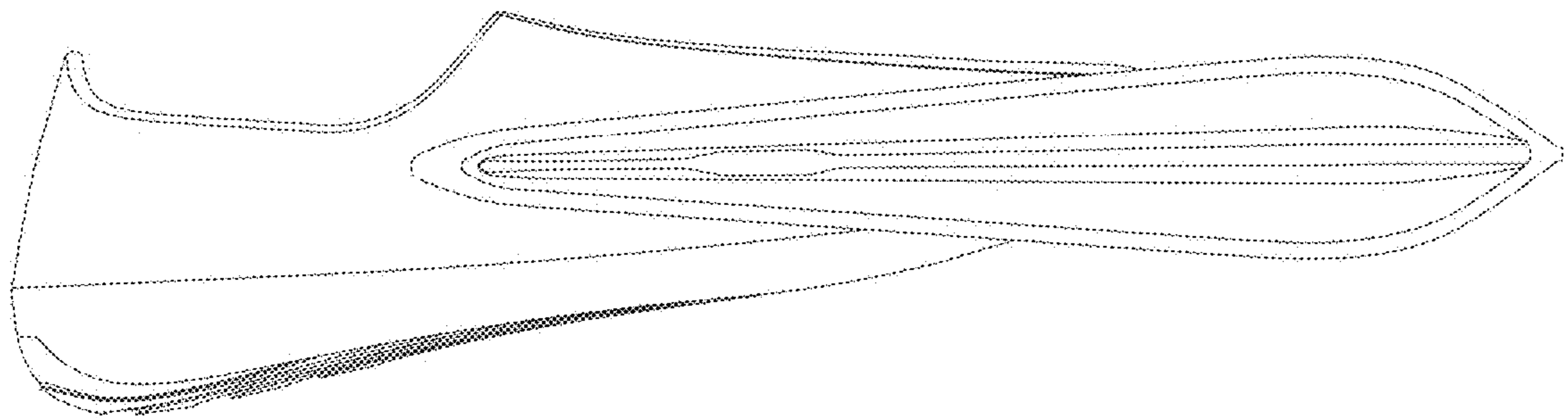
1.3



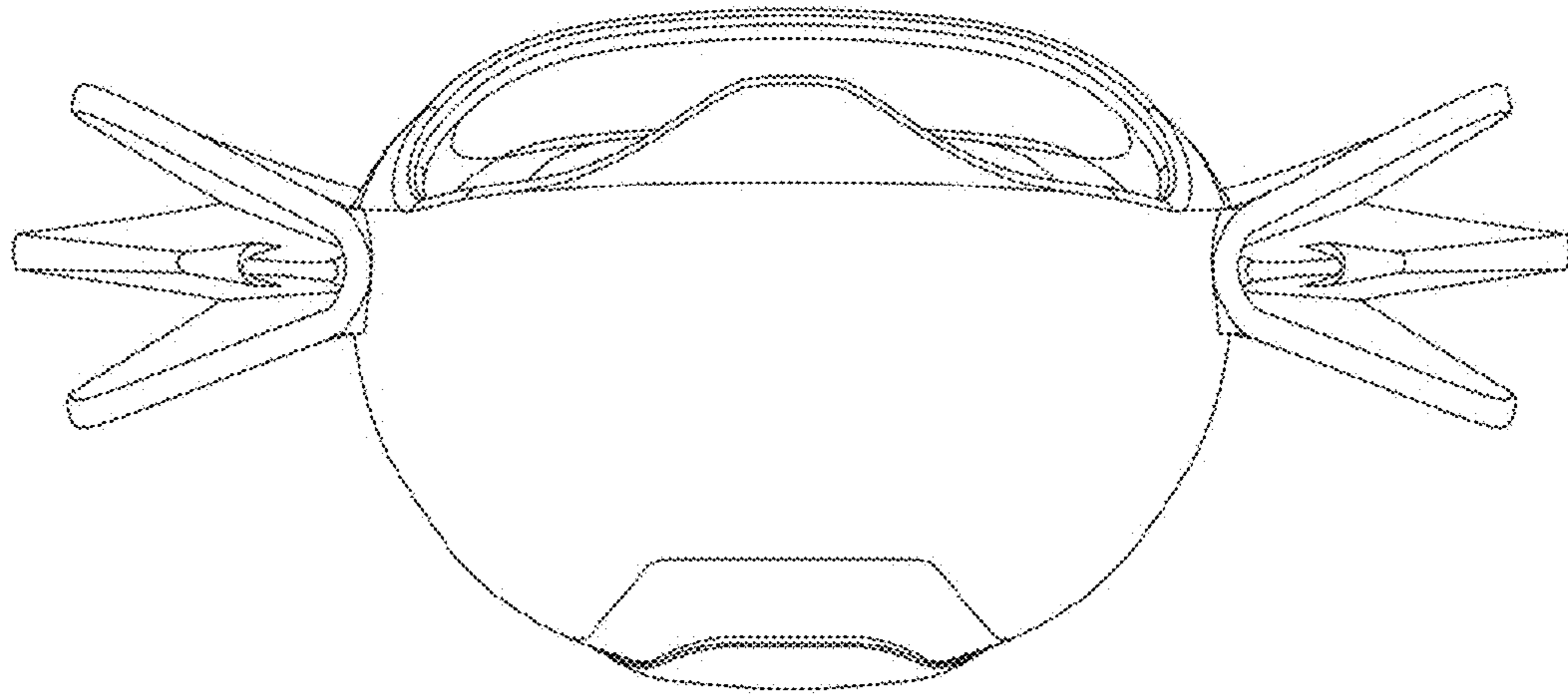
1.4



1.5



1.6



1.7

