



US00D957559S

(12) **United States Design Patent**
Shen

(10) **Patent No.:** **US D957,559 S**
(45) **Date of Patent:** **** Jul. 12, 2022**

(54) **POWER SURFBOARD**
(71) Applicant: **SHENZHEN RIDETECH ELECTRONICS CO., LTD**, Shenzhen (CN)
(72) Inventor: **Yu Shen**, Shenzhen (CN)
(73) Assignee: **SHENZHEN RIDETECH ELECTRONICS CO., LTD**, Shenzhen (CN)

5,447,459 A * 9/1995 Hammond B63B 32/50
114/66
D389,546 S * 1/1998 Stewart D21/769
6,192,817 B1 * 2/2001 Dec F02B 61/045
114/55.56
10,035,570 B1 * 7/2018 Barron B63C 9/02
D882,010 S * 4/2020 Vermillion D21/769
2006/0094310 A1 * 5/2006 Railey B63B 32/10
440/38

(**) Term: **15 Years**

* cited by examiner

Primary Examiner — Zenia I Bennett

(21) Appl. No.: **29/732,798**
(22) Filed: **Apr. 28, 2020**
(51) **LOC (13) Cl.** **21-02**
(52) **U.S. Cl.**
USPC **D21/769**
(58) **Field of Classification Search**
USPC D21/769, 770, 801, 803; D12/300, 302,
D12/306, 307
CPC B63B 32/00; B63B 32/10; B63B 32/20;
B63B 32/30; B63B 32/40
See application file for complete search history.

(57) **CLAIM**

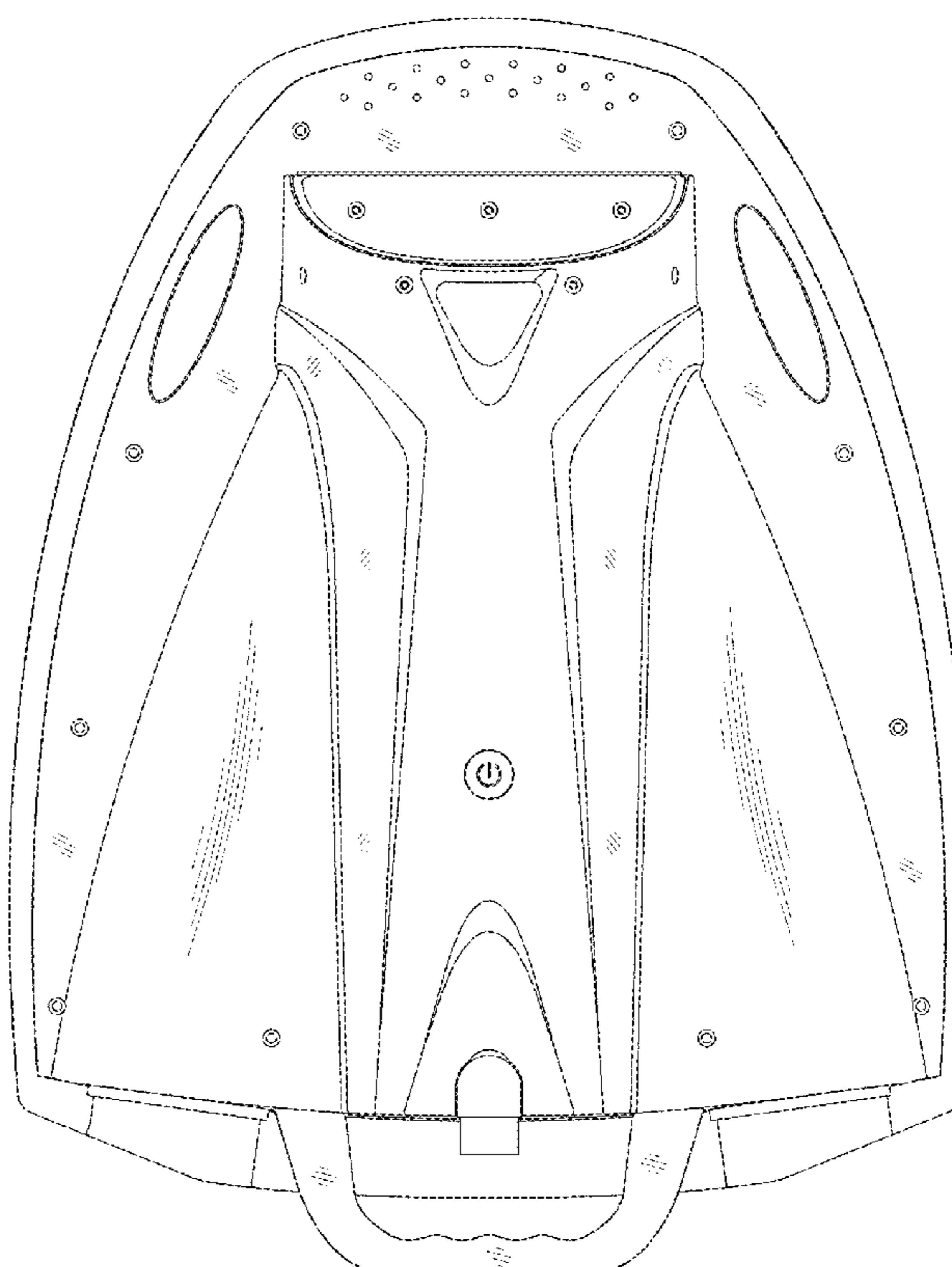
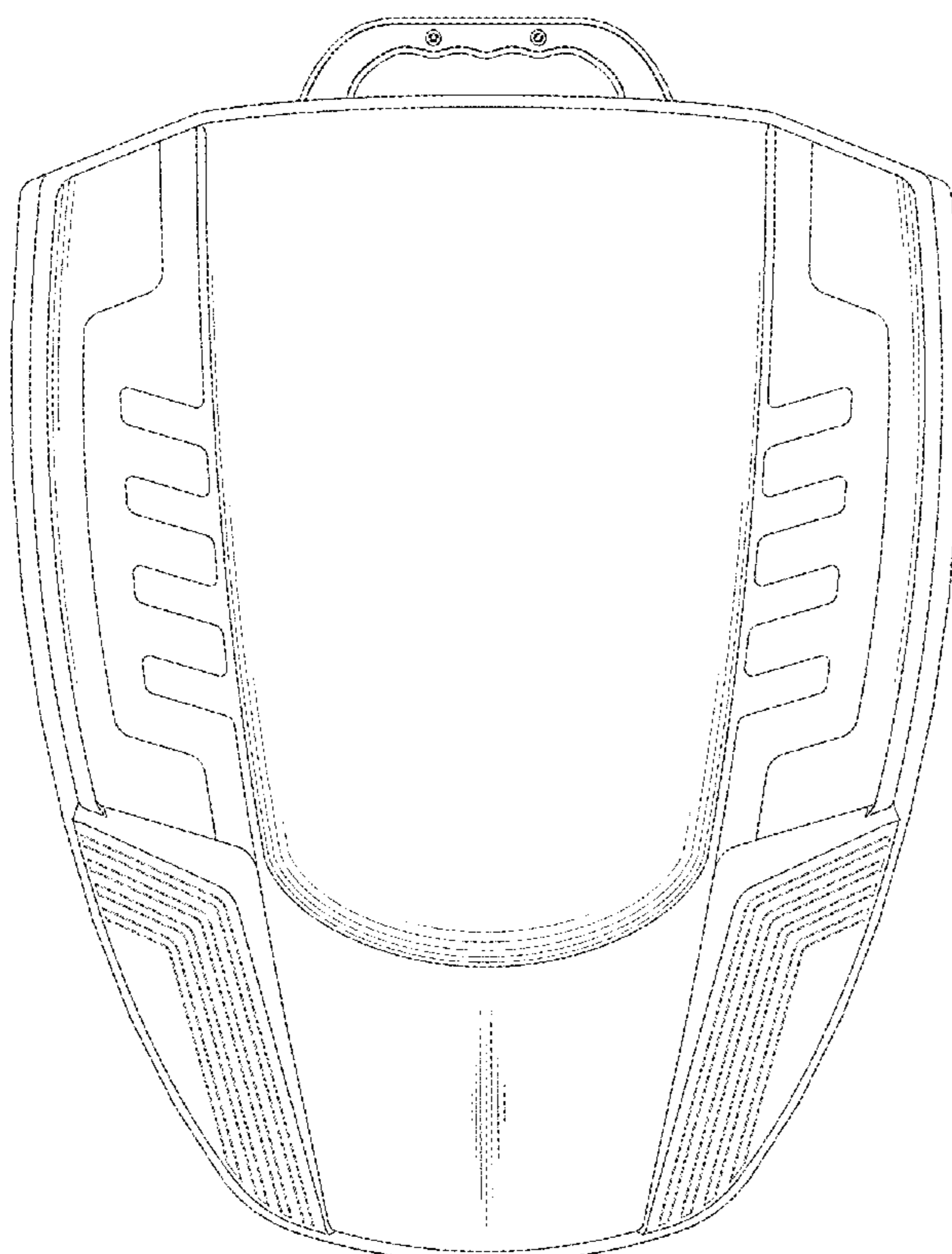
The ornamental design for a power surfboard, as shown and described.

DESCRIPTION

FIG. 1 is a front view of a power surfboard, showing my new design;
FIG. 2 is a rear view thereof;
FIG. 3 is a left side view thereof;
FIG. 4 is a right side view thereof;
FIG. 5 is a top plan view thereof;
FIG. 6 is a bottom plan view thereof;
FIG. 7 is a perspective view thereof; and,
FIG. 8 is another perspective view thereof.

(56) **References Cited**
U.S. PATENT DOCUMENTS
D289,031 S * 3/1987 Monostory D21/769
5,114,370 A * 5/1992 Moran B63B 32/22
441/74

1 Claim, 8 Drawing Sheets



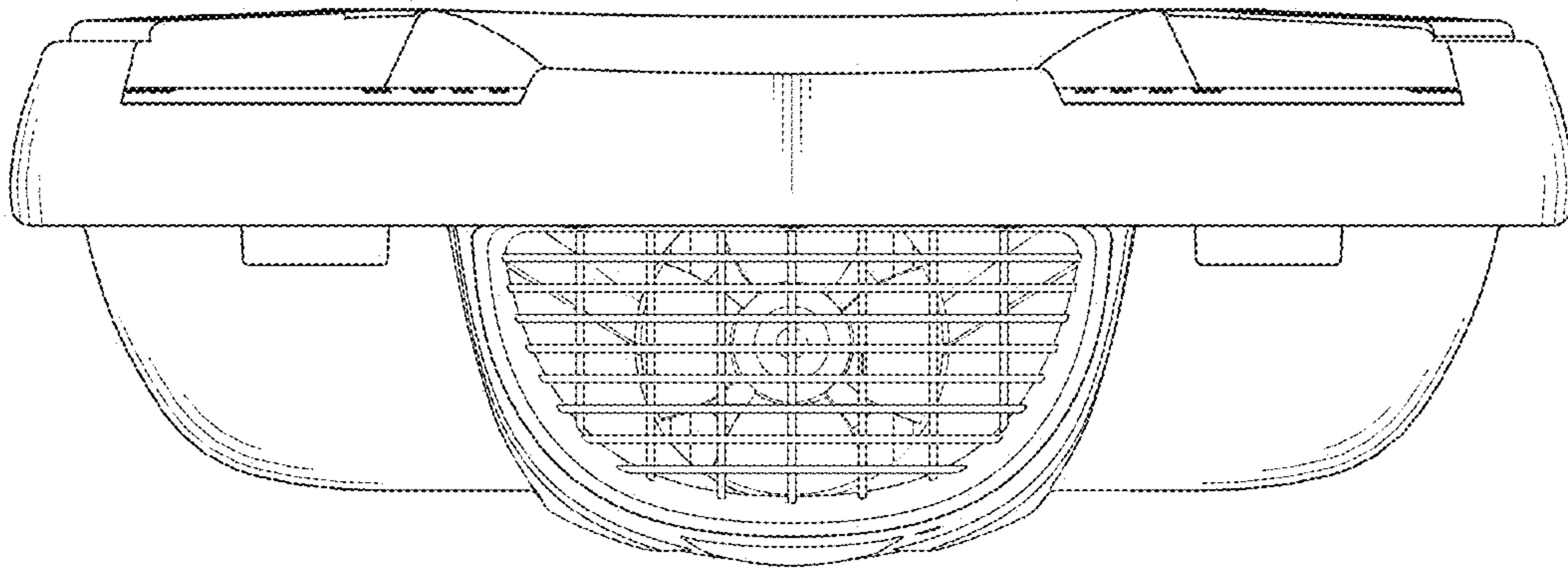


FIG.1

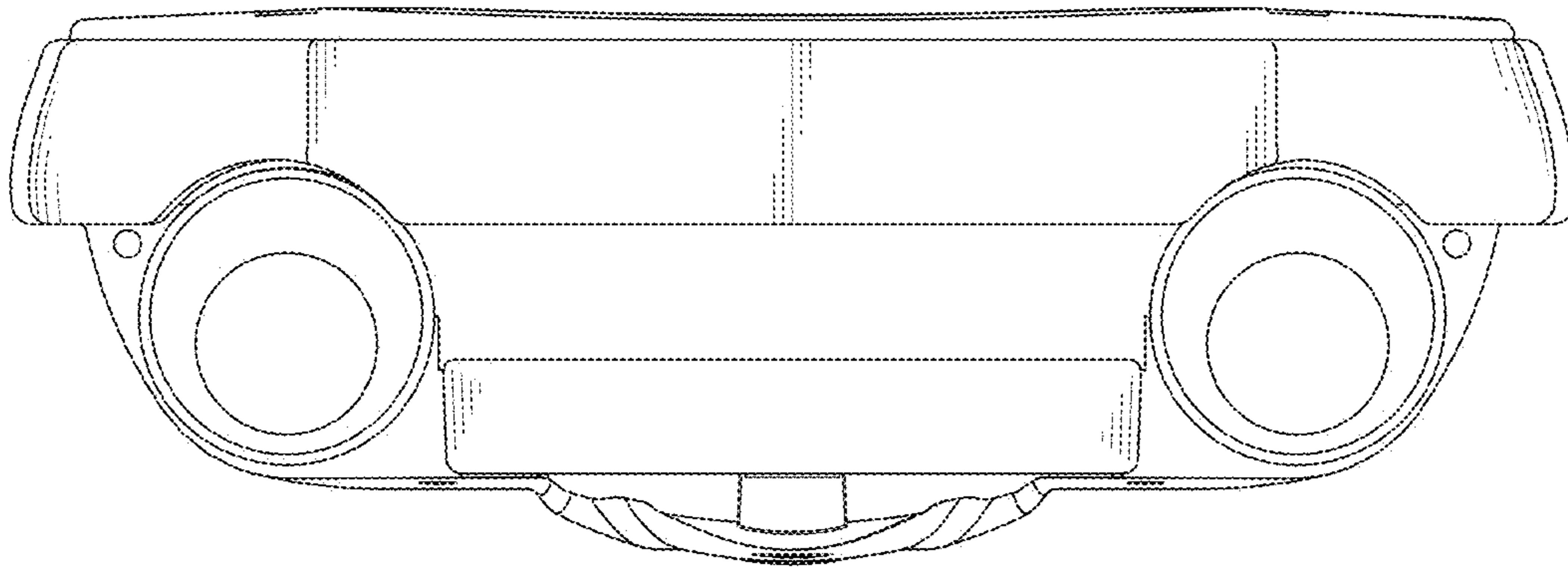


FIG.2

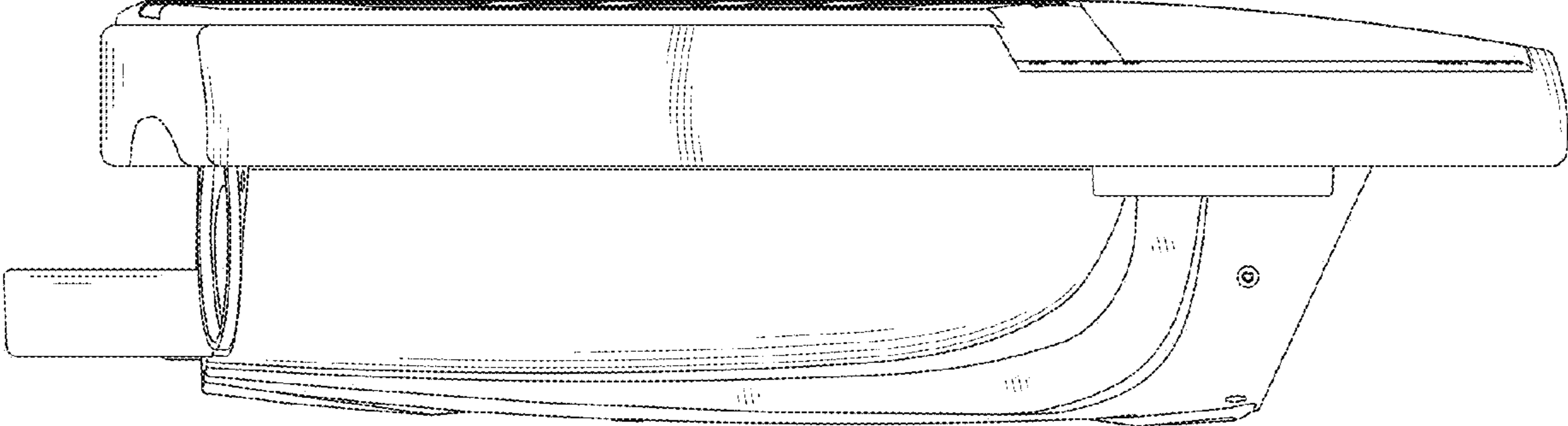


FIG. 3

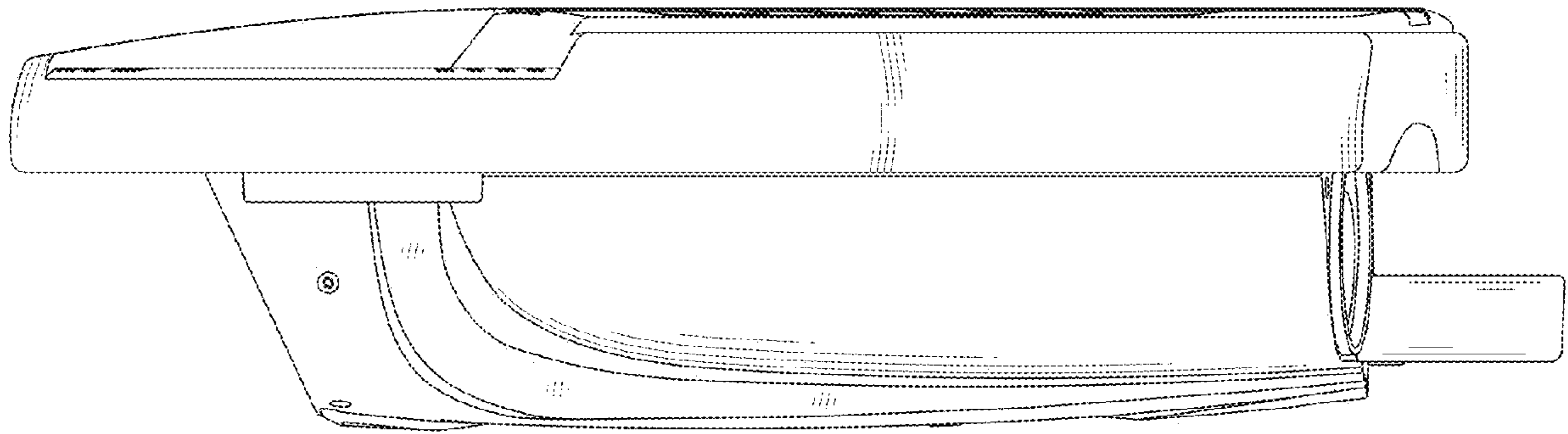


FIG. 4

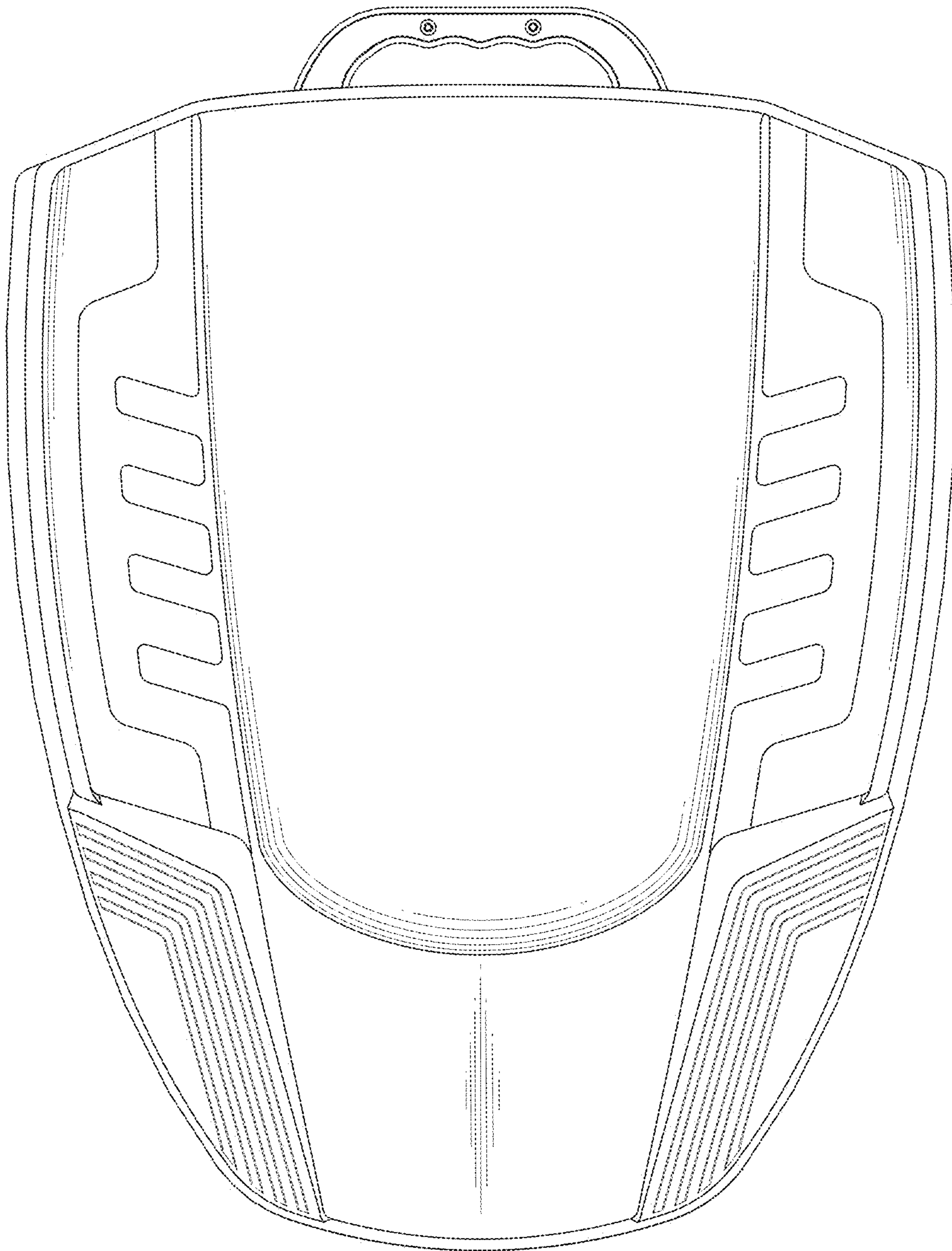


FIG.5

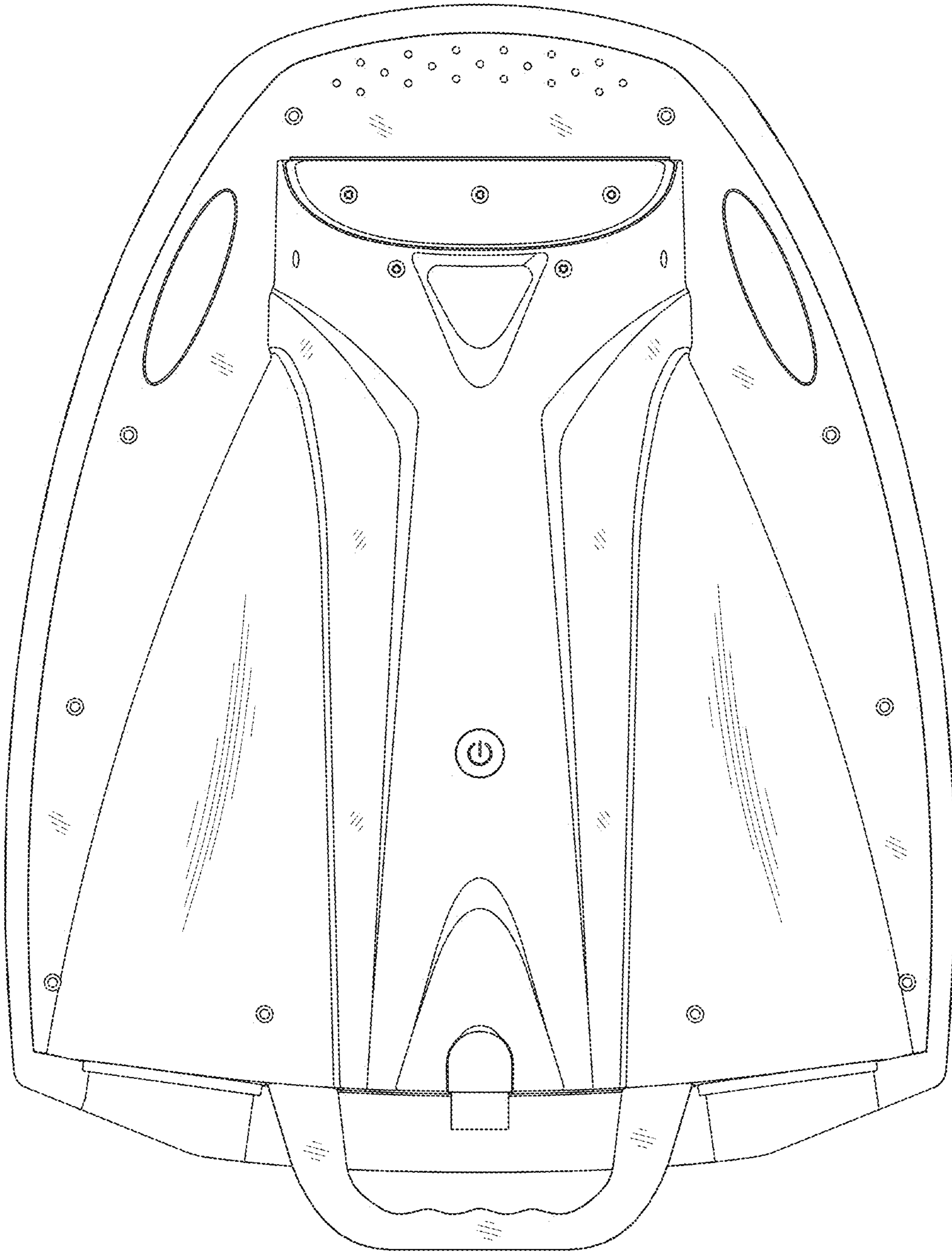


FIG.6

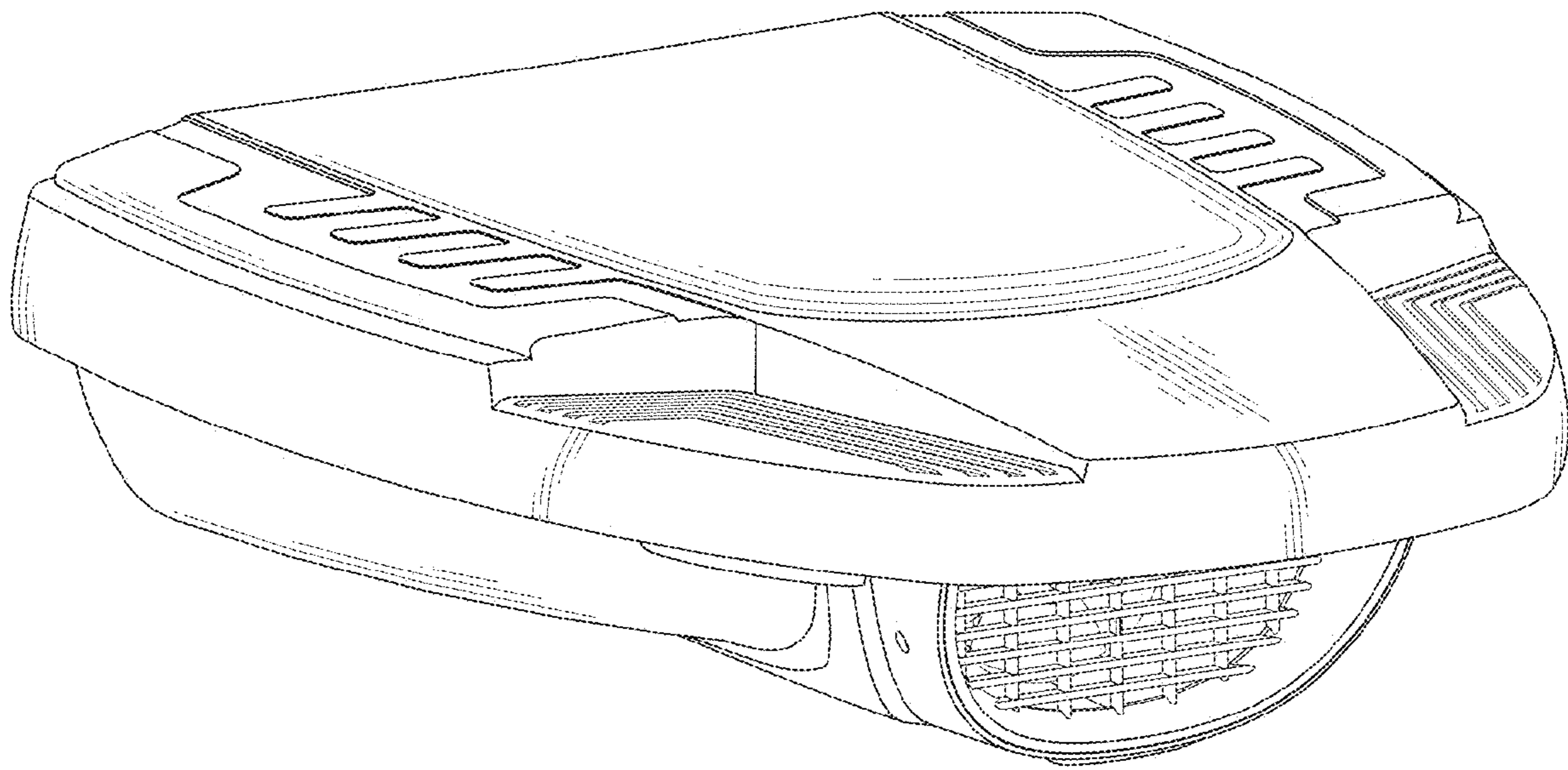


FIG. 7

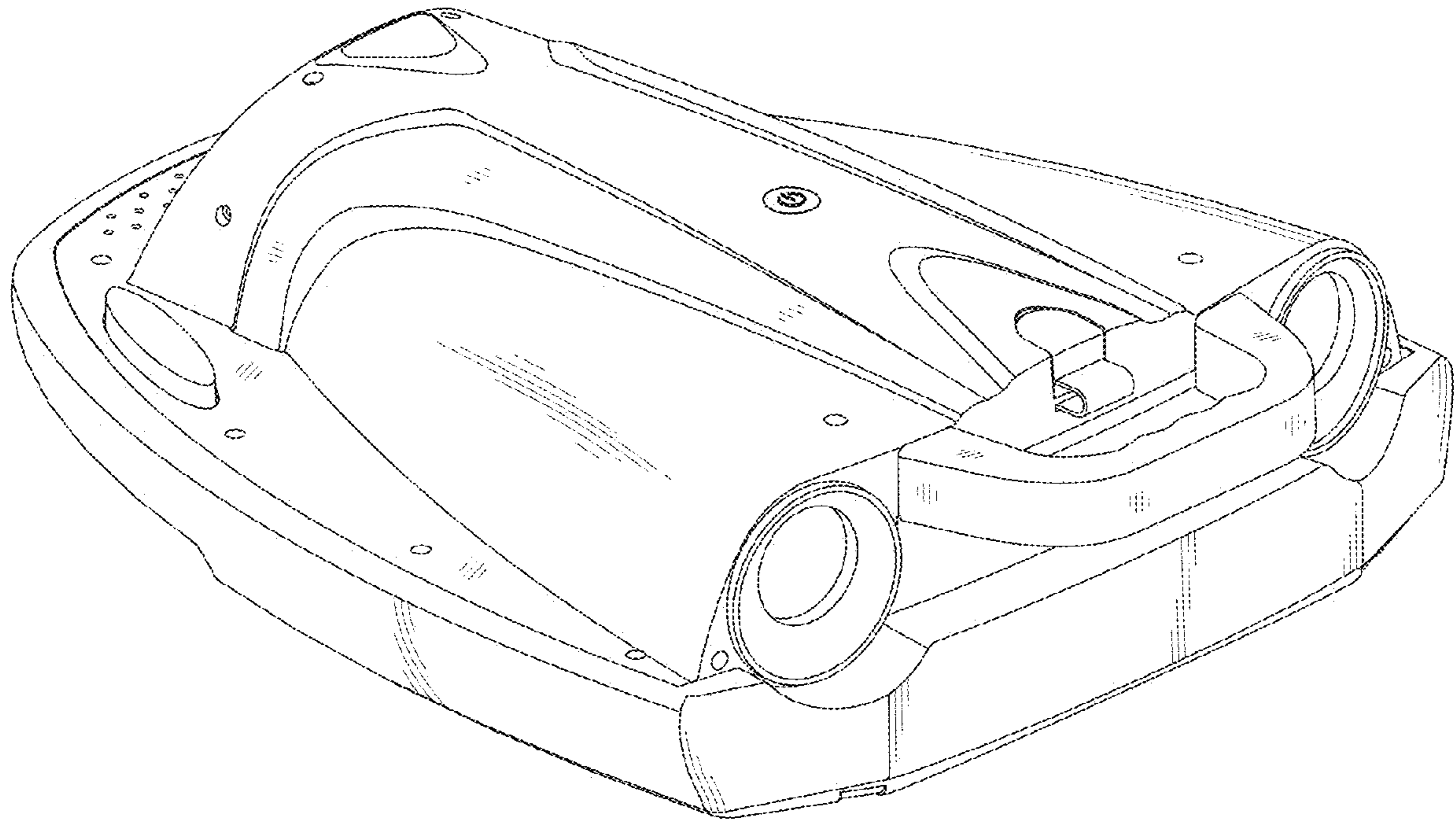


FIG.8