



US00D957554S

(12) **United States Design Patent** (10) **Patent No.:** **US D957,554 S**
Bilous (45) **Date of Patent:** **** Jul. 12, 2022**

(54) **GOLF CLUB HEAD**

(71) Applicant: **American Millennium Visionaries LLC**, Citrus Springs, FL (US)

(72) Inventor: **Alexander Christopher Bilous**, Citrus Springs, FL (US)

(**) Term: **15 Years**

(21) Appl. No.: **29/745,919**

(22) Filed: **Aug. 11, 2020**

(51) **LOC (13) Cl.** **21-02**

(52) **U.S. Cl.**
USPC **D21/747**

(58) **Field of Classification Search**
USPC D21/747-751, 759
CPC A63B 53/00; A63B 53/02; A63B 53/04;
A63B 53/047; A63B 53/0475; A63B
2053/0479; A63B 2053/0483; A63B
2053/0445; A63B 60/00; A63B 60/46
See application file for complete search history.

(56) **References Cited**

U.S. PATENT DOCUMENTS

D44,457 S *	8/1913	Taylor, Jr.	D21/751
1,089,881 A *	3/1914	Taylor, Jr.	A63B 60/00 473/328
1,669,482 A	5/1928	Miller	
1,695,598 A	12/1928	Kerr	
D212,293 S *	9/1968	Brown, Jr.	D21/751
3,719,359 A *	3/1973	Evans	A63B 53/04 473/328
3,830,503 A *	8/1974	Consoli	A63B 60/00 473/328
4,332,388 A	6/1982	Crow	
D266,344 S	9/1982	Duclos	
D332,476 S	1/1993	Dauguard	
5,213,329 A	5/1993	Okumoto	
5,280,911 A *	1/1994	Katayama	A63B 60/00 473/328
D345,403 S	3/1994	Sanchez	

5,524,890 A	6/1996	Kim	
D371,816 S	7/1996	Yoshioko	
D394,688 S	5/1998	Fox	
5,762,566 A	6/1998	King	
D419,214 S *	1/2000	Hamm	D21/750
D446,567 S	8/2001	Nagai	
D459,424 S *	6/2002	Asplund	A63B 53/047 D21/747

(Continued)

Primary Examiner — Mitchell I. Siegel

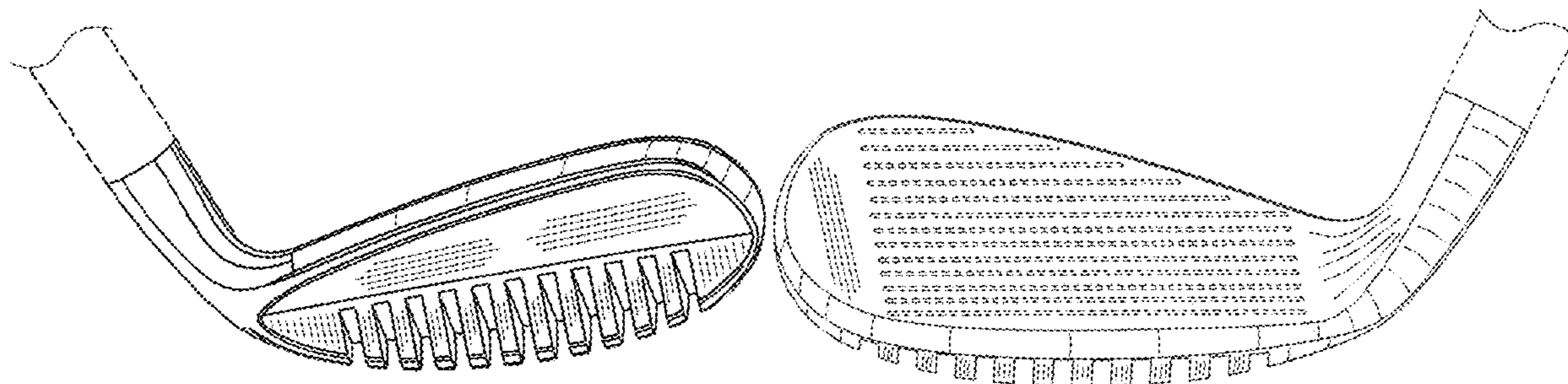
(57) **CLAIM**

The ornamental design for a golf club head, as shown and described herein.

DESCRIPTION

FIG. 1 is a front isometric view of a golf club head showing my new design;
 FIG. 2 is a front elevational view of the golf club head of FIG. 1;
 FIG. 3 is a rear elevational view of the golf club head of FIG. 1;
 FIG. 4 is a right side elevational view of the golf club head of FIG. 1;
 FIG. 5 is left side elevational view of the golf club head of FIG. 1;
 FIG. 6 is top plan view of the golf club head of FIG. 1;
 FIG. 7 is a bottom plan view of the golf club head of FIG. 1;
 FIG. 8 is a cross-sectional view taken on line 8-8 of FIG. 3;
 FIG. 9 is a perspective view of the golf club head of FIG. 1;
 and,
 FIG. 10 is a perspective view of the golf club head of FIG. 1.
 The features shown in broken lines in the drawing depict portions of the design that form no part of the claimed design.

1 Claim, 10 Drawing Sheets



(56)

References Cited

U.S. PATENT DOCUMENTS

6,517,449 B2 * 2/2003 Otoguro A63B 53/04
473/328
6,780,121 B2 8/2004 Herber
D510,970 S 10/2005 Elias
D524,888 S * 7/2006 Yu D21/747
D524,889 S * 7/2006 Yu D21/747
D531,245 S 10/2006 Shenoha
7,618,330 B2 * 11/2009 Krewalk A63B 60/00
473/328
D638,894 S * 5/2011 Potter D21/759
8,574,094 B2 11/2013 Nicolette
D698,880 S * 2/2014 Donaghue D21/747
D703,282 S * 4/2014 Breier D21/747
8,795,102 B2 8/2014 Knight
D766,388 S 9/2016 Wang
D791,894 S 7/2017 Oyler
D844,725 S * 4/2019 Oyler D21/747
D934,972 S * 11/2021 Chen D21/747

* cited by examiner

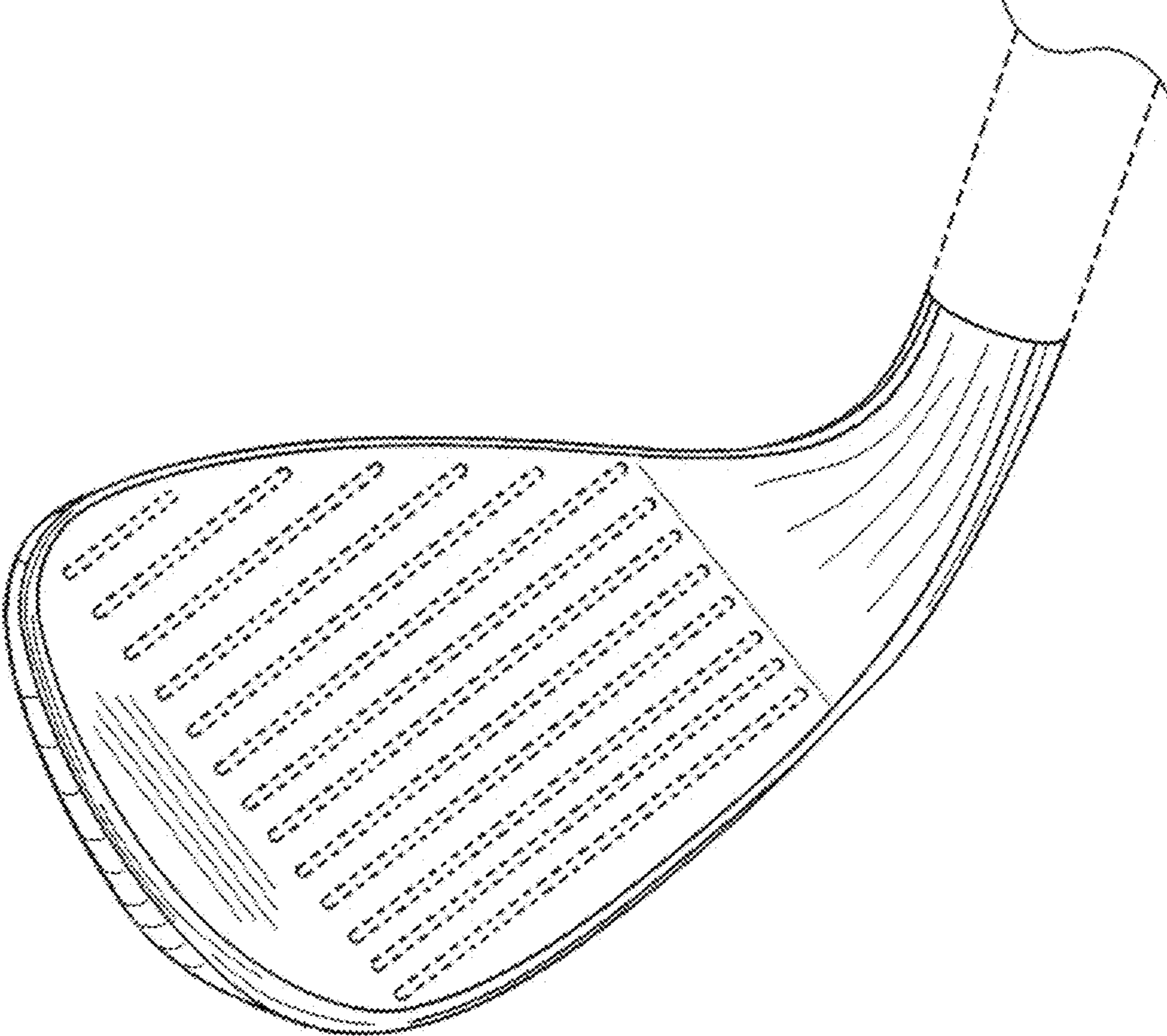


FIG. 1

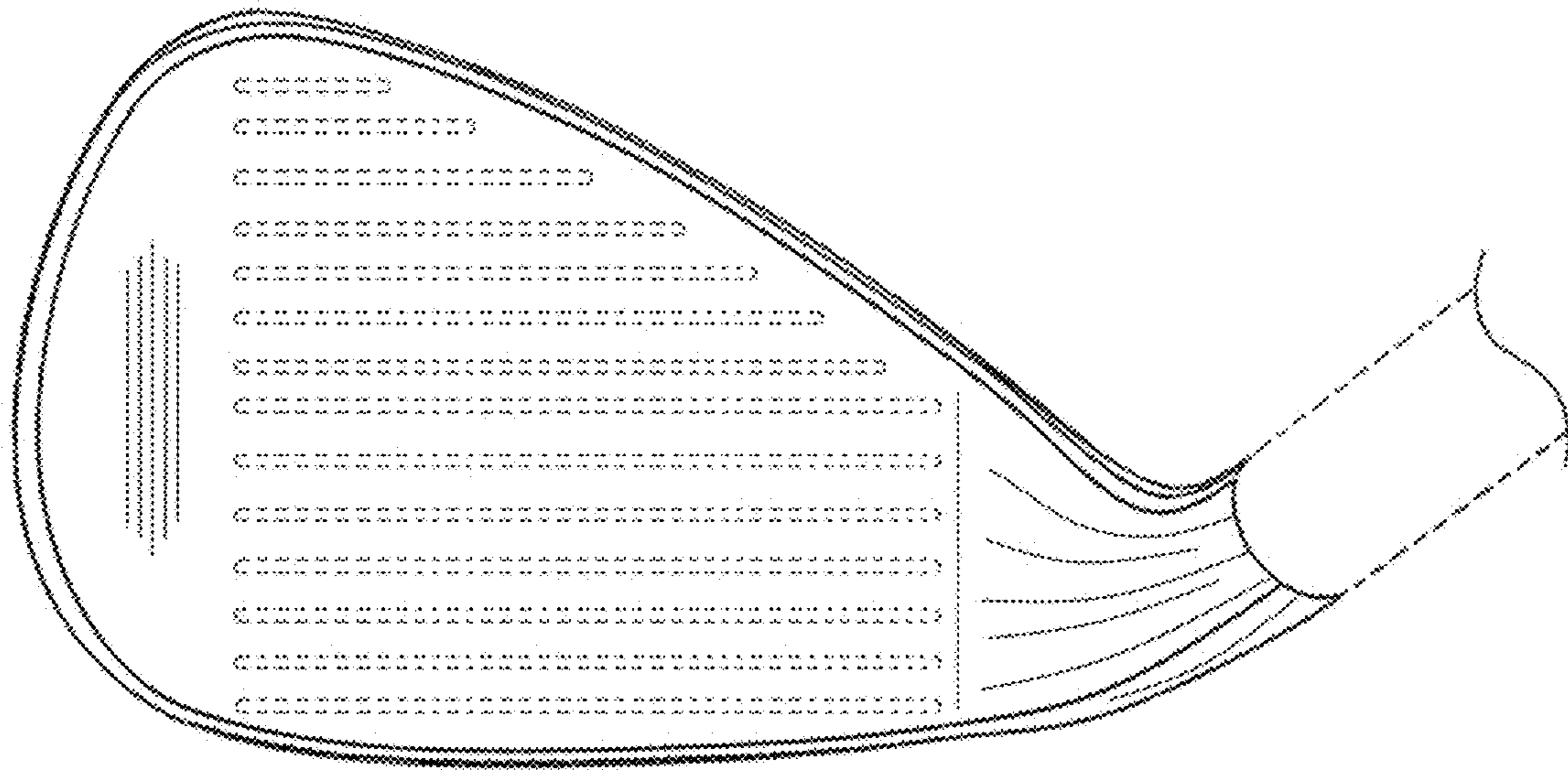


FIG. 2

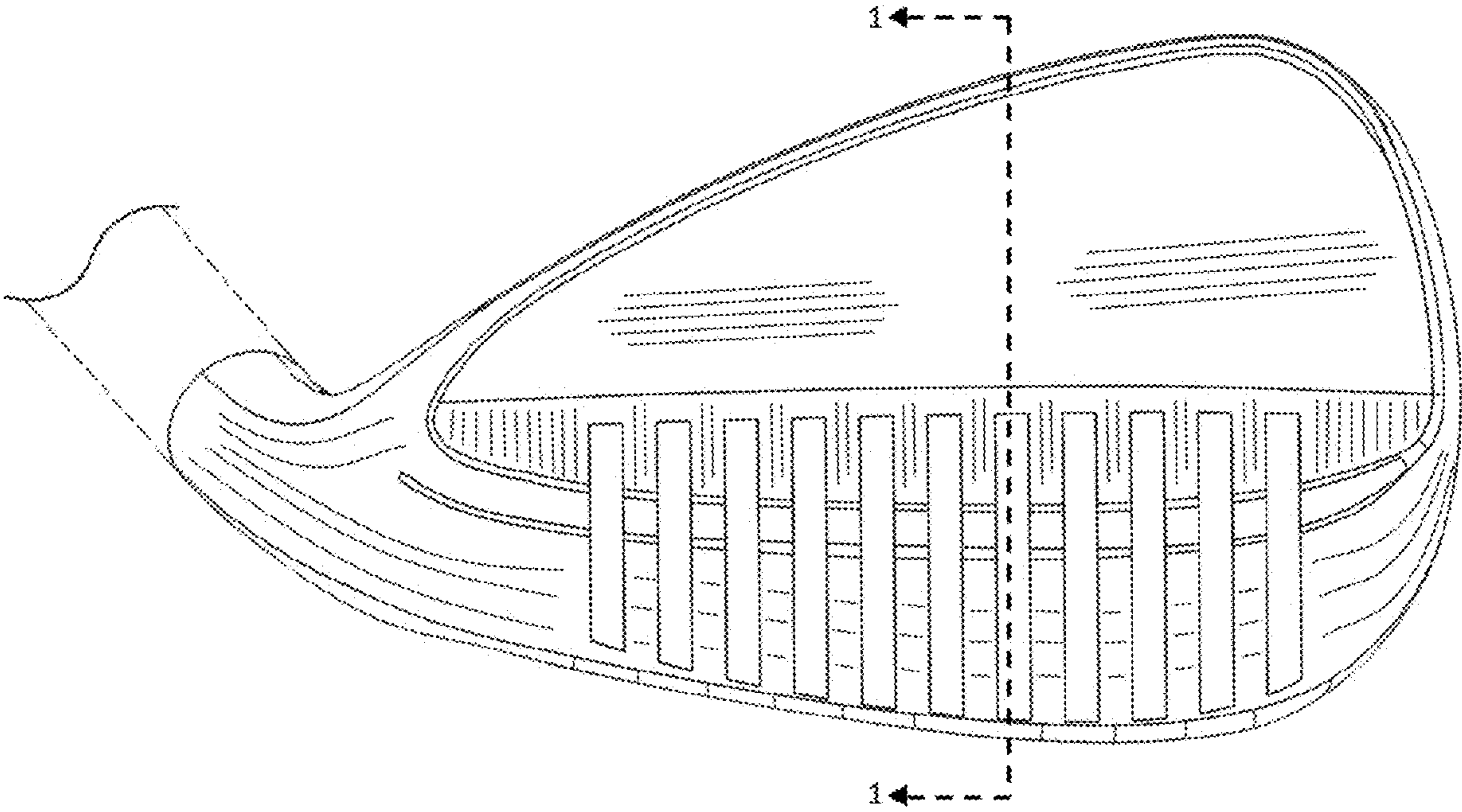


FIG. 3

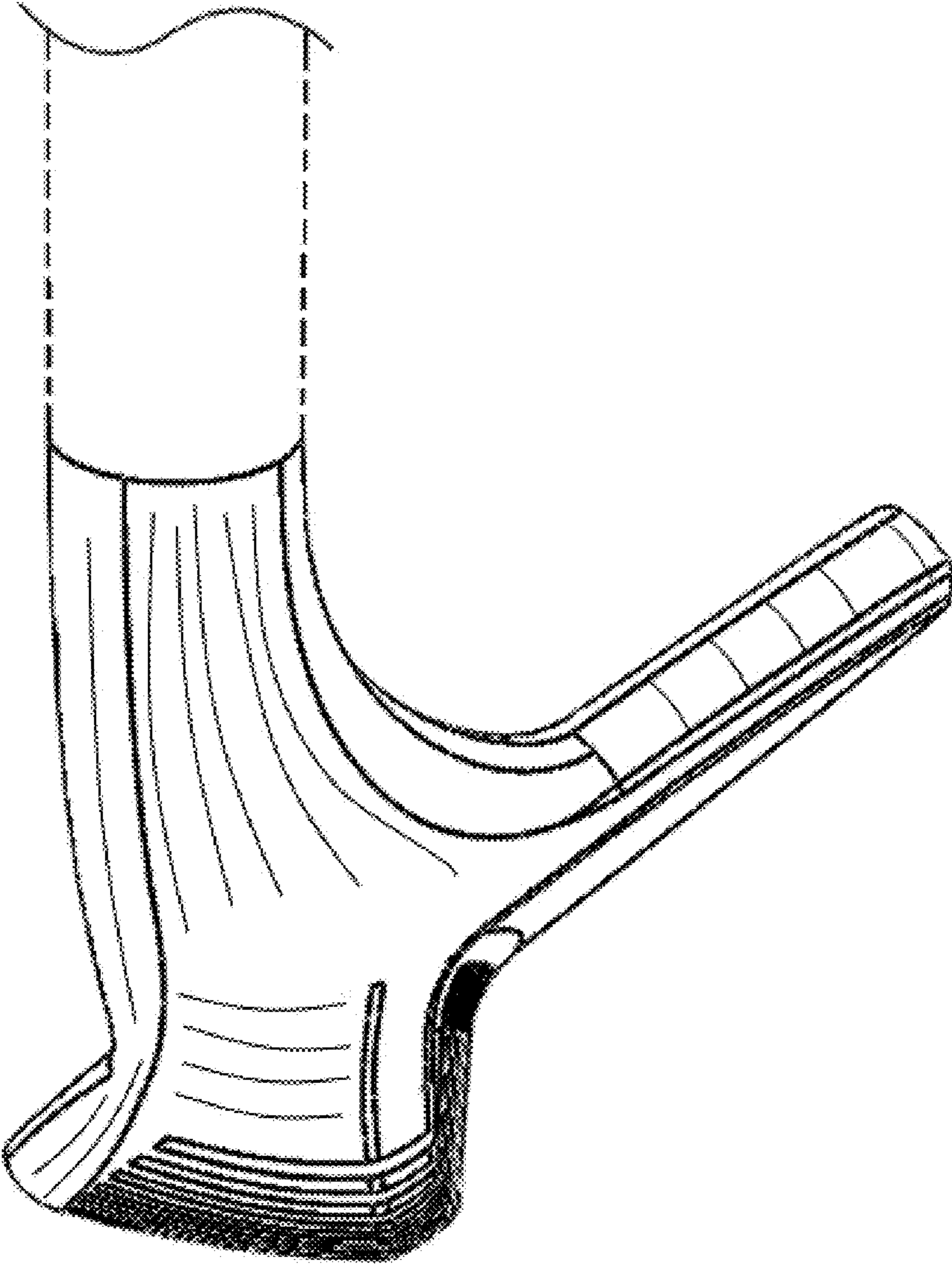


FIG. 4

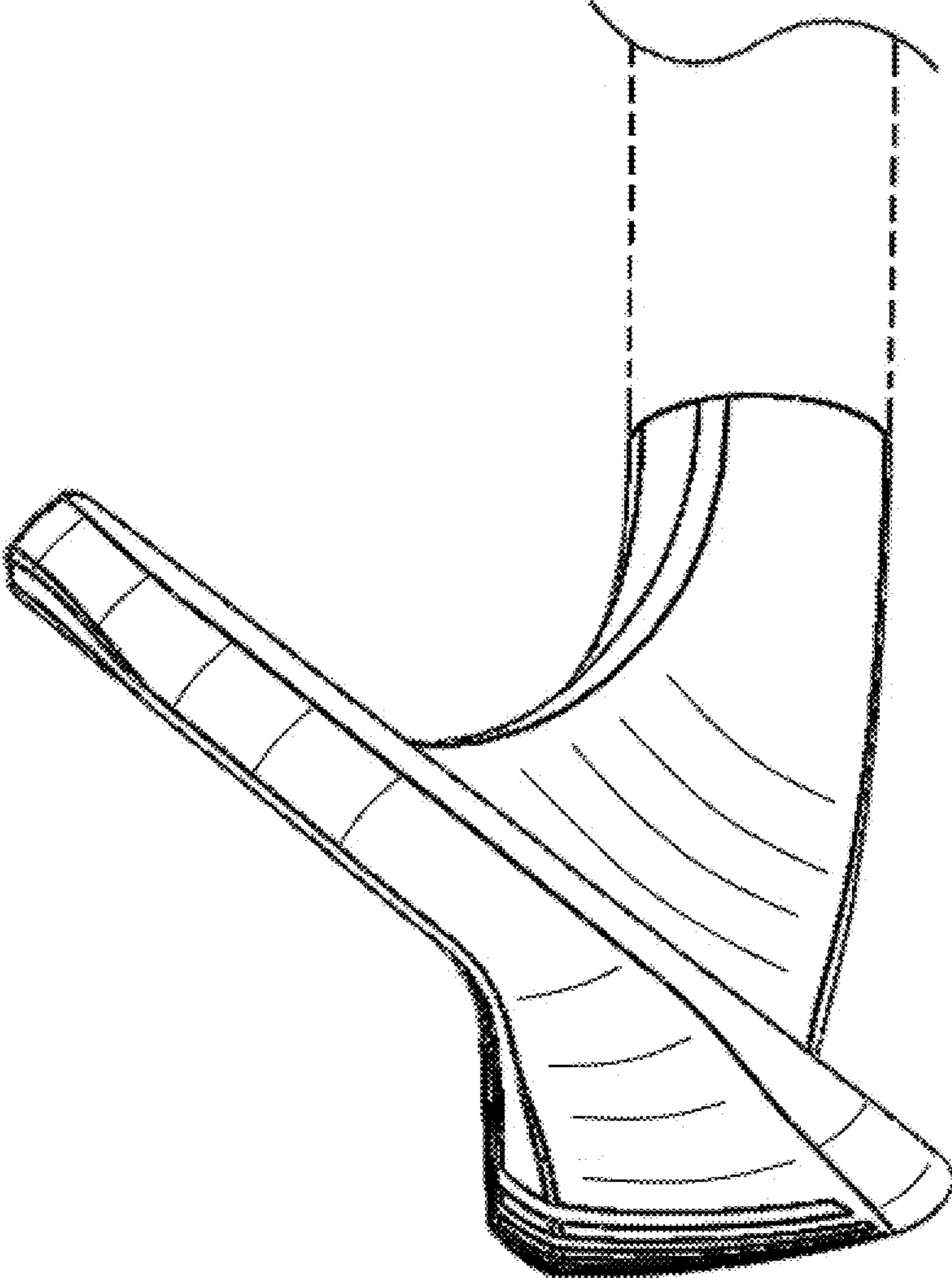


FIG. 5

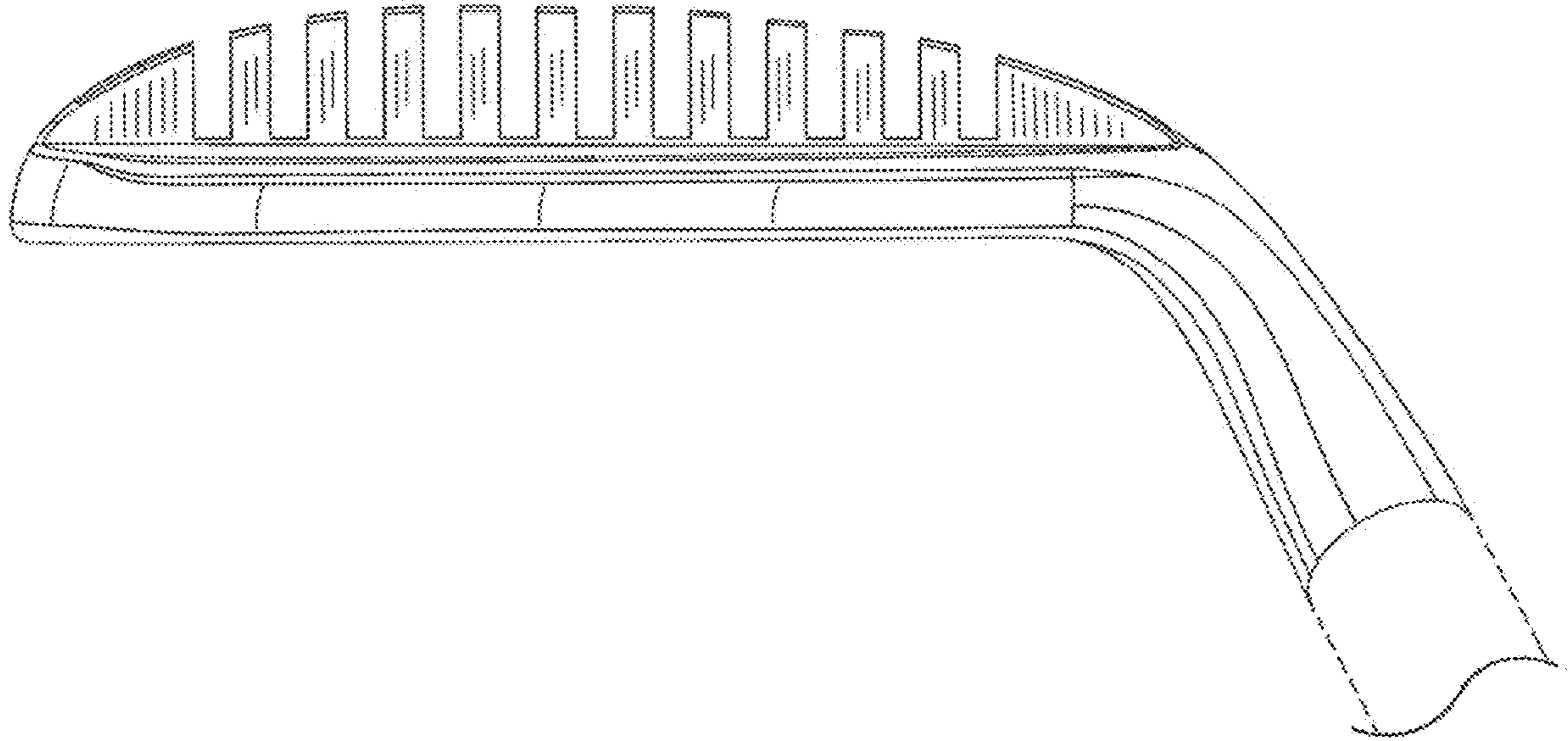


FIG. 6

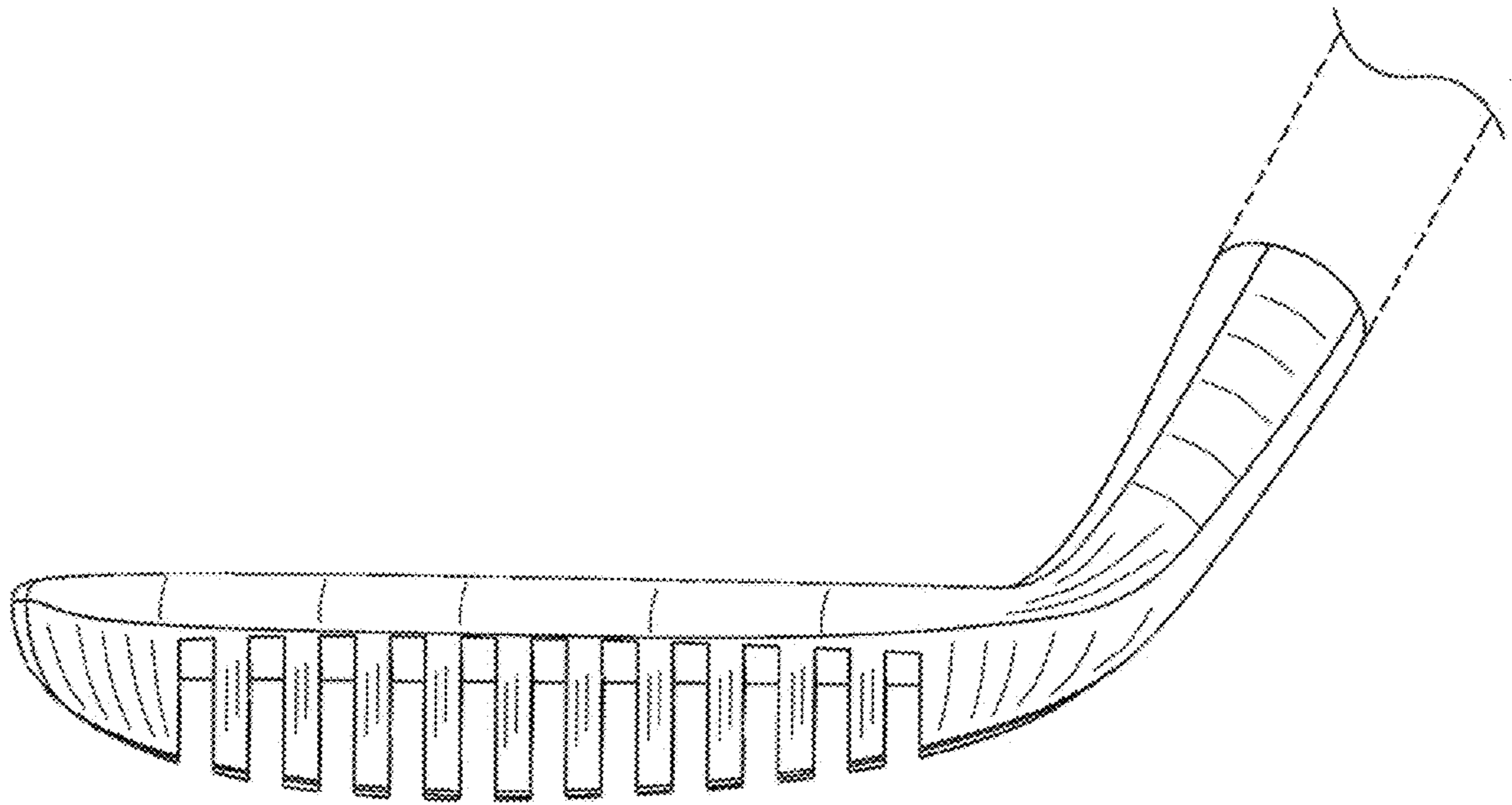


FIG. 7

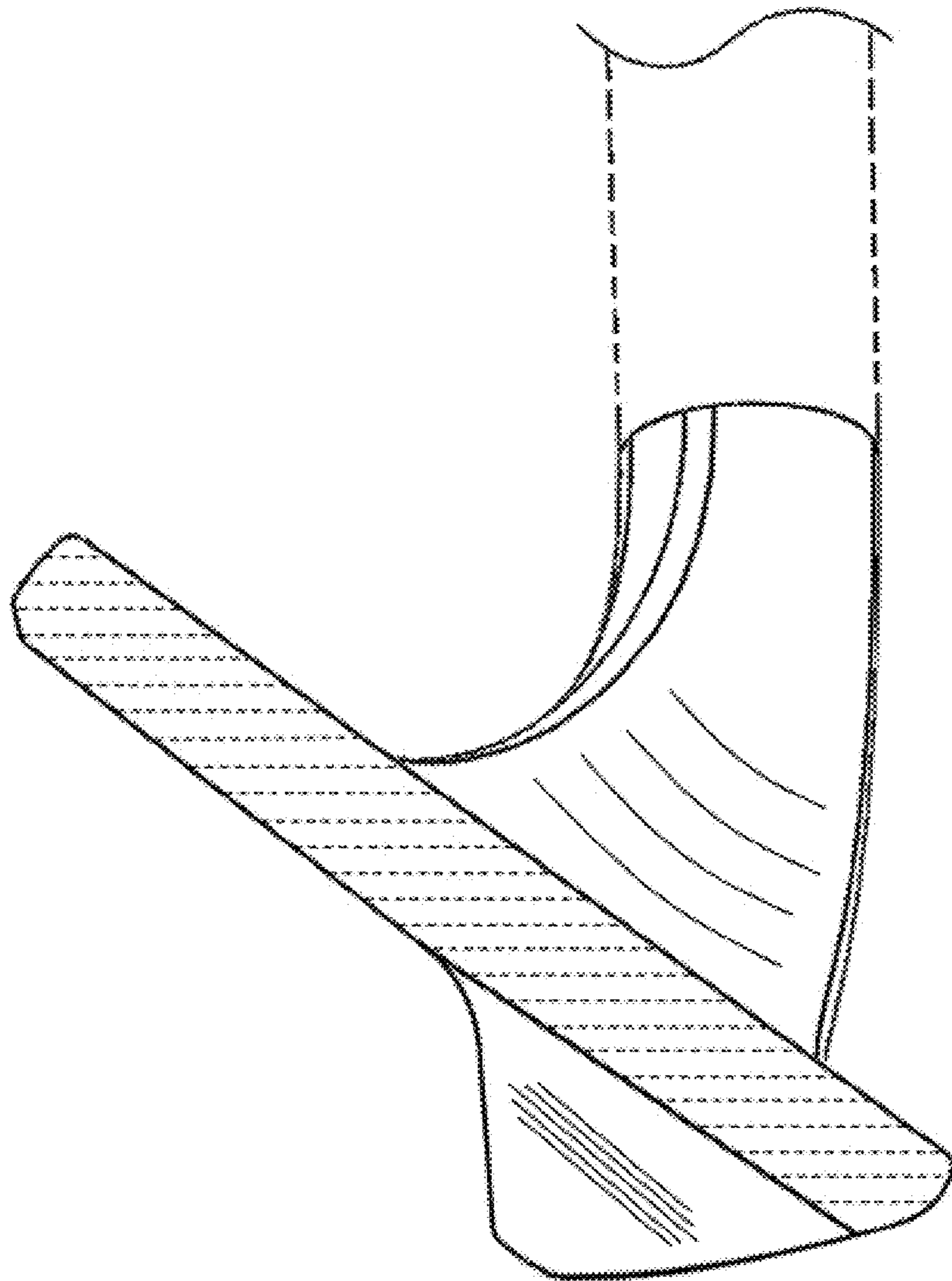


FIG. 8

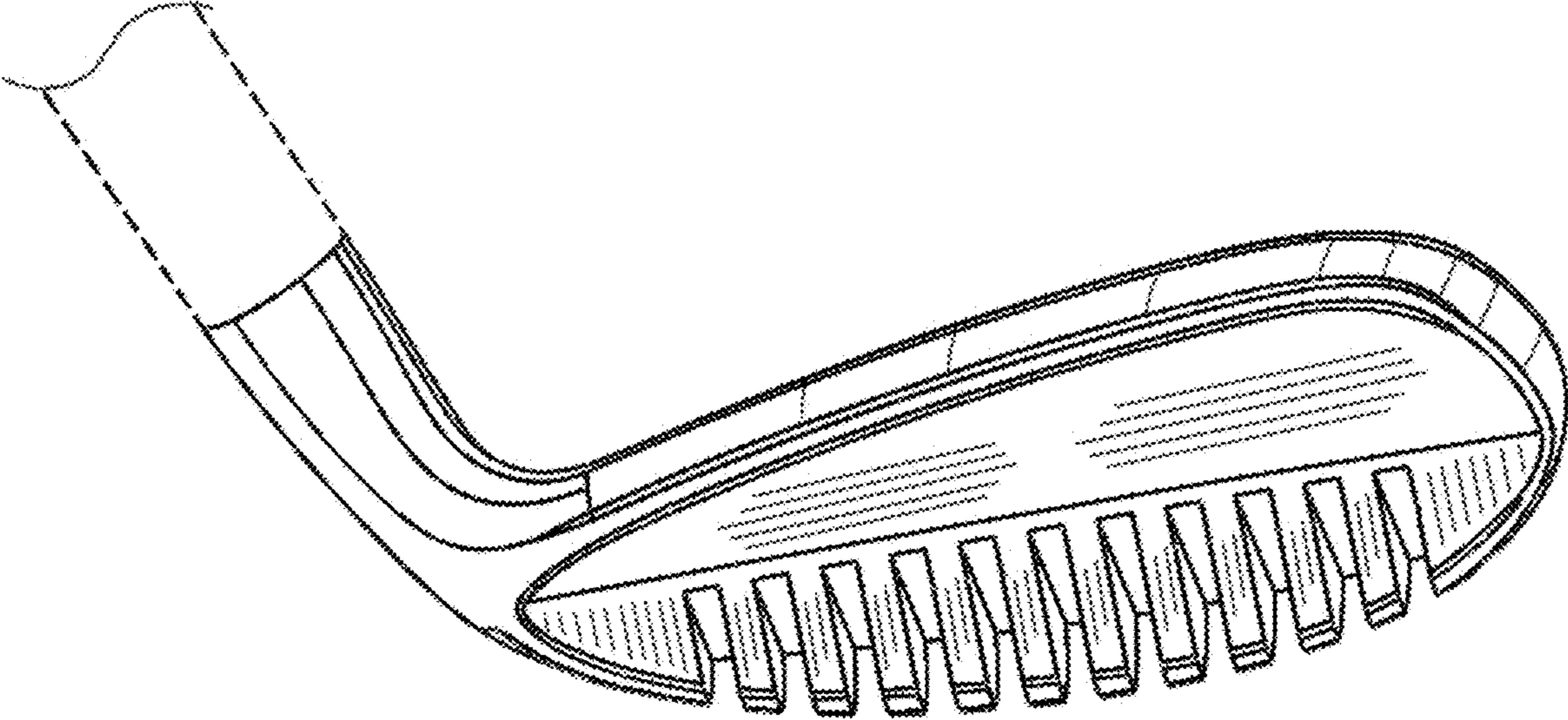


FIG. 9

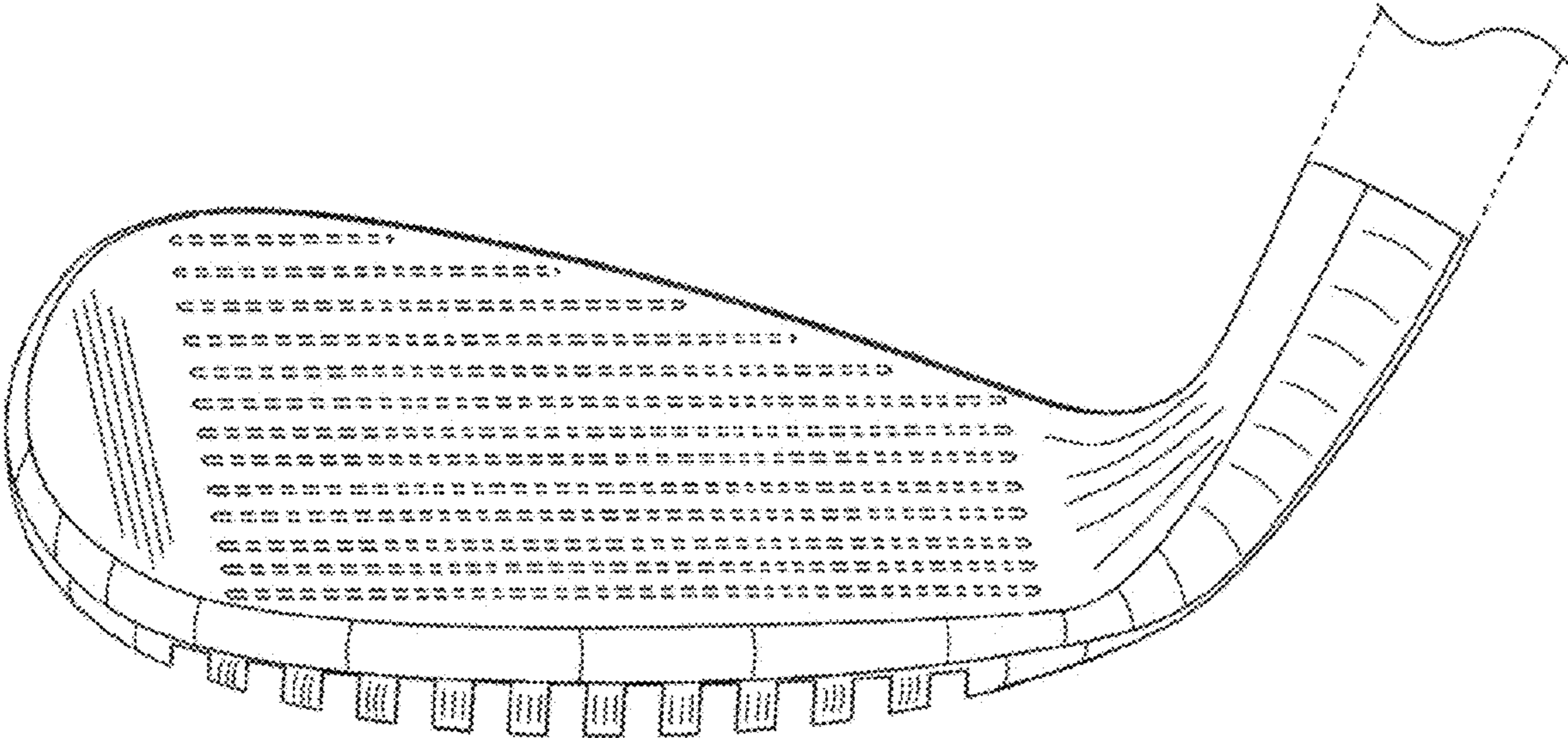


FIG. 10