



US00D957552S

(12) **United States Design Patent**  
**Schmidt**

(10) **Patent No.:** **US D957,552 S**

(45) **Date of Patent:** **\*\* Jul. 12, 2022**

(54) **EXERCISE STRAP**

(71) Applicant: **Ken Schmidt**, Los Angeles, CA (US)

(72) Inventor: **Ken Schmidt**, Los Angeles, CA (US)

(\*\*) Term: **15 Years**

(21) Appl. No.: **29/752,847**

(22) Filed: **Sep. 29, 2020**

(51) **LOC (13) Cl.** ..... **21-02**

(52) **U.S. Cl.**  
USPC ..... **D21/694**

(58) **Field of Classification Search**  
USPC ..... D21/662, 685, 683, 692, 694, 691;  
D24/192

See application file for complete search history.

(56) **References Cited**

**U.S. PATENT DOCUMENTS**

4,441,707	A *	4/1984	Bosch	.....	A63B 21/151
					482/131
4,540,173	A *	9/1985	Hopkins, Jr.	.....	A63B 21/0552
					482/124
4,685,671	A *	8/1987	Hagerman	.....	A63B 21/04
					482/124
5,129,647	A	7/1992	Castellanos		
5,303,716	A	4/1994	Mason		
D347,667	S *	6/1994	Giacalone	.....	D21/692
5,336,151	A *	8/1994	Van Ballegoie	.....	
					A63B 21/00185
					482/121
D390,896	S *	2/1998	Stalnaker	.....	D21/662
5,807,218	A *	9/1998	Nagatomo	.....	A61F 5/3715
					128/869

(Continued)

**FOREIGN PATENT DOCUMENTS**

AT	411 428	1/2004
KR	10-2009-0124898	12/2009
WO	2015169303	11/2015

**OTHER PUBLICATIONS**

Beach body store, announced Feb. 26, 2018[online], [site visited Nov. 9, 2021]. Available on internet, URL:https://www.amazon.com/Beachbody-Resistance-Loops-Day-Obsession/dp/B07B3PMK3H/ref (Year: 2018).\*

(Continued)

*Primary Examiner* — Khawaja Anwar

*Assistant Examiner* — Julice Seung Eun Oum

(74) *Attorney, Agent, or Firm* — Lambert Shortell & Connaughton; David J. Connaughton, Jr.; Justin P. Tinger

(57) **CLAIM**

The ornamental design for an exercise strap, as shown and described.

**DESCRIPTION**

FIG. 1 is a perspective front view of the exercise strap, which embodies my design;

FIG. 2 is a front view thereof;

FIG. 3 is a rear view thereof;

FIG. 4 is a left side view thereof;

FIG. 5 is a right side view thereof;

FIG. 6 is a top view thereof;

FIG. 7 is a bottom view thereof;

FIG. 8 is a perspective view of the claimed design shown in use thereof;

FIG. 9 is a perspective view shown with the handles inward thereof;

FIG. 10 is a front view of FIG. 9 thereof;

FIG. 11 is a rear view of FIG. 9 thereof;

FIG. 12 is a left side view of FIG. 9 thereof;

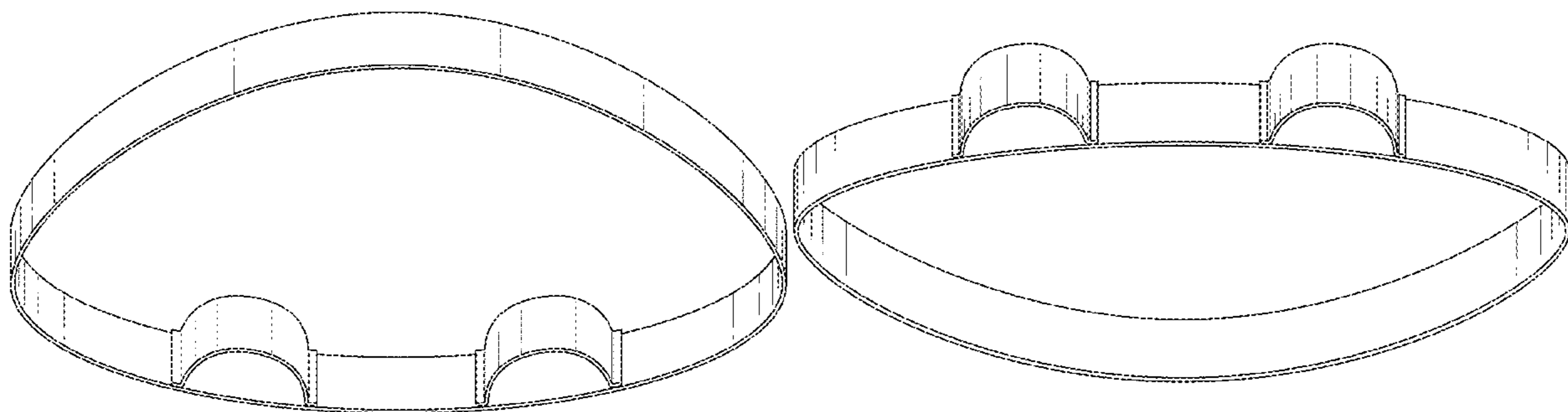
FIG. 13 is a right side view of FIG. 9 thereof;

FIG. 14 is a top view of FIG. 9 thereof; and,

FIG. 15 is a bottom view of FIG. 9 thereof.

The broken lines shown in the figures are solely to show environment, and form no part of the claimed design.

**1 Claim, 7 Drawing Sheets**



(56)

**References Cited**

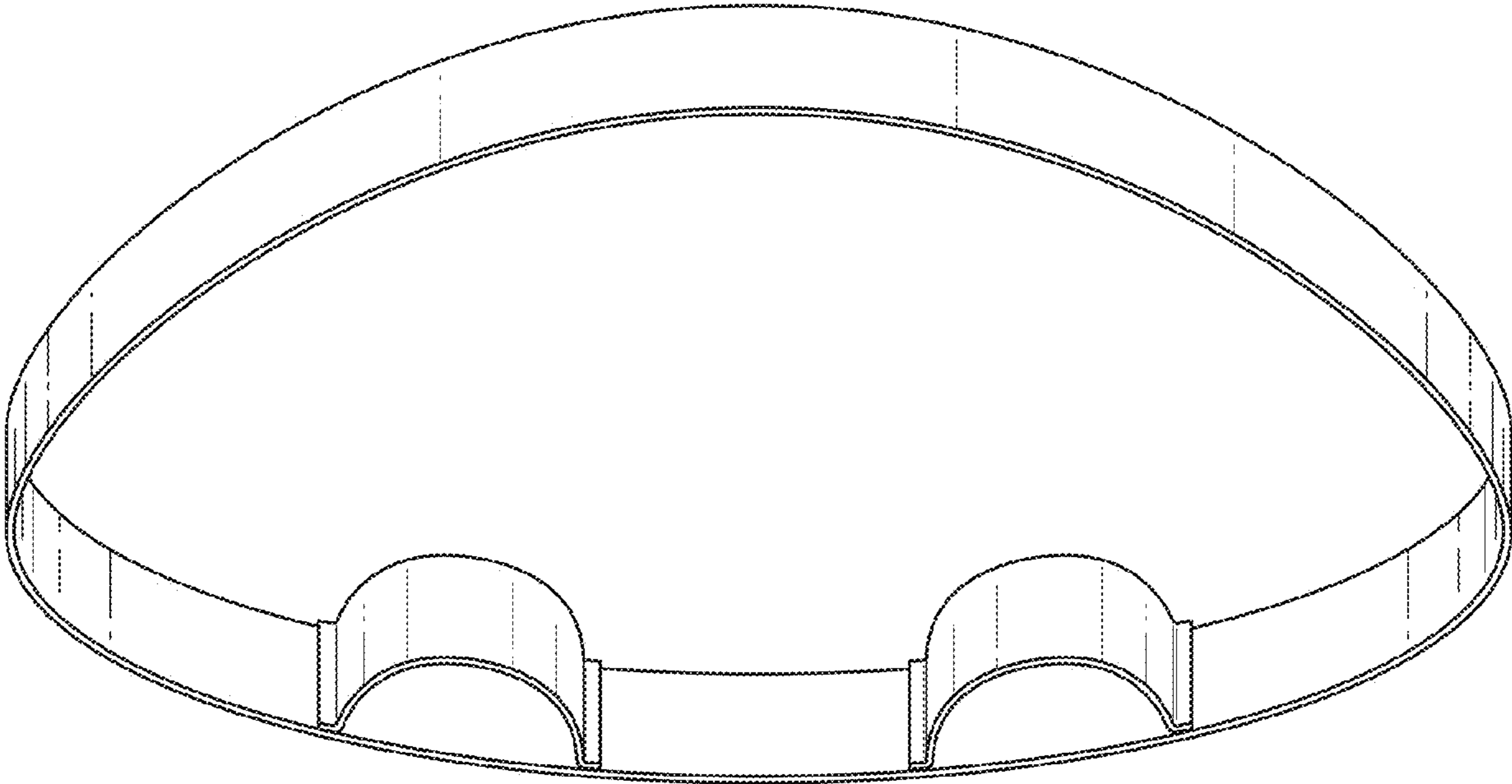
U.S. PATENT DOCUMENTS

D438,577	S *	3/2001	Phillips	.....	D21/662
6,361,517	B1	3/2002	Slinger		
D518,535	S *	4/2006	Haskell	.....	D21/662
7,931,571	B2 *	4/2011	Bernardoni	.....	A61F 5/0102
					482/124
D644,280	S *	8/2011	Marotta	.....	D21/662
8,282,536	B2	10/2012	Latronica		
9,017,235	B2	4/2015	Khademi		
9,079,062	B2	6/2015	Thomas		
D753,244	S *	4/2016	Hovey	.....	D21/662
9,610,471	B1	4/2017	Langlois		
9,656,115	B2	5/2017	Young		
D794,148	S *	8/2017	Barlow-Gamble	.....	D21/780
2005/0177927	A1	8/2005	Hettich		
2008/0125685	A1	5/2008	Bernardoni		
2013/0143723	A1	6/2013	Bender		
2017/0105864	A1	4/2017	Muccio		
2021/0322823	A1 *	10/2021	Schmidt	.....	A63B 23/0482

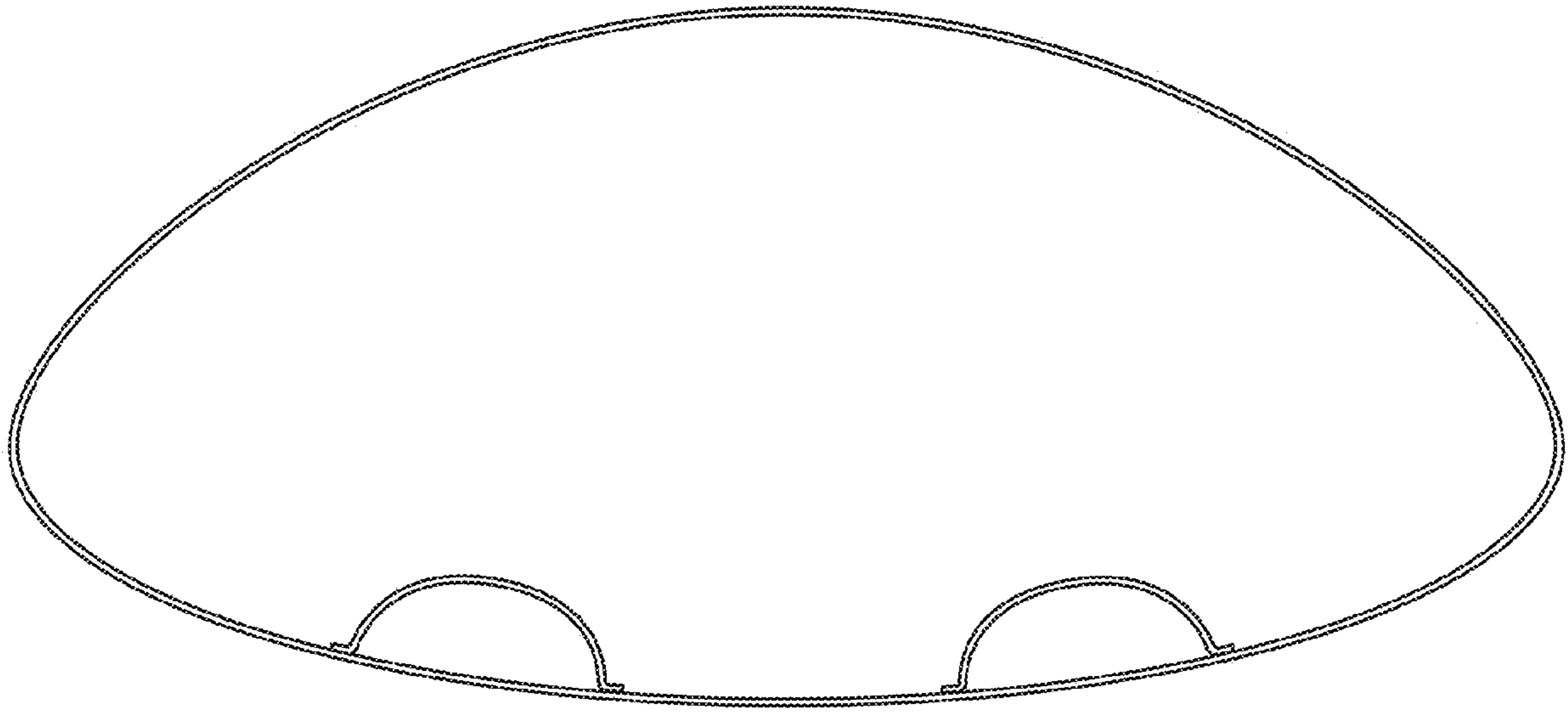
OTHER PUBLICATIONS

Trideer, announced Apr. 15, 2021 [online], [site visited Nov. 9, 2021]. Available on internet, URL:<https://www.amazon.com/Trideer-Stretching-Physical-Non-Elastic-Exercise/dp/B092MJ621Z/ref=Year:2021>.\*

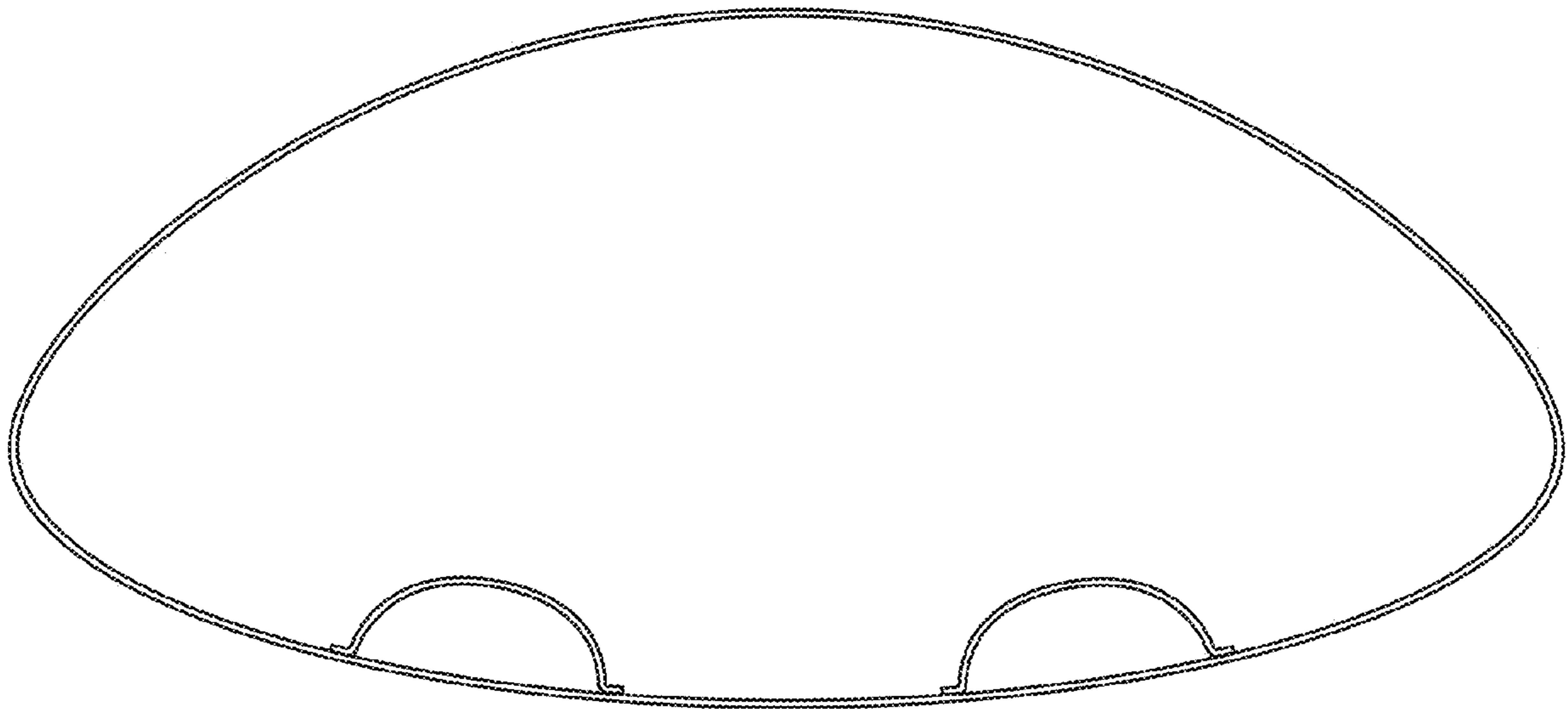
\* cited by examiner



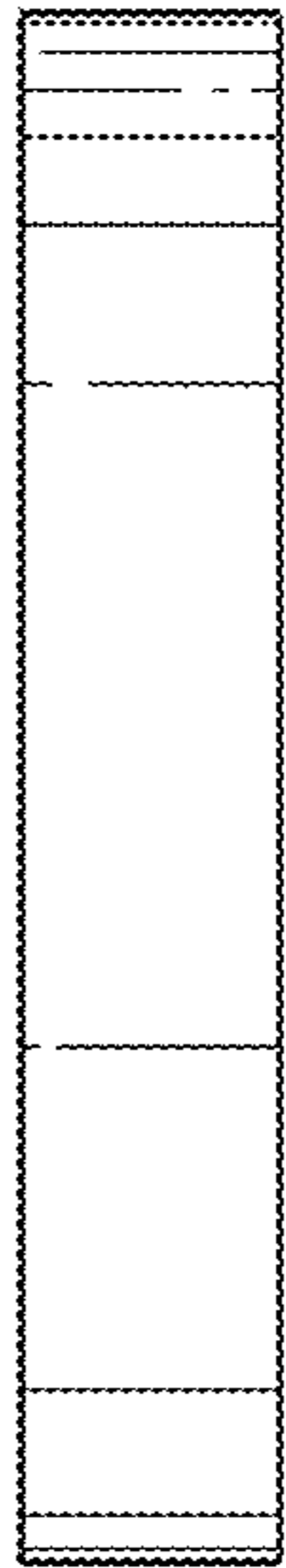
*Fig. 1*



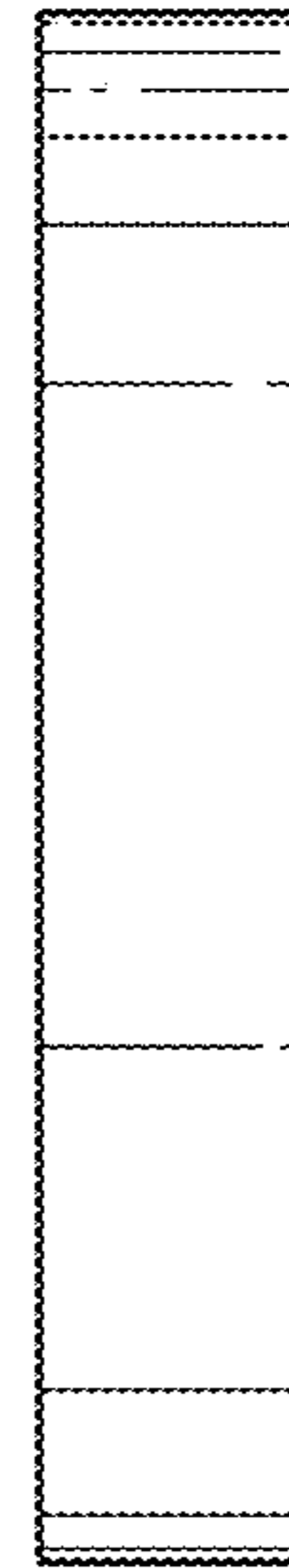
*Fig. 2*



*Fig. 3*



*Fig. 4*



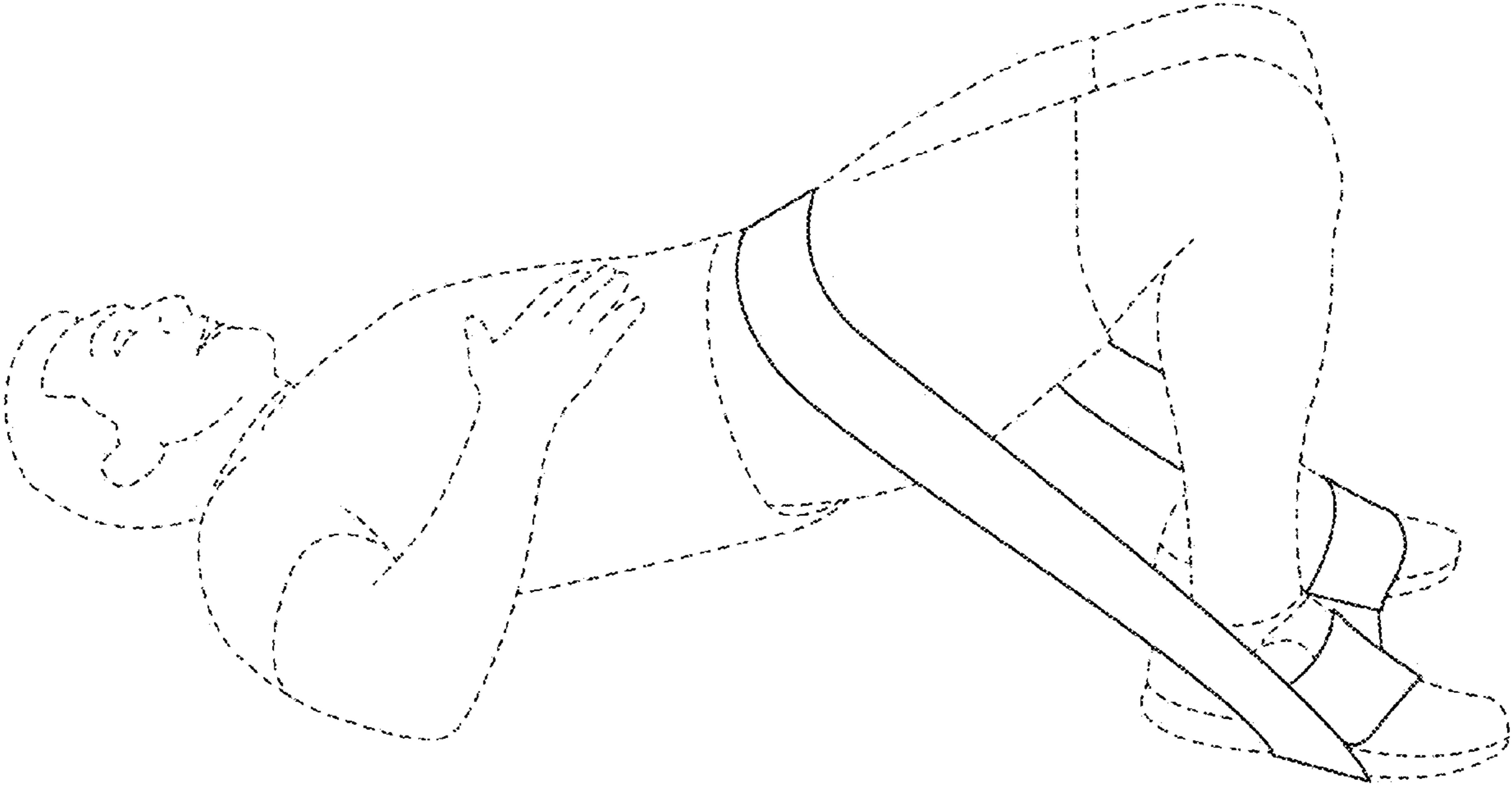
*Fig. 5*



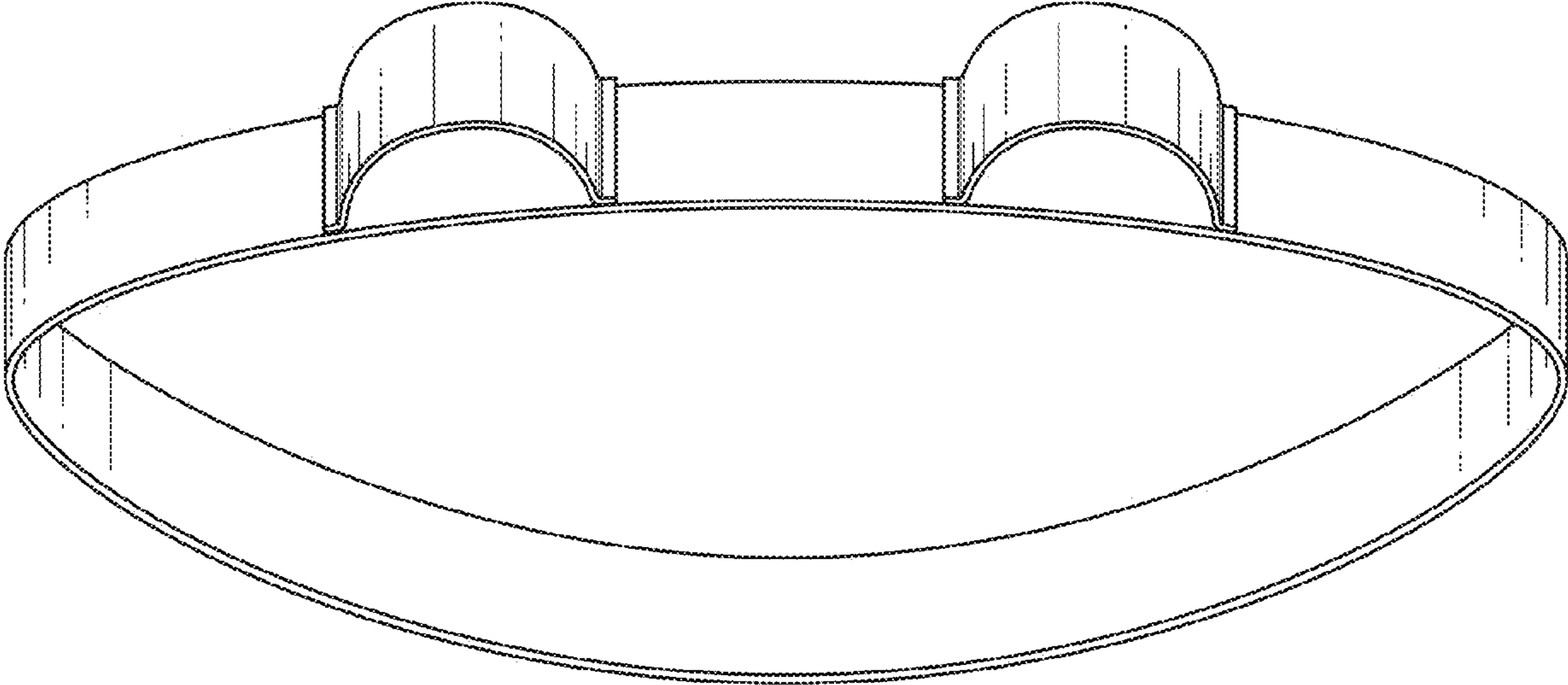
*Fig. 6*



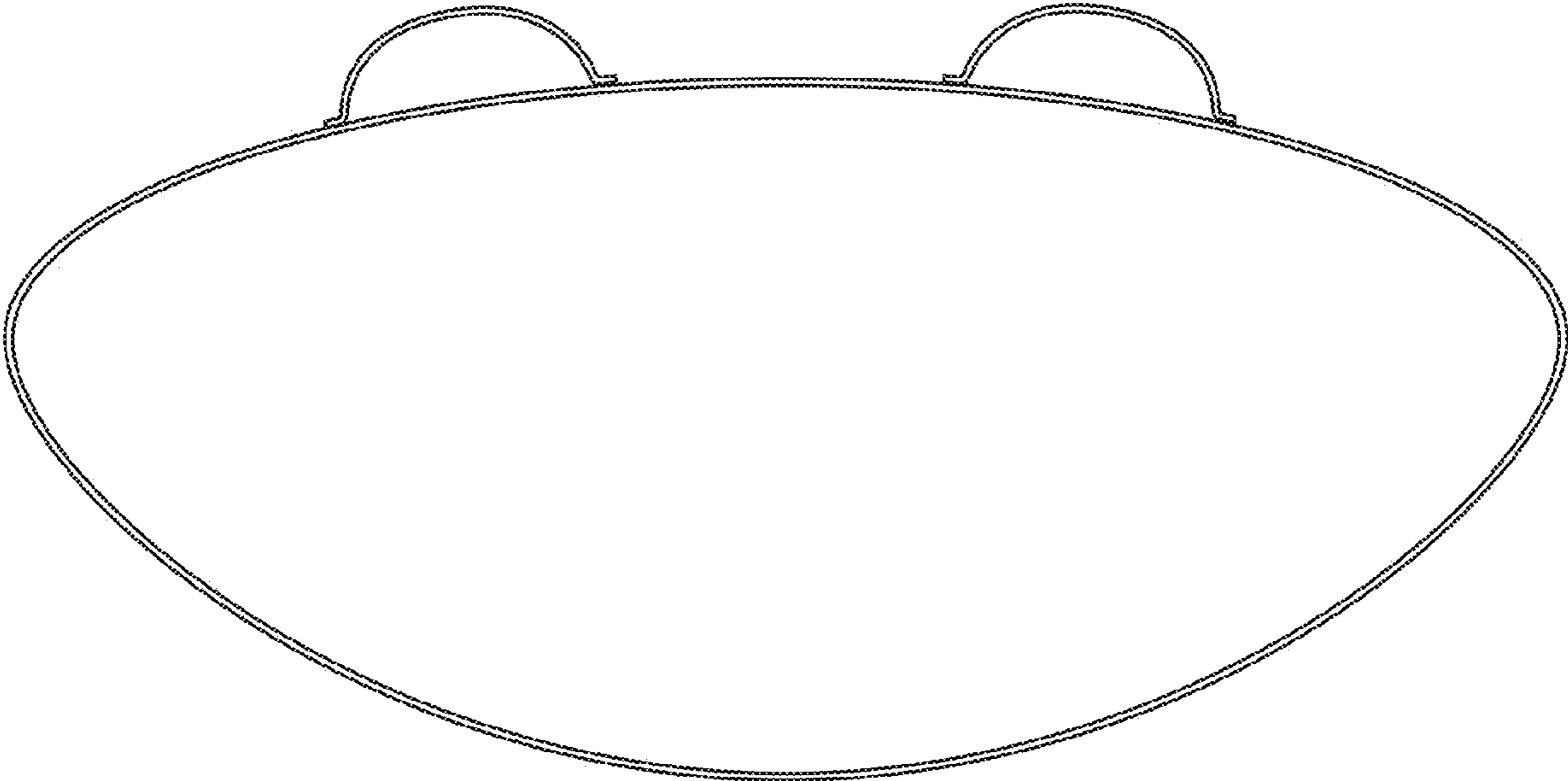
*Fig. 7*



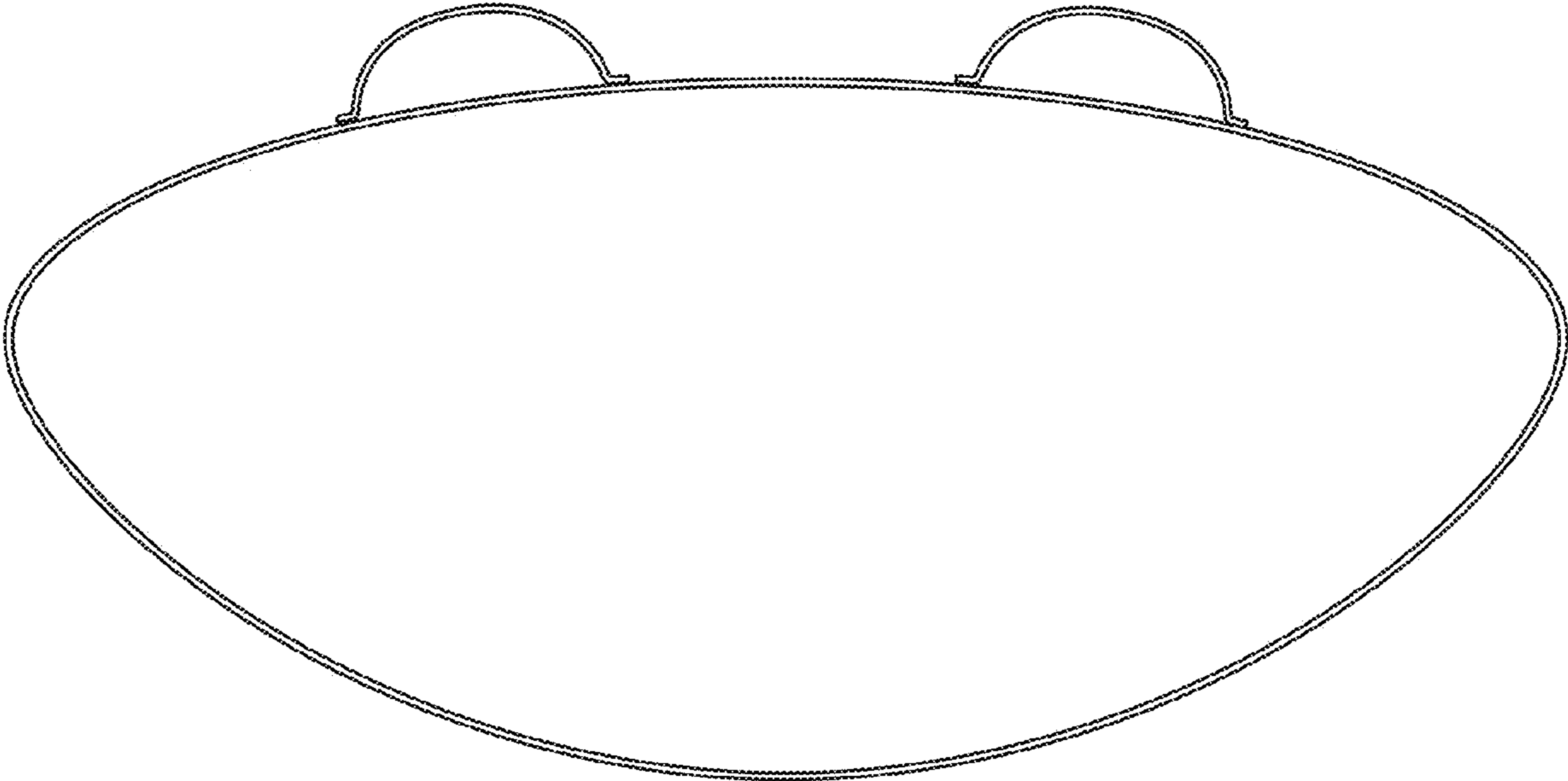
*Fig. 8*



*Fig. 9*



*Fig. 10*



*Fig. 11*



