



US00D957550S

(12) **United States Design Patent**
Shi

(10) **Patent No.:** **US D957,550 S**

(45) **Date of Patent:** **** Jul. 12, 2022**

(54) **YOGA RING**

(71) Applicant: **JIFENG TECHNOLOGY CO., LIMITED**, Hong Kong (CN)

(72) Inventor: **Jianfei Shi**, Yingkou (CN)

(73) Assignee: **JIFENG TECHNOLOGY CO., LIMITED**, Hong Kong (CN)

(**) Term: **15 Years**

(21) Appl. No.: **29/796,377**

(22) Filed: **Jun. 24, 2021**

(51) **LOC (13) Cl.** **21-02**

(52) **U.S. Cl.**
USPC **D21/680**

(58) **Field of Classification Search**
USPC D21/662, 679, 680, 681, 682, 684;
482/106, 109, 110, 139, 140
CPC A63B 21/0004; A63B 21/072; A63B
23/1281; A63B 19/00; A63B 21/0023;
A63B 21/4043; A63B 21/4035; A63B
43/02
See application file for complete search history.

(56) **References Cited**

U.S. PATENT DOCUMENTS

- 6,196,951 B1 * 3/2001 Shepherd A63B 23/1263
482/106
- D464,095 S * 10/2002 Yu D21/684
- 7,604,581 B1 * 10/2009 Williams A63B 21/0004
482/140
- D658,729 S * 5/2012 McLoughney D21/684
- D712,987 S * 9/2014 Salzedo D21/662

- D760,964 S * 7/2016 Toolan D1/120
- D811,018 S * 2/2018 Toolan D11/86
- D812,234 S * 3/2018 Miller D24/188
- D841,903 S * 2/2019 Toolan D11/86
- D847,918 S * 5/2019 Reisinger D21/682
- D858,660 S * 9/2019 Connors, Jr. D21/682
- D889,570 S * 7/2020 Petek D21/681
- D899,533 S * 10/2020 Chiu D21/680
- D905,803 S * 12/2020 Kim D21/680
- 2006/0199709 A1 * 9/2006 Shepherd A63B 21/072
482/109
- 2009/0280967 A1 * 11/2009 Salzwimmer A63B 21/0608
482/110
- 2010/0075819 A1 * 3/2010 Maki A63B 23/12
482/139
- 2013/0331233 A1 * 12/2013 Wilson A63B 21/4035
482/46

* cited by examiner

Primary Examiner — Ryan Harvey

(57) **CLAIM**

The ornamental design for a yoga ring, as shown and described.

DESCRIPTION

FIG. 1 is a perspective view of a yoga ring showing my new design;
 FIG. 2 is another perspective view thereof;
 FIG. 3 is a front elevational view thereof;
 FIG. 4 is a rear elevational view thereof;
 FIG. 5 is a left side elevational view thereof;
 FIG. 6 is a right side elevational view thereof;
 FIG. 7 is a top plan view thereof;
 FIG. 8 is a bottom plan view thereof; and,
 FIG. 9 is an enlarged view of portion 9 shown in FIG. 1.

1 Claim, 9 Drawing Sheets

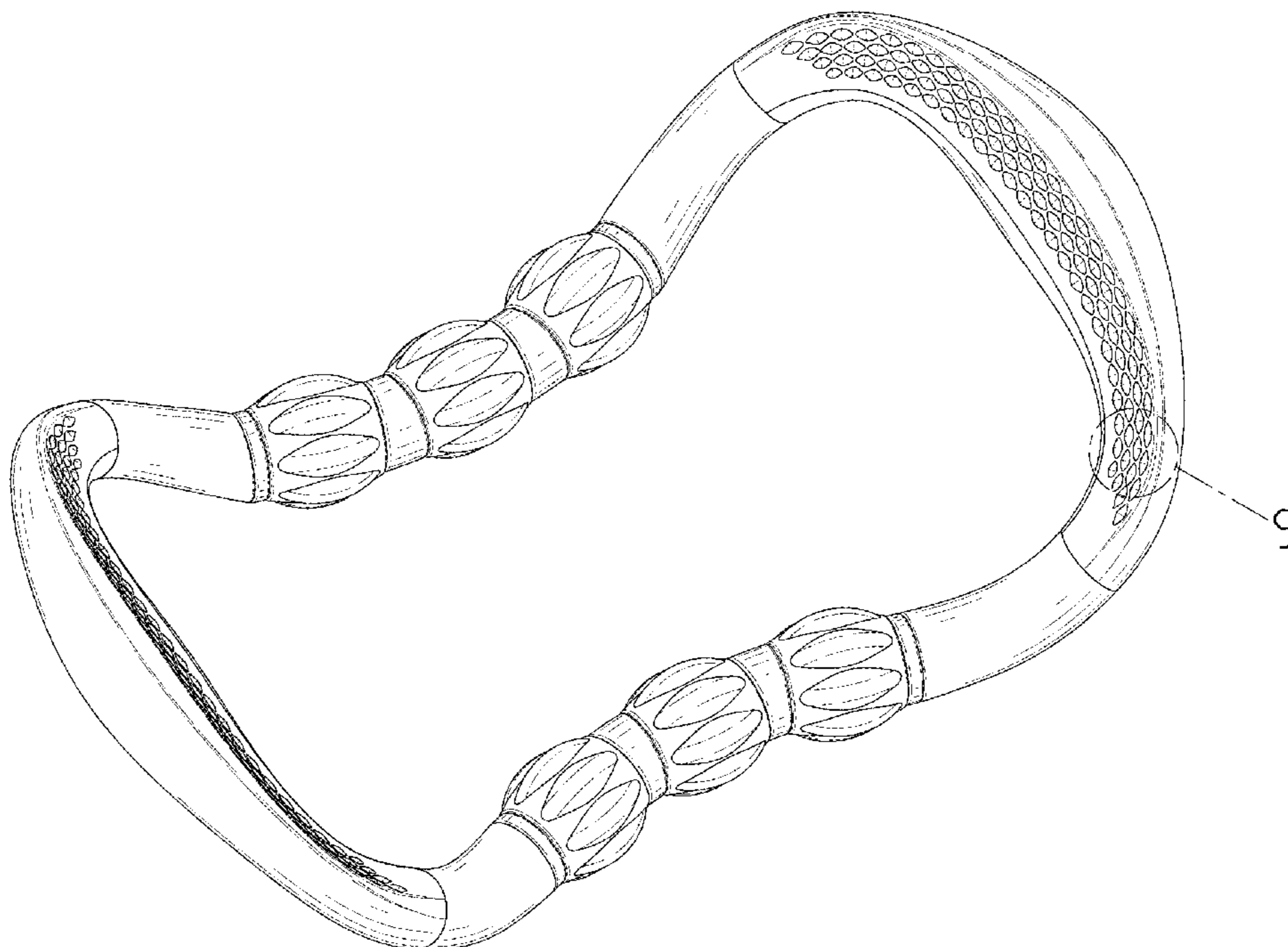




FIG. 1

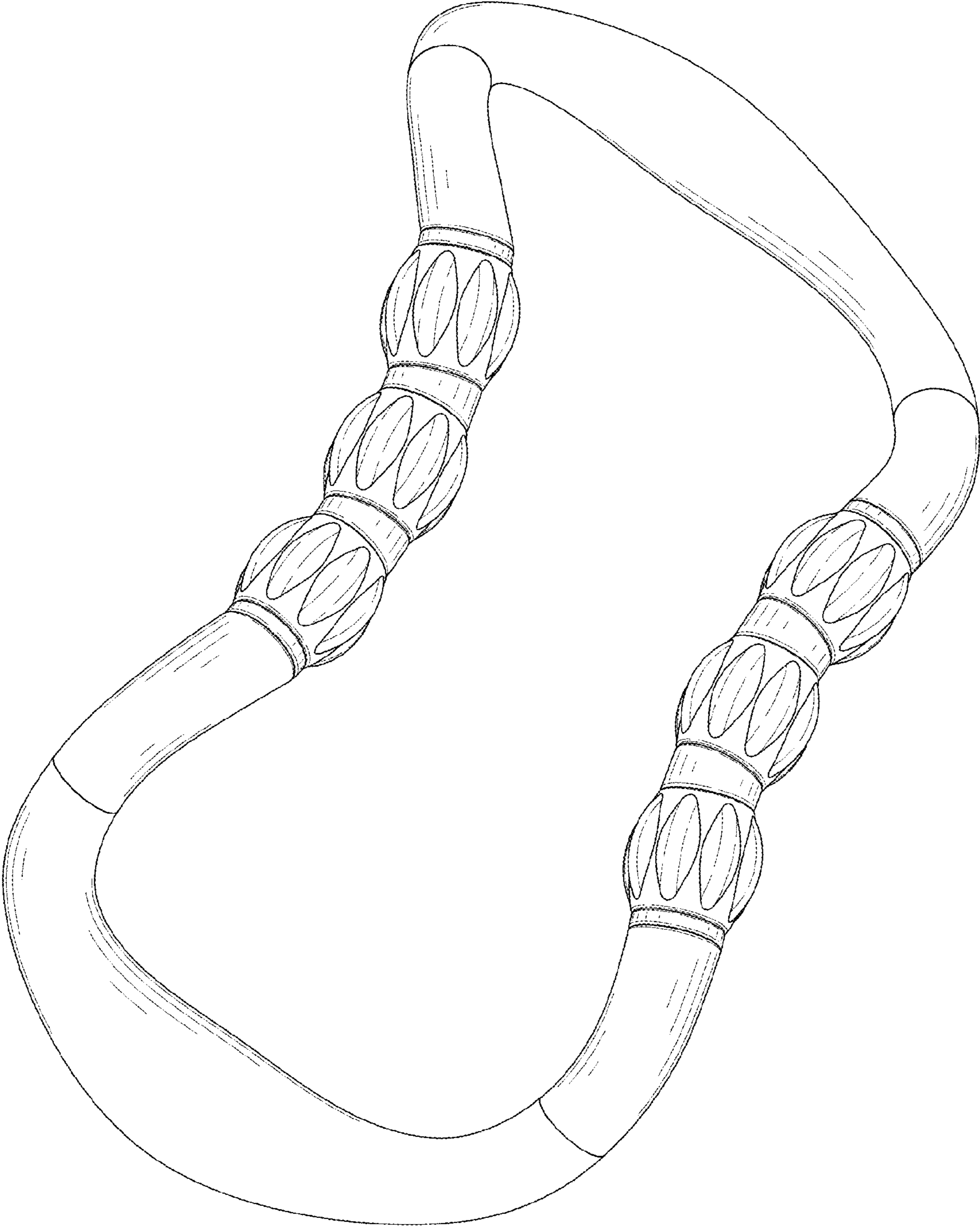


FIG. 2

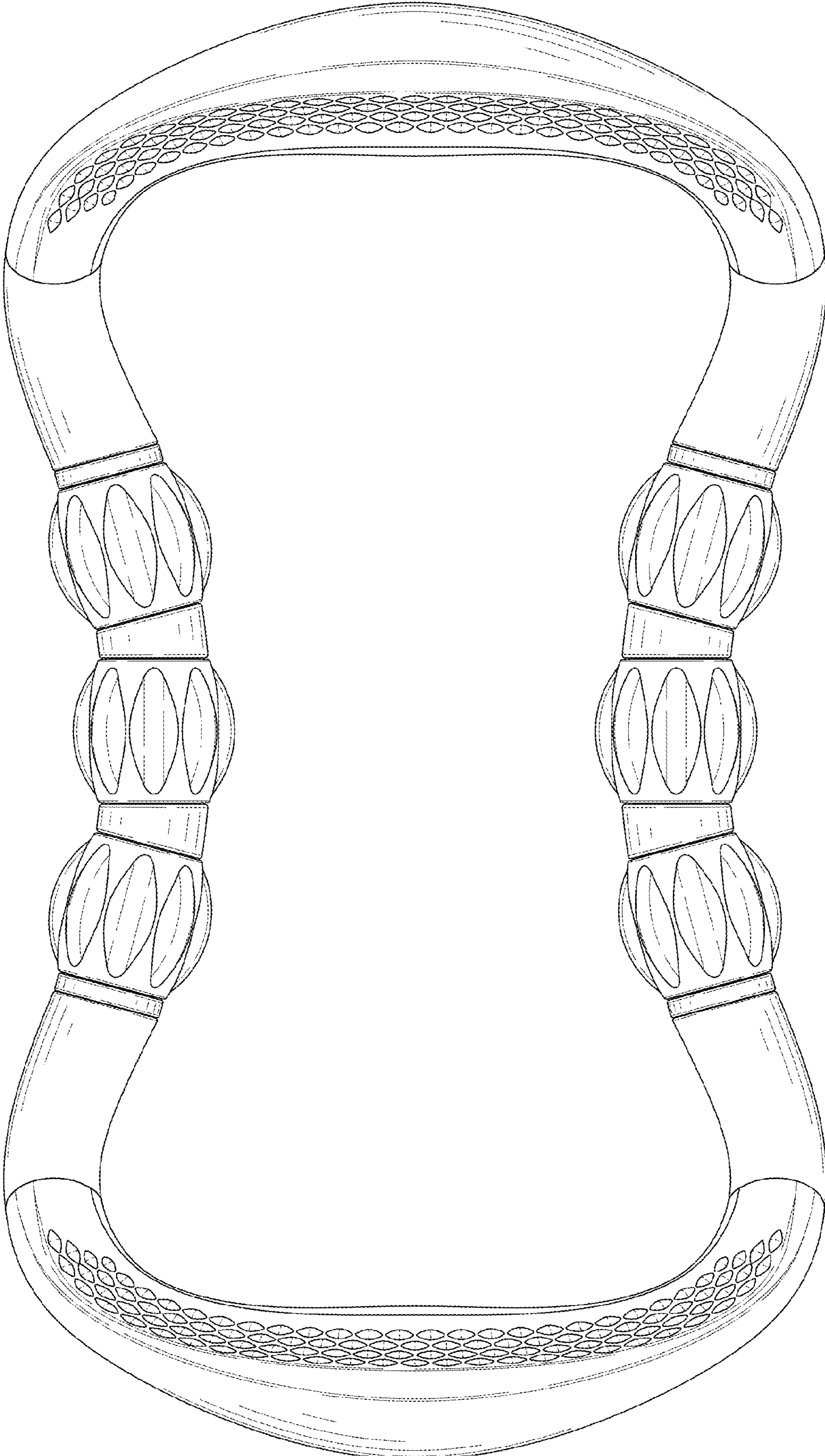


FIG. 3

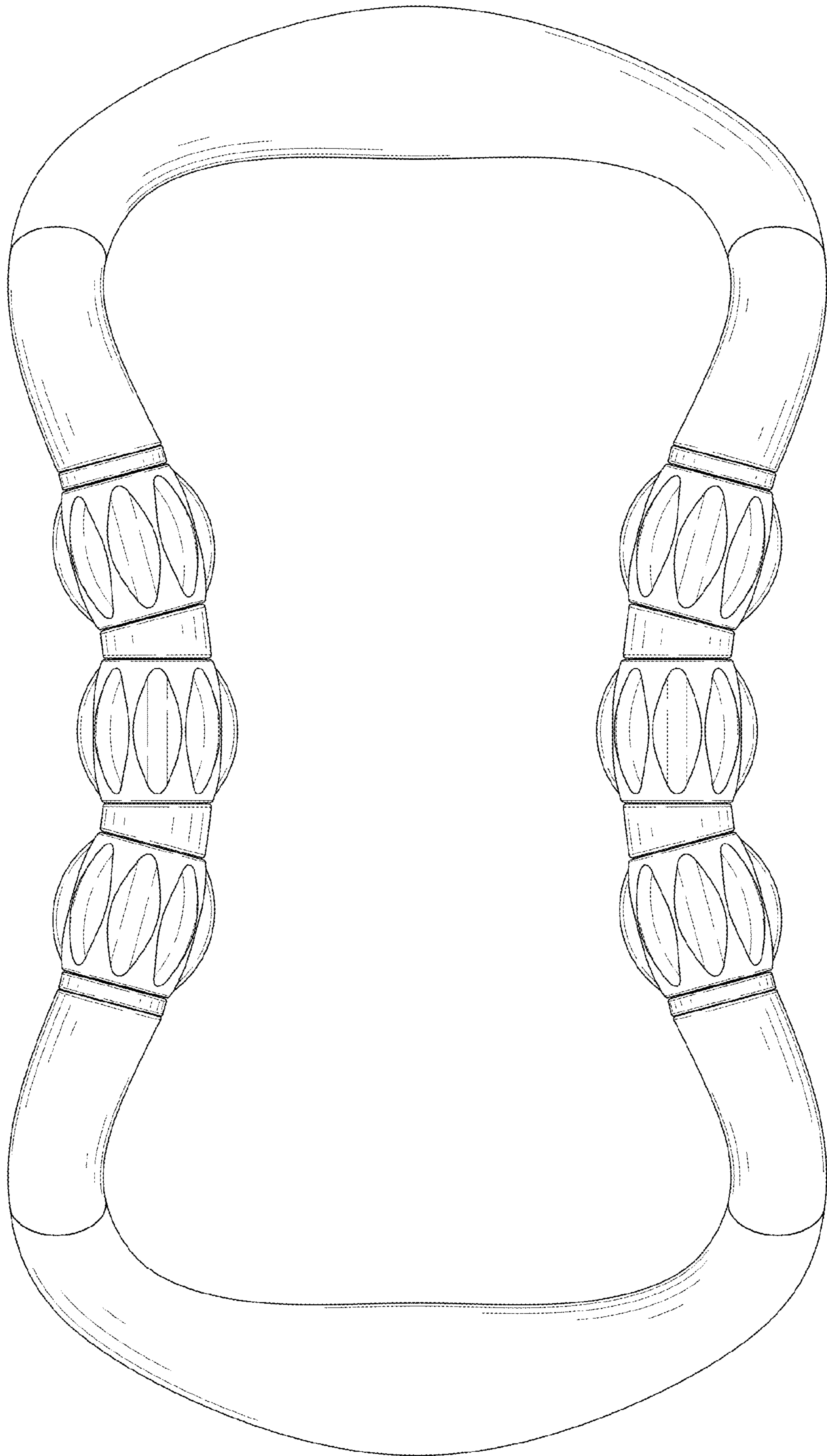


FIG. 4

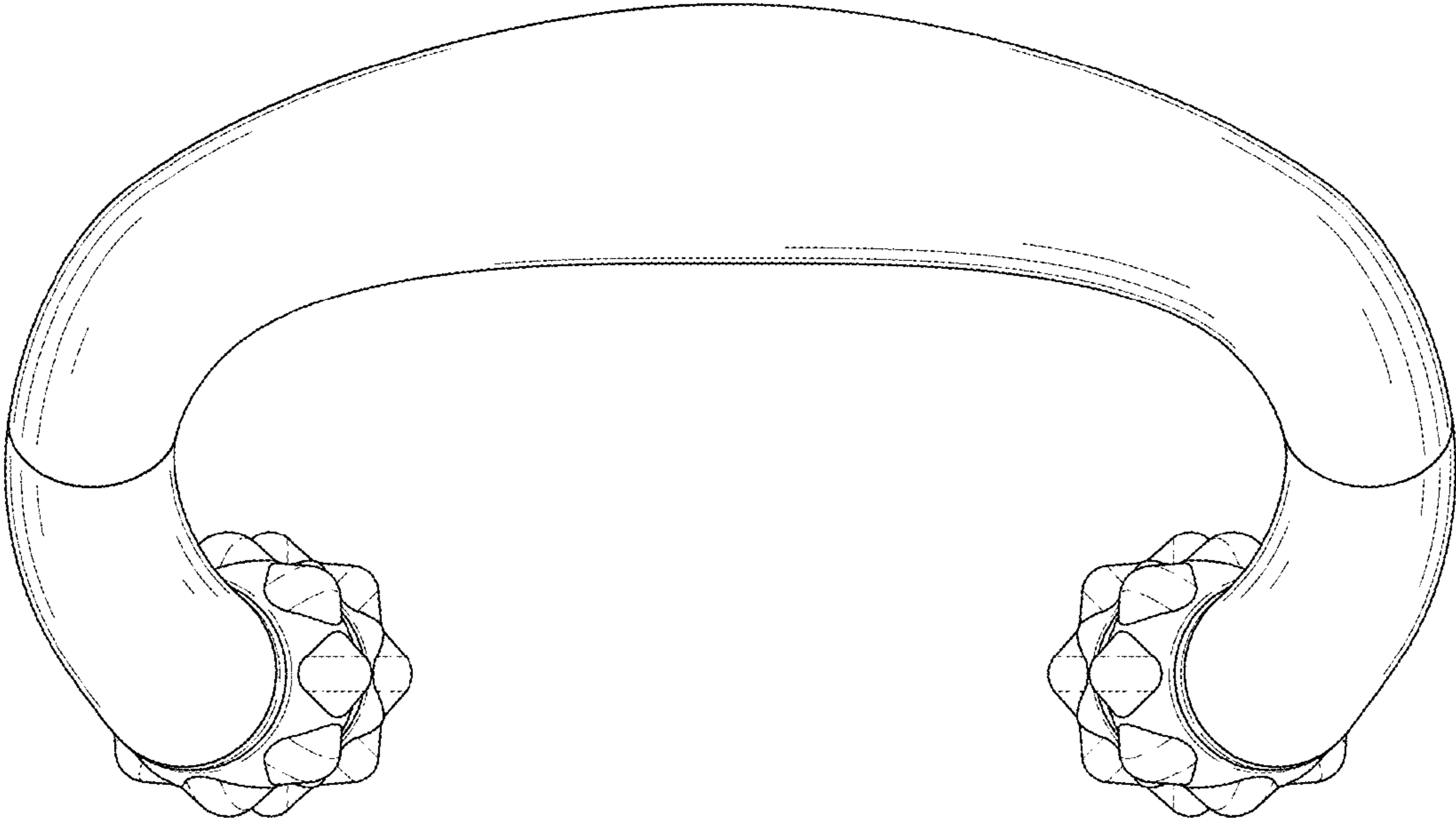


FIG. 5

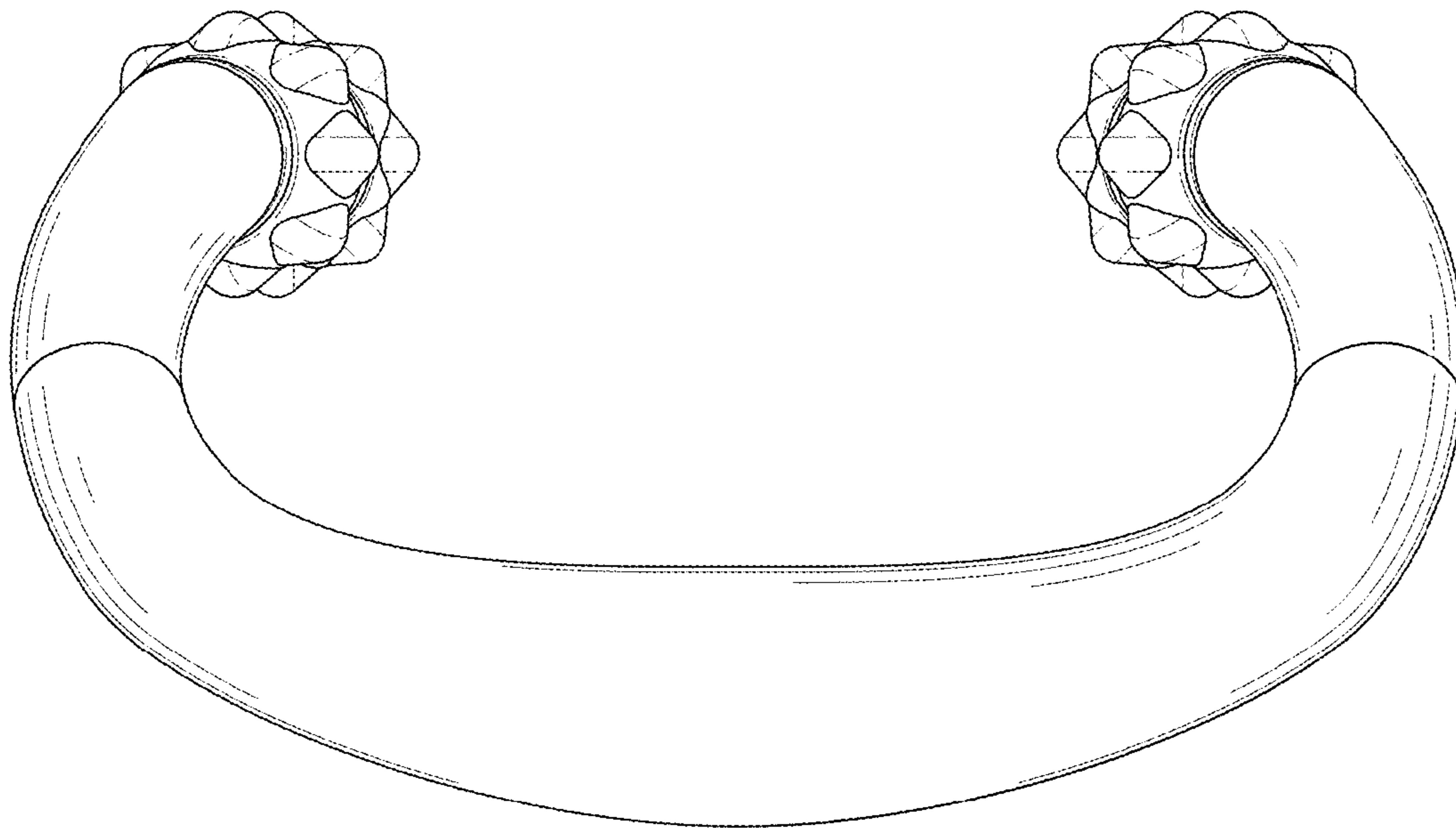


FIG. 6

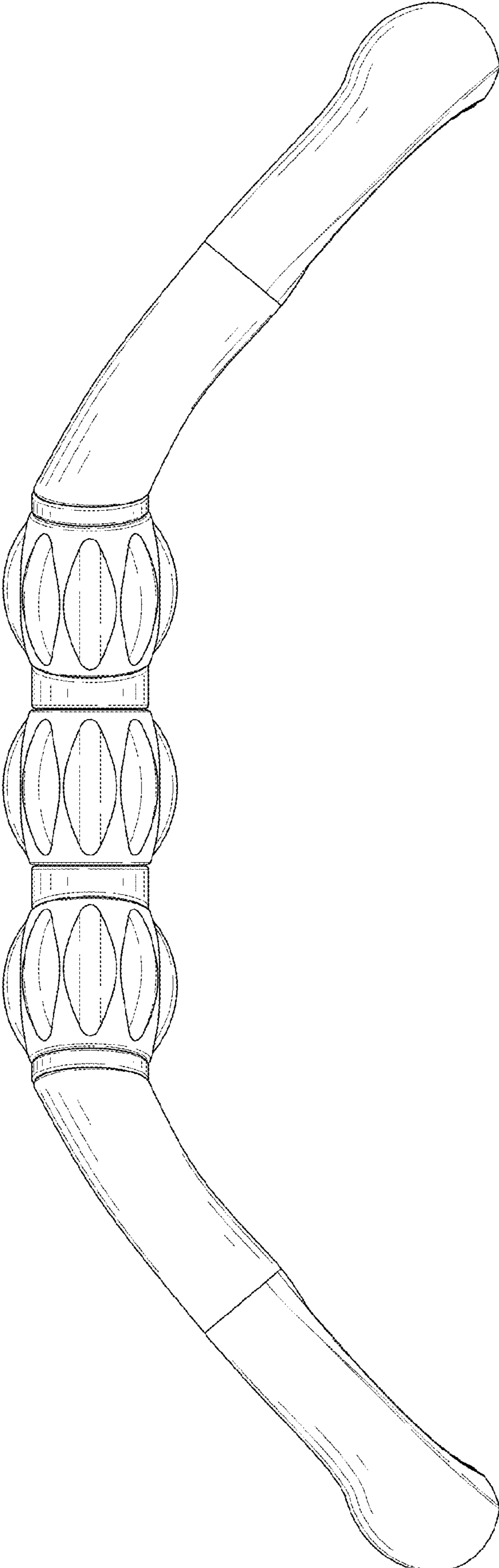


FIG. 7

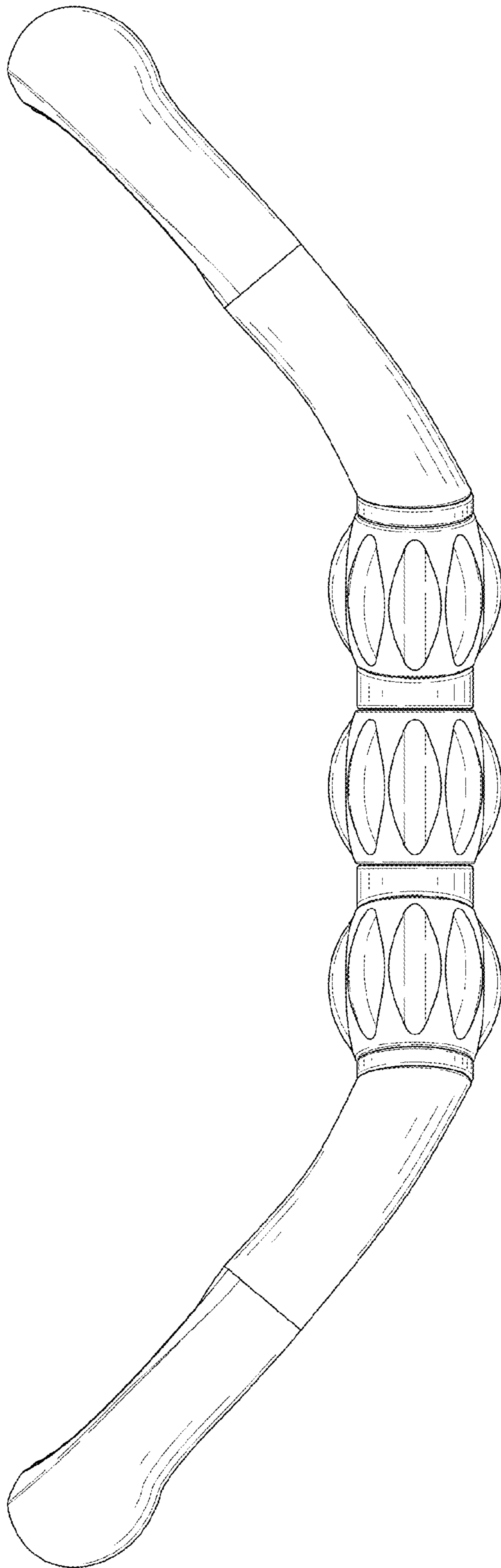


FIG. 8

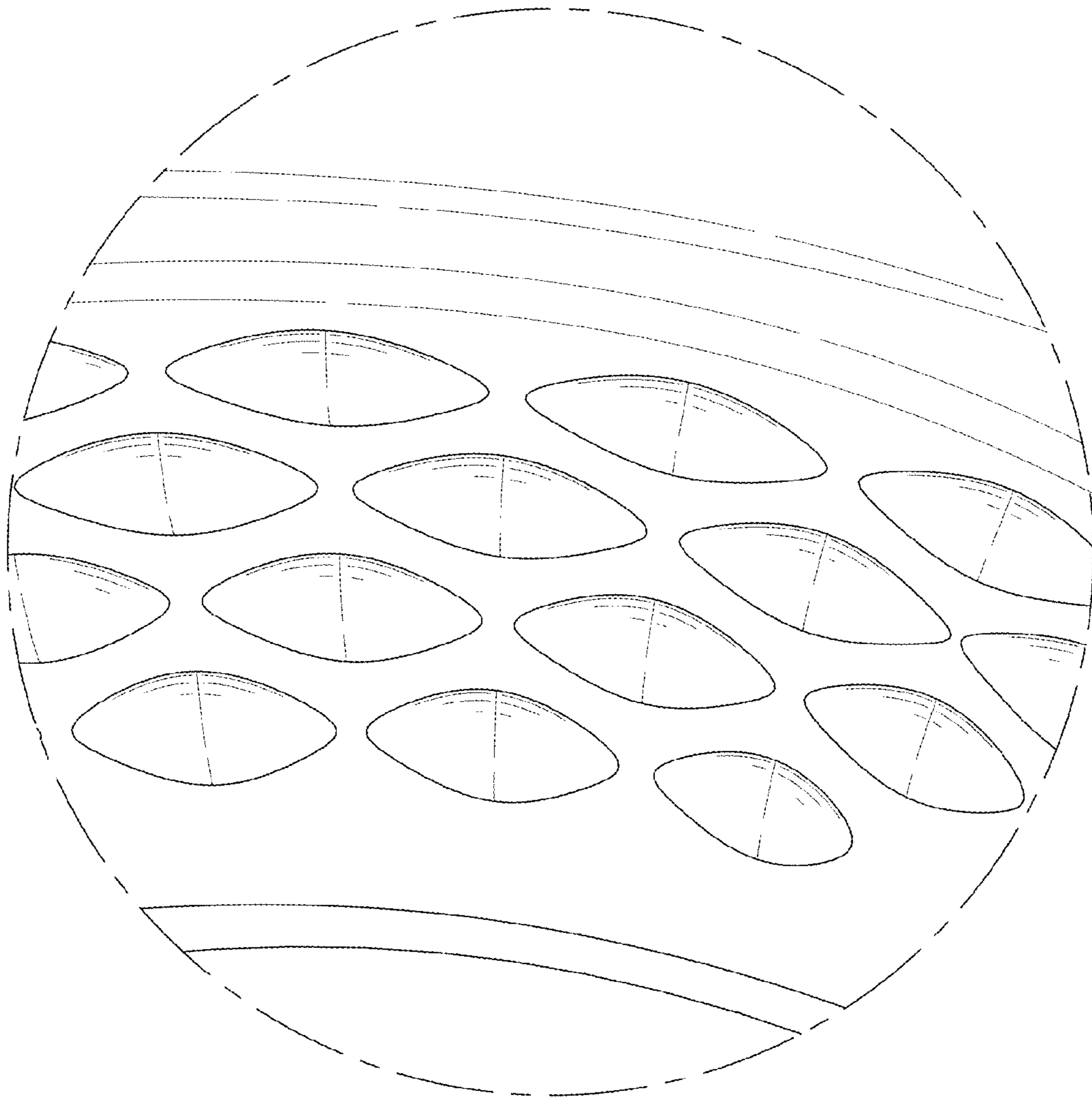


FIG. 9