



US00D957547S

(12) **United States Design Patent**  
**Xie**

(10) **Patent No.:** **US D957,547 S**  
(45) **Date of Patent:** **\*\* Jul. 12, 2022**

(54) **TOY**

(71) Applicant: **SHANTOU CHENGQILONG TRADING CO., LTD.**, Shantou (CN)

(72) Inventor: **Ruibo Xie**, Shantou (CN)

(73) Assignee: **SHANTOU CHENGQILONG TRADING CO., LTD.**, Shantou (CN)

(\*\*) Term: **15 Years**

(21) Appl. No.: **29/803,495**

(22) Filed: **Aug. 13, 2021**

(30) **Foreign Application Priority Data**

Apr. 16, 2021 (CN) ..... 202130216237.4

(51) **LOC (13) Cl.** ..... **21-02**

(52) **U.S. Cl.**  
USPC ..... **D21/615; D21/578**

(58) **Field of Classification Search**  
USPC ..... D21/578, 587, 591-593, 596, 615,  
D21/621-625, 630, 631, 639, 658-661  
See application file for complete search history.

(56) **References Cited**

**U.S. PATENT DOCUMENTS**

D479,862 S *	9/2003	Takahashi	.....	D21/615
D481,081 S *	10/2003	Okutsu	.....	D21/615
D633,960 S	3/2011	Choy	.....	
D747,777 S *	1/2016	Greenly	.....	D21/615
D762,271 S *	7/2016	Chow	.....	D21/615
D785,099 S *	4/2017	Morales	.....	D21/615
D854,631 S *	7/2019	Liu	.....	D21/615
D855,710 S *	8/2019	Buonocore	.....	D21/615
D867,481 S *	11/2019	Ikoma	.....	D21/615
D870,214 S *	12/2019	Ikoma	.....	D21/615

(Continued)

**OTHER PUBLICATIONS**

“Self-loading Spinosaurus Triceratops” Sep. 2, 2021, site visited Mar. 21, 2022, Amazon.com: <https://www.hdtoy.com/CN/Product/showproductdetail.aspx?id=1596811> (Year: 2021).\*

*Primary Examiner* — Michael C Stout  
*Assistant Examiner* — Melvin L Davis

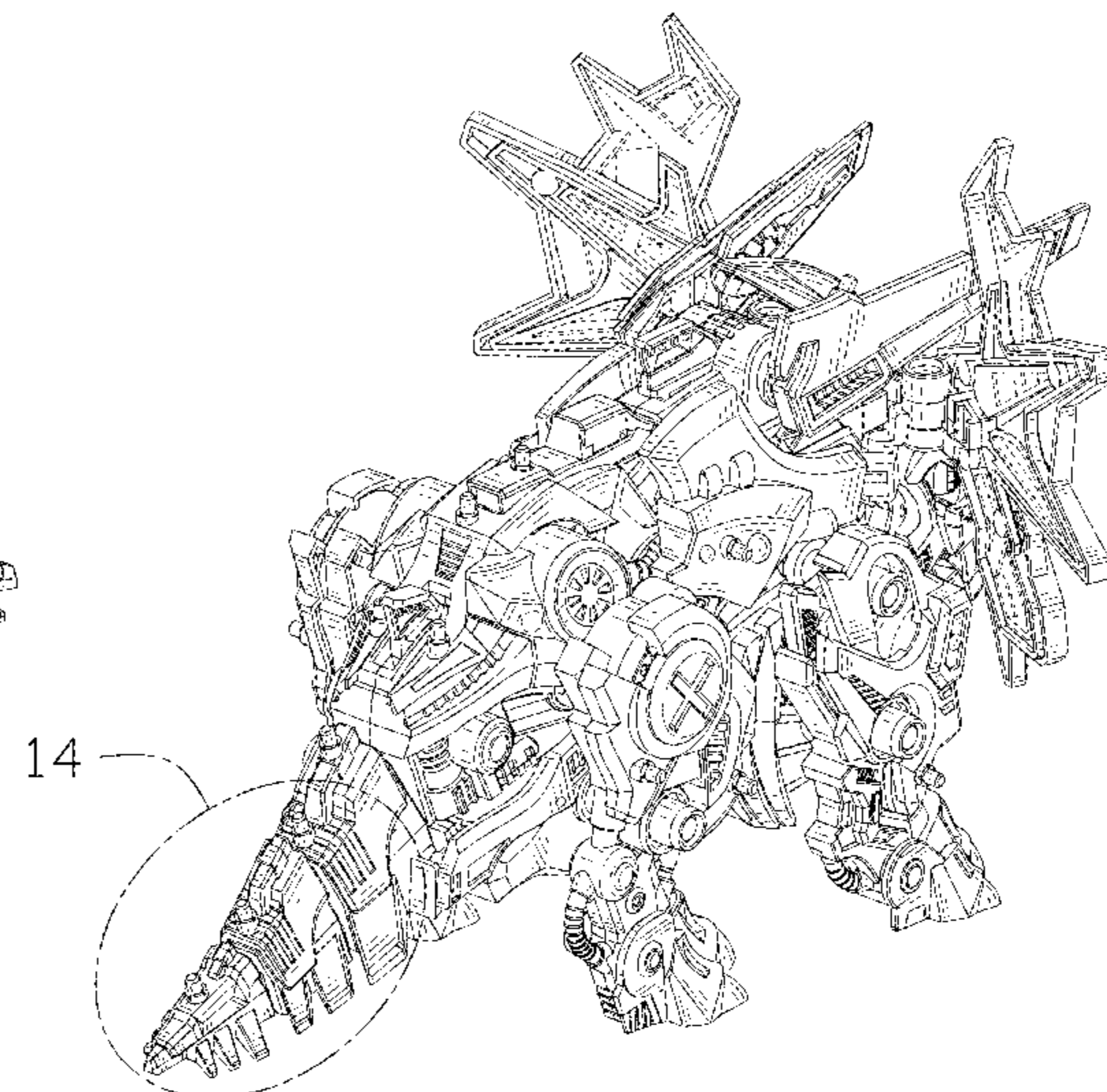
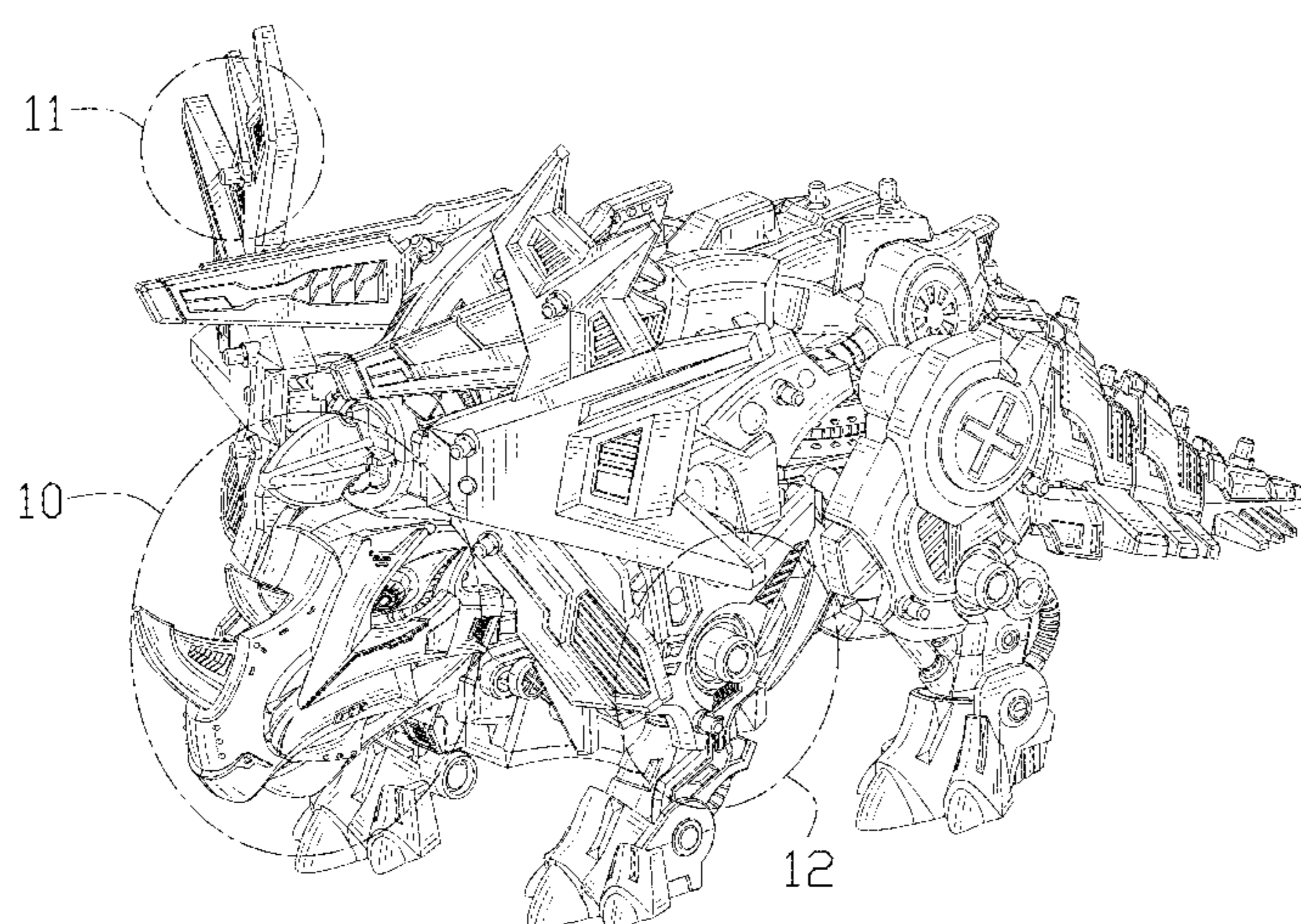
(57) **CLAIM**

The ornamental design for a toy, as shown and described.

**DESCRIPTION**

FIG. 1 is a perspective view of a toy showing my new design;  
FIG. 2 is another perspective view thereof;  
FIG. 3 is another perspective view thereof;  
FIG. 4 is a front elevational view thereof;  
FIG. 5 is a rear elevational view thereof;  
FIG. 6 is a left side elevational view thereof;  
FIG. 7 is a right side elevational view thereof;  
FIG. 8 is a top plan view thereof;  
FIG. 9 is a bottom plan view thereof;  
FIG. 10 is an enlarged view of portion 10 shown in FIG. 1;  
FIG. 11 is an enlarged view of portion 11 shown in FIG. 1;  
FIG. 12 is an enlarged view of portion 12 shown in FIG. 1;  
FIG. 13 is an enlarged view of portion 13 shown in FIG. 2;  
and,  
FIG. 14 is an enlarged view of portion 14 shown in FIG. 3.  
The dash-dash broken lines in the drawings depict portions of the toy that form no part of the claimed design. The dot-dash broken lines represent boundaries of the enlarged portions and form no part of the claimed design.

**1 Claim, 14 Drawing Sheets**



(56)

**References Cited**

U.S. PATENT DOCUMENTS

D870,215 S	*	12/2019	Ikoma .....	D21/615
D872,386 S		1/2020	Seadler et al.	
D883,403 S	*	5/2020	Chen .....	D21/615
D886,917 S	*	6/2020	Ikoma .....	D21/615
D935,534 S	*	11/2021	Chen .....	D21/615
D935,535 S	*	11/2021	Du .....	D21/615

\* cited by examiner

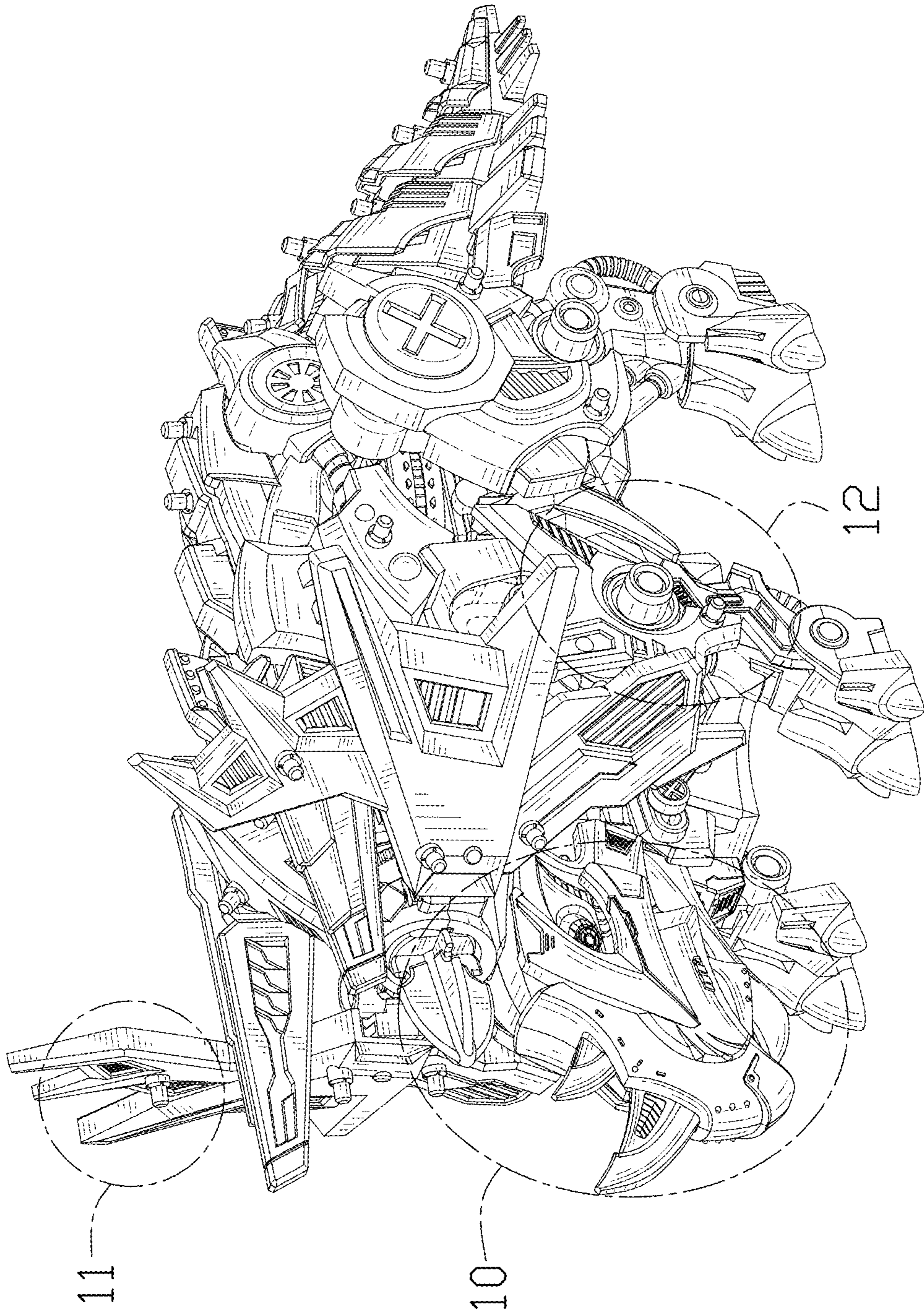


FIG. 1

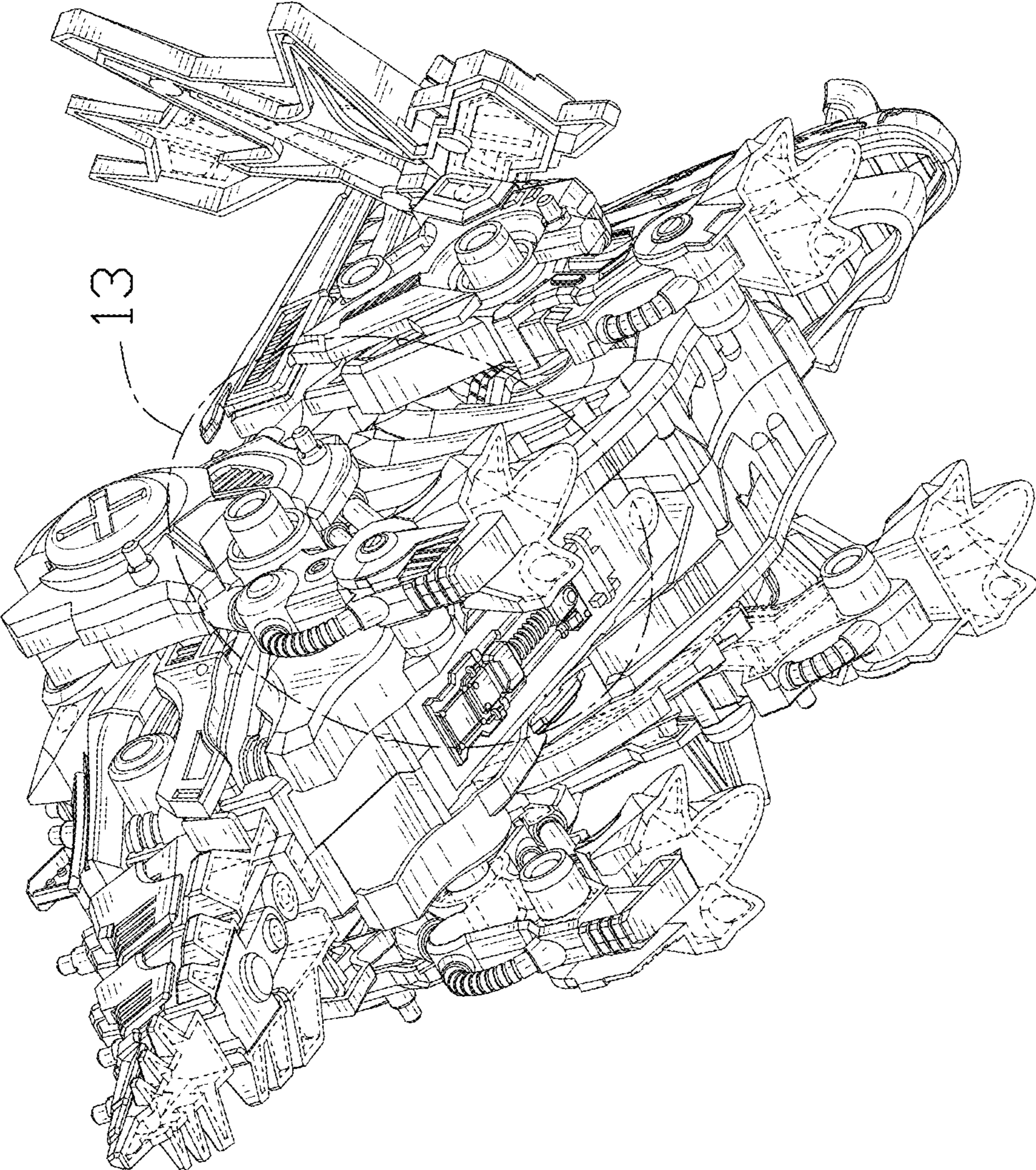
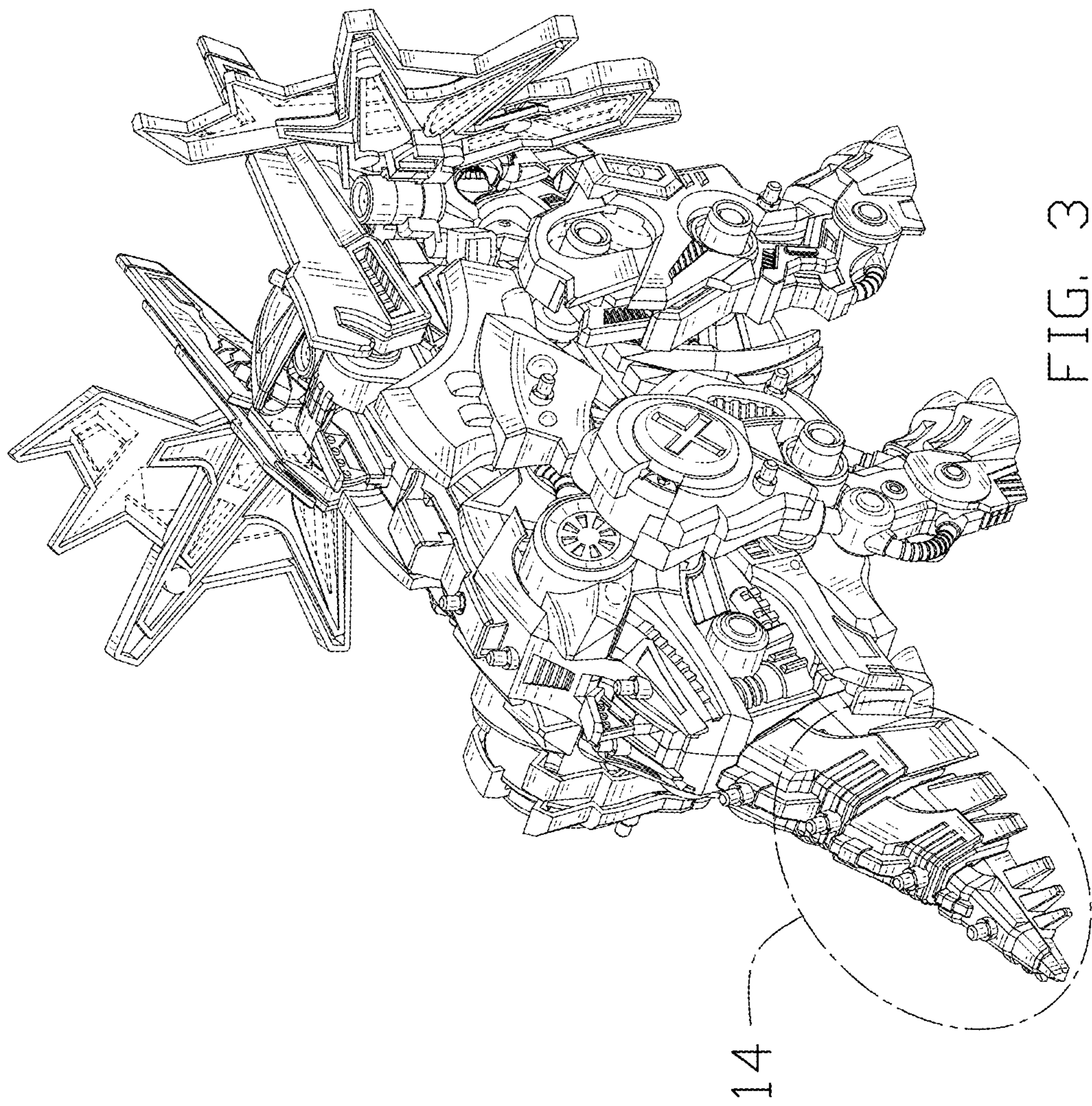


FIG. 2



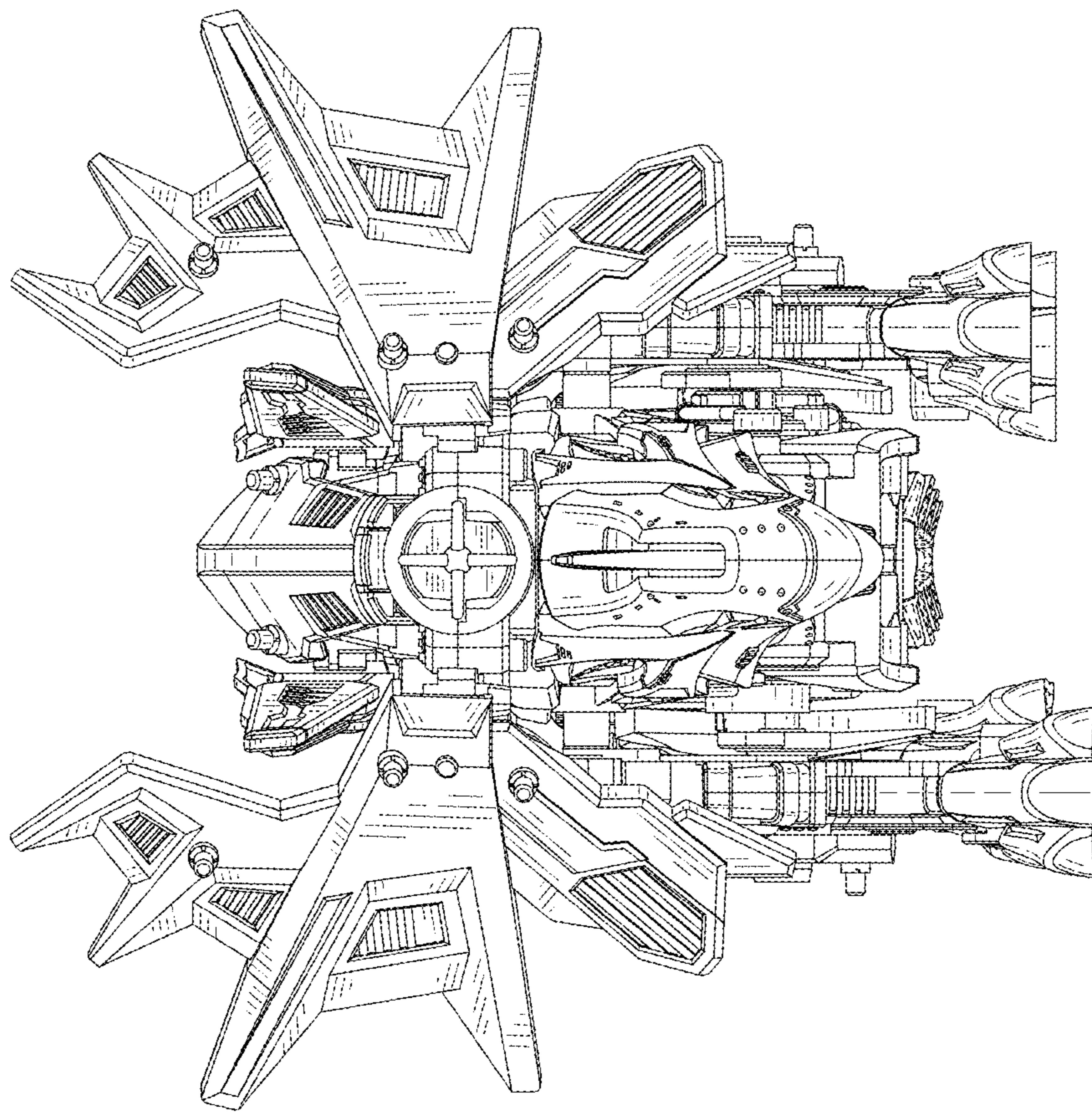


FIG. 4

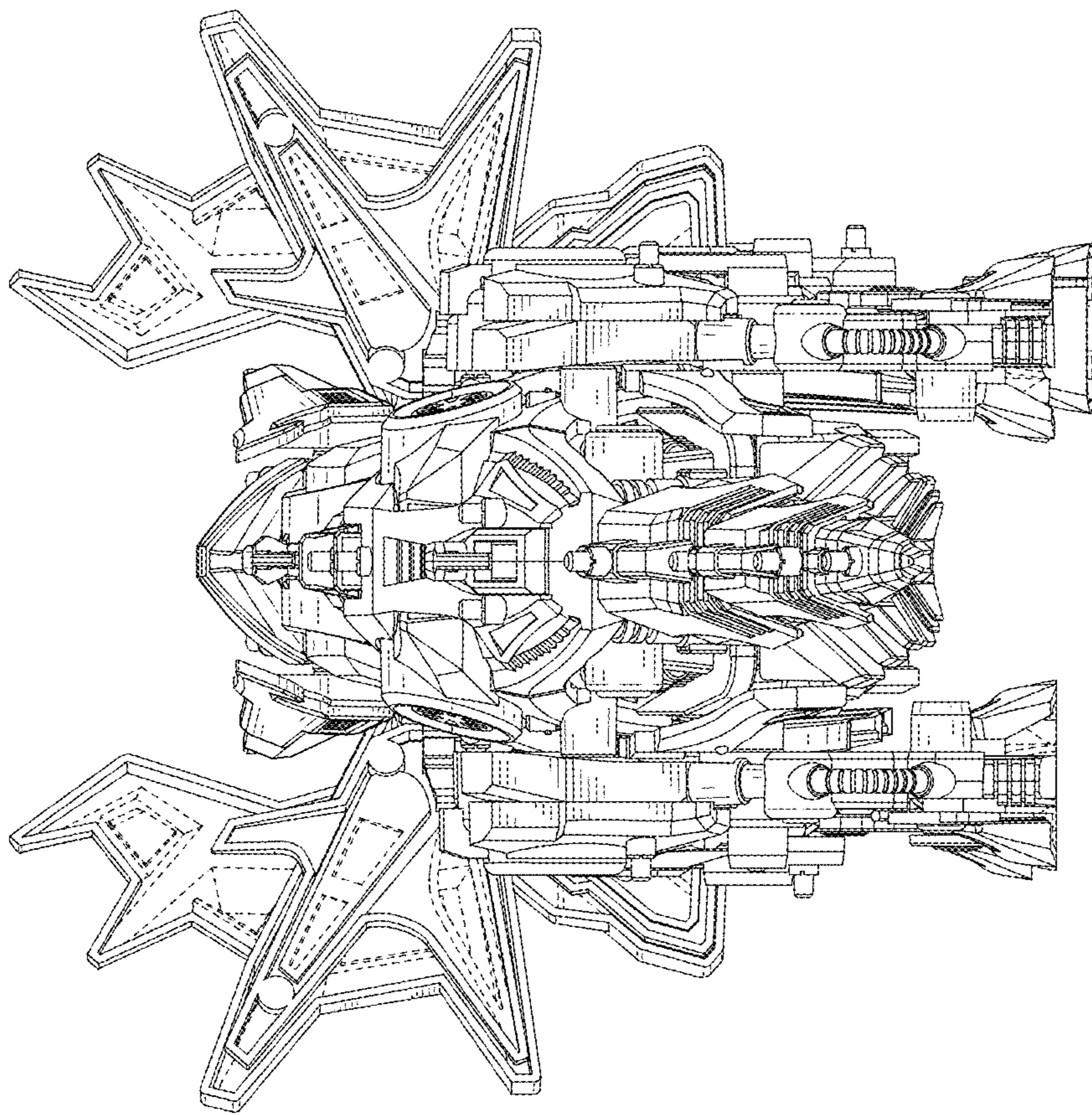


FIG. 5

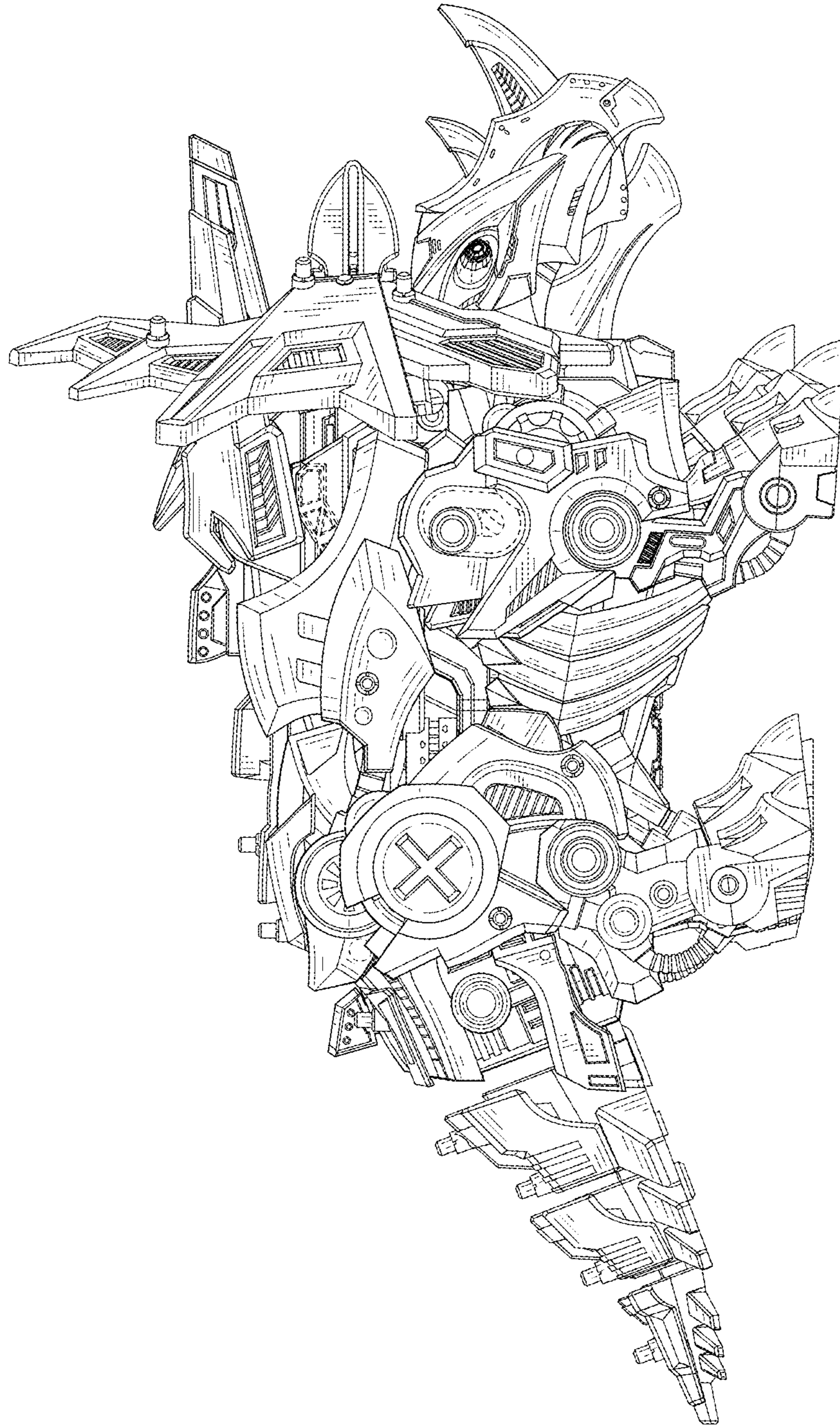


FIG. 6



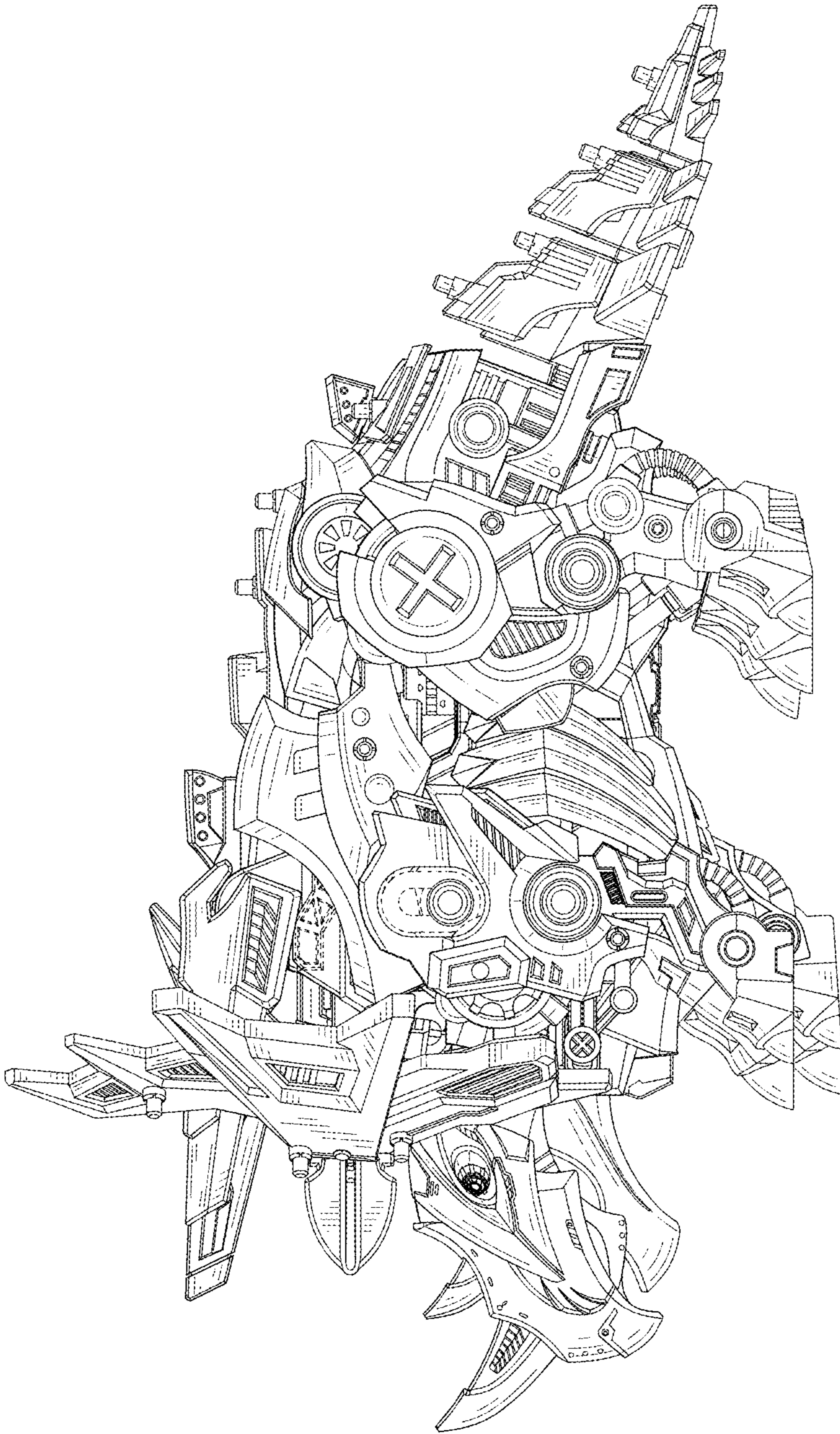


FIG. 7

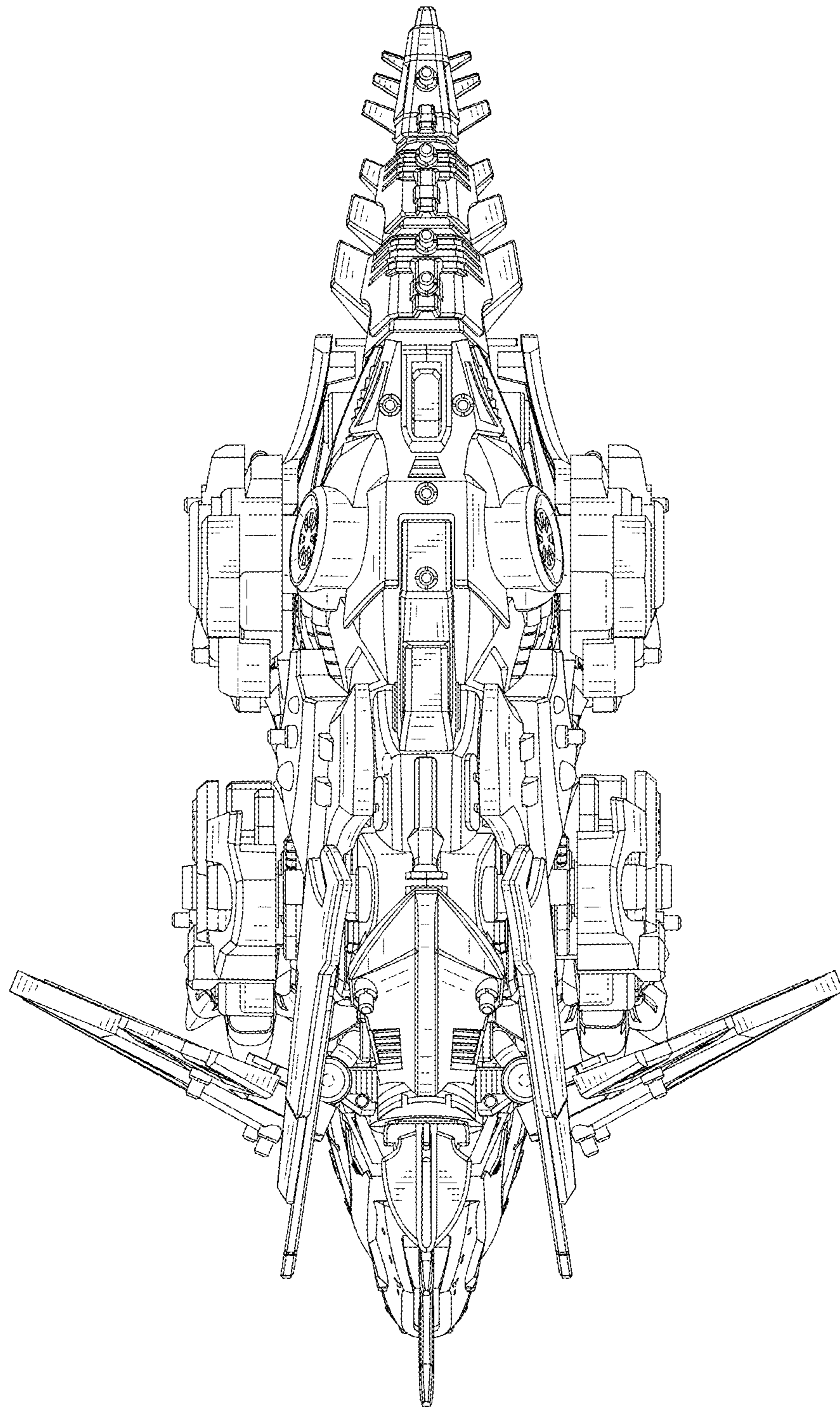


FIG. 8

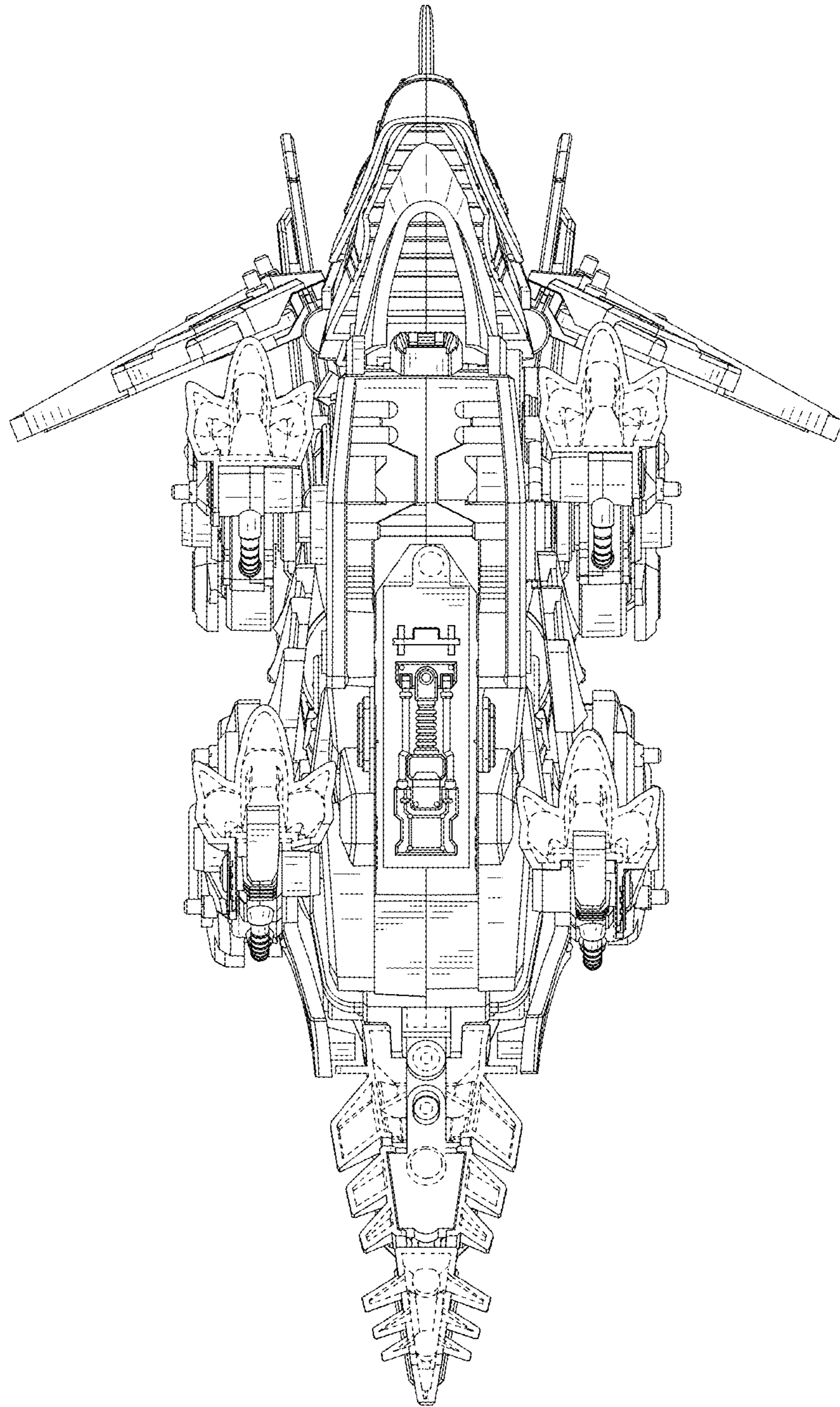


FIG. 9

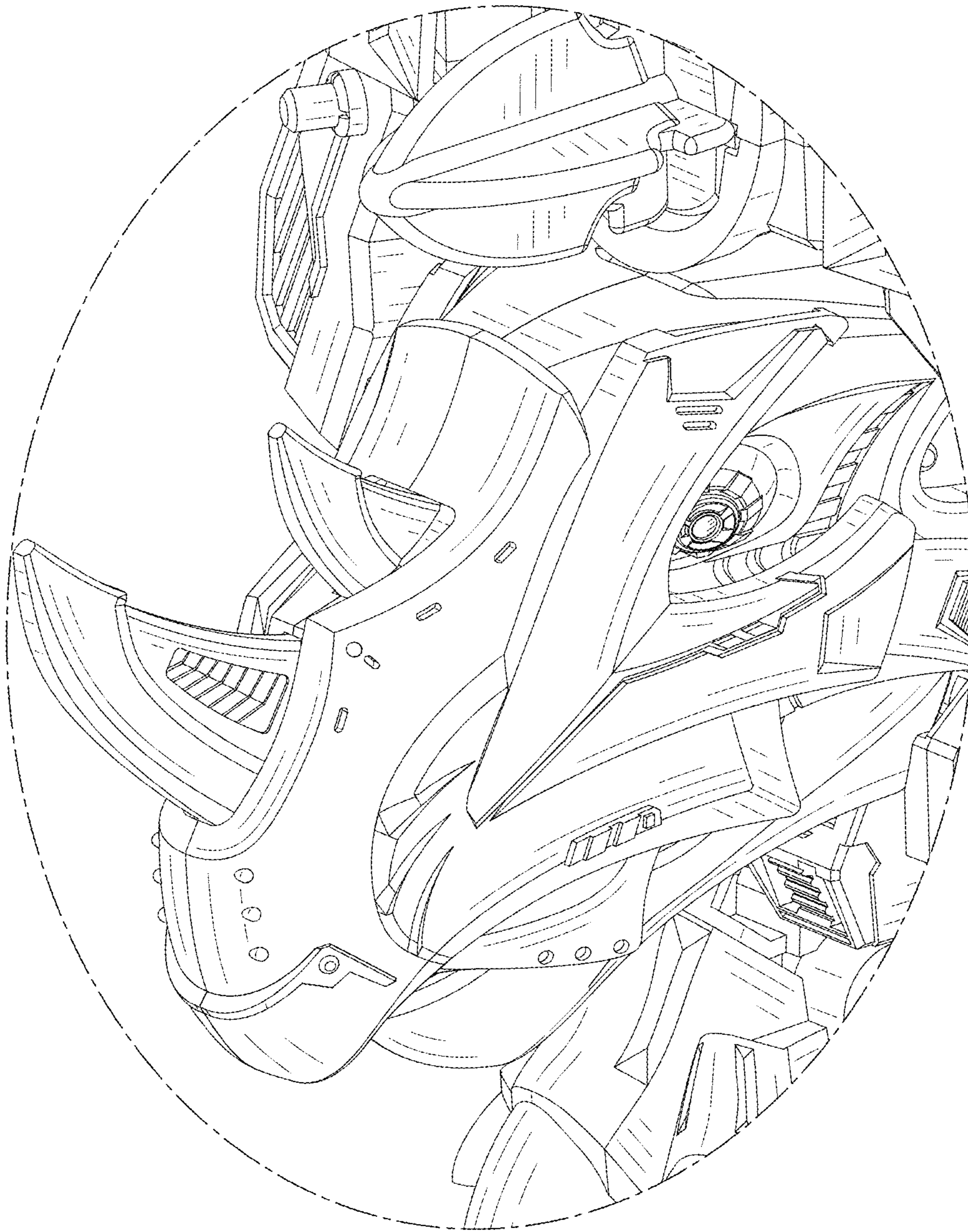


FIG. 10

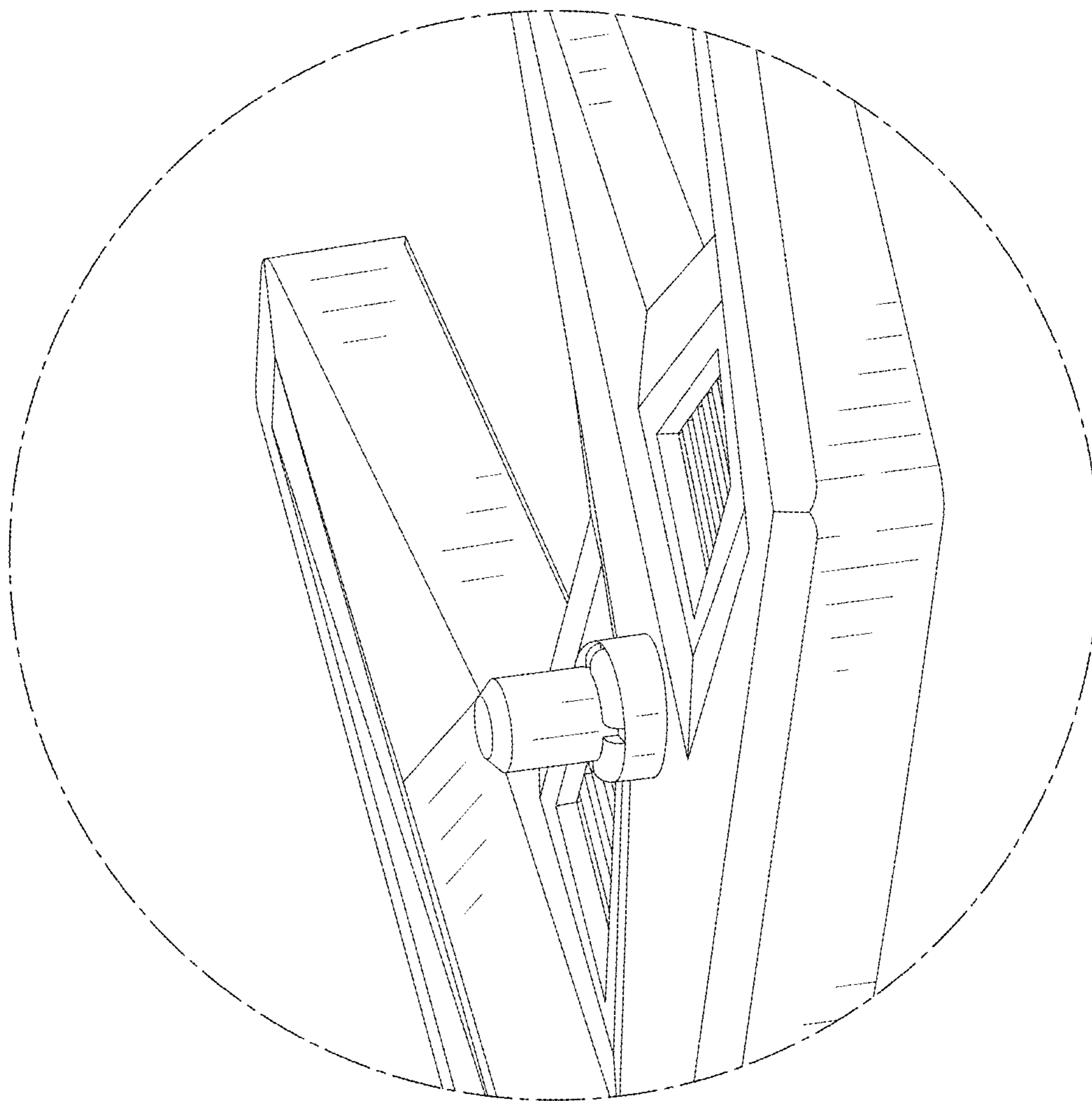


FIG. 11

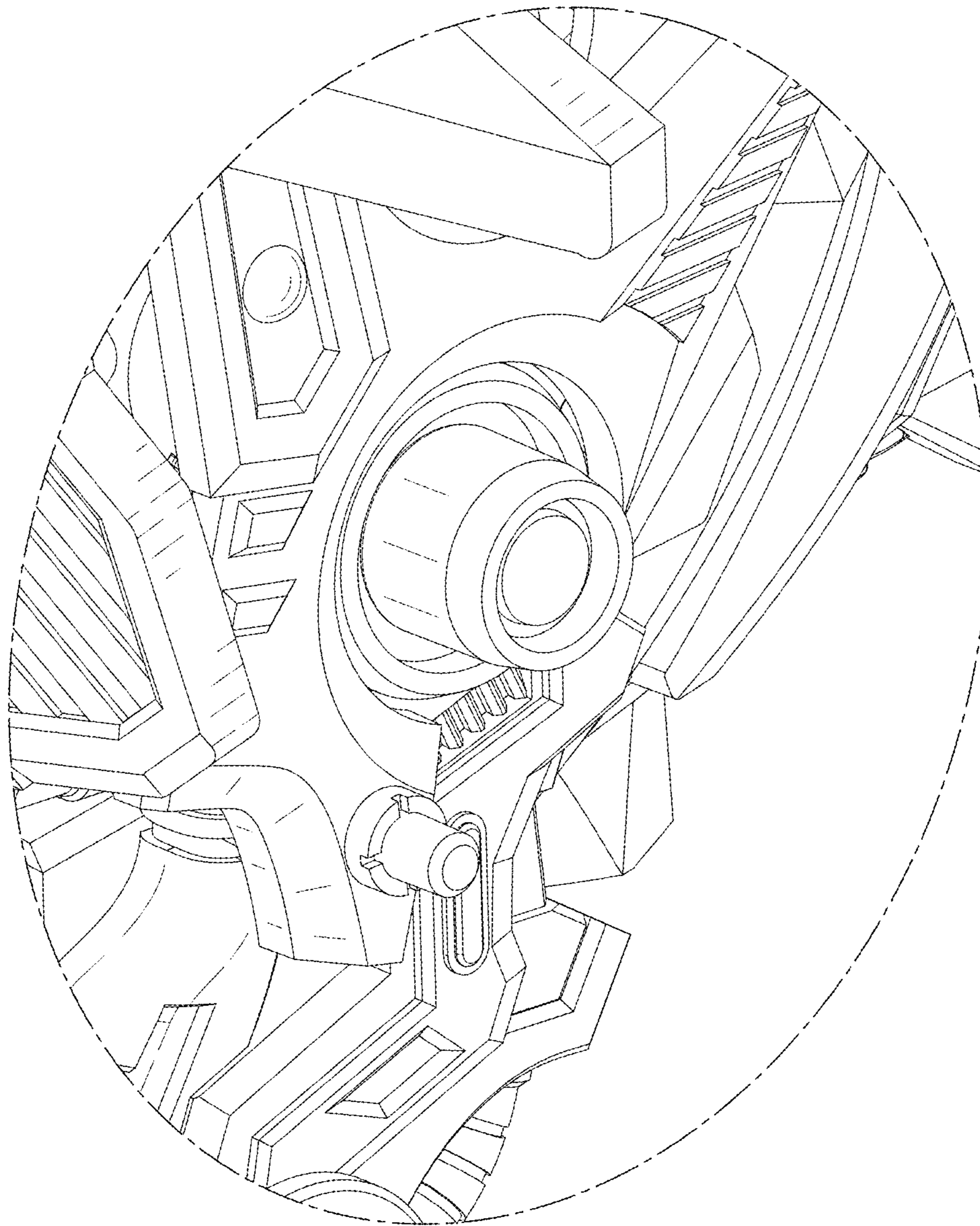


FIG. 12

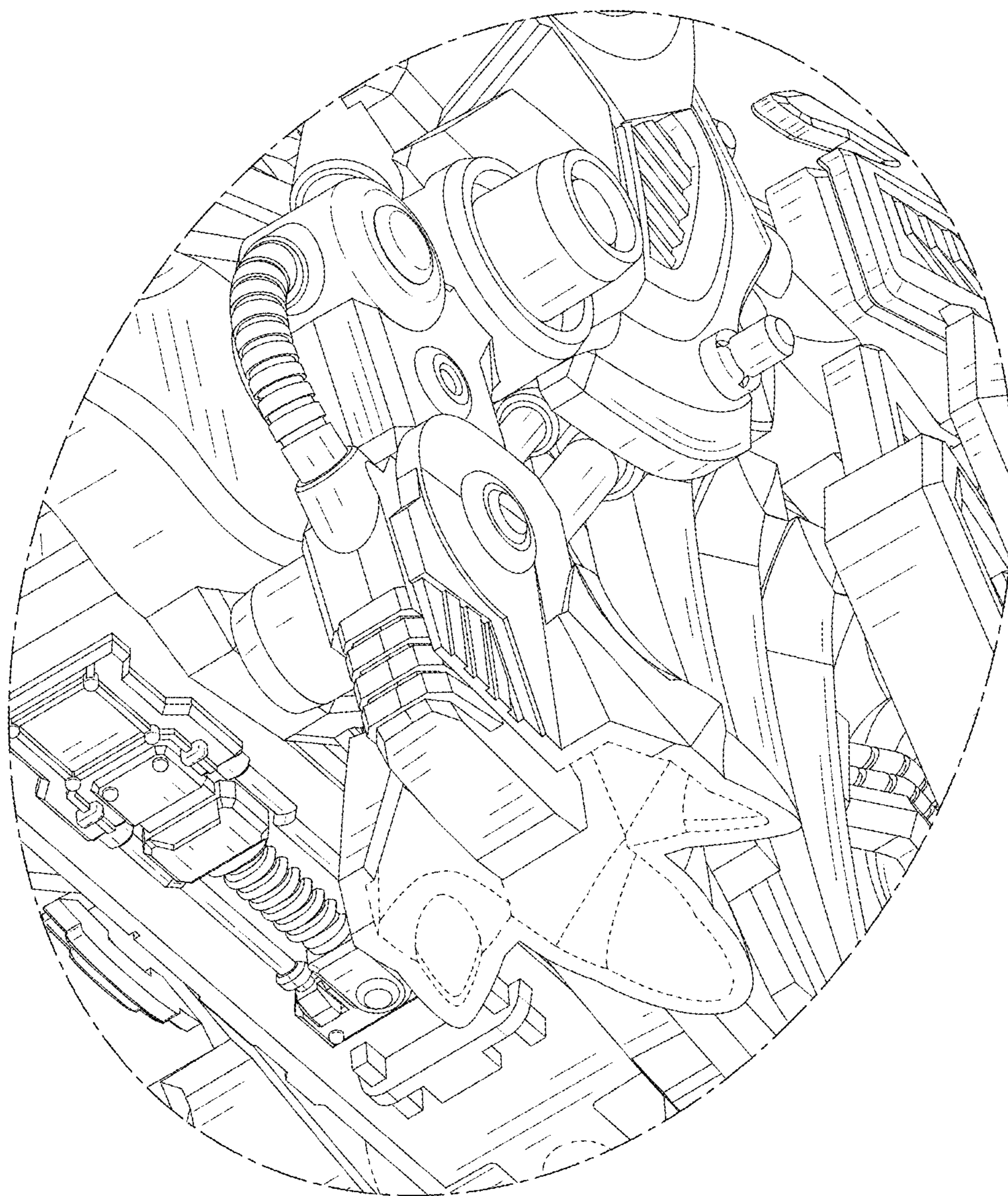


FIG. 13

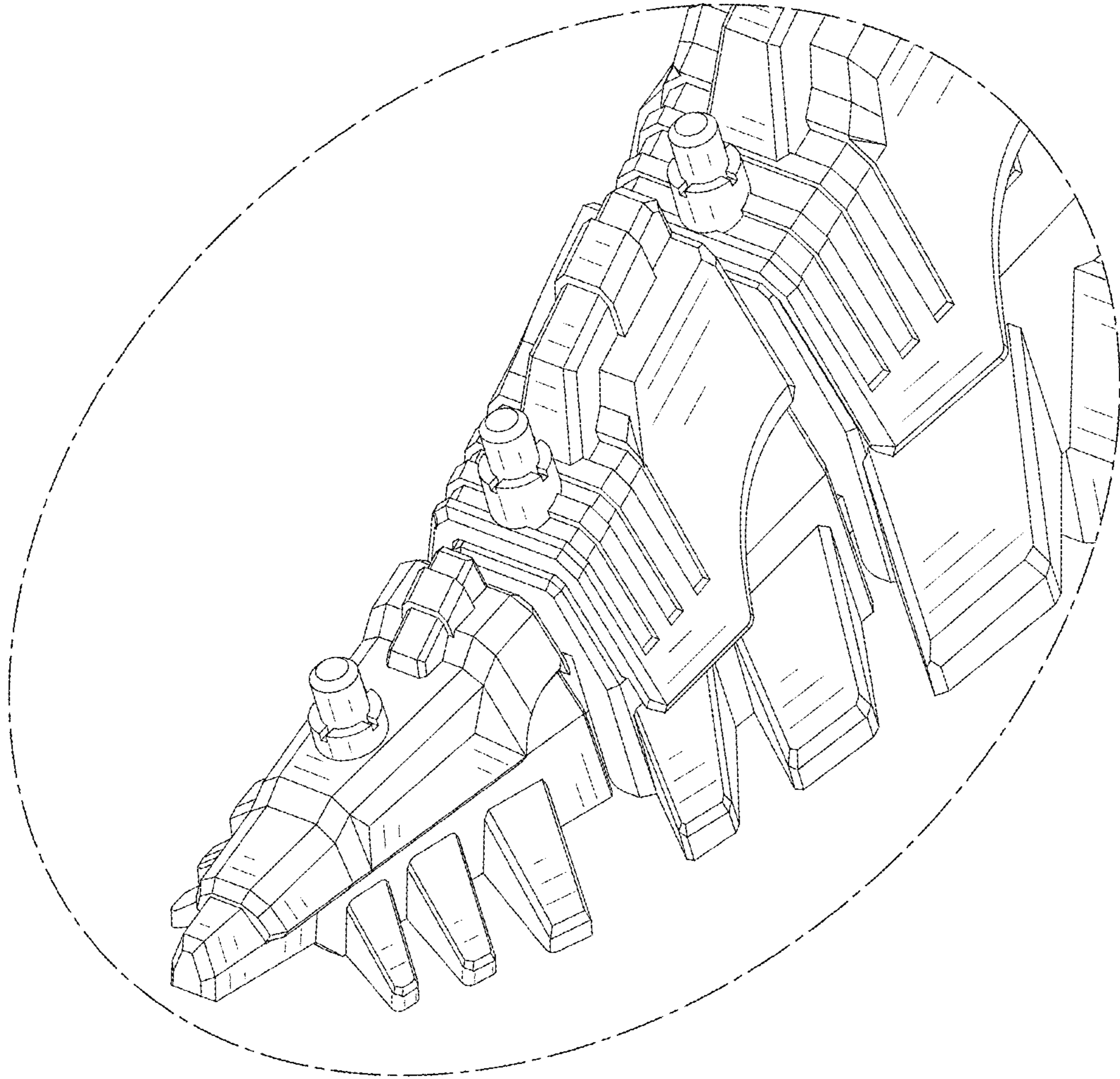


FIG. 14