



US00D957546S

(12) **United States Design Patent**
Chen

(10) **Patent No.:** **US D957,546 S**
(45) **Date of Patent:** **** Jul. 12, 2022**

- (54) **TOY GUN**
- (71) Applicant: **Shantou Little Lazy Monkey Network Tech. Co. Ltd., Shantou (CN)**
- (72) Inventor: **Chuang Chen, Shantou (CN)**
- (73) Assignee: **Shantou Little Lazy Monkey Network Tech. Co. Ltd., Shantou (CN)**

8,875,690 B2 * 11/2014 Chor-Ming F41B 11/89
124/56
10,495,406 B1 * 12/2019 Ma F41B 11/54
D908,816 S 1/2021 Cheng
2006/0283431 A1 * 12/2006 Lee F42B 12/40
124/41.1
2019/0383575 A1 * 12/2019 Chia A63F 9/0278
2021/0095935 A1 * 4/2021 Chia F41B 7/006

(**) Term: **15 Years**

(21) Appl. No.: **29/801,281**

(22) Filed: **Jul. 28, 2021**

(51) **LOC (13) Cl.** **21-01**

(52) **U.S. Cl.**
USPC **D21/573**

(58) **Field of Classification Search**
USPC D21/333, 570, 572-575; D14/418;
D22/100, 103, 104
CPC F41B 7/00; F41B 7/003; F41B 7/08; F41B
9/00; F41B 9/0078; F41B 9/0081; F41B
11/89; A63H 5/04
See application file for complete search history.

(56) **References Cited**

U.S. PATENT DOCUMENTS

D660,922 S 5/2012 Mead
D664,605 S * 7/2012 Mead D21/573

FOREIGN PATENT DOCUMENTS

TW D210843 S 4/2021

* cited by examiner

Primary Examiner — Cynthia M. Chin

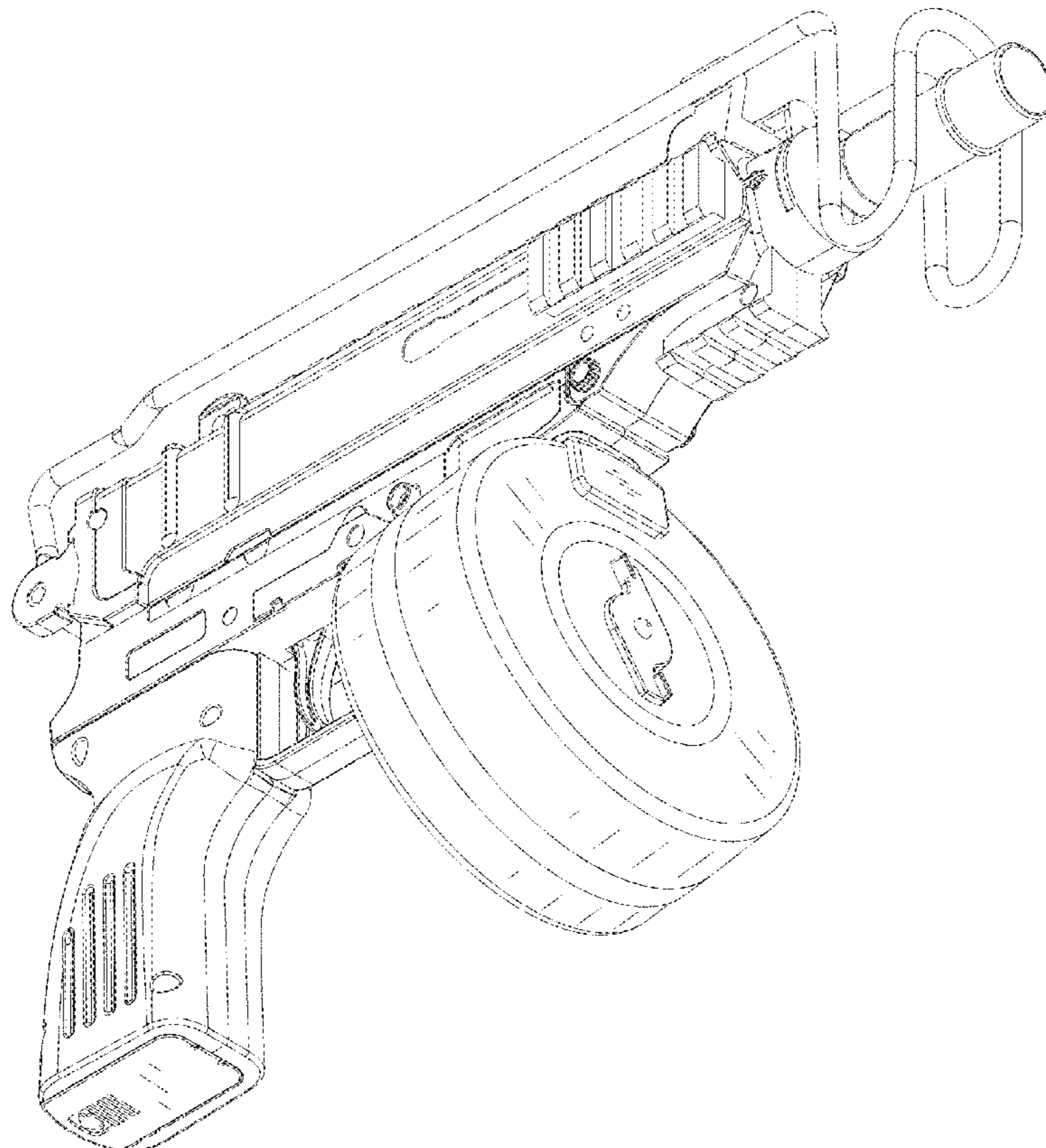
(57) **CLAIM**

The ornamental design for a toy gun, as shown and described.

DESCRIPTION

FIG. 1 is a perspective view of the toy gun.
FIG. 2 is a perspective view of the toy gun.
FIG. 3 is a front elevation view of the toy gun.
FIG. 4 is a rear elevation view of the toy gun.
FIG. 5 is a left elevation view of the toy gun.
FIG. 6 is a right elevation view of the toy gun.
FIG. 7 is a top plan view of the toy gun.
FIG. 8 is a bottom plan view of the toy gun; and,
FIG. 9 is a perspective view of an embodiment of the toy gun in an alternate state of use.

1 Claim, 9 Drawing Sheets



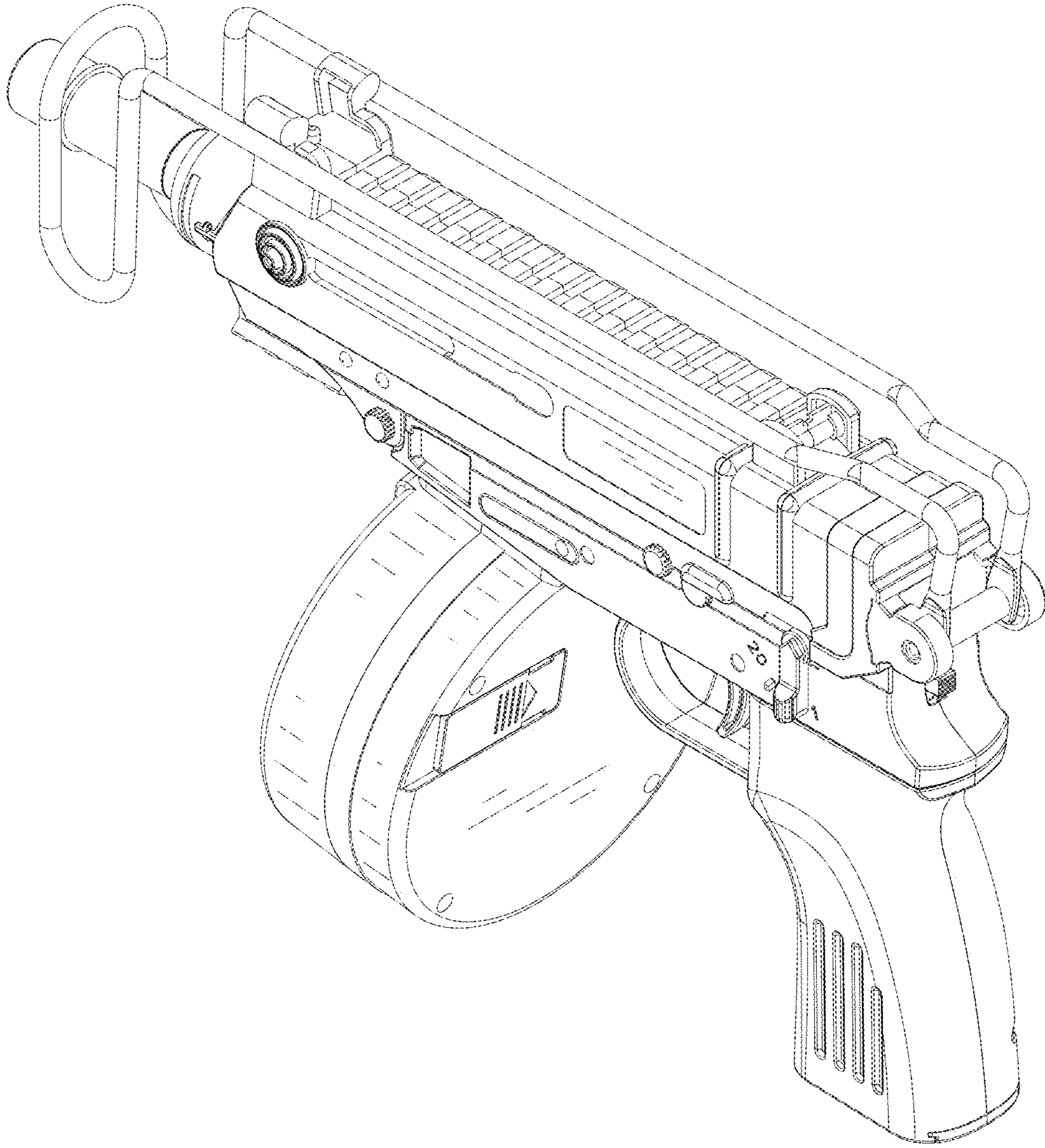


FIG. 1

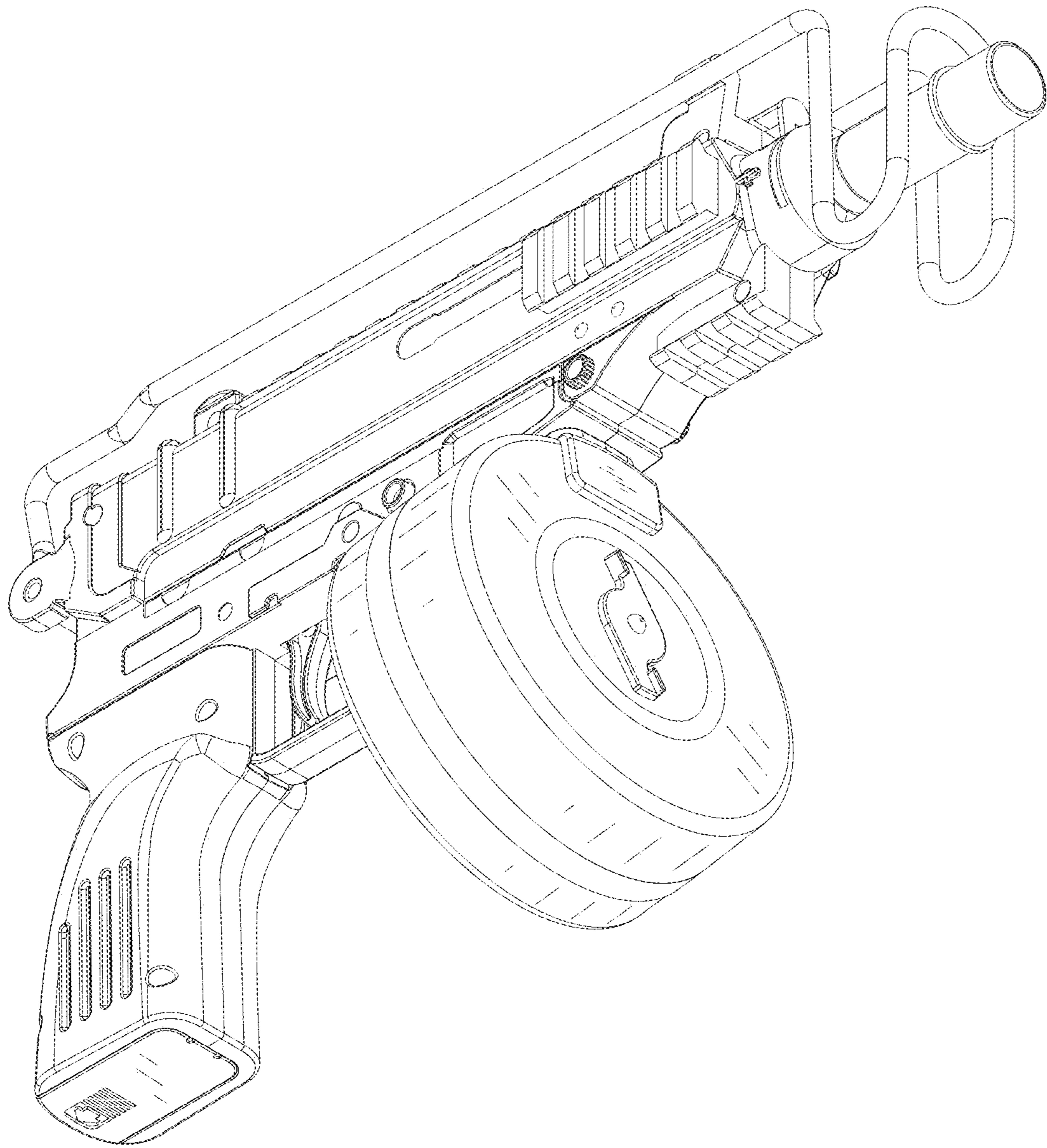


FIG. 2

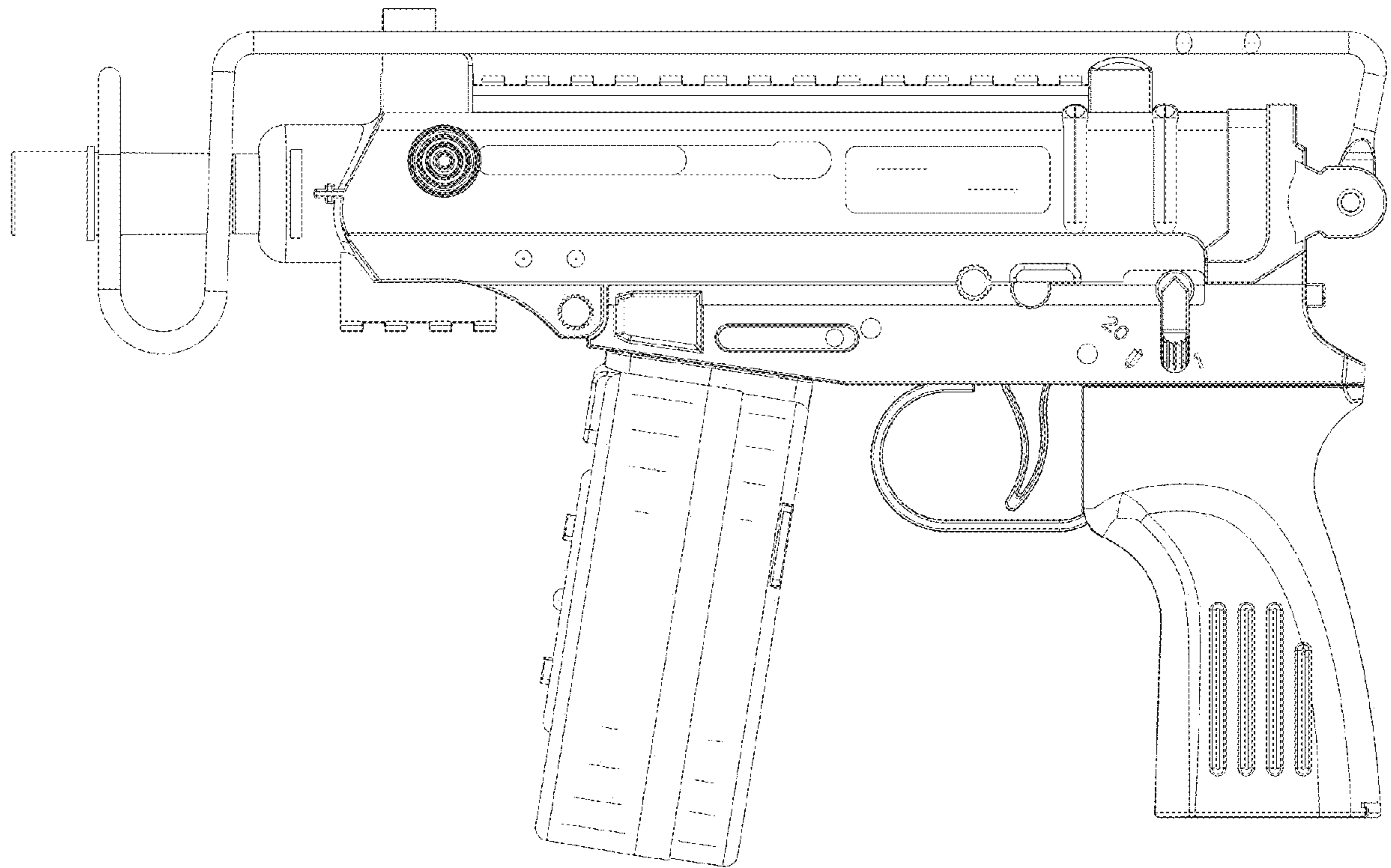


FIG. 3

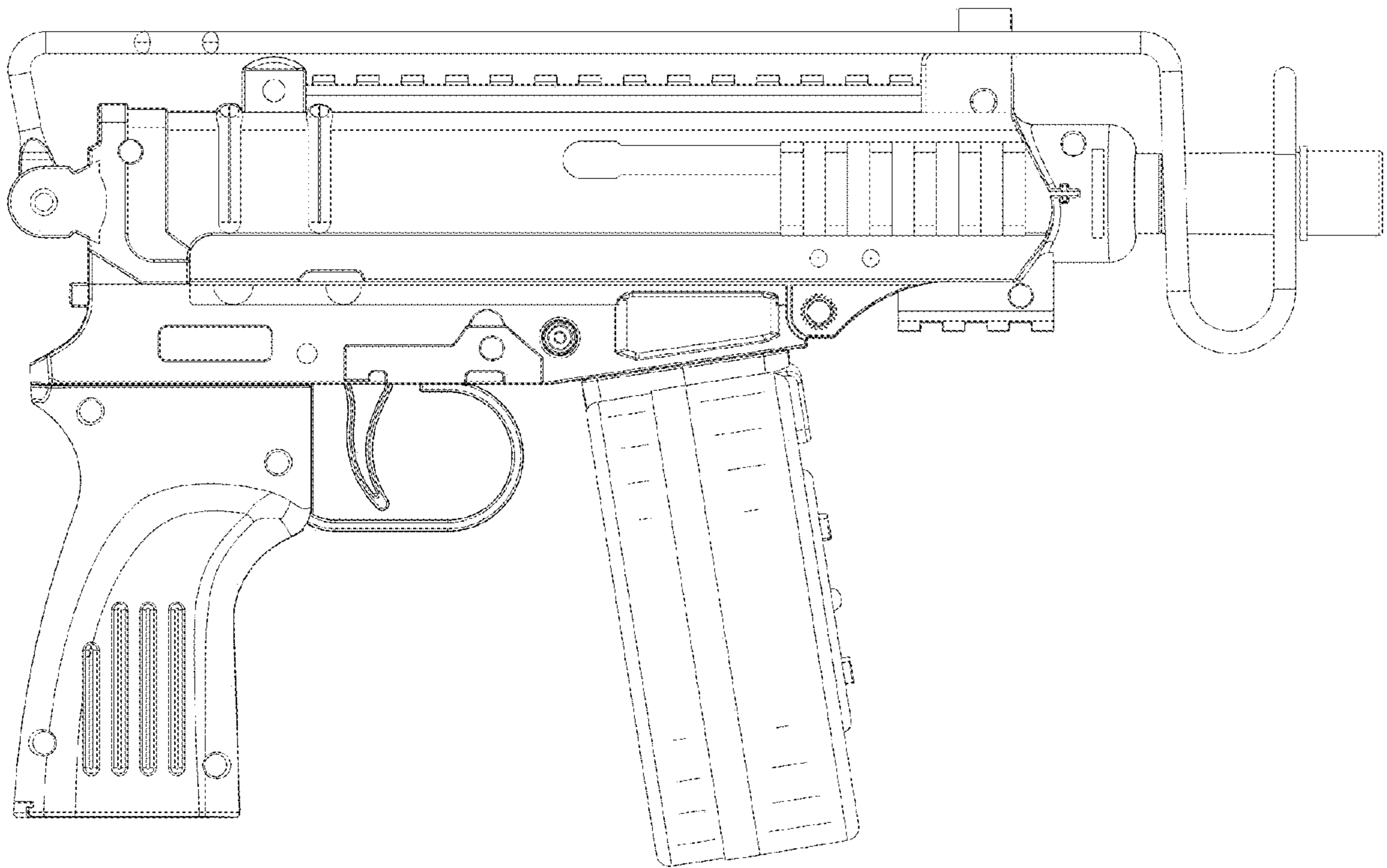


FIG. 4

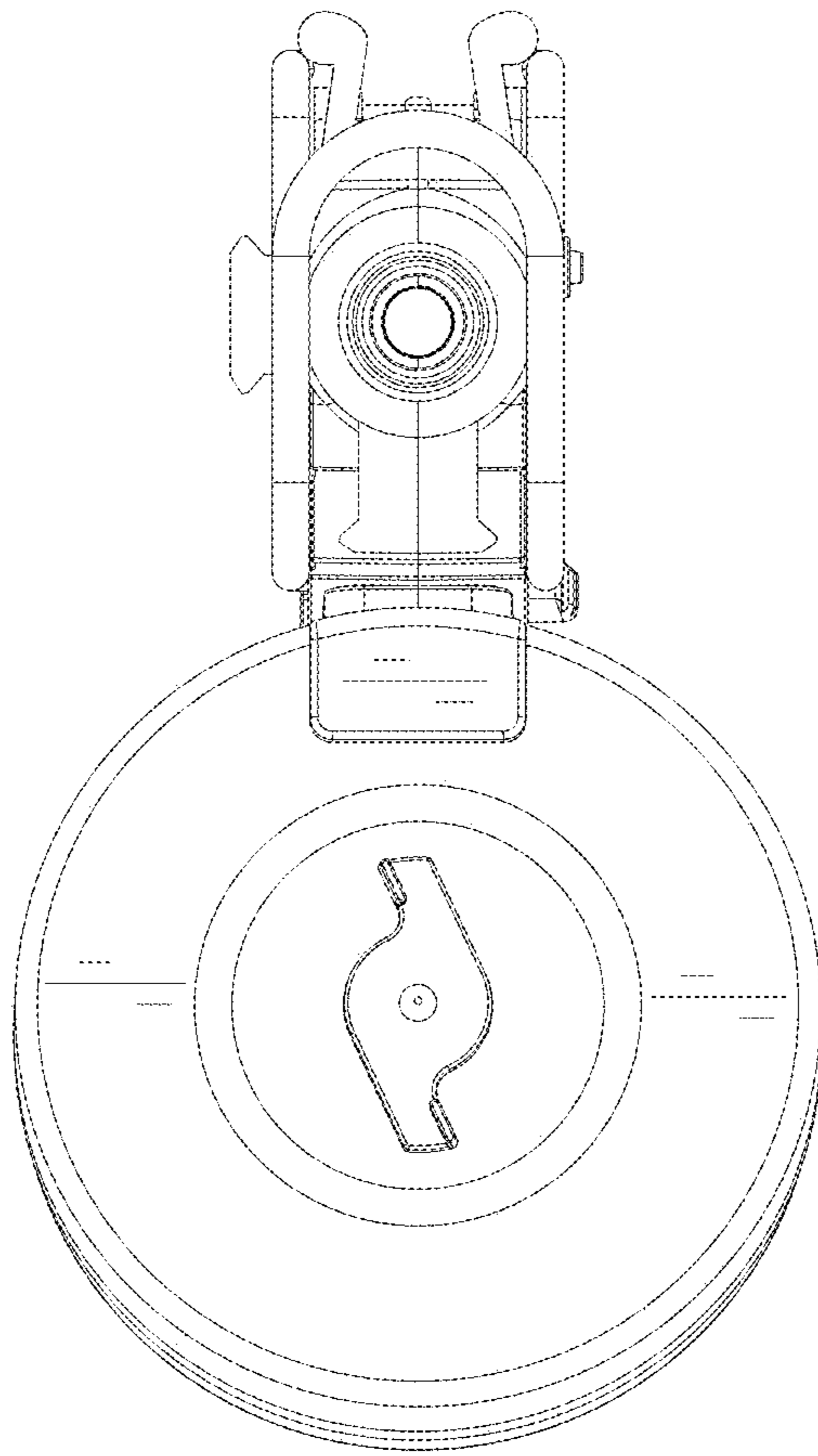


FIG. 5

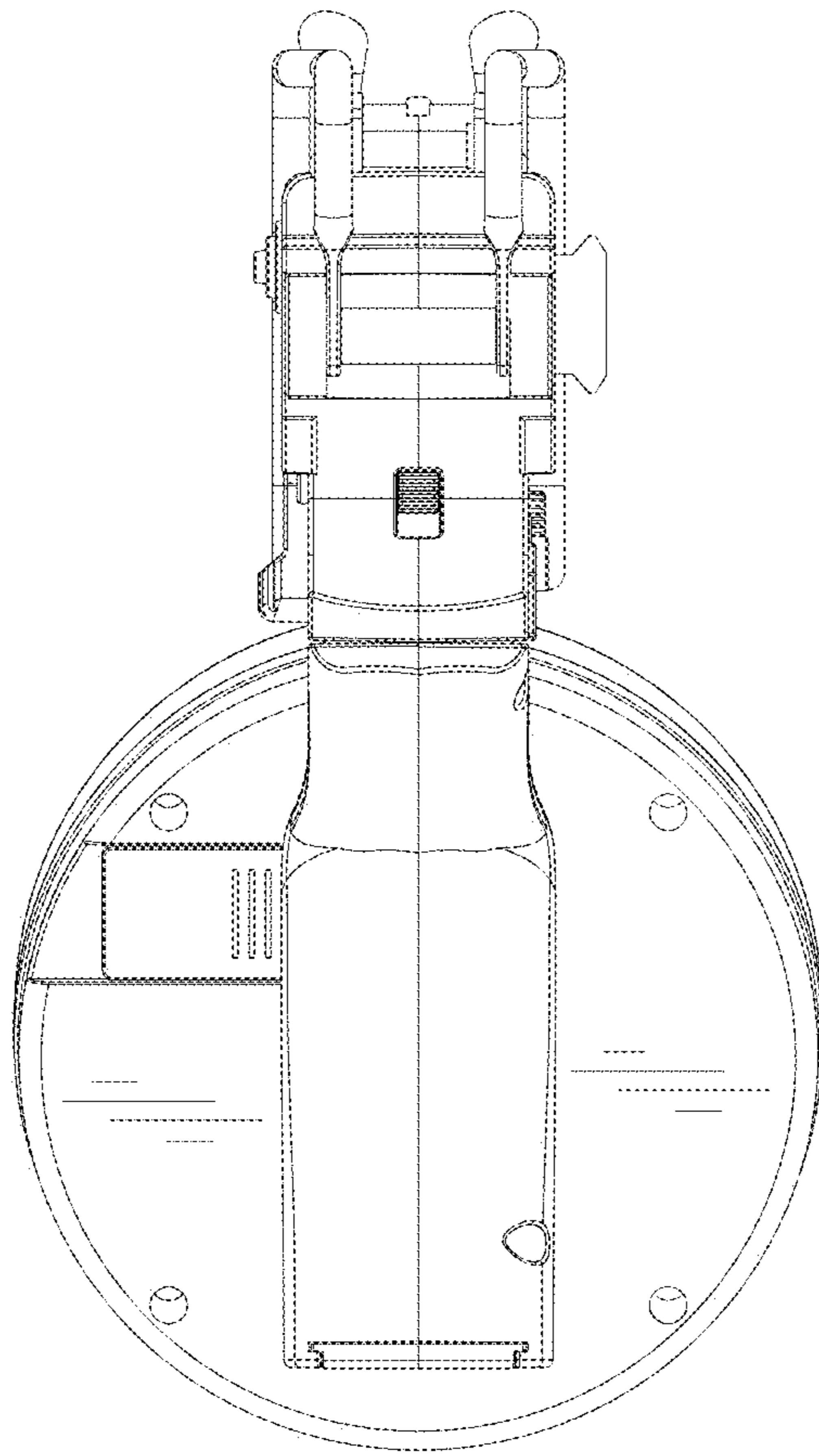


FIG. 6

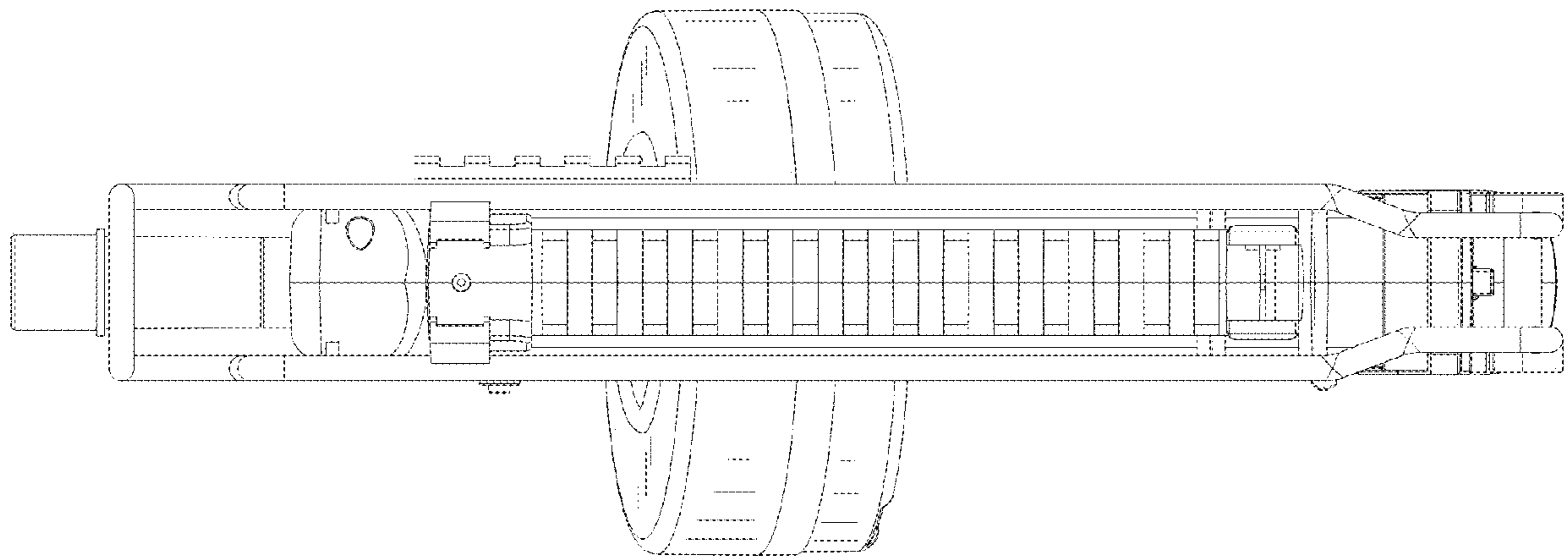


FIG. 7

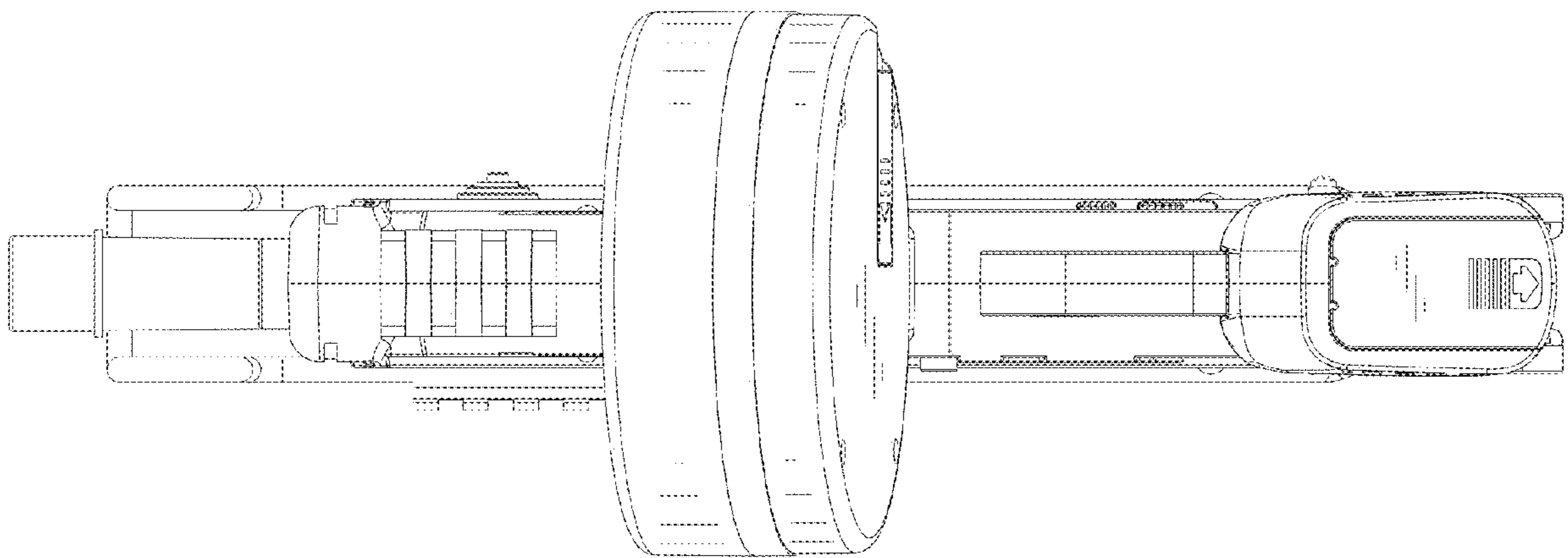


FIG. 8

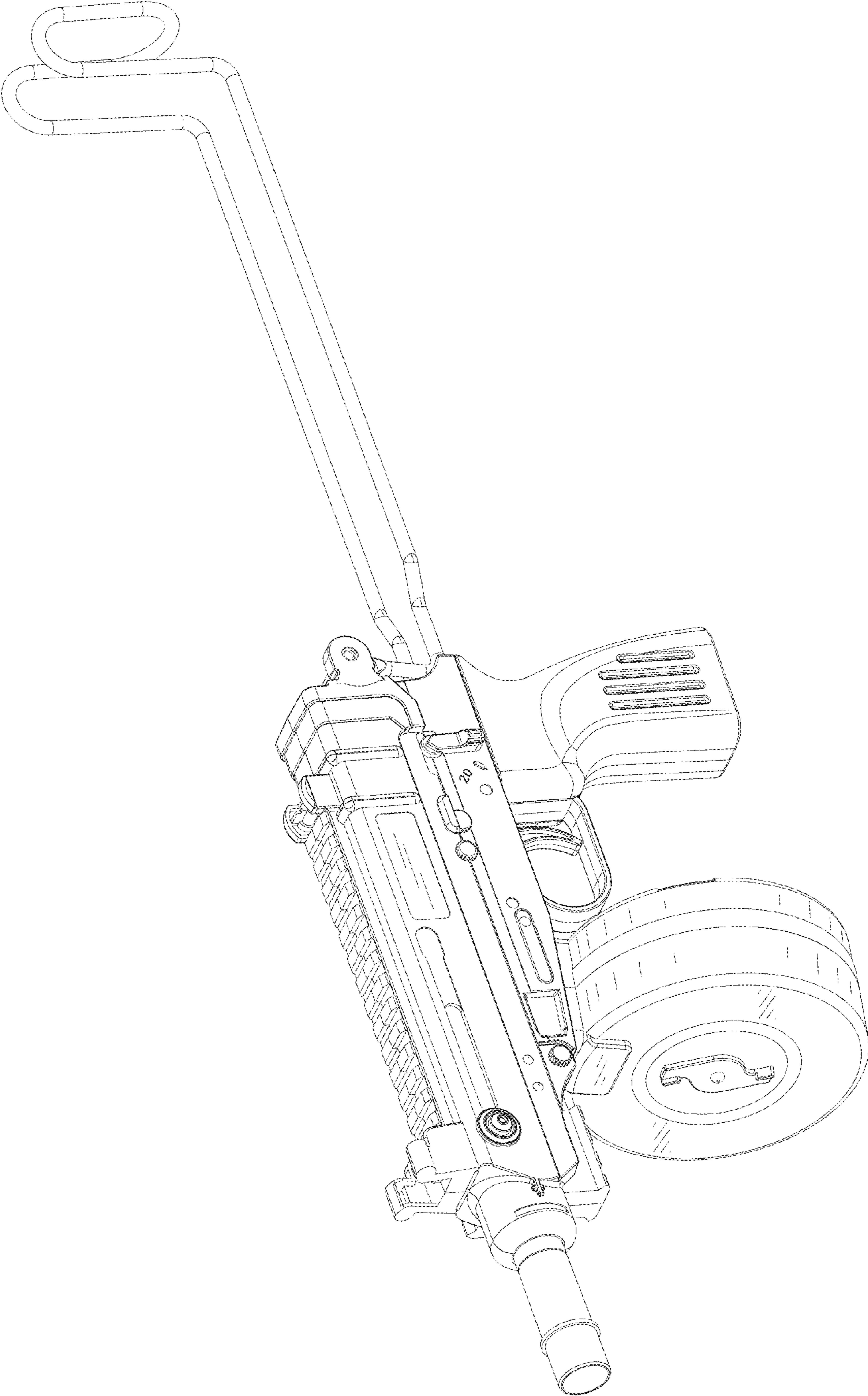


FIG. 9