



US00D957545S

(12) **United States Design Patent**  
**Manzoni**

(10) **Patent No.:** **US D957,545 S**  
(45) **Date of Patent:** **\*\* Jul. 12, 2022**

(54) **TOY CAR**  
(71) Applicant: **FERRARI S.p.A.**, Modena (IT)  
(72) Inventor: **Flavio Manzoni**, Modena (IT)  
(73) Assignee: **FERRARI S.p.A.**, Modena (IT)  
(\*\*) Term: **15 Years**

D717,211 S \* 11/2014 Stephenson ..... D12/92  
D827,494 S \* 9/2018 Manzoni ..... D12/88  
D833,912 S \* 11/2018 Manzoni ..... D12/88  
D842,799 S \* 3/2019 Nurnberger ..... D12/401  
D879,208 S \* 3/2020 Talios ..... D21/433  
D880,360 S \* 4/2020 Schmolz ..... D12/92  
D898,615 S \* 10/2020 Manzoni ..... D12/88  
D902,784 S \* 11/2020 Manzoni ..... D12/92  
D910,491 S \* 2/2021 Manzoni ..... D12/92  
D913,160 S \* 3/2021 Nurnberger ..... D12/92

(21) Appl. No.: **35/509,951**

(22) Filed: **Jan. 29, 2020**

(80) **Hague Agreement Data**

Int. Filing Date: **Jan. 29, 2020**  
Int. Reg. No.: **DM/206434**  
Int. Reg. Date: **Jan. 29, 2020**  
Int. Reg. Pub. Date: **Jul. 31, 2020**

(30) **Foreign Application Priority Data**

Jul. 29, 2019 (EM) ..... 006652236

(51) **LOC (13) Cl.** ..... **21-01**

(52) **U.S. Cl.**  
USPC ..... **D21/551**

(58) **Field of Classification Search**  
USPC ..... D12/82, 86, 88, 90-92, 196; D21/424,  
D21/433, 434, 533, 548-551  
CPC ..... B62D 25/00; B62D 25/06; B62D 31/00;  
B62D 31/003; B62D 33/00; B62D 35/00;  
B62D 47/00  
See application file for complete search history.

(56) **References Cited**

**U.S. PATENT DOCUMENTS**

D526,599 S \* 8/2006 Moruzzi ..... D12/92  
D536,397 S \* 2/2007 Fine ..... D21/551

**OTHER PUBLICATIONS**

Ferrari, Ferrari 812 GTS—Official Video, Sep. 10, 2019, YouTube.com. Retrieved from the internet on Jul. 26, 2021 <URL: https://youtu.be/14q3USGa7sA> (Year: 2019).\*

\* cited by examiner

*Primary Examiner* — Joseph Kukella  
(74) *Attorney, Agent, or Firm* — Cowan, Liebowitz & Latman, P.C.; Anastasia Zhadina

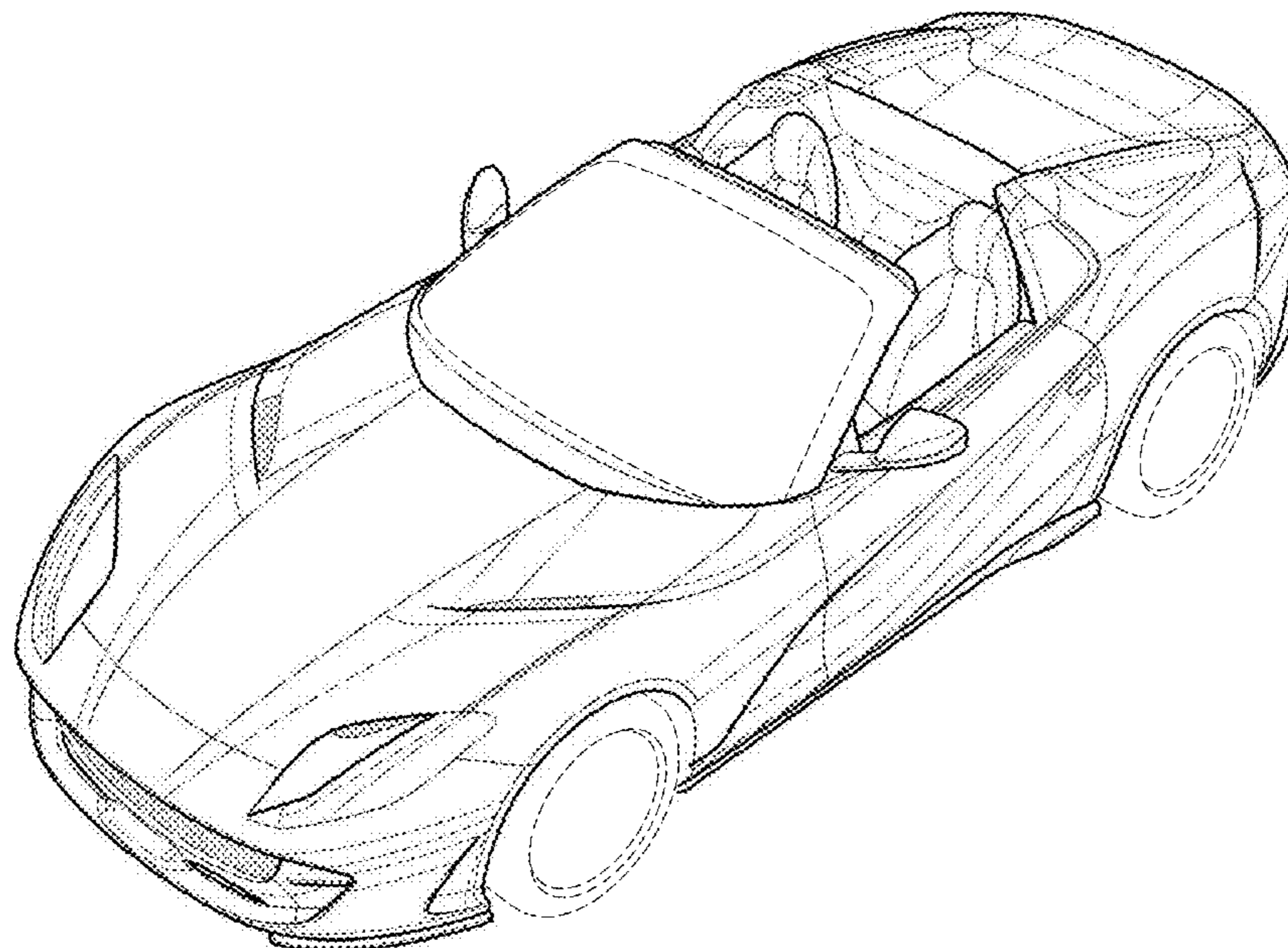
(57) **CLAIM**

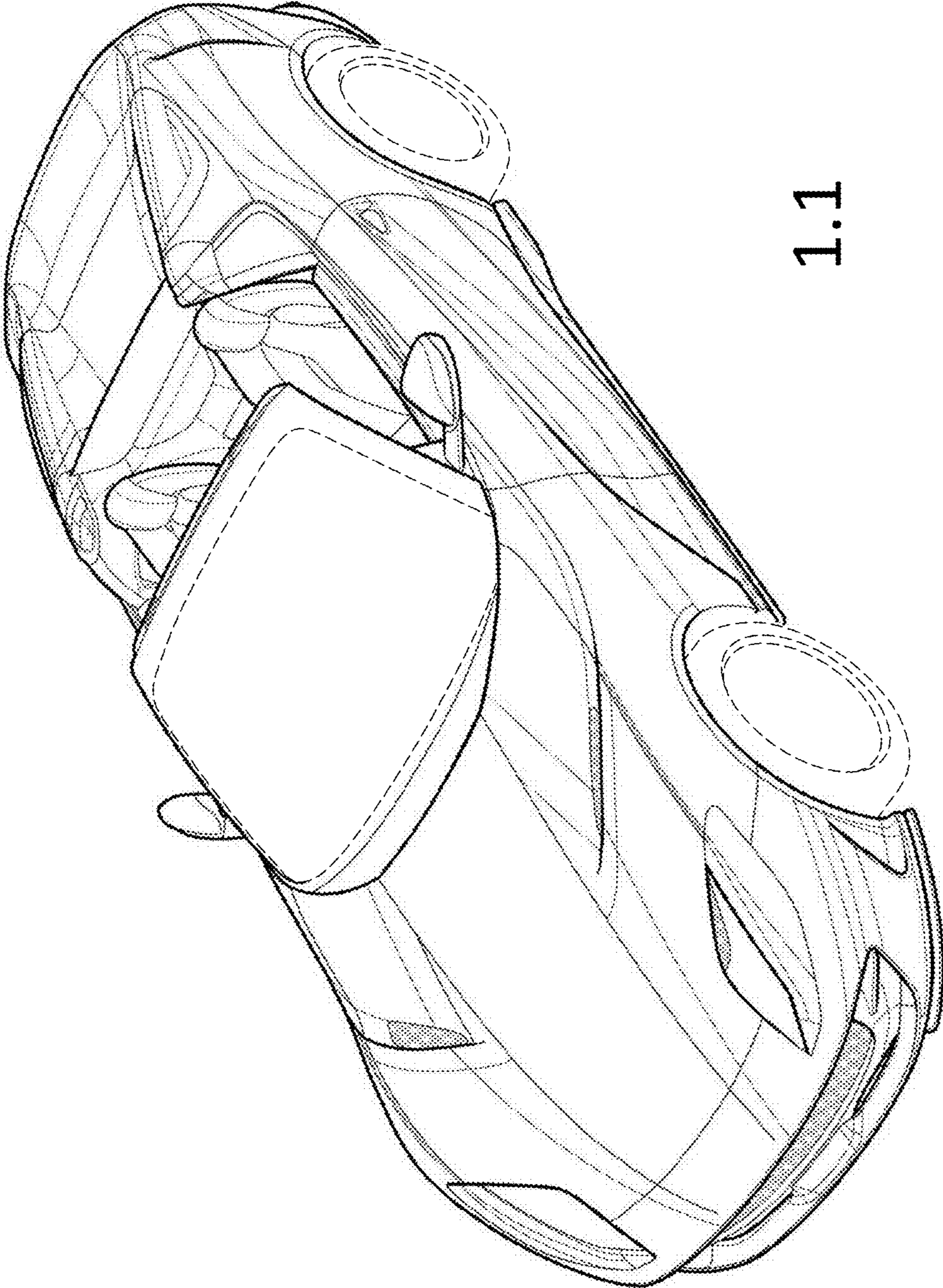
The ornamental design for a toy car, as shown and described.

**DESCRIPTION**

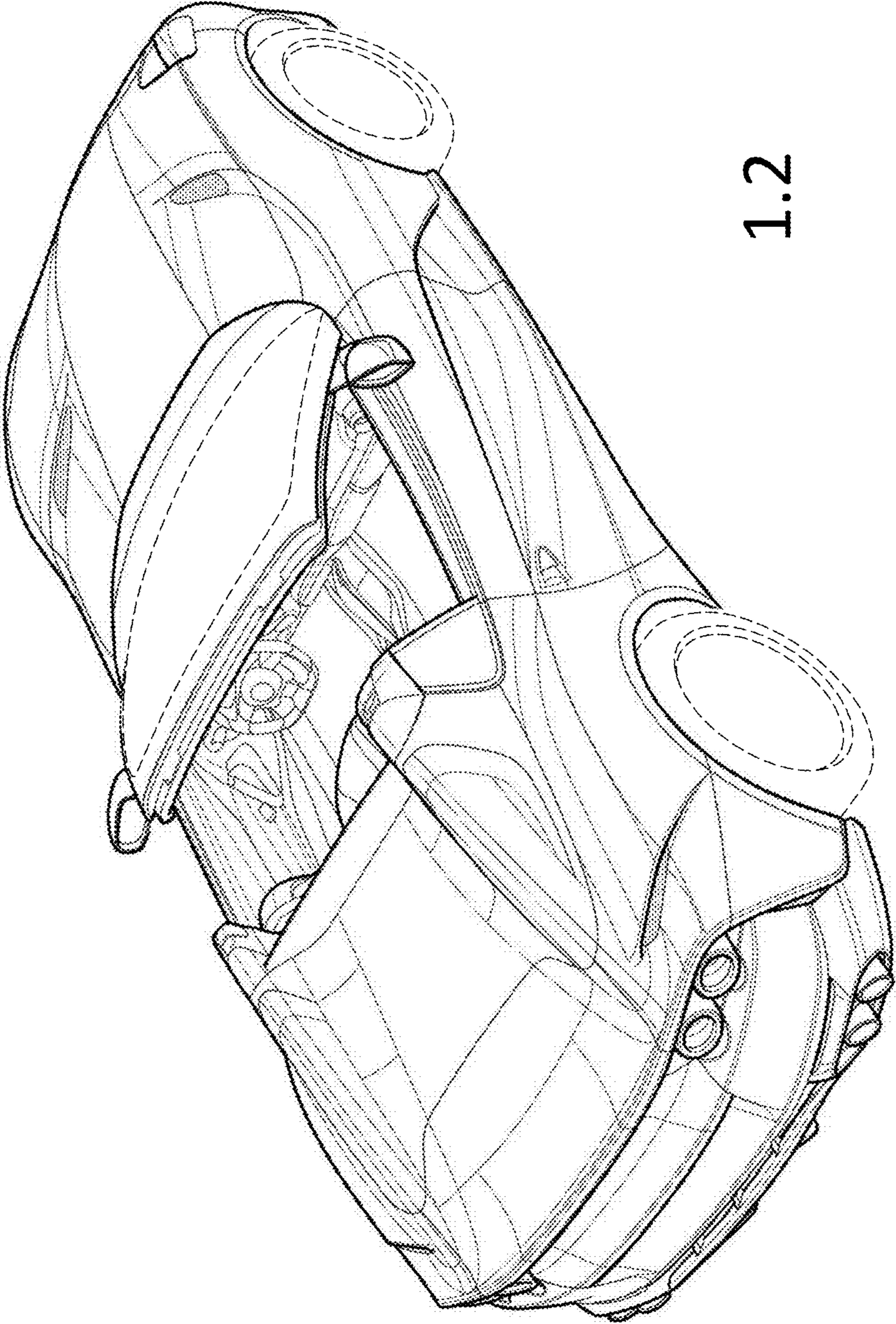
1. Toy car  
**1.1** : Front perspective view  
**1.2** : Rear perspective view  
**1.3** : Front  
**1.4** : Rear view  
**1.5** : Lateral view  
**1.6** : Top plan view  
Portions of a toy car shown in broken lines form no part of the claimed design.

**1 Claim, 6 Drawing Sheets**

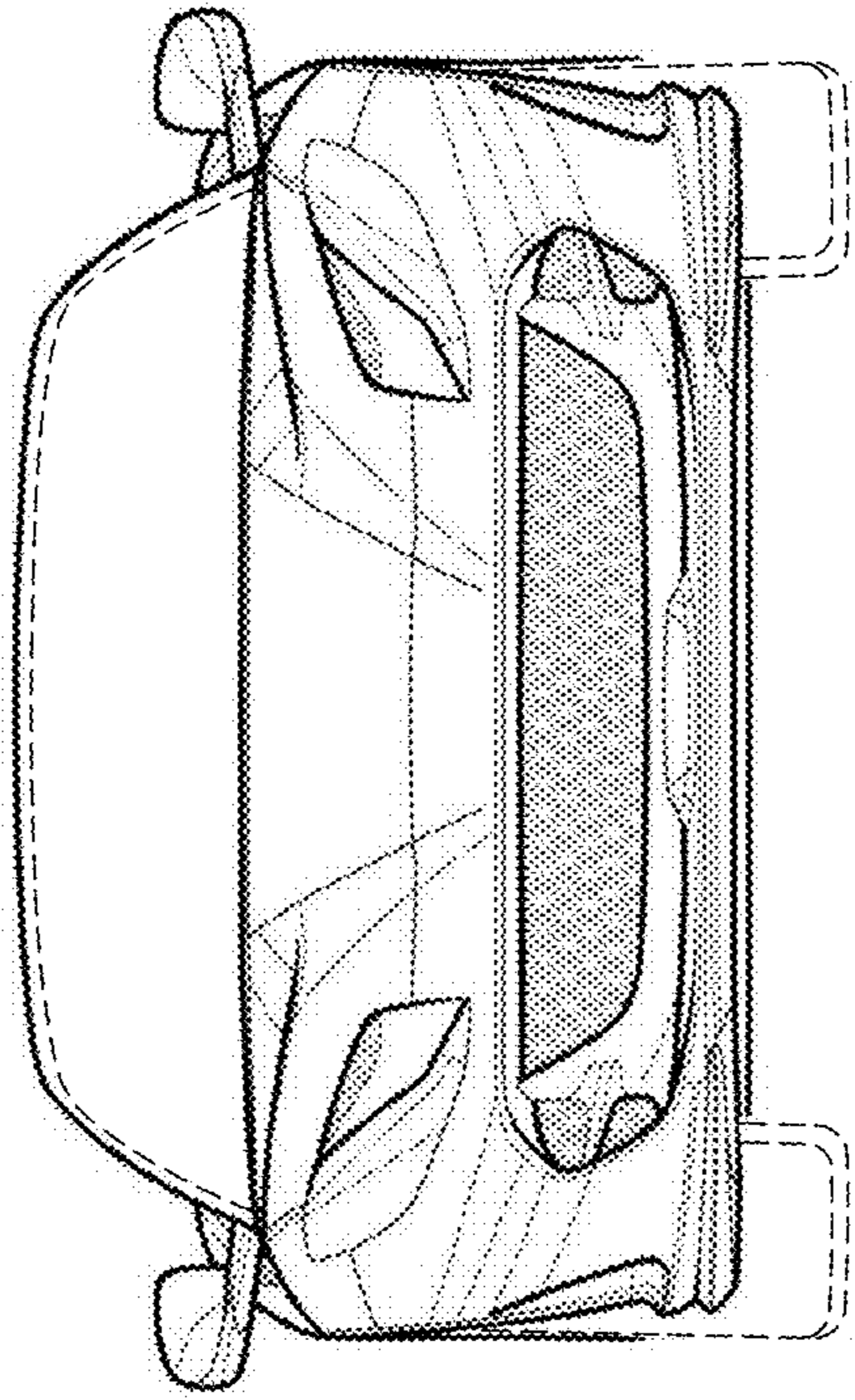




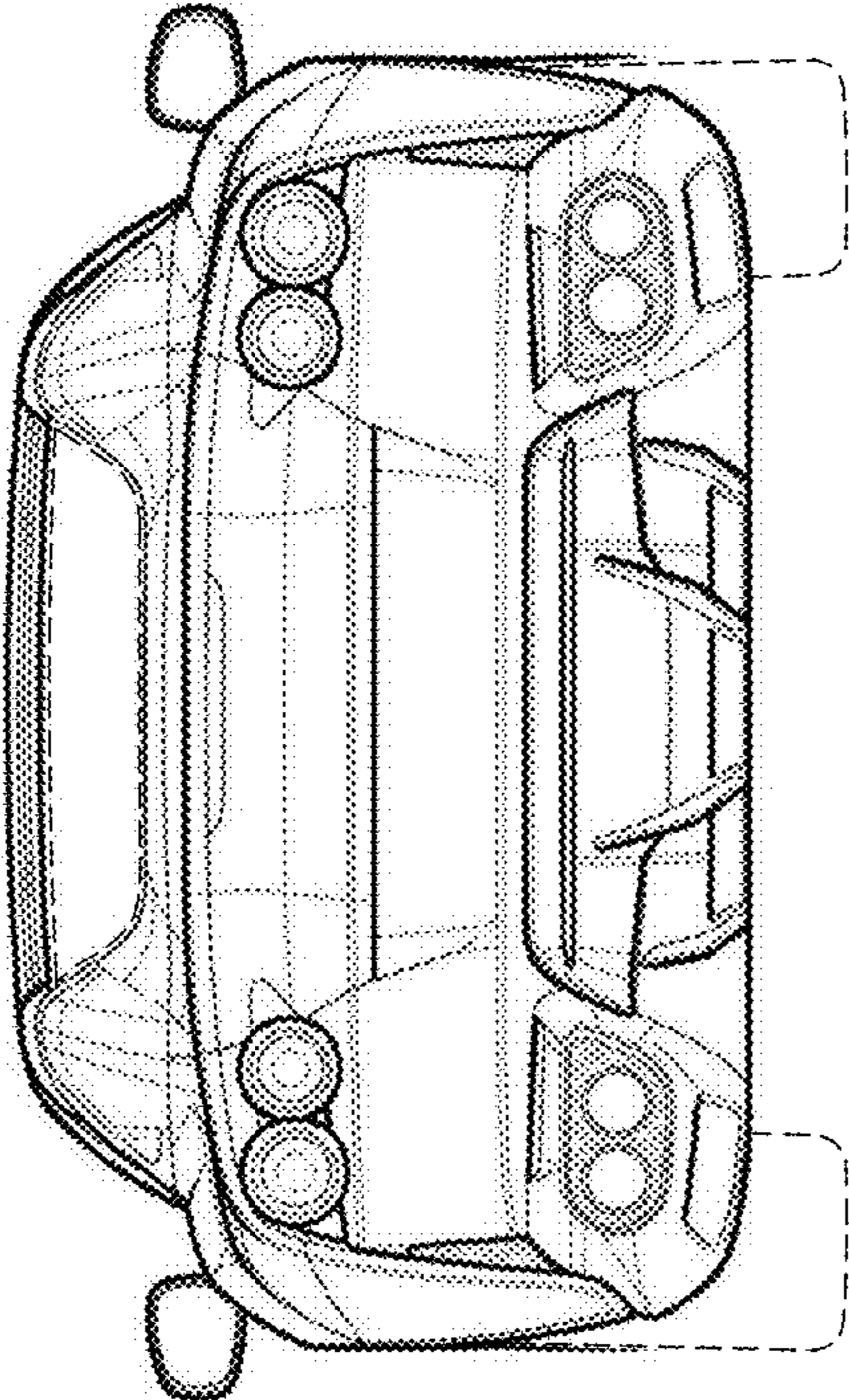
1.1



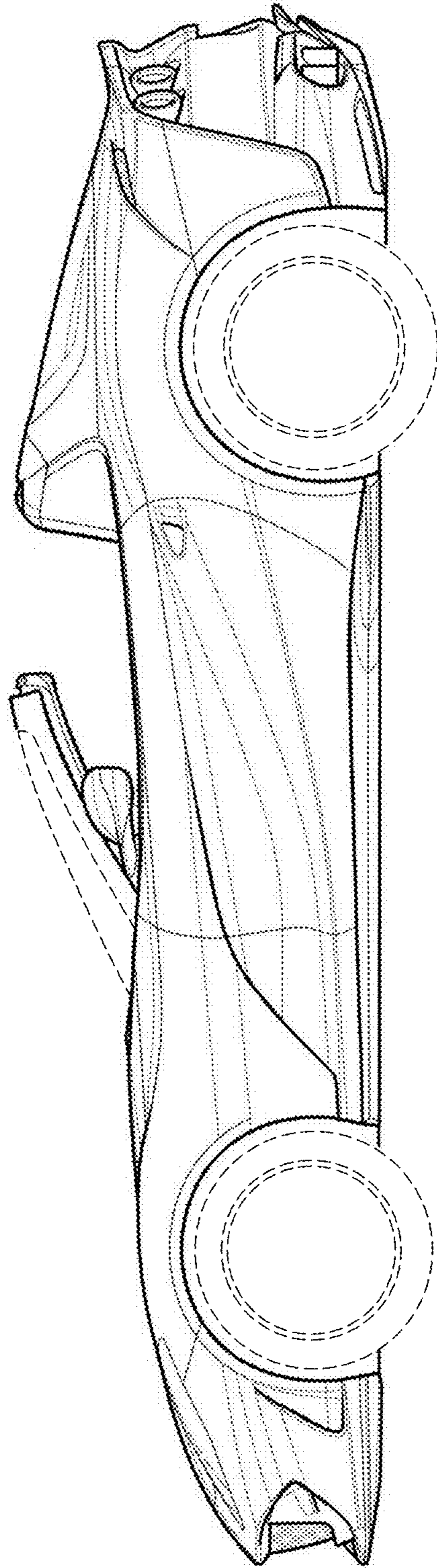
1.2



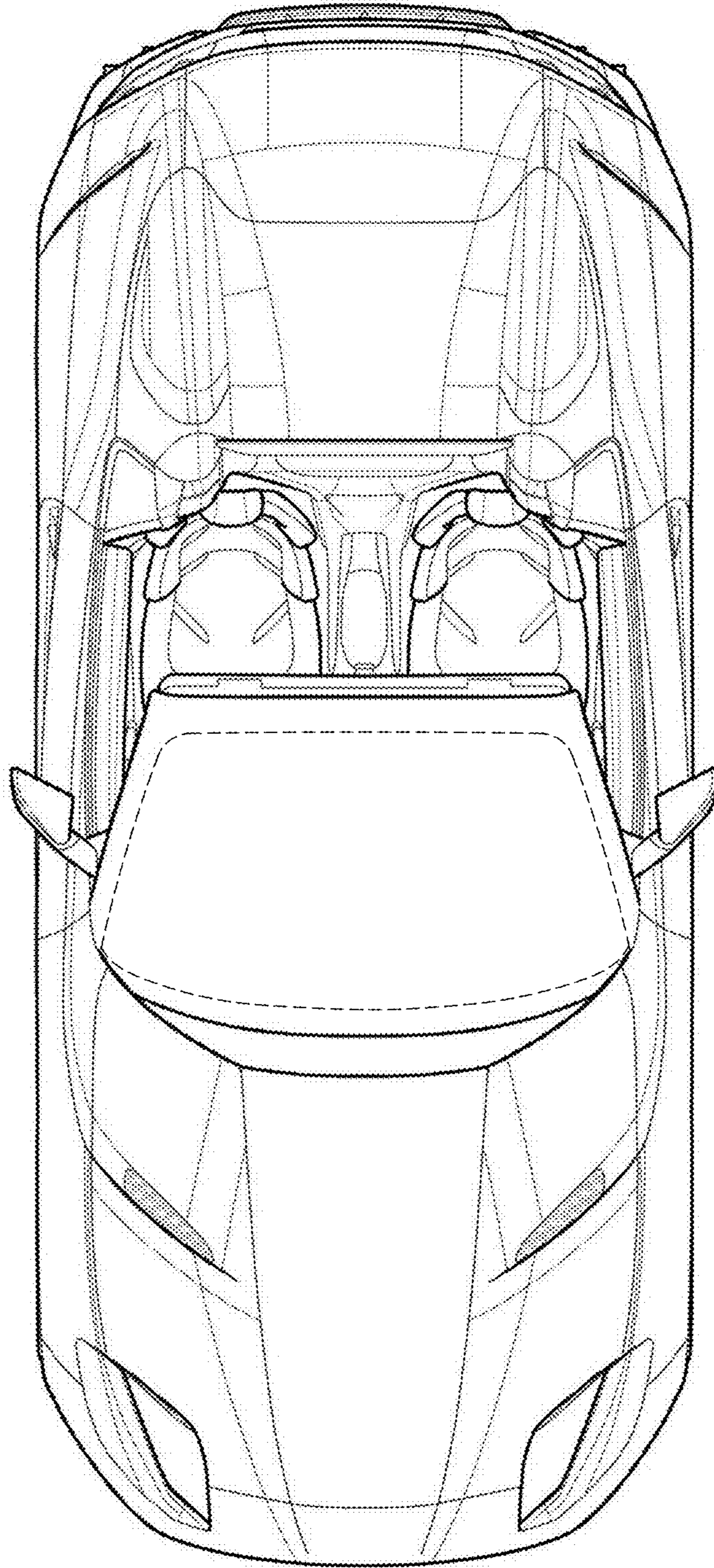
1.3



1.4



1.5



1.6