

US00D957544S

(12) **United States Design Patent**
Klein

(10) **Patent No.:** **US D957,544 S**

(45) **Date of Patent:** **** Jul. 12, 2022**

(54) **TOY**
(71) Applicant: **Theo Klein GmbH**, Ramberg (DE)
(72) Inventor: **Claus Dieter Klein**, Landau (DE)
(73) Assignee: **Theo Klein GmbH**, Ramberg (DE)
(**) Term: **15 Years**

D409,261 S * 5/1999 Kelley A63H 18/00
D21/511
5,971,764 A * 10/1999 Todd G09B 25/08
434/126
D519,182 S * 4/2006 Sinchok D21/815
D554,202 S * 10/2007 Knight D21/509
D555,210 S * 11/2007 Knight D21/509
D555,211 S * 11/2007 Knight D21/509
7,927,176 B2 * 4/2011 Payne A63H 18/00
446/478

(21) Appl. No.: **35/510,670**

OTHER PUBLICATIONS

(22) Filed: **Oct. 16, 2020**

Klein Toys, Theo Klein—Werbespot—CAT Sand—und Wasser Spieltisch—Mega Set, Apr. 6, 2020, YouTube.com. Retrieved from the internet on Sep. 22, 2021 <URL: <https://www.youtube.com/watch?v=75XMiLCB3M4>> (Year: 2020).*

(80) **Hague Agreement Data**

Int. Filing Date: **Oct. 16, 2020**
Int. Reg. No.: **DM/210830**
Int. Reg. Date: **Oct. 16, 2020**
Int. Reg. Pub. Date: **Oct. 30, 2020**

* cited by examiner

Primary Examiner — Joseph Kukella

(74) *Attorney, Agent, or Firm* — McGlew and Tuttle, P.C.

(51) **LOC (13) Cl.** **21-01**

(52) **U.S. Cl.**
USPC **D21/506**

(57) **CLAIM**

The ornamental design for a toy, as shown and described.

(58) **Field of Classification Search**
USPC D21/472, 483–511, 815, 816; D25/113,
D25/114, 115, 118
CPC A63H 33/04; A63H 33/044; A63H 33/046;
A63H 33/048; A63H 33/062; A63H
33/067; A63H 33/08; A63H 33/10; A63H
33/101; A63H 33/103; A63H 33/105;
A63H 33/106–108
See application file for complete search history.

DESCRIPTION

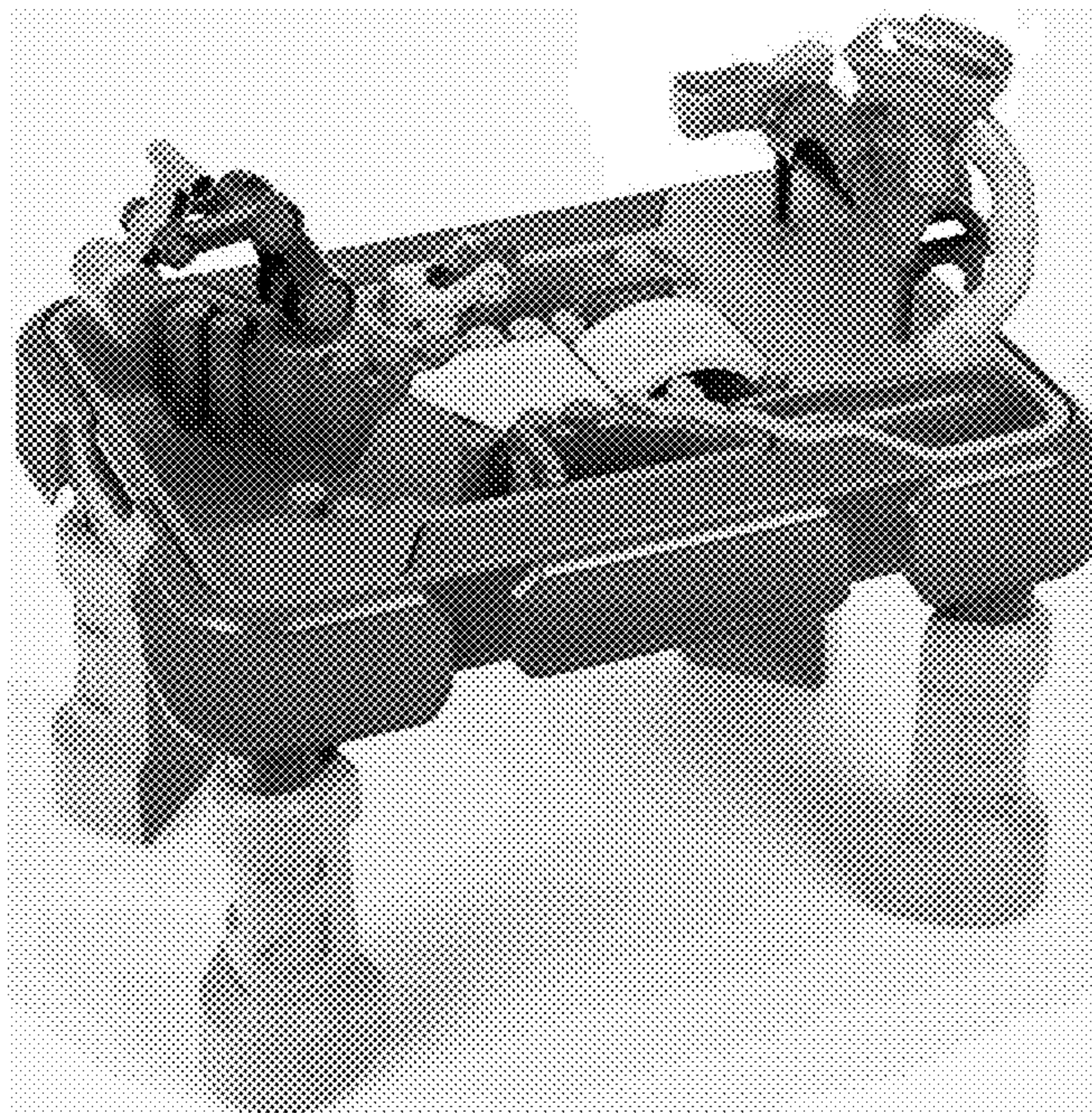
- 1. Toy
- 1.1 : Perspective
- 1.2 : Perspective
- 1.3 : Back
- 1.4 : Front
- 1.5 : Right
- 1.6 : Left
- 1.7 : Top
- 1.8 : Bottom
- 1.9 : Enlarged

(56) **References Cited**

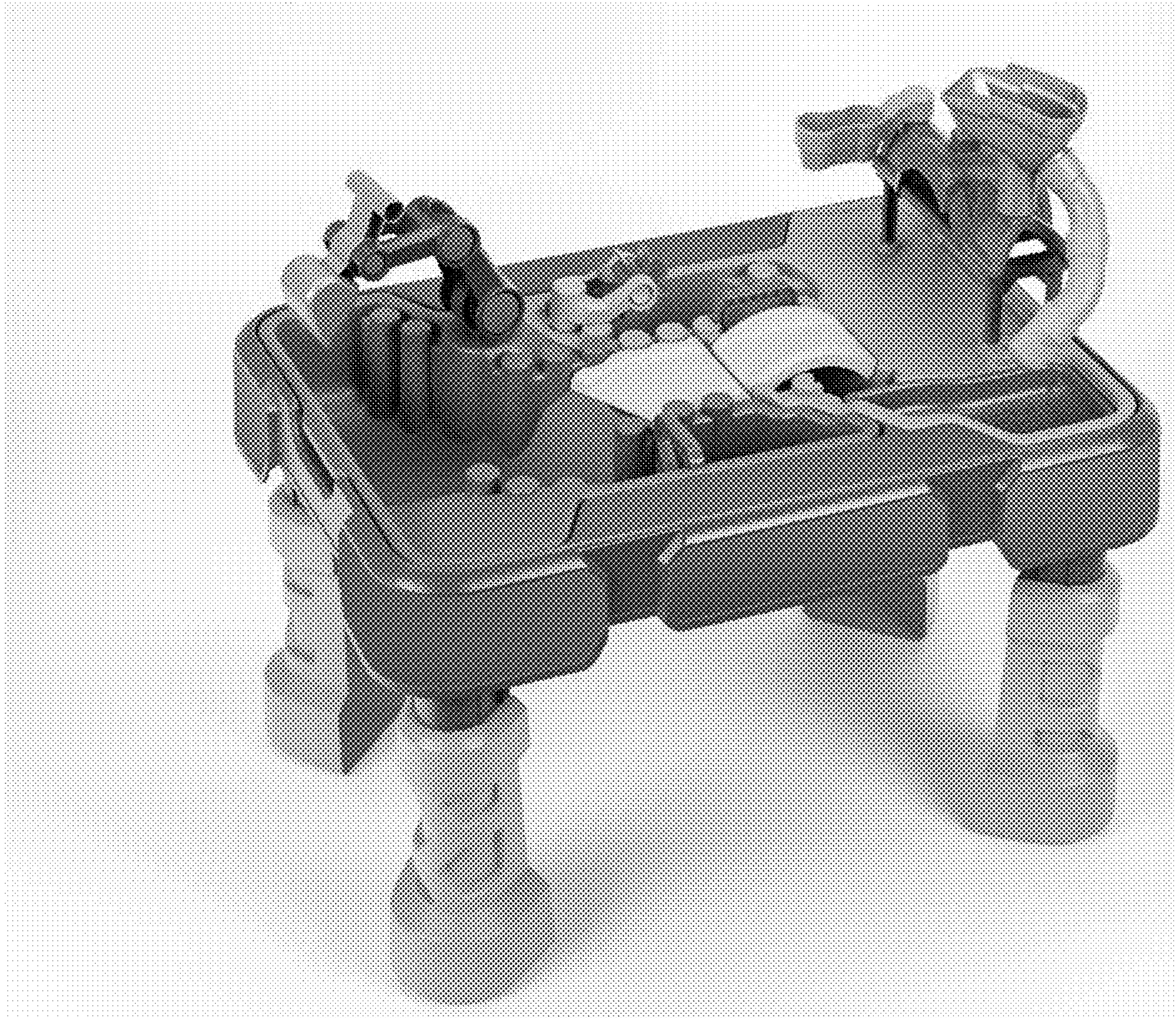
U.S. PATENT DOCUMENTS

D225,166 S * 11/1972 Spengler D21/509
D372,056 S * 7/1996 Norton D21/472

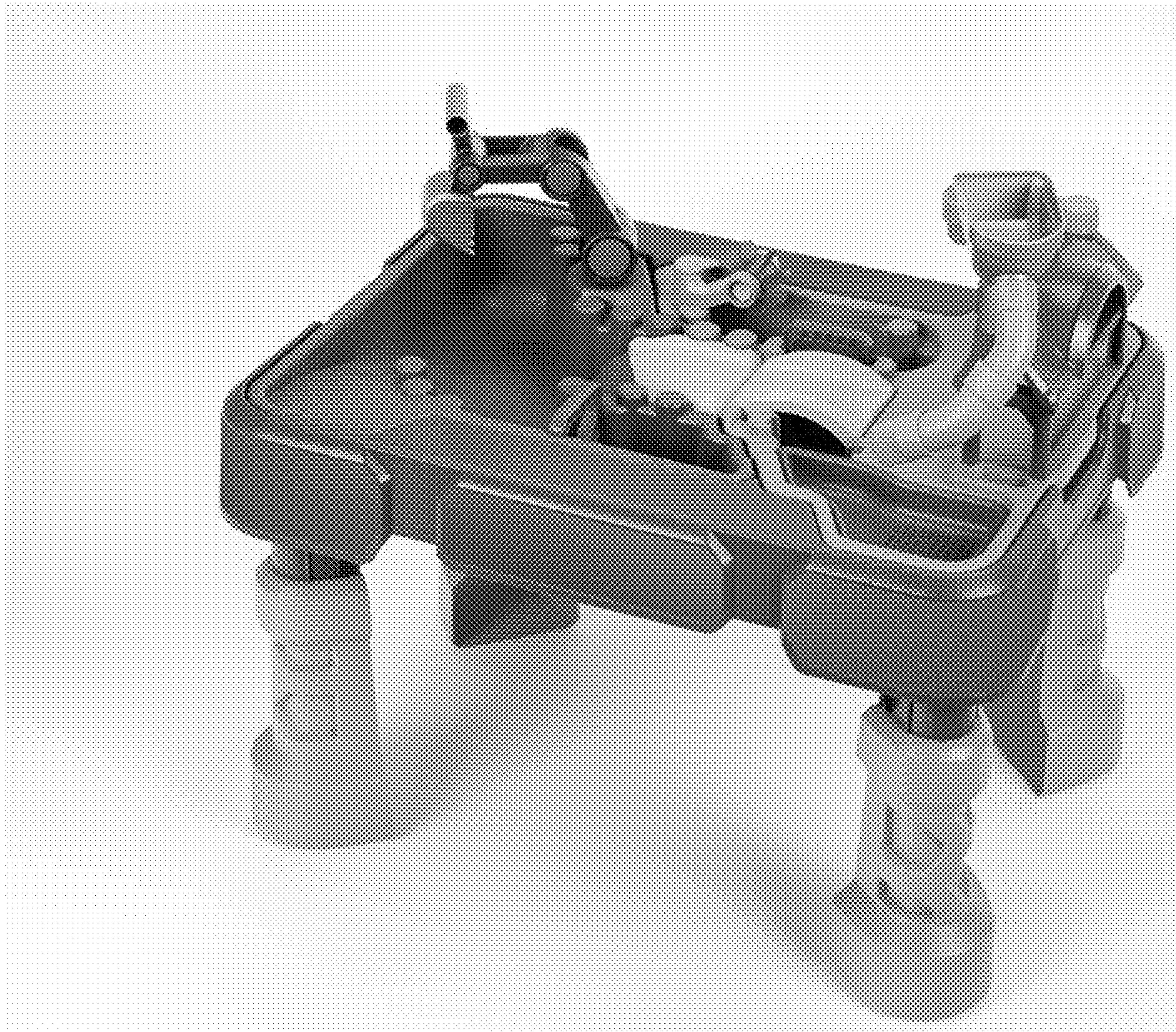
1 Claim, 9 Drawing Sheets



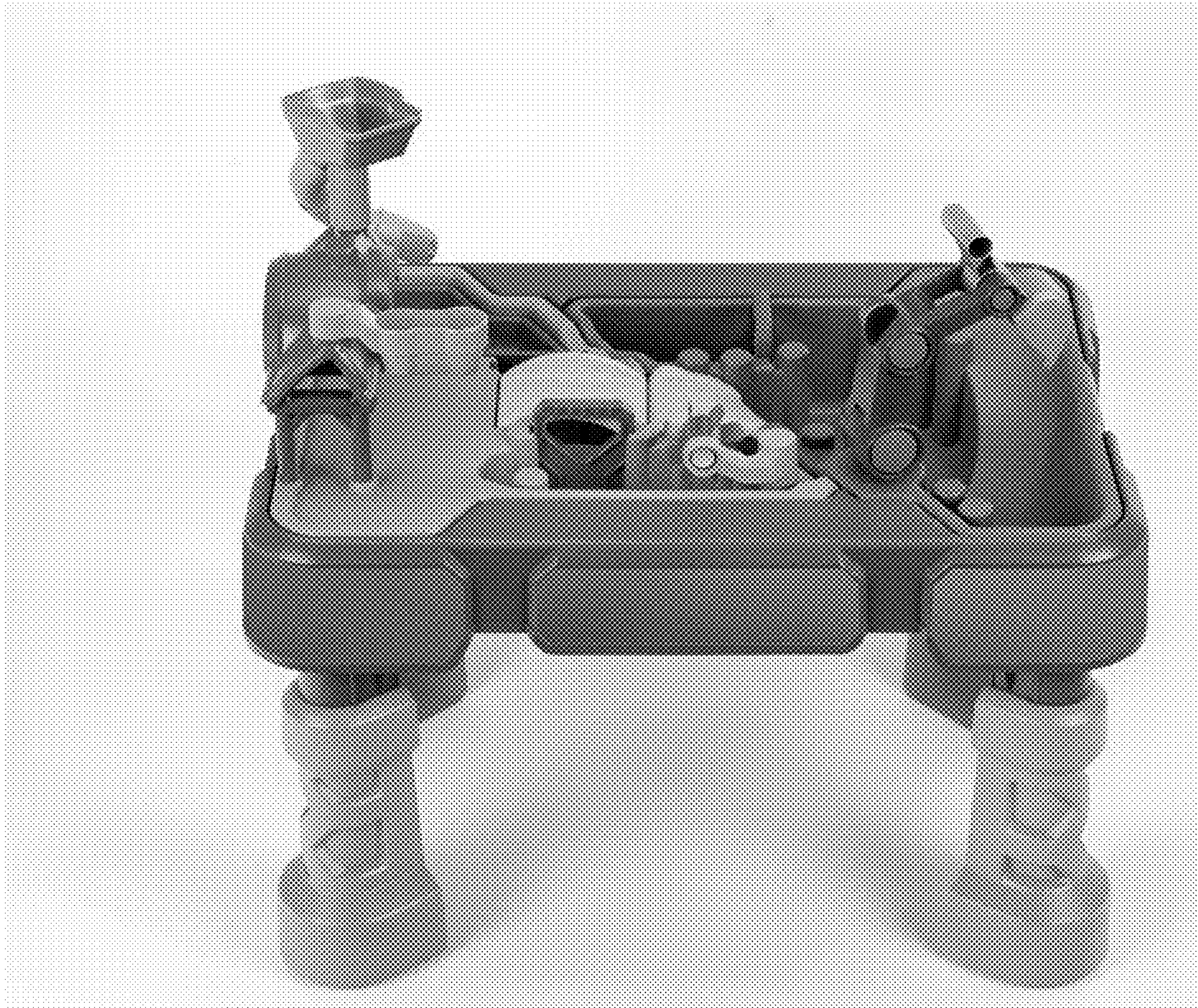
1.1



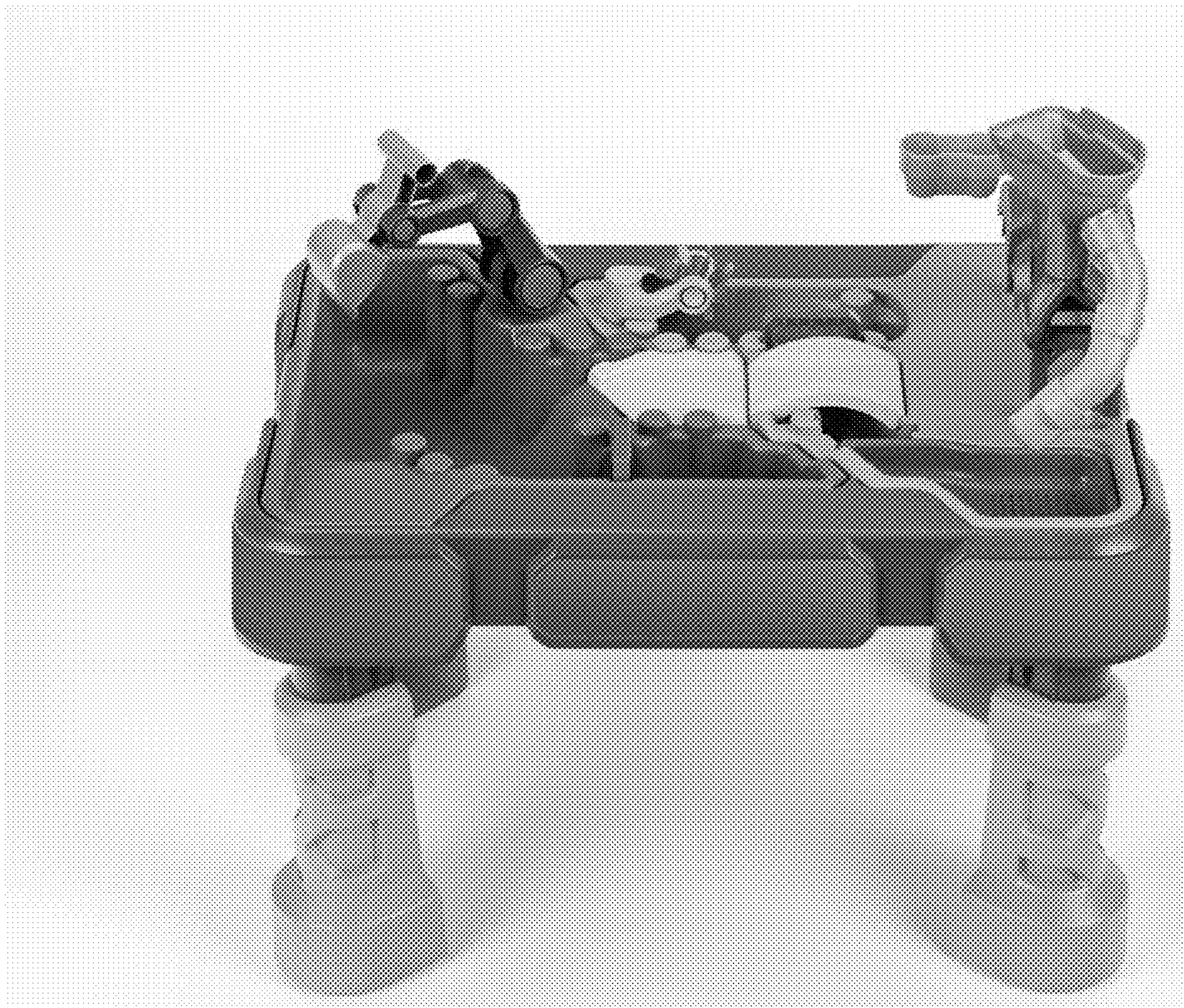
1.2



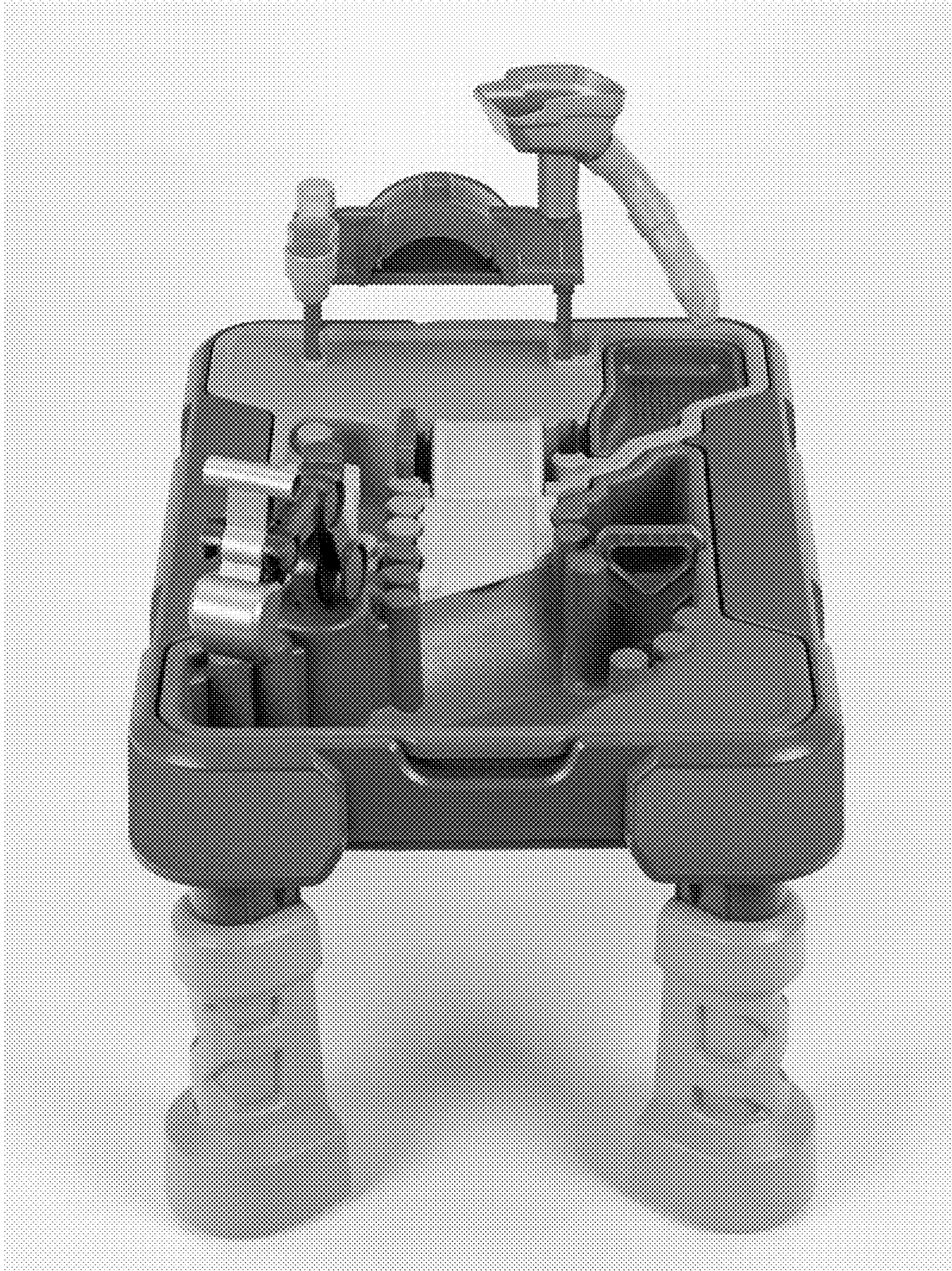
1.3



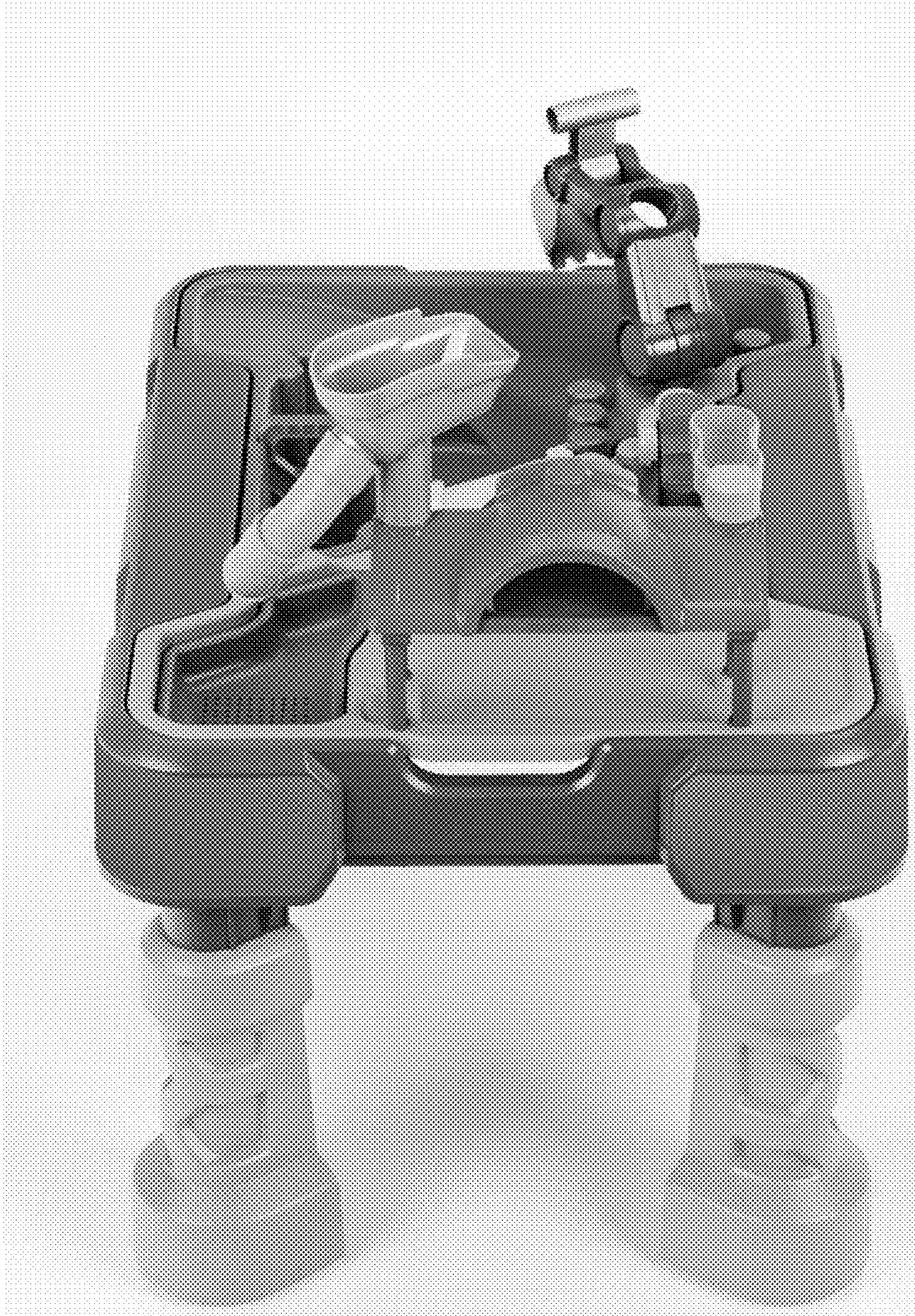
1.4



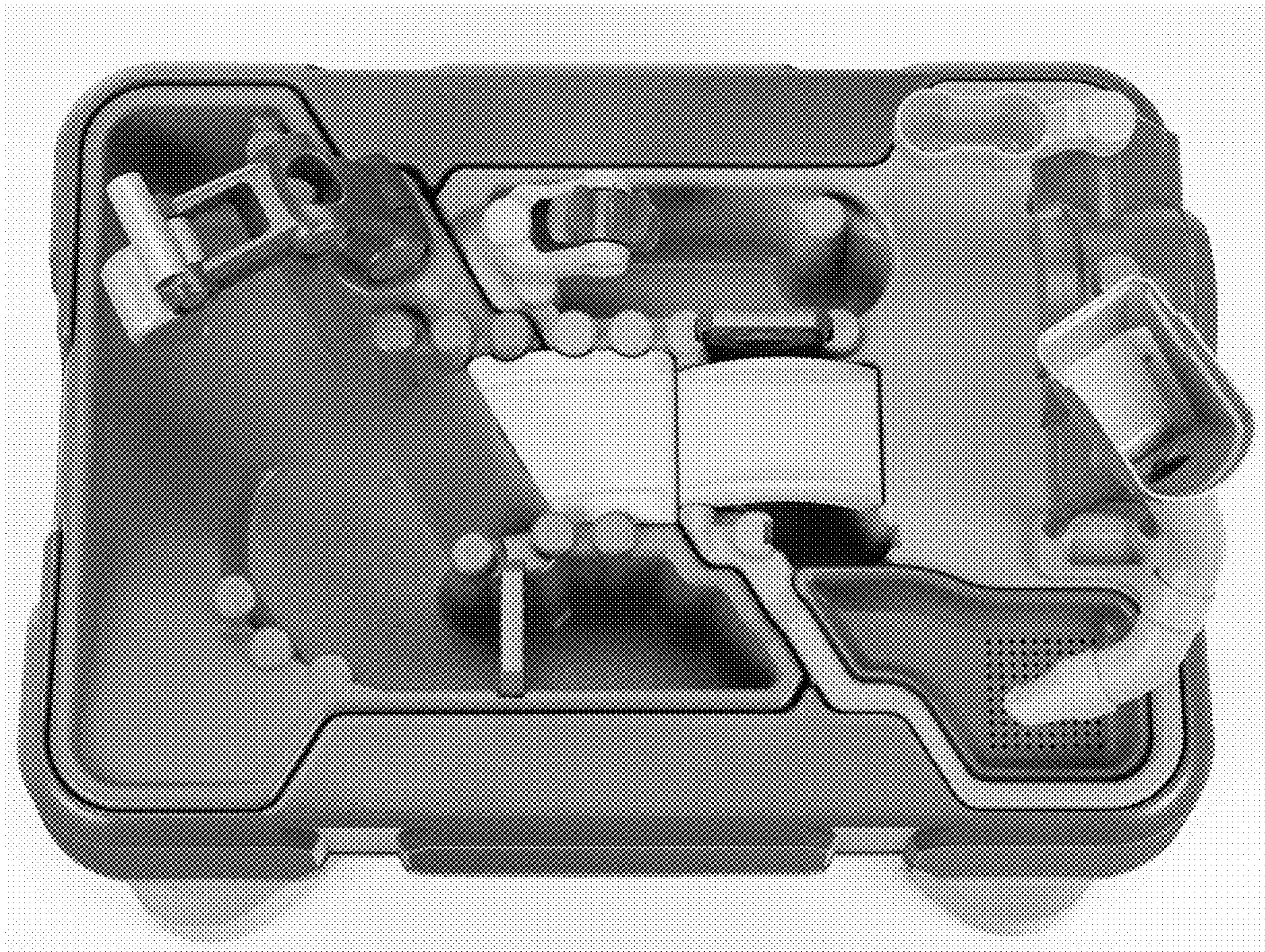
1.5



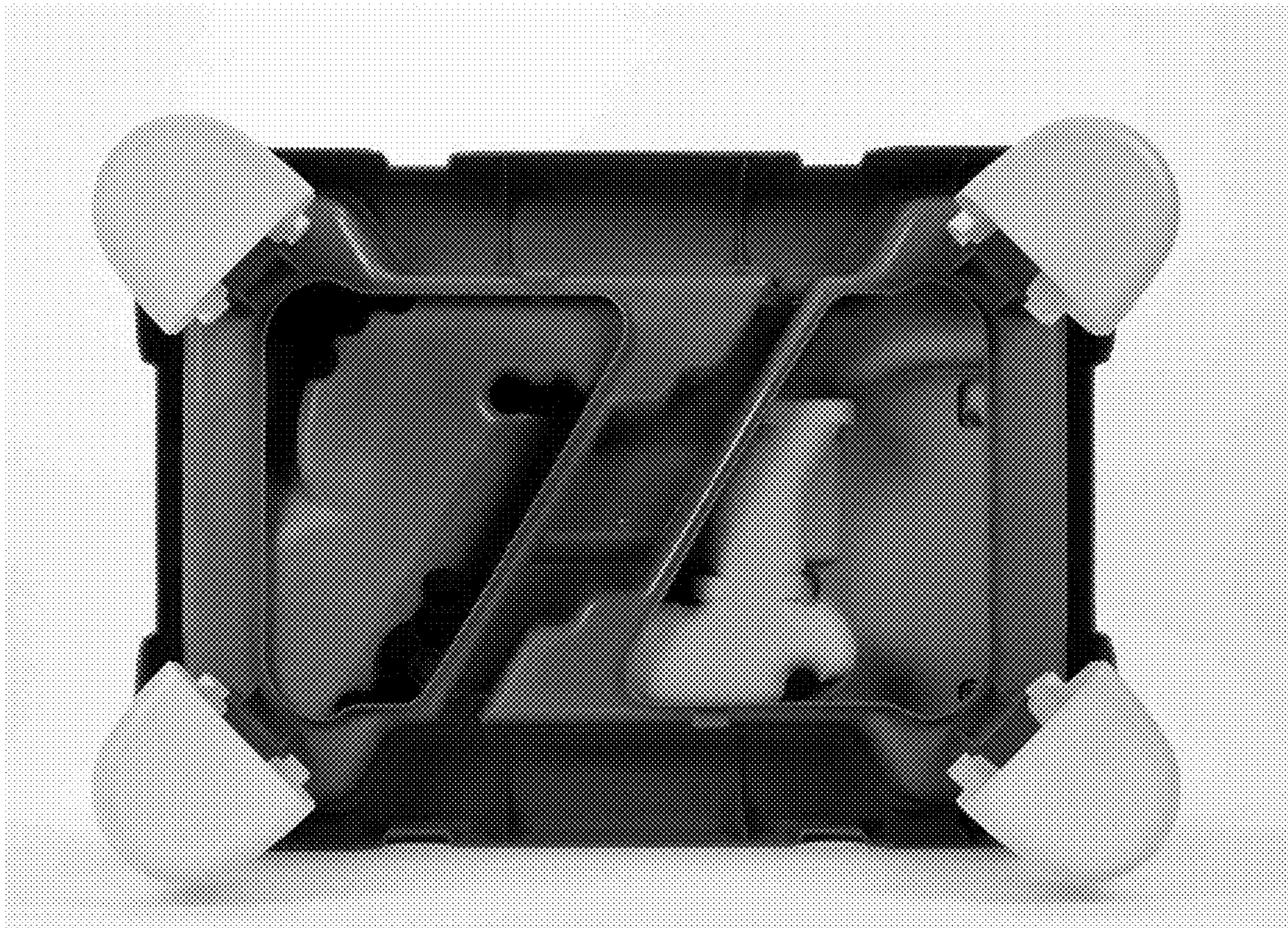
1.6



1.7



1.8



1.9

