



US00D957539S

(12) **United States Design Patent** (10) **Patent No.:** **US D957,539 S**  
**Okhrimenko et al.** (45) **Date of Patent:** **\*\* Jul. 12, 2022**

(54) **CONSTRUCTION ELEMENT**

(56) **References Cited**

(71) Applicant: **LIMITED LIABILITY COMPANY  
TRADE HOUSE  
"LYTAR-UKRAINE"**, Kyiv (UA)

U.S. PATENT DOCUMENTS

(72) Inventors: **Denys Okhrimenko**, Kyiv (UA); **Igor  
Liski**, Lugansk (UA); **Sergii  
Rudkovskiy**, Kyiv (UA)

3,412,502	A	*	11/1968	Riches .....	A63H 33/08 446/69
D394,465	S	*	5/1998	Schmidt .....	D21/501
D408,142	S	*	4/1999	Song .....	D3/282
D420,711	S	*	2/2000	Glickman .....	D21/503
D467,288	S	*	12/2002	Sorensen .....	D21/500
D616,046	S	*	5/2010	Hwang .....	D21/501
D625,367	S	*	10/2010	Shoui .....	D21/385
D718,392	S	*	11/2014	Weiss .....	D21/500
D718,393	S	*	11/2014	Weiss .....	D21/500
D769,986	S	*	10/2016	Timg .....	D21/500
D848,542	S	*	5/2019	Pestel .....	A63H 33/08 D21/503
D902,307	S	*	11/2020	Phongsuwan .....	D19/85
D905,177	S	*	12/2020	Orrantia Coppel .....	D21/500

(73) Assignee: **LIMITED LIABILITY COMPANY  
"TRADE HOUSE  
"LYTAR-UKRAINE"**, Kyiv (UA)

(\*\*) Term: **15 Years**

(21) Appl. No.: **35/510,907**

(22) Filed: **Nov. 4, 2020**

(80) **Hague Agreement Data**

Int. Filing Date: **Nov. 4, 2020**  
Int. Reg. No.: **DM/211513**  
Int. Reg. Date: **Nov. 4, 2020**  
Int. Reg. Pub. Date: **Dec. 11, 2020**

\* cited by examiner

*Primary Examiner* — Joseph Kukella  
(74) *Attorney, Agent, or Firm* — Nadya Reingand; Yan  
Hankin

(51) **LOC (13) Cl.** ..... **21-01**

(52) **U.S. Cl.**  
USPC ..... **D21/484**

(58) **Field of Classification Search**  
USPC ..... D21/483–505; D25/113, 114, 115, 118  
CPC .... A63H 33/04; A63H 33/044; A63H 33/046;  
A63H 33/048; A63H 33/062; A63H  
33/067; A63H 33/08; A63H 33/10; A63H  
33/101; A63H 33/103; A63H 33/105–108  
See application file for complete search history.

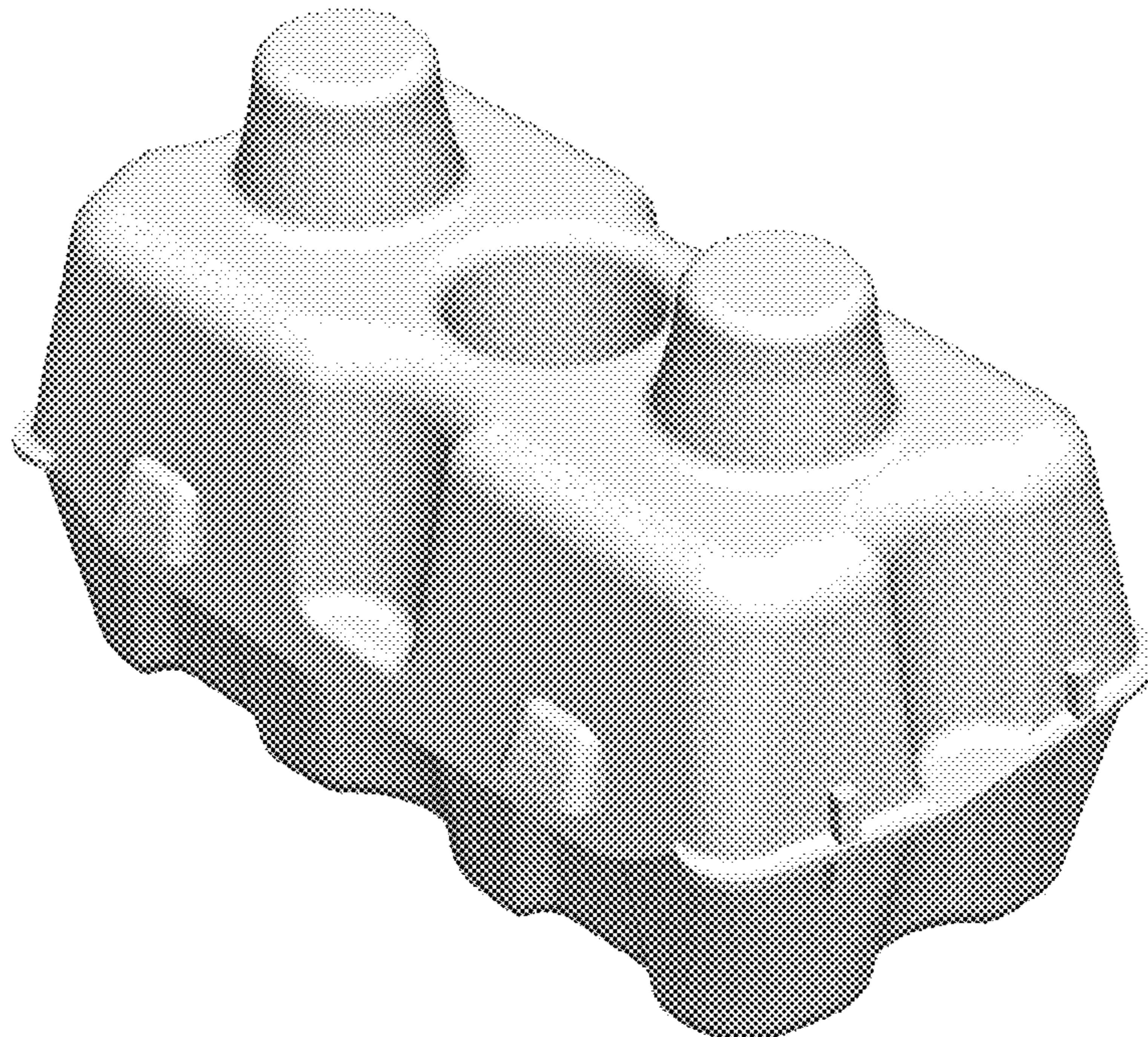
(57) **CLAIM**

The ornamental design for a construction element, as shown  
and described.

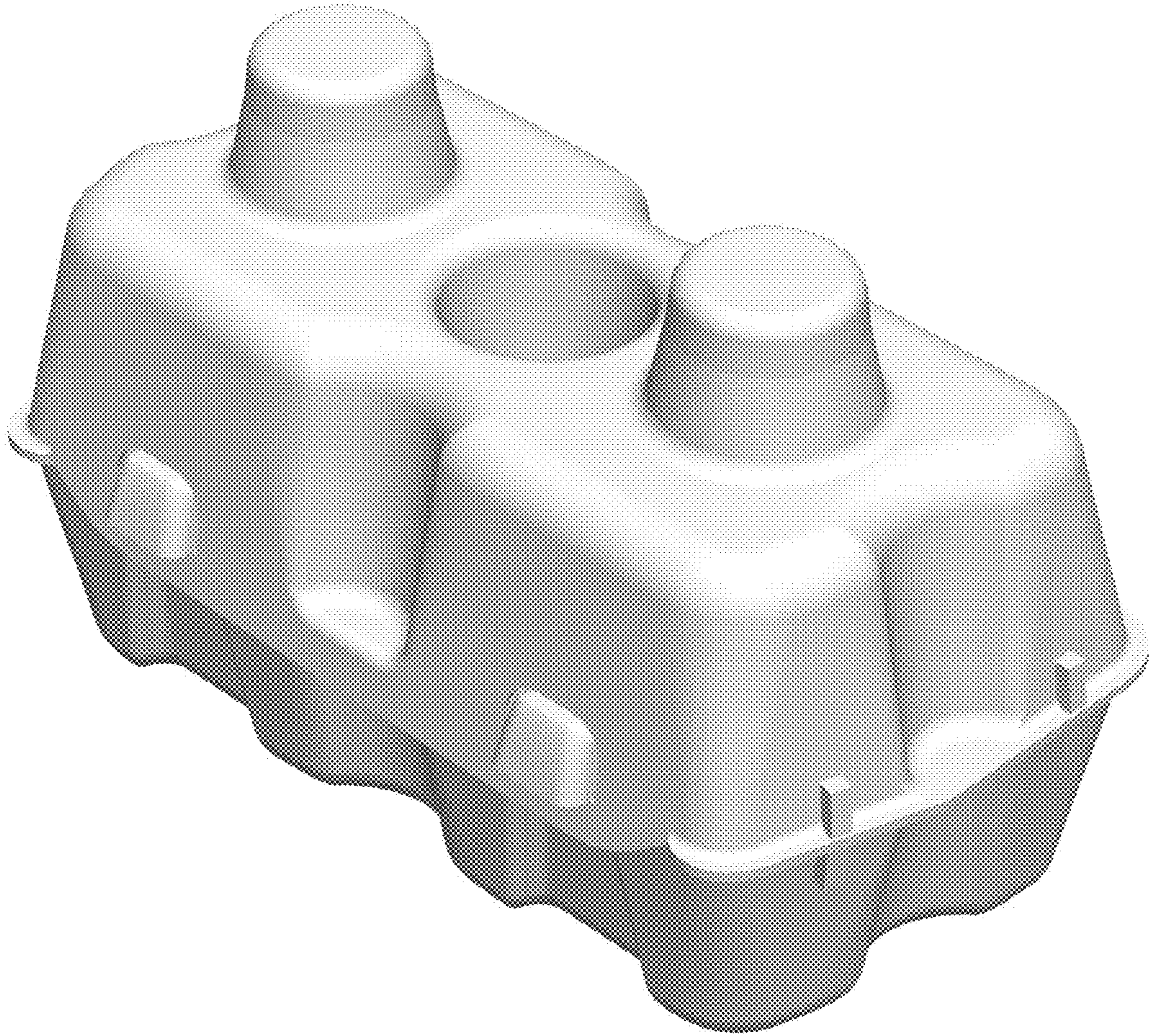
**DESCRIPTION**

1. Construction interlocking brick for the toy building set
  - 1.1 : Perspective
  - 1.2 : Top
  - 1.3 : Front
  - 1.4 : Bottom
  - 1.5 : Back
  - 1.6 : Right

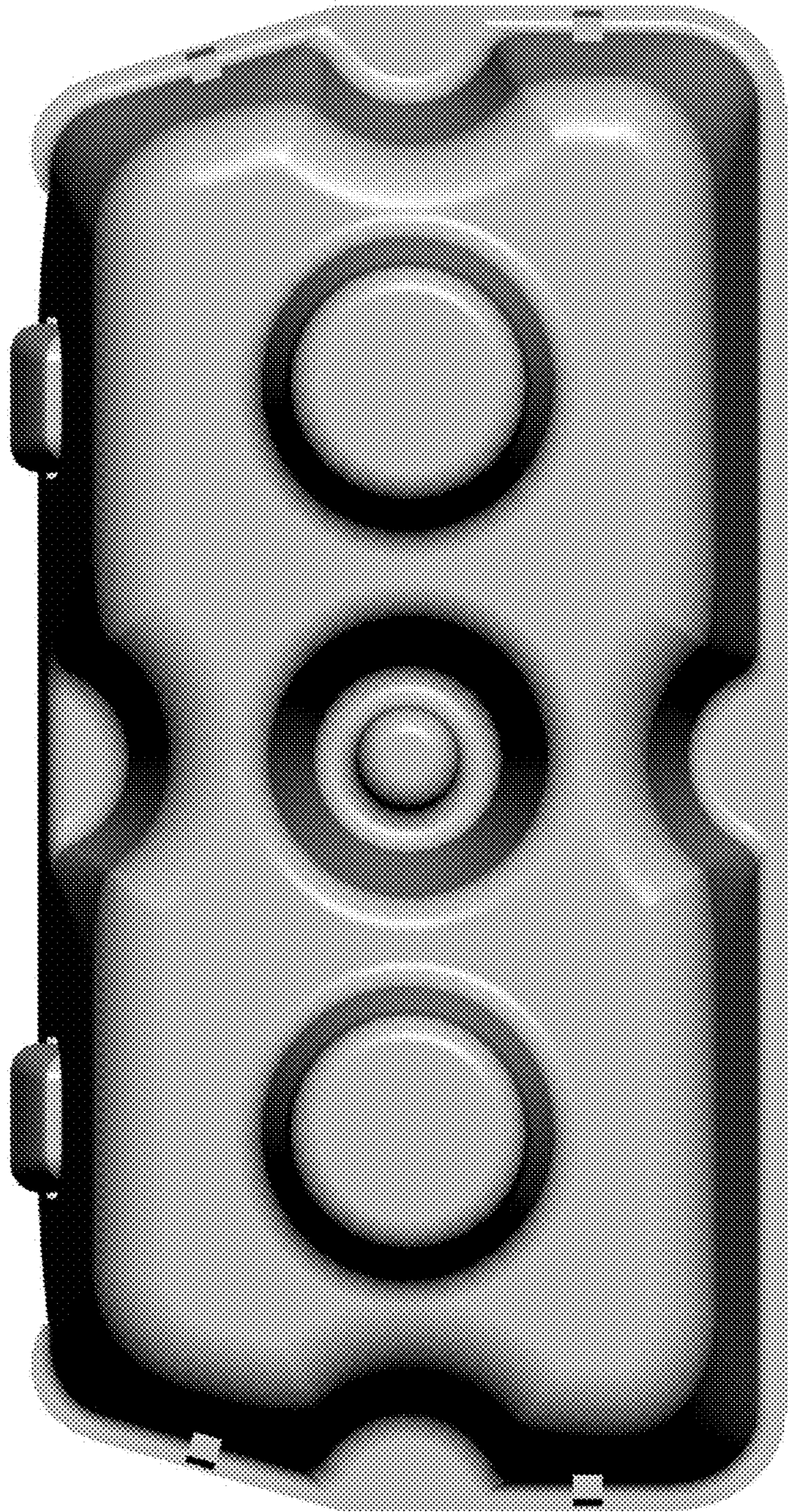
**1 Claim, 6 Drawing Sheets**



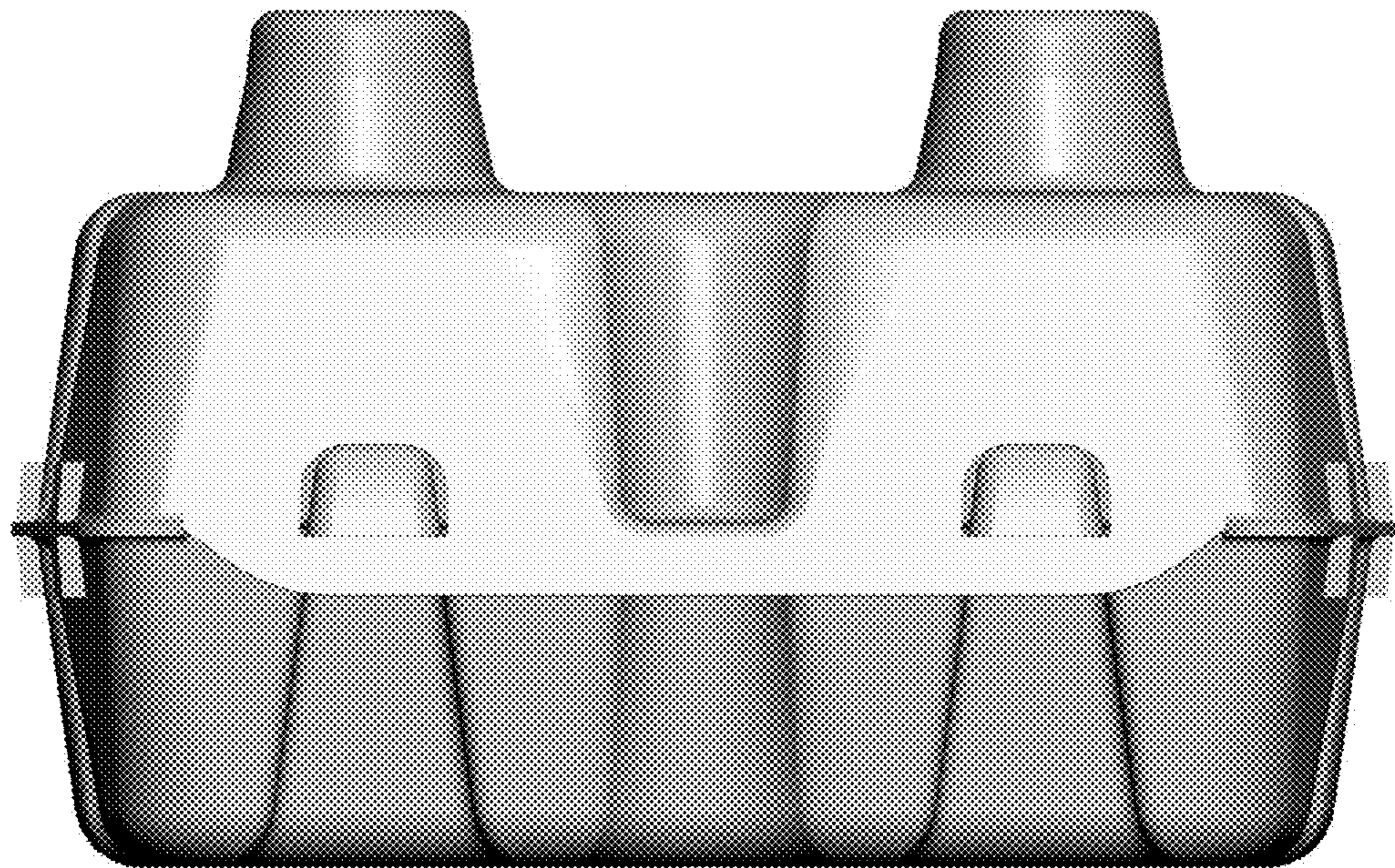
1.1



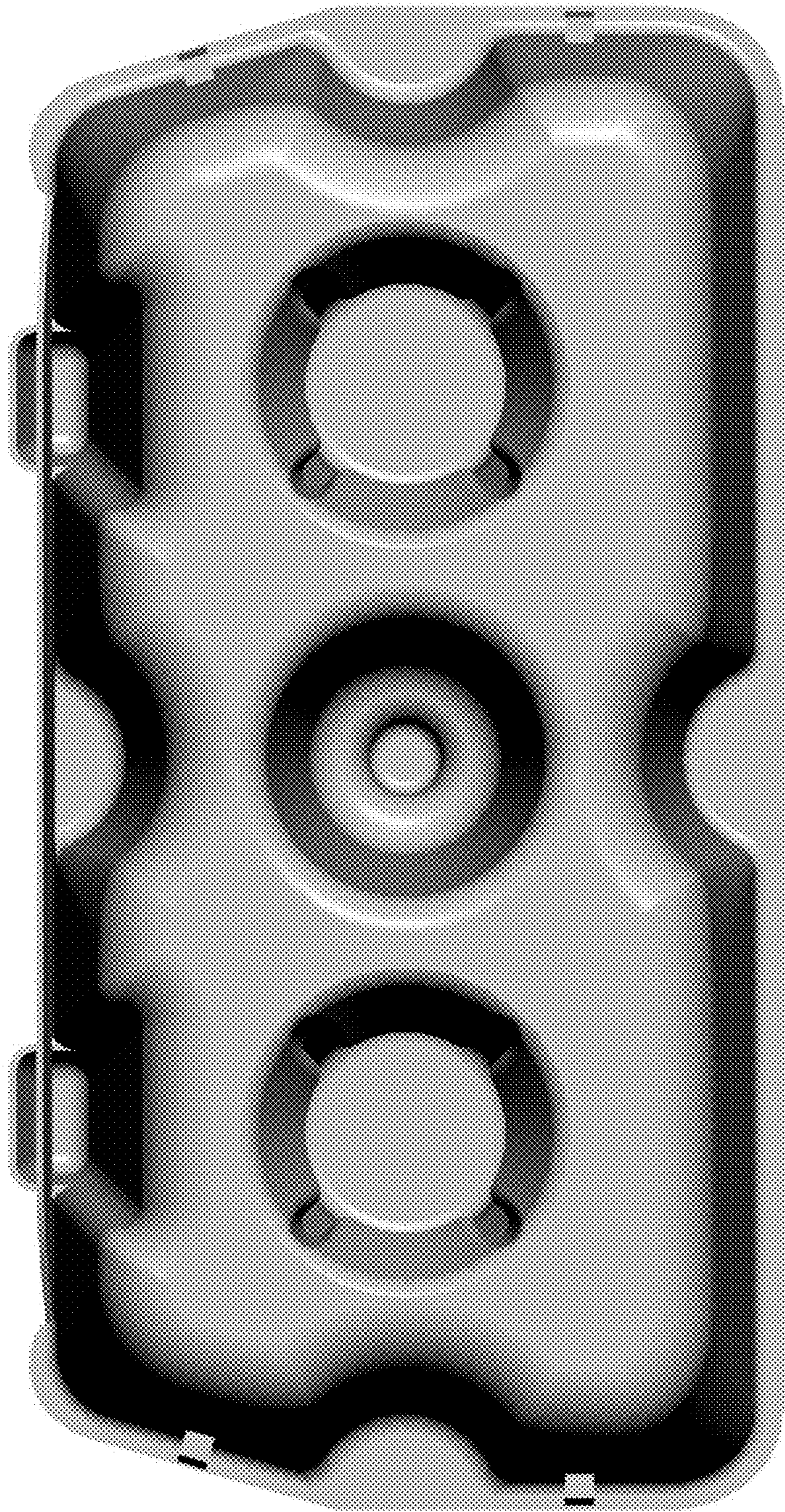
1.2



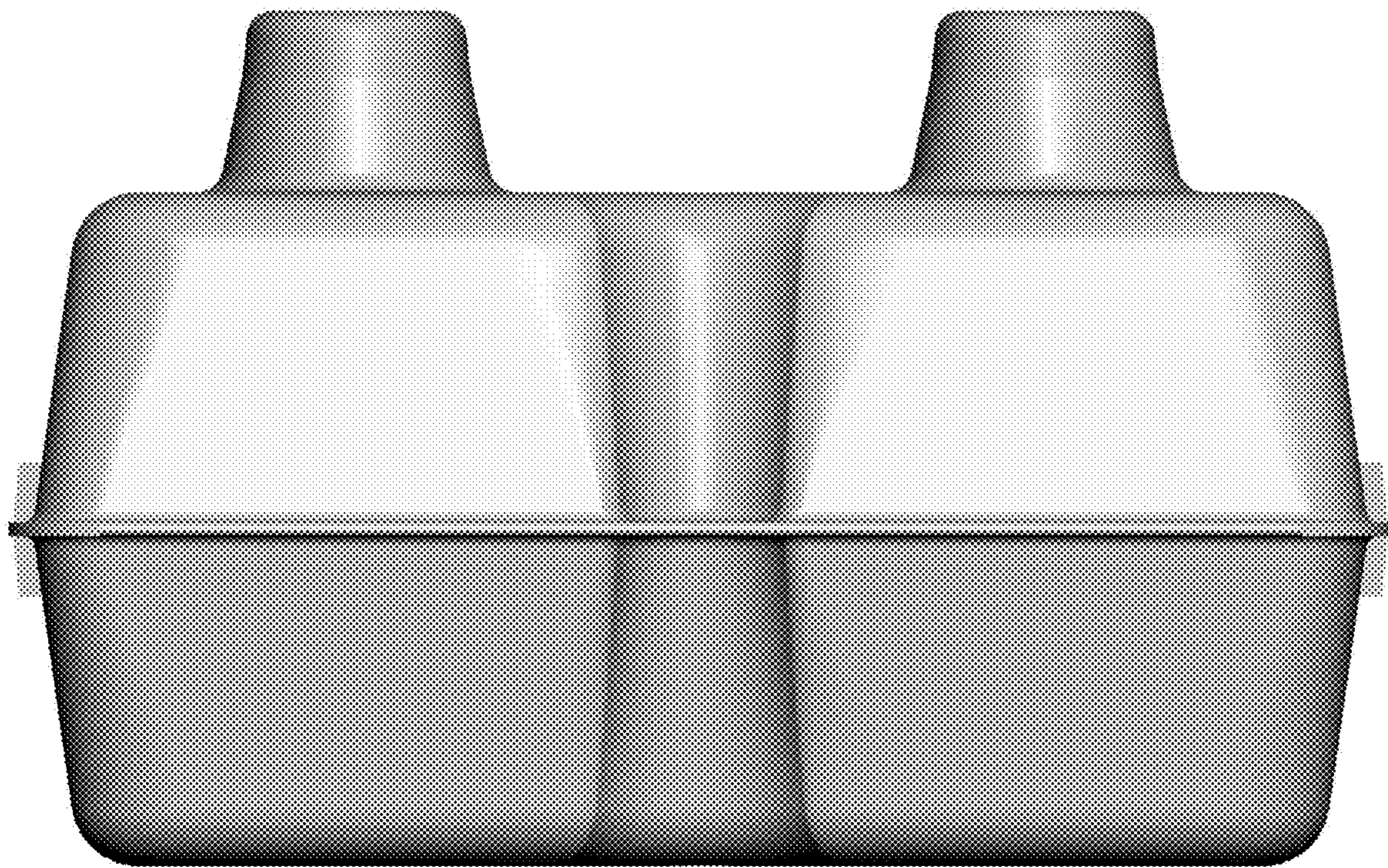
1.3



1.4



1.5



1.6

