



US00D957538S

(12) **United States Design Patent**
Chen

(10) **Patent No.:** **US D957,538 S**

(45) **Date of Patent:** **** Jul. 12, 2022**

(54) **TOY CAKE**

(71) Applicant: **Bo Chen**, Guangdong (CN)

(72) Inventor: **Bo Chen**, Guangdong (CN)

(73) Assignee: **Shantou P&C Plastic Products Company Limited**, Shantou (CN)

(**) Term: **15 Years**

(21) Appl. No.: **29/689,932**

(22) Filed: **May 3, 2019**

(30) **Foreign Application Priority Data**

Dec. 27, 2018 (CN) 201830759515.9

(51) **LOC (13) Cl.** **21-01**

(52) **U.S. Cl.**
USPC **D21/483**

(58) **Field of Classification Search**
USPC D21/401, 483, 496
CPC A63H 33/00; A63H 33/28; A63H 33/30;
A63H 5/00
See application file for complete search history.

(56) **References Cited**

U.S. PATENT DOCUMENTS

D103,394 S * 3/1937 Frei, Jr. D26/96
D157,043 S * 1/1950 Gruber et al. D1/129

5,372,533 A * 12/1994 Sujack A63H 33/3055
446/85
D419,206 S * 1/2000 Wei D21/483
7,698,841 B1 * 4/2010 Vivat A63H 13/005
446/345
D871,508 S * 12/2019 Lo D21/483
2010/0159797 A1 * 6/2010 Huang A63H 33/22
446/242

* cited by examiner

Primary Examiner — Cynthia M. Chin

(74) *Attorney, Agent, or Firm* — Minder Law Group;
Willy H. Wong

(57) **CLAIM**

The ornamental design for a toy cake, as shown and described.

DESCRIPTION

FIG. 1 is a front view of a toy cake in accordance with the present invention.

FIG. 2 is a back view thereof.

FIG. 3 is a left view thereof.

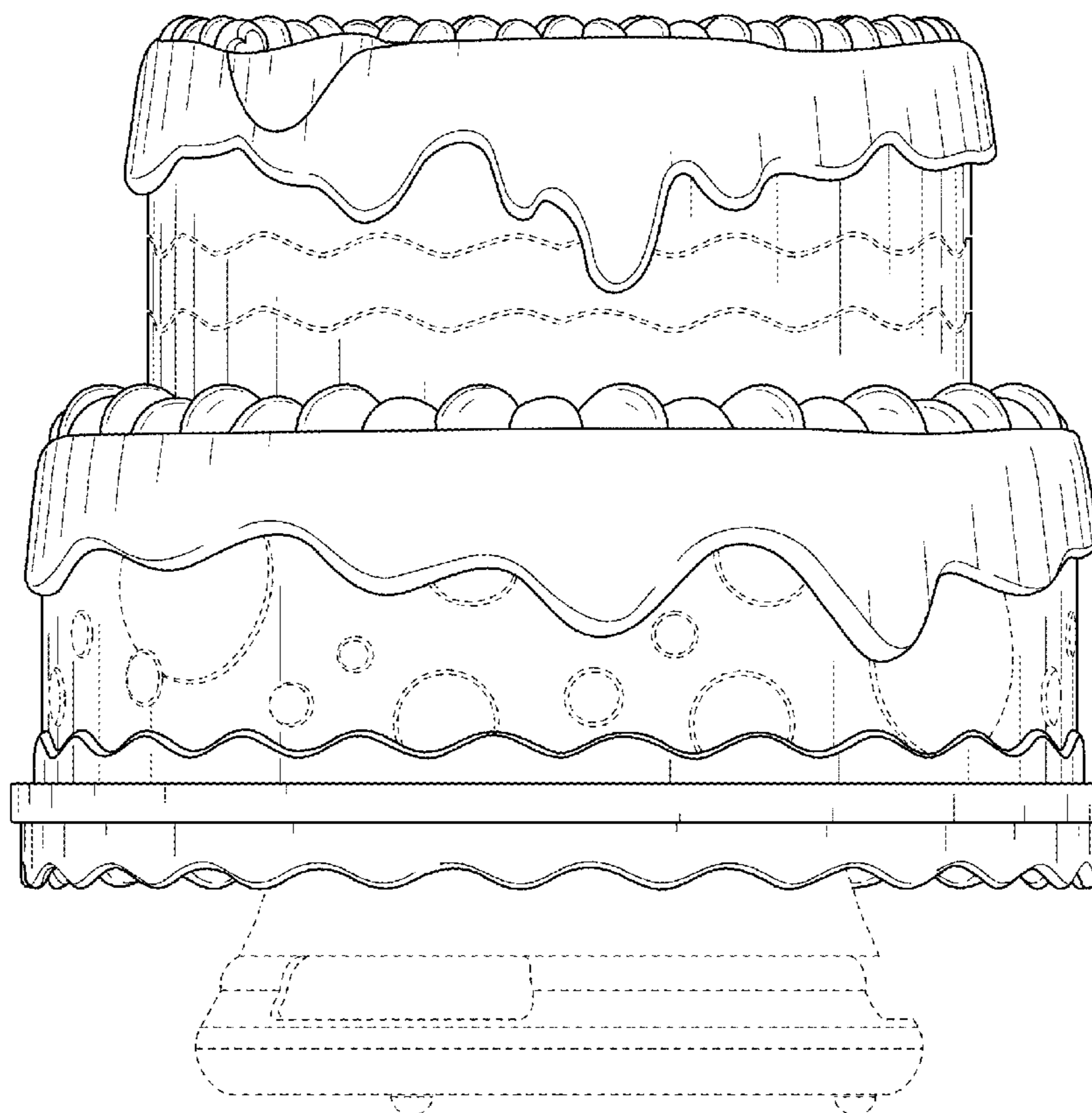
FIG. 4 is a right view thereof.

FIG. 5 is a top view thereof; and,

FIG. 6 is a bottom view thereof.

The broken lines show portions of the toy cake that form no part of the claimed design.

1 Claim, 6 Drawing Sheets



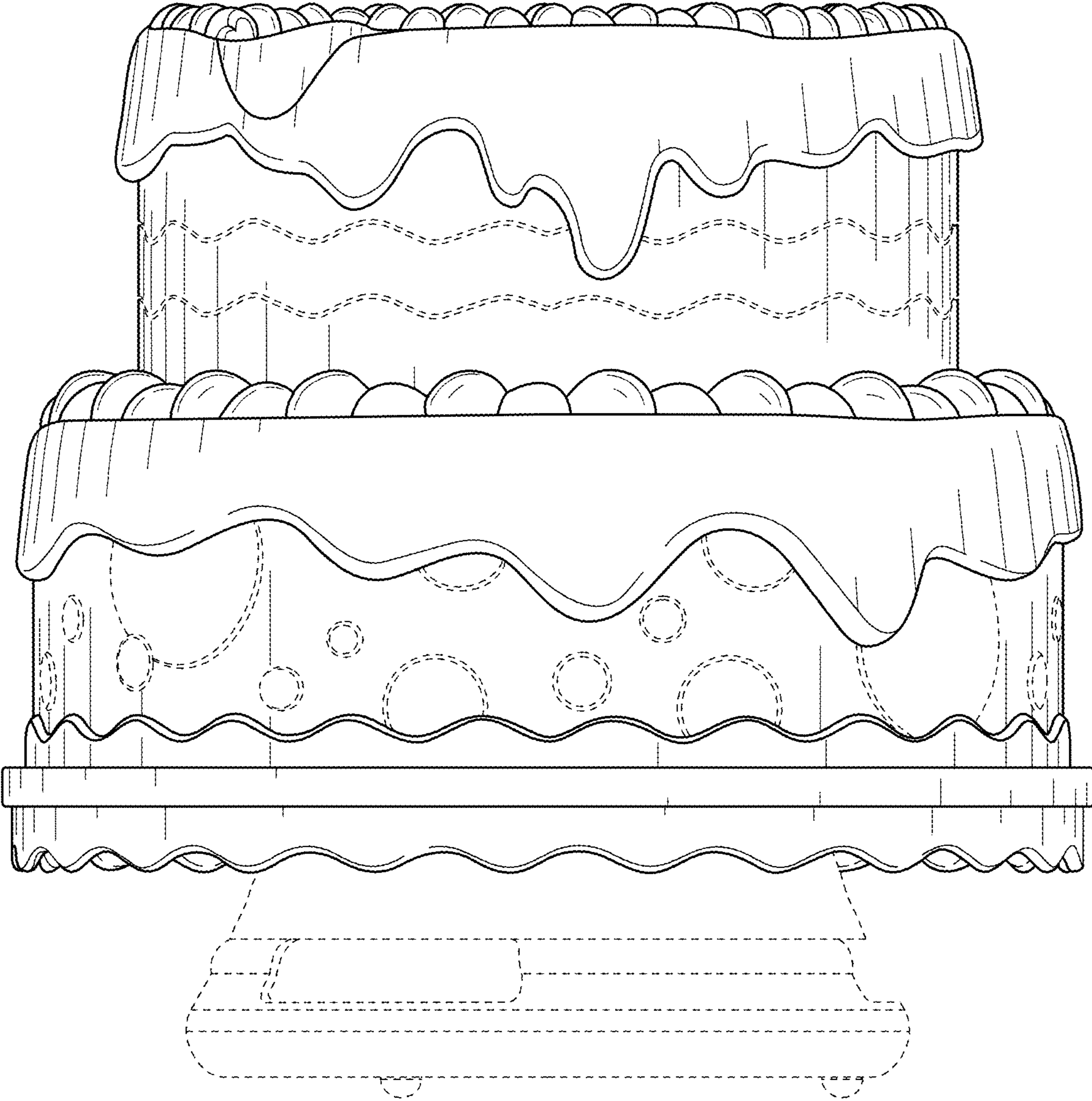


FIG. 1

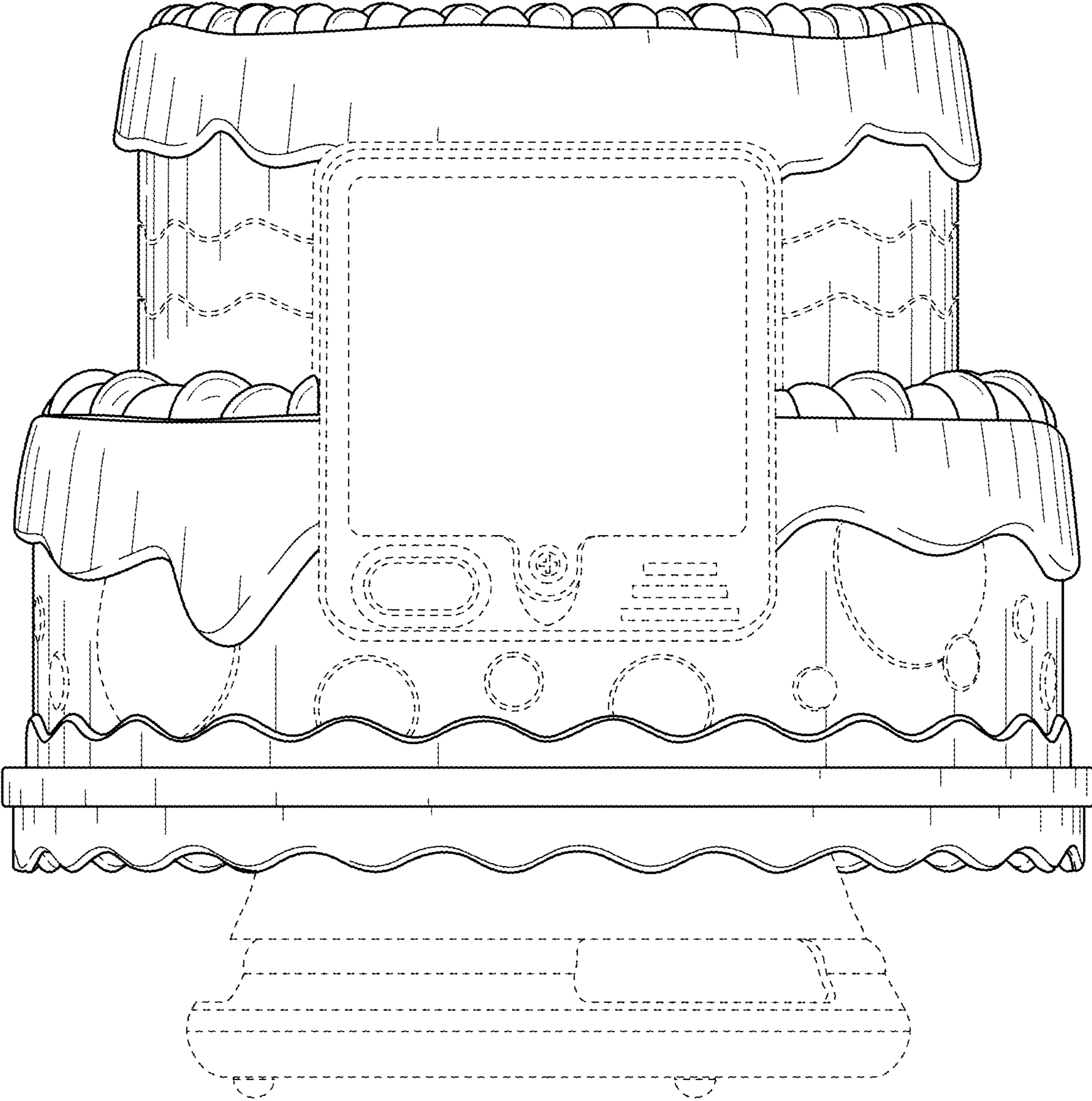


FIG. 2

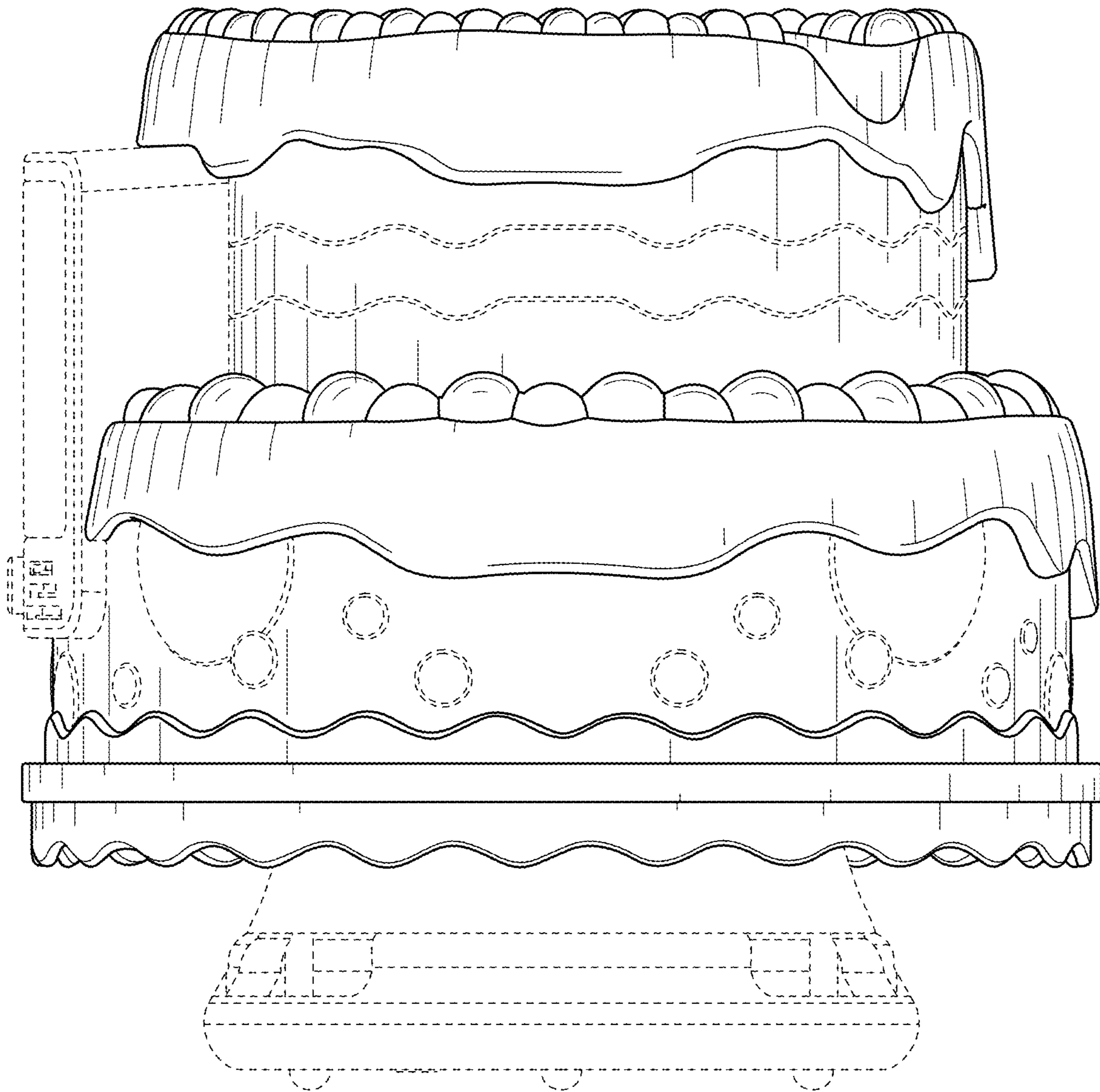


FIG. 3

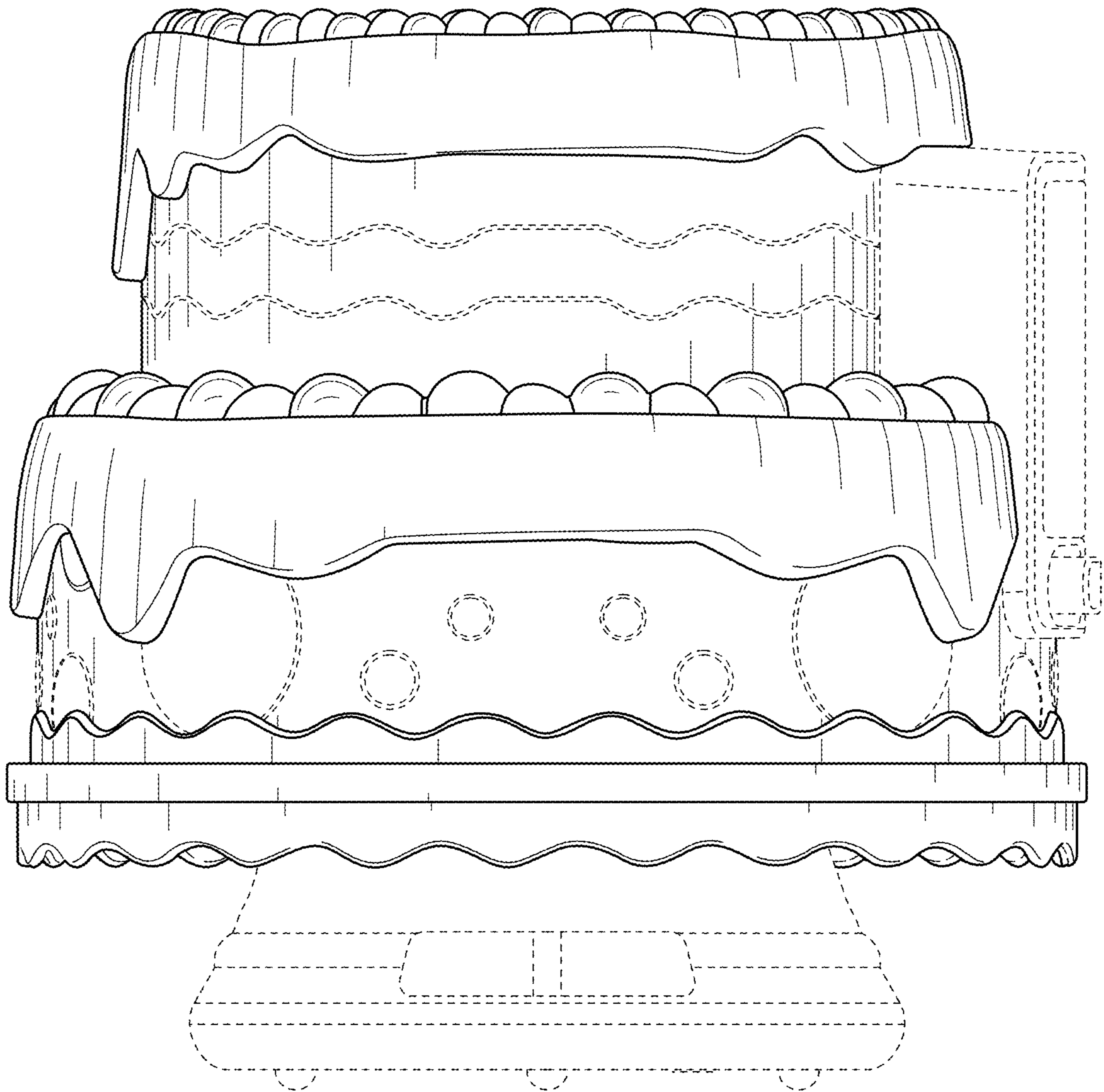


FIG. 4

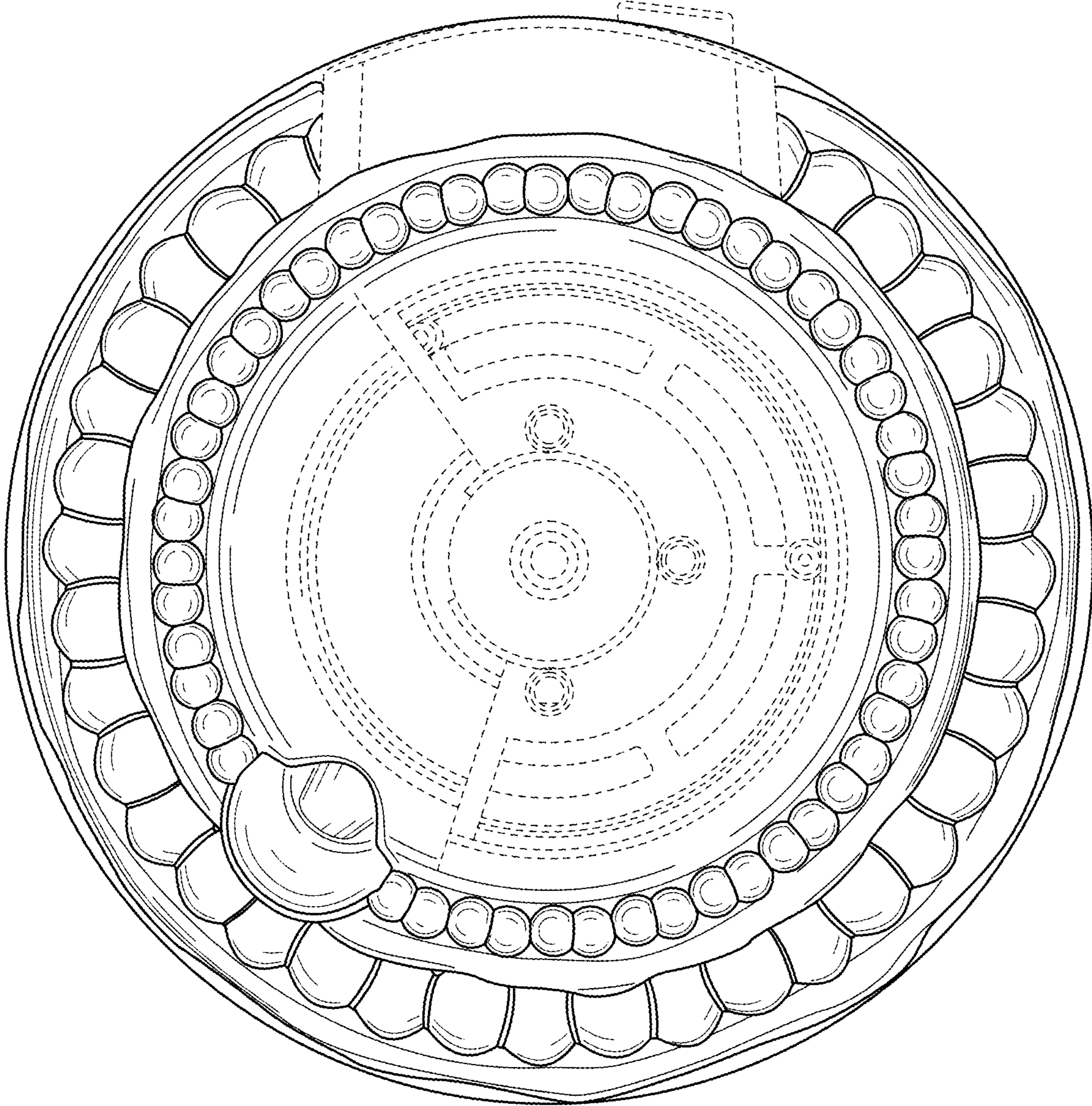


FIG. 5

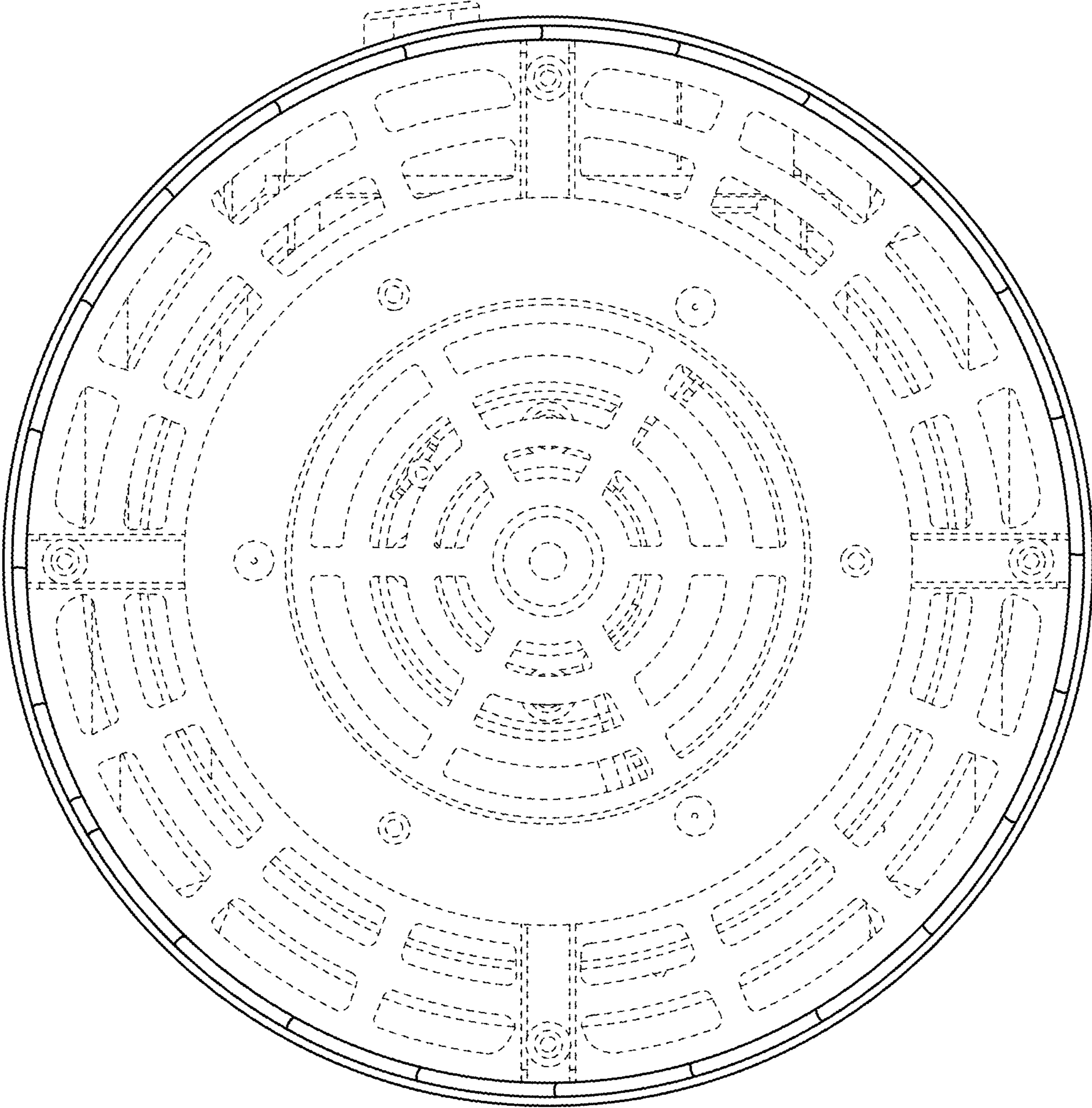


FIG. 6