



US00D957536S

(12) **United States Design Patent**  
**Zhang**

(10) **Patent No.:** **US D957,536 S**  
(45) **Date of Patent:** **\*\* Jul. 12, 2022**

(54) **EDUCATIONAL TOY**

(71) Applicant: **Jianhong Zhang**, Shantou (CN)

(72) Inventor: **Jianhong Zhang**, Shantou (CN)

(\*\*) Term: **15 Years**

(21) Appl. No.: **29/770,934**

(22) Filed: **Feb. 18, 2021**

(51) **LOC (13) Cl.** ..... **21-01**

(52) **U.S. Cl.**  
USPC ..... **D21/475; D21/410**

(58) **Field of Classification Search**  
USPC .... D21/325, 326, 327, 336, 341, 3, 42, 398,  
D21/419, 470, 410, 405, 408, 409, 468,  
D21/475, 337, 500, 589  
CPC .. G07F 17/3279; G07F 17/34; G07F 17/3262;  
G07F 17/3209; G07F 17/32; A63F 9/24;  
A63F 9/0243; A63F 9/30; A63F  
2011/0032; A63F 2250/14; A63F  
2009/2447; A63F 3/00643; A63F  
2009/0668; A63F 9/0666; A63F 9/00;  
A63F 9/06; A63F 9/001; A63F 9/1204;  
A63H 33/30; A63H 33/00; A63H 5/00;  
A63B 69/0053; G09B 1/36; G09B 1/28  
See application file for complete search history.

(56) **References Cited**

**U.S. PATENT DOCUMENTS**

|           |     |         |         |       |                        |
|-----------|-----|---------|---------|-------|------------------------|
| 1,291,202 | A * | 1/1919  | Siegel  | ..... | G10D 13/08<br>84/423 R |
| D224,936  | S * | 10/1972 | Green   | ..... | D21/410                |
| D277,877  | S * | 3/1985  | Chatani | ..... | D21/410                |
| 4,524,967 | A * | 6/1985  | Hanson  | ..... | A63F 9/30<br>273/273   |
| D281,180  | S * | 10/1985 | Ng      | ..... | D21/468                |
| D302,187  | S * | 7/1989  | Kato    | ..... | D21/541                |
| 5,095,468 | A * | 3/1992  | Sato    | ..... | G04C 21/02<br>368/72   |

|           |     |         |          |       |                         |
|-----------|-----|---------|----------|-------|-------------------------|
| D336,937  | S * | 6/1993  | Sato     | ..... | D21/531                 |
| D384,691  | S * | 10/1997 | Heuser   | ..... | 84/404                  |
| 5,674,103 | A * | 10/1997 | Bean     | ..... | A63F 9/0666<br>220/4.03 |
| D419,615  | S * | 1/2000  | Thomas   | ..... | D21/470                 |
| 6,132,281 | A * | 10/2000 | Klitsner | ..... | A63H 33/042<br>446/408  |
| D866,673  | S * | 11/2019 | Jin      | ..... | D21/592                 |
| D875,184  | S * | 2/2020  | Zeng     | ..... | D21/475                 |
| D907,718  | S * | 1/2021  | Reese    | ..... | A63H 5/00<br>D21/410    |
| D918,309  | S * | 5/2021  | Xu       | ..... | D21/475                 |

(Continued)

**OTHER PUBLICATIONS**

Rabing Wooden Pounding Bench. Date First Available: Nov. 8, 2021. Retrieved from internet: <<https://www.amazon.ca/dp/B091KTBY95>> [site visited May 3, 2022] (Year: 2021).\*

(Continued)

*Primary Examiner* — Katherine Glennon  
*Assistant Examiner* — Yuan Yuan

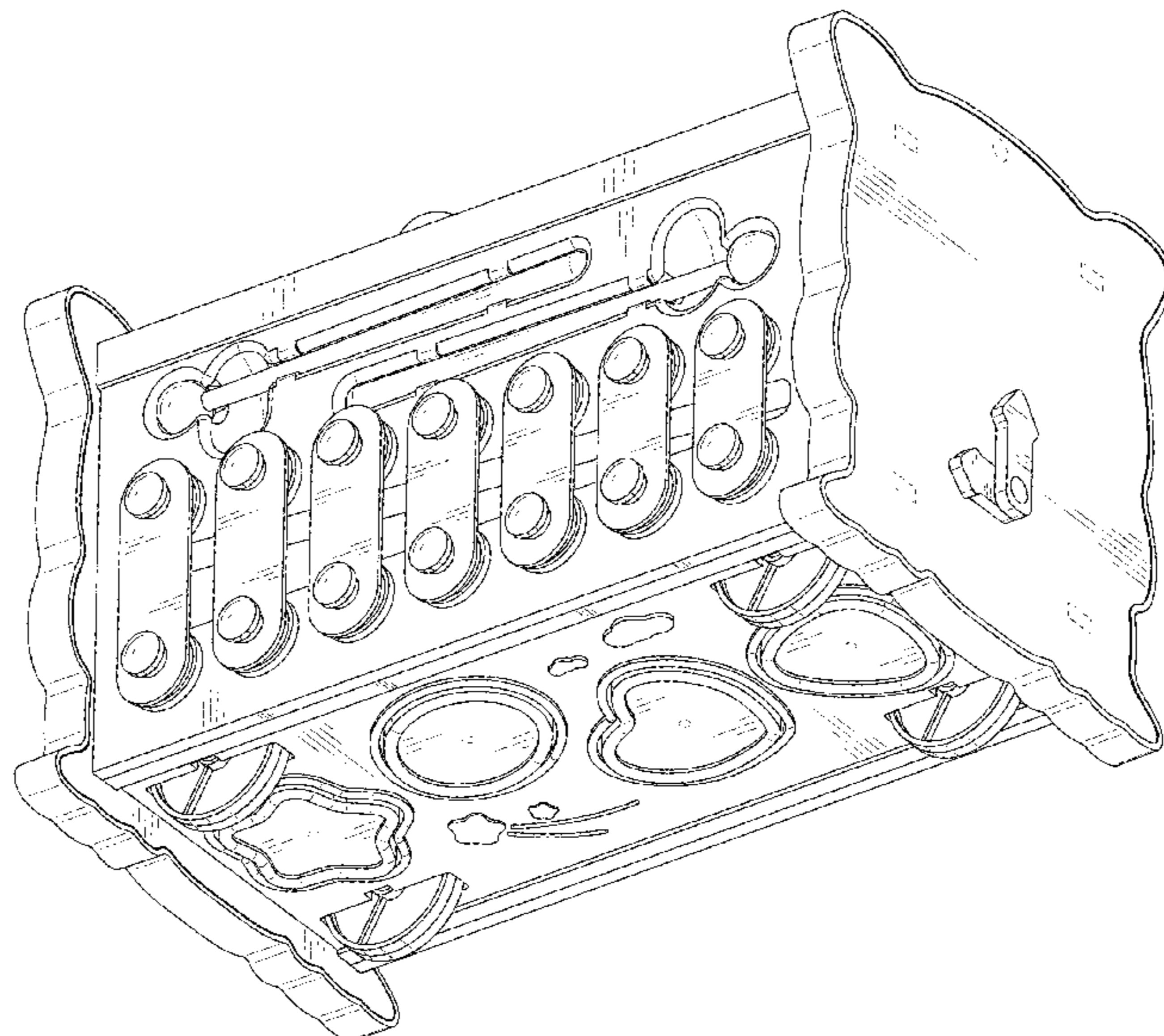
(57) **CLAIM**

The ornamental design for an educational toy, as shown and described.

**DESCRIPTION**

FIG. 1 is a perspective view of an educational toy showing my new design;  
FIG. 2 is another perspective view thereof;  
FIG. 3 is a front elevational view thereof;  
FIG. 4 is a rear elevational view thereof;  
FIG. 5 is a left side elevational view thereof;  
FIG. 6 is a right side elevational view thereof;  
FIG. 7 is a top plan view thereof; and,  
FIG. 8 is a bottom plan view thereof.  
The broken lines in the drawings depict portions of the educational toy that form no part of the claimed design.

**1 Claim, 8 Drawing Sheets**



(56)

**References Cited**

U.S. PATENT DOCUMENTS

D931,379 S \* 9/2021 Xu ..... D21/475  
D938,526 S \* 12/2021 Zhang ..... D21/475  
2004/0251631 A1\* 12/2004 Chou ..... A63B 69/0053  
273/378  
2004/0259466 A1\* 12/2004 Maxwell ..... A63H 33/042  
446/487  
2006/0093995 A1\* 5/2006 Brown ..... G09B 1/36  
434/171

OTHER PUBLICATIONS

Teklemon Hammering Pounding Wooden Toy. Date First Available:  
Jan. 11, 2022 Retrieved from internet: <<https://www.amazon.ca/dp/B09Q5GN4GW/?th=1>> [site visited May 3, 2022] (Year: 2022).\*

\* cited by examiner

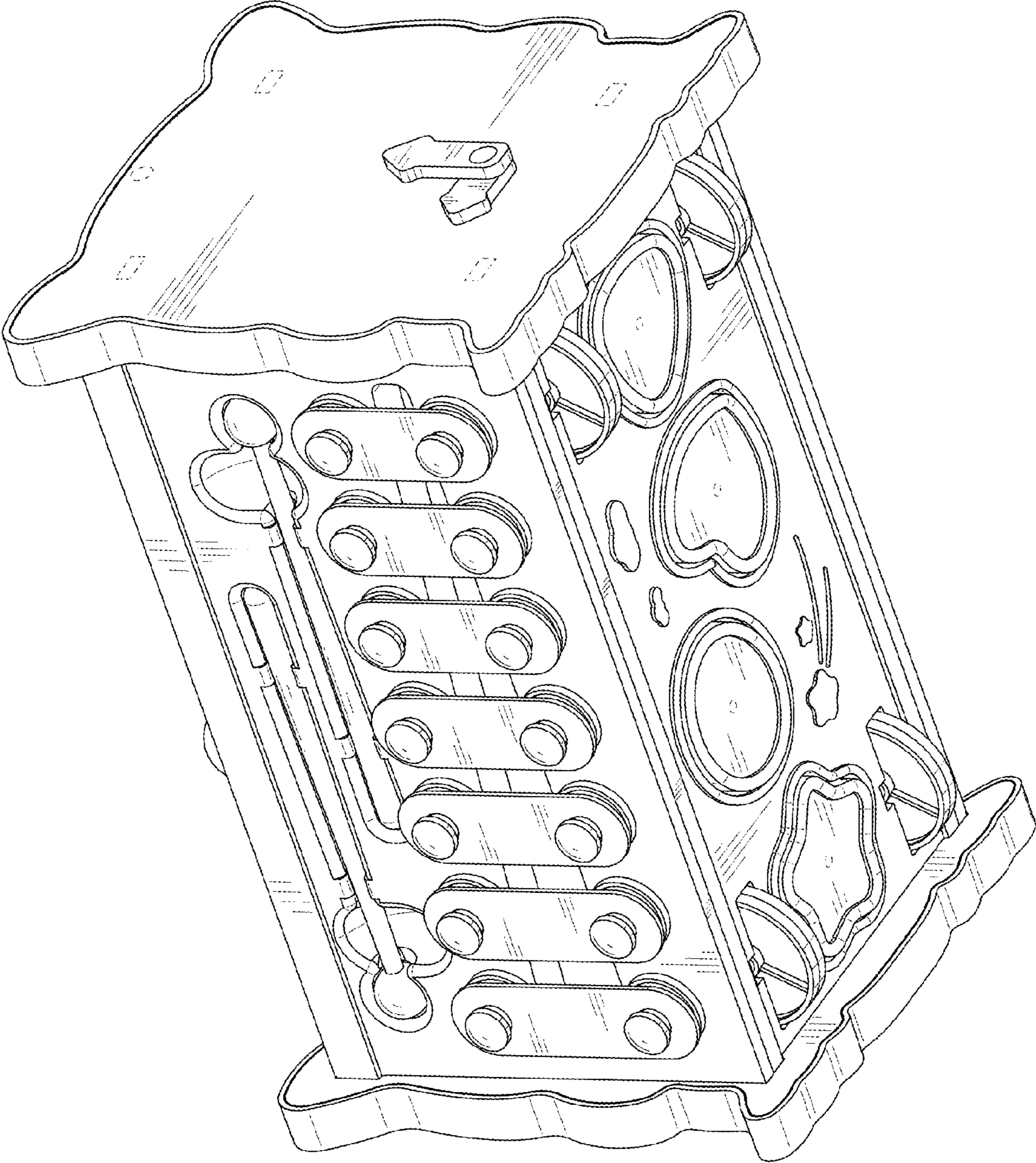


FIG. 1

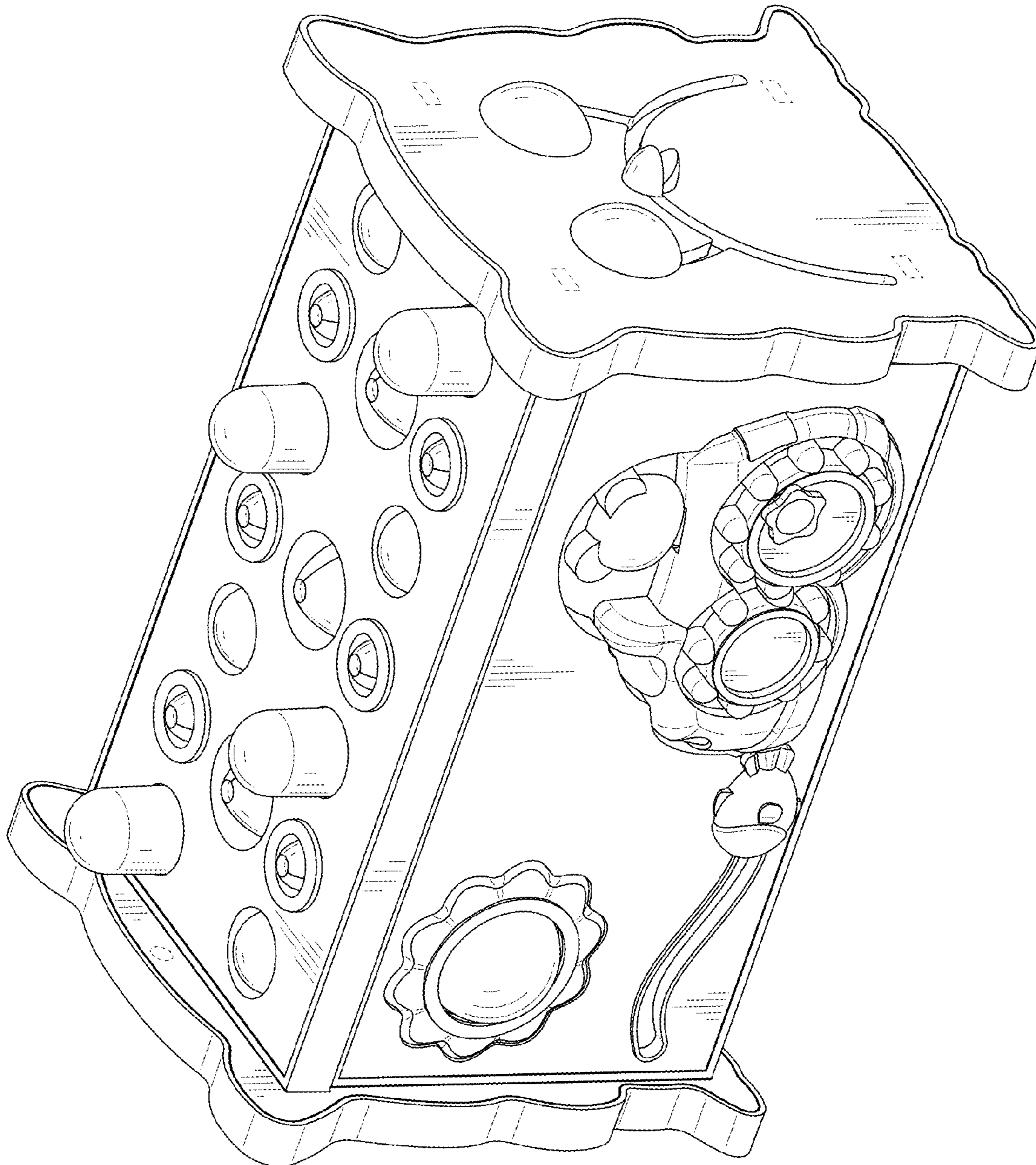


FIG. 2

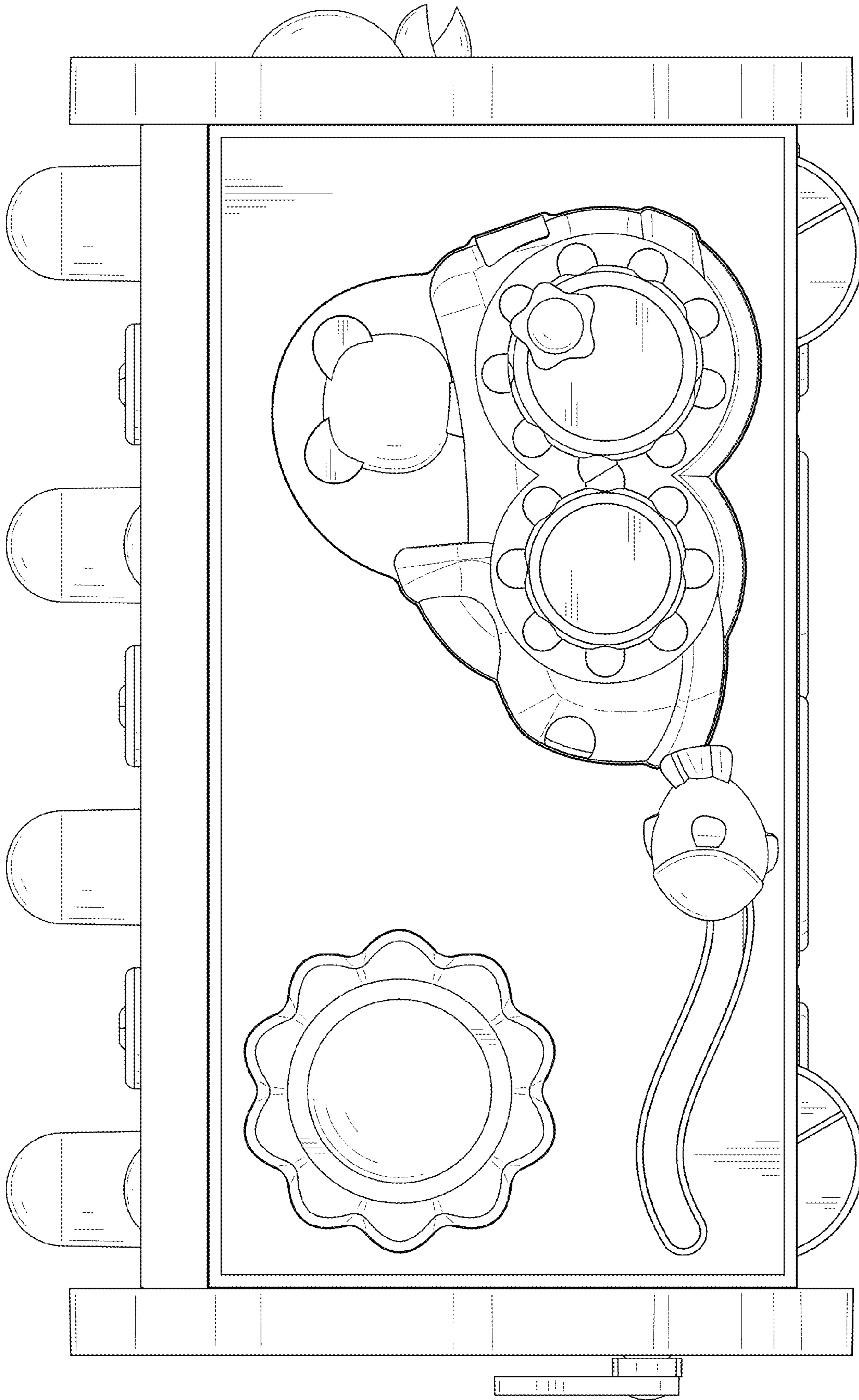


FIG. 3

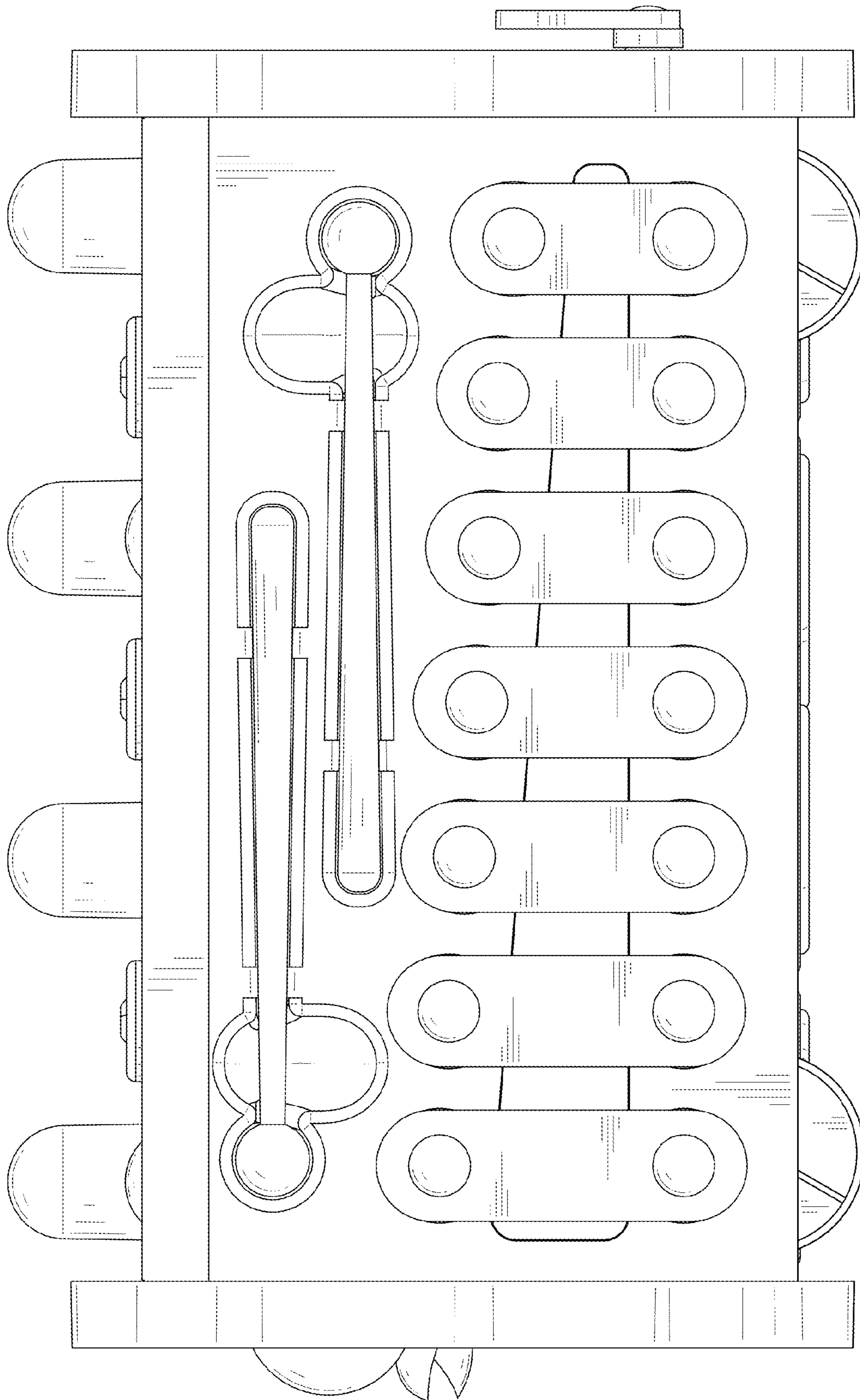


FIG. 4

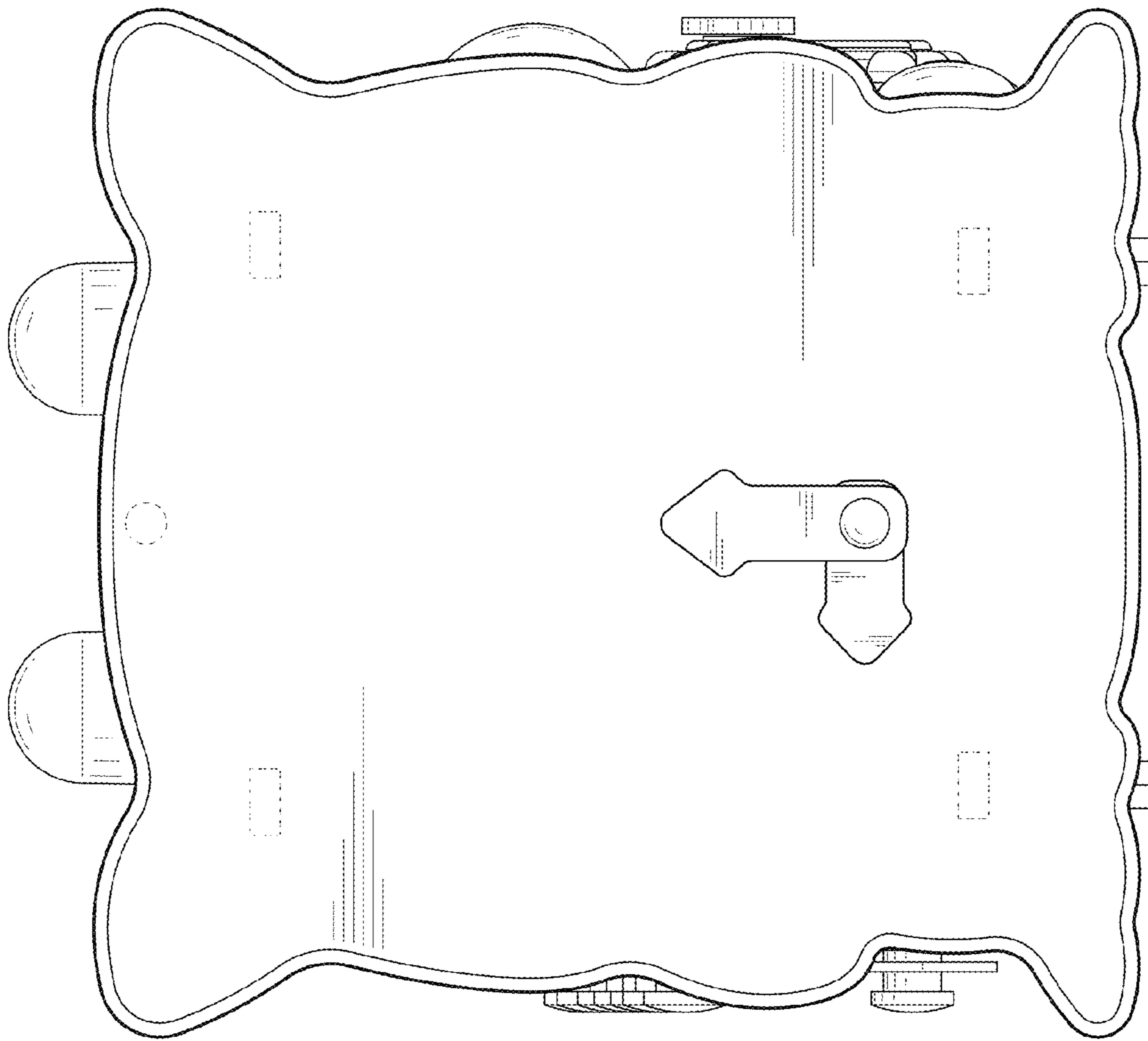


FIG. 5

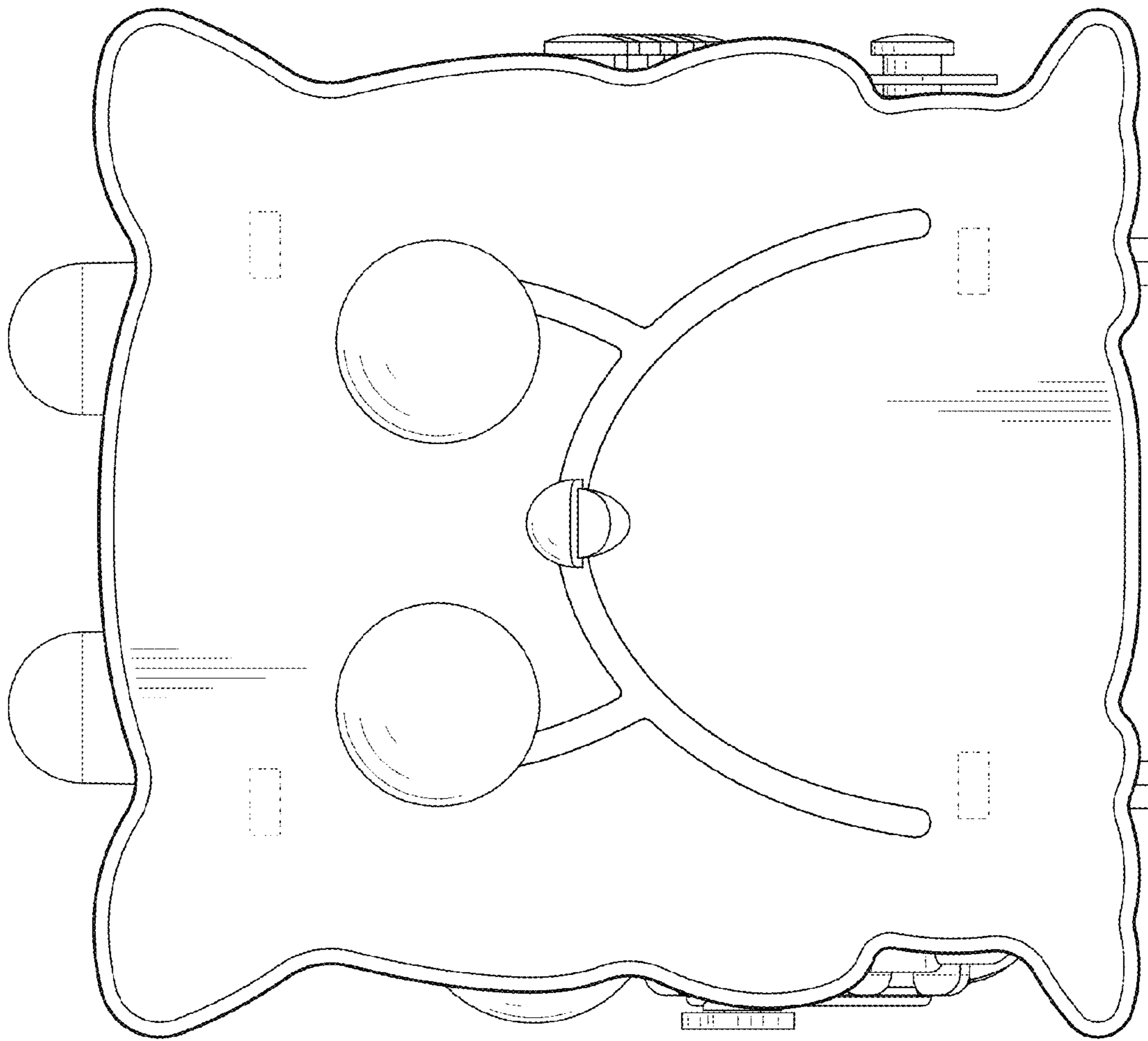


FIG. 6



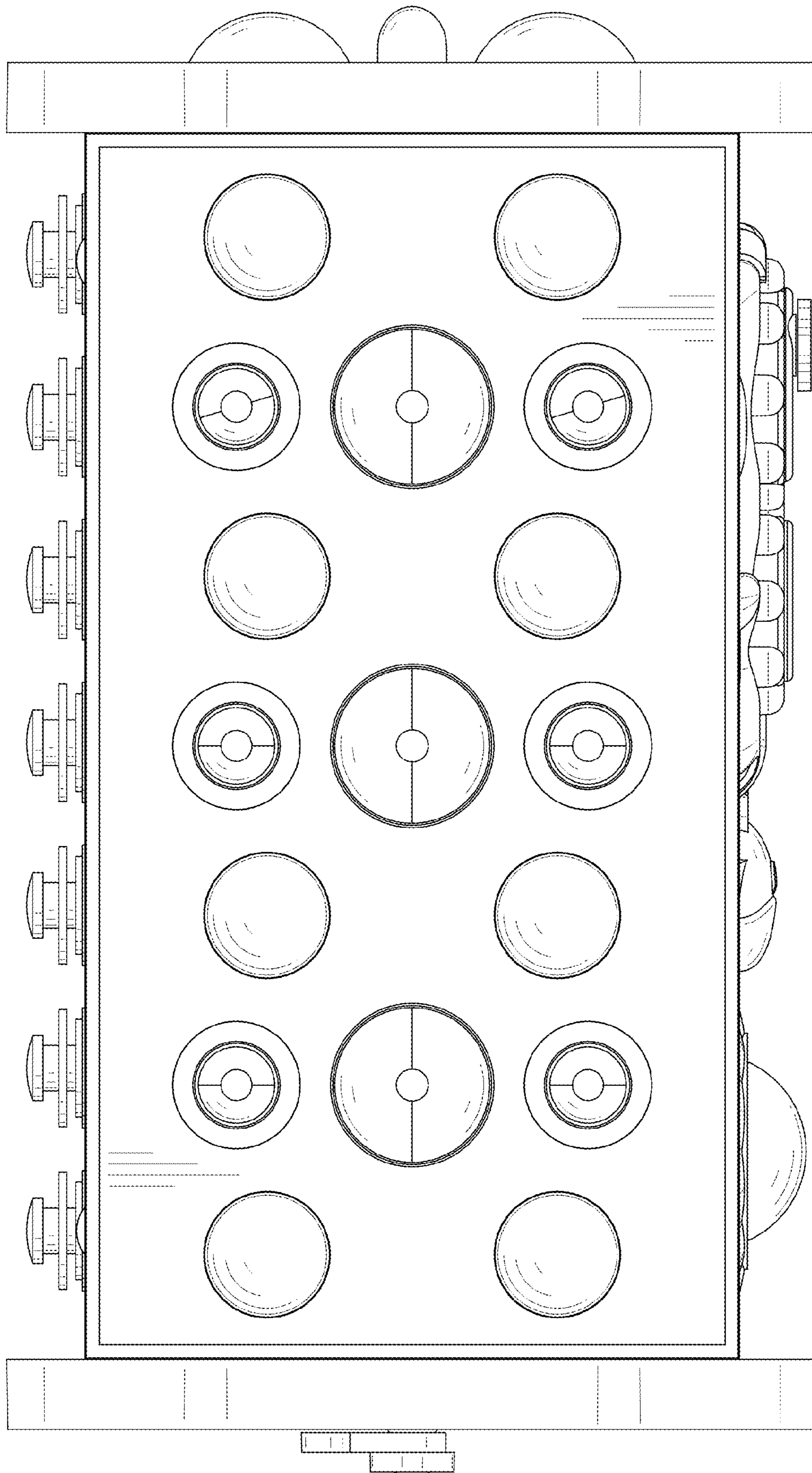


FIG. 7

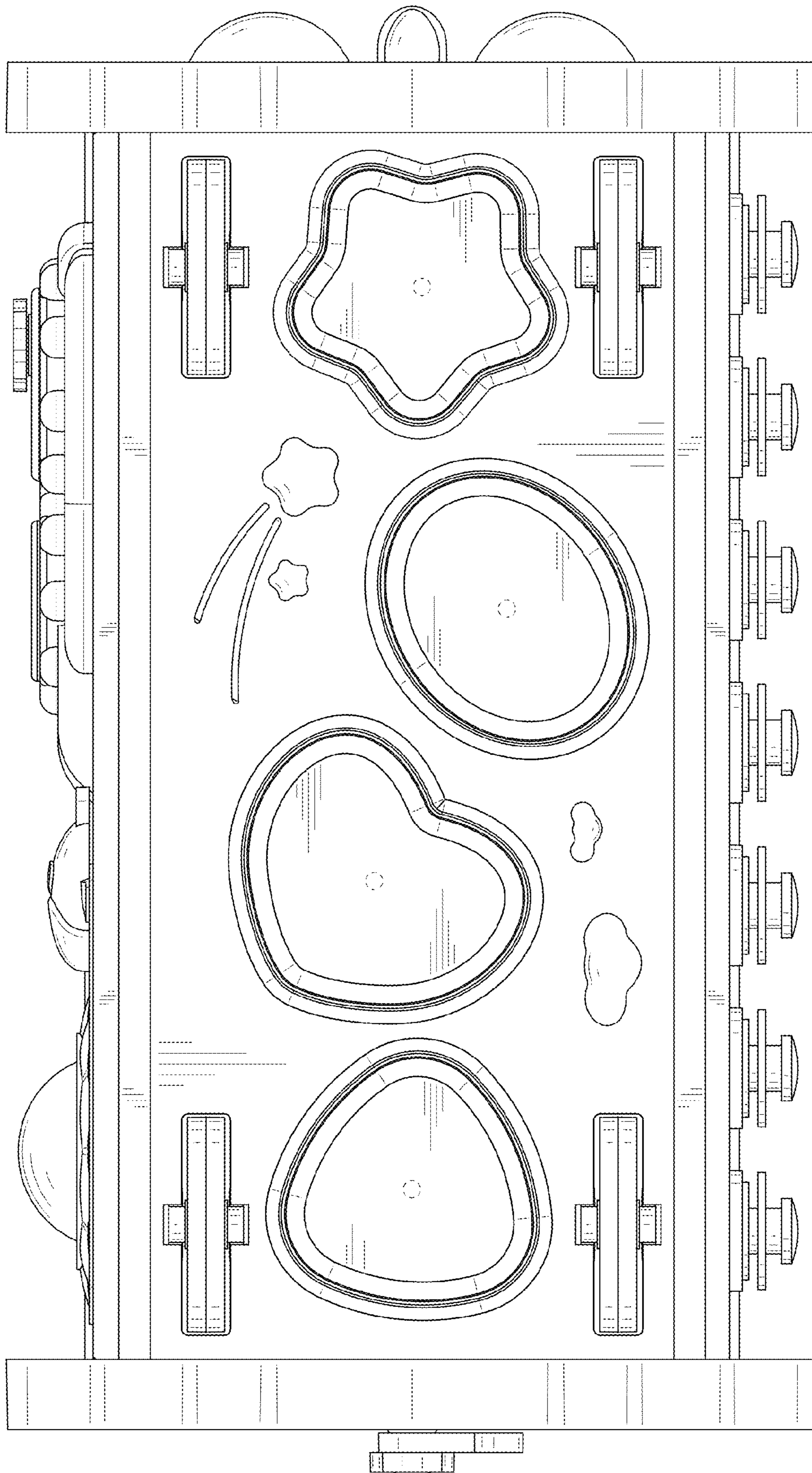


FIG. 8