



US00D957534S

(12) **United States Design Patent**
Kermani et al.

(10) **Patent No.:** **US D957,534 S**
(45) **Date of Patent:** **** Jul. 12, 2022**

- (54) **DRIFTING KART**
- (71) Applicant: **RAZOR USA LLC**, Cerritos, CA (US)
- (72) Inventors: **Ali Kermani**, Huntington Beach, CA (US); **Robert Hadley**, Cerritos, CA (US); **Robert (Wei-Pin) Chen**, San Marino, CA (US)
- (73) Assignee: **Razor USA LLC**, Cerritos, CA (US)

D189,614 S 1/1961 Beale
 D190,024 S 4/1961 Rouse
 3,053,550 A 9/1962 Joachim et al.
 (Continued)

FOREIGN PATENT DOCUMENTS

CN 2198169 Y 5/1995
 CN 1569548 A 1/2005
 (Continued)

- (**) Term: **15 Years**
- (21) Appl. No.: **29/741,692**
- (22) Filed: **Jul. 15, 2020**

OTHER PUBLICATIONS

Aamoth, Doug, "Razor Builds the Ultimate Drifting Go-Kart: Why Must I Always Be Over the Weight Limit for Everything Good in This World?," Jul. 11, 2013, retrieved on Aug. 6, 2016, <http://techland.time.com/2013/07/11/razor-builds-the-ultimate-drifting-go-kart-why-must-i-always-be-over-the-weight-limit-for-everything-good-in-this-world/>, in 2 pages.
 (Continued)

Related U.S. Application Data

- (63) Continuation of application No. 29/696,443, filed on Jun. 27, 2019, now Pat. No. Des. 890,854, which is a continuation of application No. 29/665,460, filed on Oct. 3, 2018, now Pat. No. Des. 852,893, which is a continuation of application No. 29/612,025, filed on Jul. 27, 2017, now Pat. No. Des. 830,469, which is a continuation of application No. 29/565,023, filed on May 17, 2016, now Pat. No. Des. 793,481.

Primary Examiner — Cynthia M. Chin
 (74) *Attorney, Agent, or Firm* — Knobbe, Martens, Olson & Bear, LLP

- (51) **LOC (13) Cl.** **21-01**
- (52) **U.S. Cl.**
USPC **D21/426; D21/435**
- (58) **Field of Classification Search**
USPC D21/419, 421, 423, 426, 662, 760, 765, D21/766, 769, 771; D12/1, 6, 112, 114
CPC B62D 21/183; B62D 61/08; B62K 3/005
See application file for complete search history.

(57) **CLAIM**

The ornamental design for a drifting kart, as shown and described.

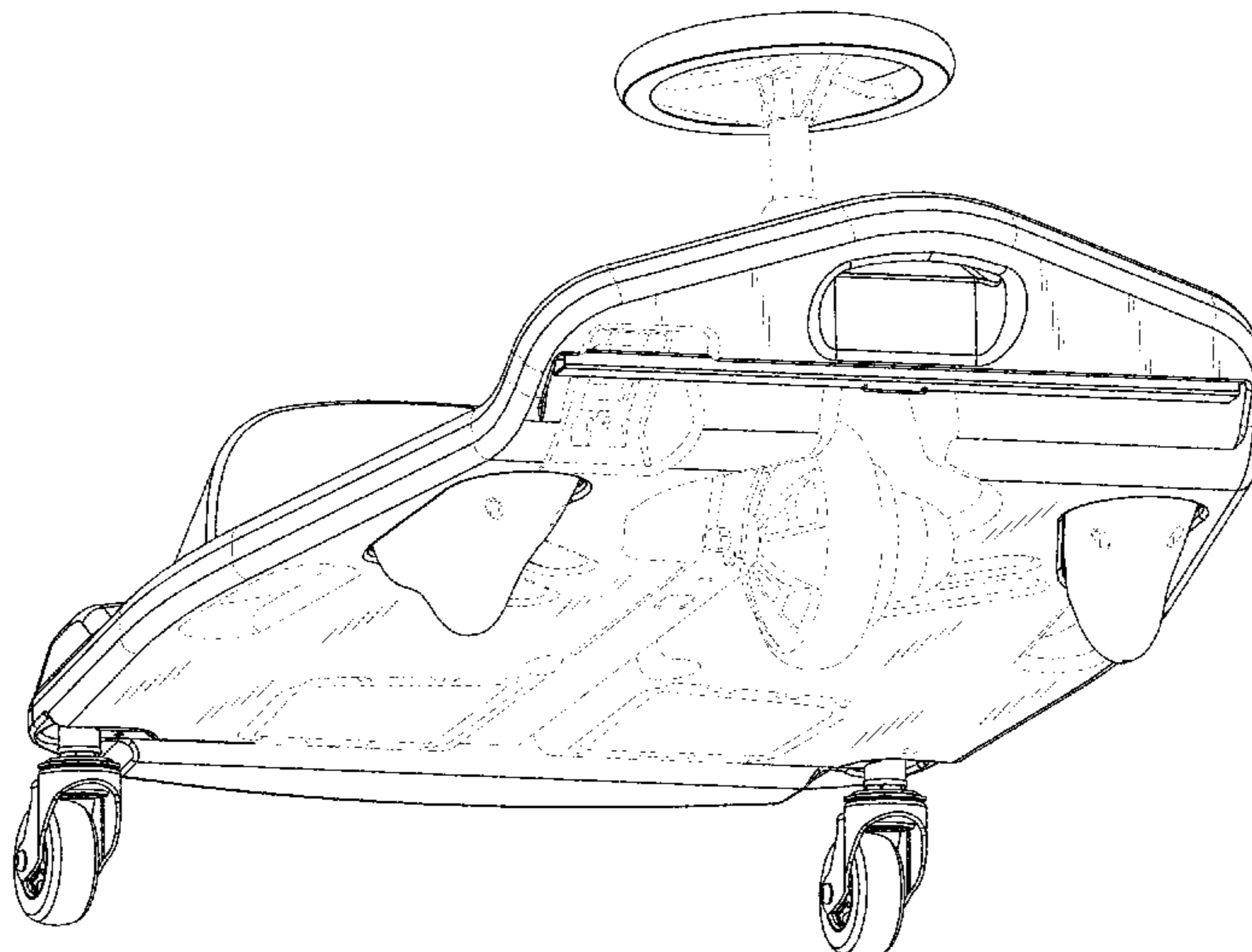
DESCRIPTION

FIG. 1 is a top, front, left-side perspective view of a drifting kart of our design;
 FIG. 2 is a bottom, front, right-side perspective view thereof;
 FIG. 3 is a front elevation view thereof;
 FIG. 4 is a rear elevation view thereof;
 FIG. 5 is a right-side elevation view thereof;
 FIG. 6 is a left-side elevation view thereof;
 FIG. 7 is a top plan view thereof; and,
 FIG. 8 is a bottom plan view thereof.
 The broken lines illustrate portions of the article that form no part of the claimed subject matter.

- (56) **References Cited**
U.S. PATENT DOCUMENTS

1,231,531 A 6/1917 Shilling
 1,932,031 A 10/1933 Saverio
 D134,560 S 12/1942 Fletcher
 D171,210 S 12/1953 Jones
 3,062,559 A 6/1959 Hewitt

1 Claim, 7 Drawing Sheets



(56)

References Cited

U.S. PATENT DOCUMENTS

3,099,326	A	7/1963	Weigel et al.	6,349,786	B1	2/2002	Gift
3,125,177	A	3/1964	Paller	D460,723	S	7/2002	Smit
3,512,599	A	5/1970	Hott et al.	D465,814	S	11/2002	Kovelski
3,533,484	A	10/1970	Wood, Jr.	D466,560	S	12/2002	Stolpmann
D222,283	S	10/1971	Reeves	D467,088	S	12/2002	Haney et al.
3,700,058	A	10/1972	Kuwahara	D469,819	S	2/2003	Nicolle et al.
3,799,283	A	3/1974	Freber	D471,936	S	3/2003	Tilbor et al.
3,829,117	A	8/1974	Park	6,530,598	B1	3/2003	Kirby
3,938,608	A	2/1976	Folco-Zambelli	D482,882	S	12/2003	Murphy
3,960,392	A	6/1976	Read	D483,191	S	12/2003	Murphy
D243,627	S	3/1977	Clower	D483,420	S	12/2003	Delong et al.
D246,198	S	10/1977	Rose	D485,445	S	1/2004	De Maina
4,065,144	A	12/1977	Winchell	D488,194	S	4/2004	Fox et al.
D249,496	S	9/1978	Morgan	6,729,421	B1	5/2004	Gluck
D251,264	S	3/1979	Cook et al.	6,749,039	B1	6/2004	Uphaus
D252,714	S	8/1979	Tidwell	D493,391	S	7/2004	Gunter
D256,299	S	8/1980	Maccready	6,766,871	B2	7/2004	Sawyer
4,281,844	A	8/1981	Jackman et al.	D498,709	S	11/2004	Sramek
4,359,231	A	11/1982	Mulcahy	D500,707	S	1/2005	Lu
4,403,673	A	9/1983	Ball	D503,658	S	4/2005	Lu
D276,058	S	10/1984	Rogers	D512,467	S	12/2005	Hadley et al.
D280,916	S	10/1985	Castle	D513,483	S	1/2006	Buhrman
4,572,535	A	2/1986	Stewart	7,108,090	B2	9/2006	Turner
D290,451	S	6/1987	Engum	7,117,967	B2	10/2006	Kidd
4,682,668	A	7/1987	Salmon et al.	7,198,322	B2	4/2007	Savo
4,750,578	A	6/1988	Brandenfels	D557,911	S	12/2007	Herold, III et al.
4,799,708	A	1/1989	Handa et al.	D562,914	S	2/2008	Oveson et al.
4,826,190	A	5/1989	Hartmann	D570,572	S	6/2008	Whiteside et al.
4,886,294	A	12/1989	Nahachewski	D574,297	S	8/2008	Carl
4,896,899	A	1/1990	Lawrence	D575,675	S	8/2008	Williams et al.
4,898,508	A	2/1990	Hayata	D582,489	S	12/2008	Bandanjo
4,915,075	A	4/1990	Brown	D582,992	S	12/2008	Alais
4,944,360	A	7/1990	Sturges	D587,176	S	2/2009	Yang et al.
4,993,733	A	2/1991	Eilers	7,552,934	B2	6/2009	Lee et al.
5,036,938	A	8/1991	Blount et al.	D601,640	S	10/2009	McIlvain et al.
D320,420	S	10/1991	Dupont	D608,250	S	1/2010	Van De
D320,586	S	10/1991	Tellinghuisen	D611,106	S	3/2010	Van Beek
D332,765	S	1/1993	Tellinghuisen	7,712,558	B2	5/2010	Helson et al.
D332,977	S	2/1993	Huffman et al.	D619,519	S	7/2010	Granata
5,257,671	A	11/1993	Watkins	D619,943	S	7/2010	Granata
5,265,690	A	11/1993	Amundsen et al.	7,779,850	B2	8/2010	Caldwell
5,340,139	A	8/1994	Davis	D622,986	S	9/2010	Kubryk
D355,879	S	2/1995	Winbald	7,823,675	B2	11/2010	Kermani
D356,765	S	3/1995	DiMatteo	D637,116	S	5/2011	Kettler
5,477,936	A	12/1995	Sugioka et al.	D637,660	S	5/2011	Markowitz
D366,021	S	1/1996	Tharp	D644,580	S	9/2011	Markowitz et al.
5,479,998	A	1/1996	Ishikawa	D646,086	S	10/2011	Hickman et al.
5,494,126	A	2/1996	Meeker	8,091,658	B2	1/2012	Peng
D369,130	S	4/1996	Cummings	8,356,686	B2	1/2013	Kermani
D378,226	S	2/1997	Sundqvist	8,365,850	B2	2/2013	Gal et al.
5,628,379	A	5/1997	Watkins	D682,739	S	5/2013	Patterson et al.
D390,281	S	2/1998	O'Rourke	D682,746	S	5/2013	Doherty et al.
D394,164	S	5/1998	Safrit	D690,147	S	9/2013	Meyer
5,816,592	A	10/1998	Horton, II et al.	D692,505	S	10/2013	Jiang
5,826,670	A	10/1998	Nan	D692,506	S	10/2013	Jiang
D404,928	S	2/1999	Safrit	8,627,910	B1	1/2014	Carque
D408,869	S	4/1999	Patmont	D705,128	S	5/2014	Patterson et al.
D409,538	S	5/1999	Isetani et al.	8,757,644	B2	6/2014	Satou
5,904,218	A	5/1999	Watkins	8,801,005	B1	8/2014	Flickner et al.
D410,880	S	6/1999	Conterno	8,820,460	B2	9/2014	Chen
D412,138	S	7/1999	Triarsi et al.	8,840,131	B1	9/2014	Calley
5,931,499	A	8/1999	Sutherland	8,875,831	B2	11/2014	Kermani
D419,507	S	1/2000	Triarsi et al.	8,931,583	B2	1/2015	Tuckowski
6,022,049	A	2/2000	Wiggins, Jr.	D731,222	S	6/2015	Bosman
6,026,923	A	2/2000	Uphaus	9,102,375	B2	8/2015	Kermani
6,047,786	A	4/2000	Stevenson et al.	D739,318	S	9/2015	Rancan et al.
D424,996	S	5/2000	McShay, Jr.	9,139,248	B2	9/2015	Xiao
D433,828	S	11/2000	Safrit	D761,700	S	7/2016	Kermani
D434,086	S	11/2000	Ford	D766,780	S	9/2016	Fusco
6,170,596	B1	1/2001	Triarsi et al.	D771,196	S	11/2016	Chen
D439,871	S	4/2001	Goebert et al.	9,499,220	B2	11/2016	Kermani
D440,607	S	4/2001	Mahlow	D773,359	S	12/2016	Okuyama et al.
D445,740	S	7/2001	Hartog	D774,602	S	12/2016	Desberg
6,267,190	B1	7/2001	Micheletti	D774,981	S	12/2016	Chen
6,276,480	B1	8/2001	Aregger	D775,282	S	12/2016	Williams et al.
				D776,016	S	1/2017	Androski et al.
				D776,204	S	1/2017	Van Der Berg
				9,557,740	B2	1/2017	Crawley
				D778,369	S	2/2017	Douma et al.

(56)

References Cited

U.S. PATENT DOCUMENTS

D783,726 S 4/2017 Williams et al.
 D787,379 S 5/2017 Kermani
 D787,610 S 5/2017 Desberg
 D789,262 S 6/2017 Chen
 D792,811 S 7/2017 Kermani et al.
 D793,480 S 8/2017 Chen
 D793,481 S 8/2017 Kermani et al.
 D793,912 S 8/2017 Kermani
 D801,242 S 10/2017 Kim
 D807,438 S 1/2018 Desberg
 D809,982 S 2/2018 Hosozawa
 D813,314 S 3/2018 Montagne
 D816,001 S 4/2018 Kim
 D820,178 S 6/2018 Kim
 D820,733 S 6/2018 Chen
 D827,522 S 9/2018 Villamizar et al.
 D830,469 S 10/2018 Kermani et al.
 D830,470 S 10/2018 Chen
 10,245,194 B2 4/2019 Kermani
 10,266,197 B2 4/2019 Desberg
 D848,166 S 5/2019 Braun
 D850,328 S 6/2019 Allais
 D852,892 S 7/2019 Chen
 D852,893 S 7/2019 Kermani et al.
 D854,457 S 7/2019 Kermani
 D854,458 S 7/2019 Kermani
 D855,339 S 8/2019 Ochs
 10,434,860 B2 10/2019 Chen et al.
 D872,657 S 1/2020 Li
 10,543,776 B2 1/2020 Matsushima
 D874,986 S 2/2020 Chen
 D890,854 S 7/2020 Kermani et al.
 D890,855 S 7/2020 Chen
 10,822,014 B2 11/2020 Boittiaux et al.
 10,843,720 B2 11/2020 Kwon et al.
 D913,165 S 3/2021 Kermani
 D913,878 S 3/2021 Kermani
 11,110,016 B2 9/2021 Kermani
 D940,794 S 1/2022 Chen
 2002/0011374 A1 1/2002 Brister
 2002/0175027 A1 11/2002 Usherovich
 2003/0102657 A1 6/2003 Kuo
 2004/0035627 A1 2/2004 Richey et al.
 2004/0040769 A1 3/2004 Richey et al.
 2004/0199311 A1 10/2004 Aguilar et al.
 2005/0103554 A1 5/2005 Meglioli
 2005/0173180 A1 8/2005 Hypes et al.
 2007/0045022 A1 3/2007 Greig et al.

2007/0151777 A1 7/2007 Peng
 2008/0122209 A1 5/2008 Jayasuriya
 2008/0196951 A1 8/2008 Gal et al.
 2009/0007721 A1 1/2009 Cortina et al.
 2009/0065272 A1 3/2009 Martin et al.
 2012/0133111 A1 5/2012 Schmutzer et al.
 2015/0328994 A1 5/2015 Chen et al.
 2016/0059896 A1 3/2016 Gergaud
 2016/0214557 A1 7/2016 Villa
 2017/0156953 A1 6/2017 Kermani
 2018/0043950 A1 2/2018 Kermani et al.
 2018/0273101 A1 9/2018 Martin
 2020/0022856 A1 1/2020 Kermani
 2020/0062100 A1 2/2020 Chen et al.

FOREIGN PATENT DOCUMENTS

CN 2936826 8/2007
 CN 200977859 11/2007
 CN 201009762 Y 1/2008
 CN 203186508 U 9/2013
 CN 203427959 U 2/2014
 CN 203864416 U 10/2014
 CN 204527453 U 8/2015
 CN 105083006 A 11/2015
 CN 205087107 U 3/2016
 CN 206012763 U 3/2017
 EP 0529188 A1 3/1993
 FR 859864 A 12/1940
 JP 07-285345 A 10/1995
 JP 2000-127982 A 5/2000
 JP 2007-082817 A 4/2007
 JP 2010-047206 A 3/2010
 WO WO 2018/032730 2/2018
 WO WO 2018/035060 A1 2/2018

OTHER PUBLICATIONS

OTL Elektrokart, "Storm Series—Competition" Datasheet, Jun. 14, 2014, retrieved on Aug. 6, 2016, <https://www.kart1.com/pdf/competition.pdf>, in 3 pages.
 Razor USA: "Crazy Cart", Jul. 21, 2016 (Jul. 21, 2016), Retrieved from the Internet: URL: https://www.razor.com/wp-content/uploads/2018/02/CrazyCartshift_MAN_US_160721-1.pdf [retrieved on Mar. 3, 2020].
 Recreation Ltd. "Razor Crazy Cart Shift Ride Video", Youtube, Aug. 15, 2016 (Aug. 15, 2016), Retrieved from the Internet: URL: <https://youtube.com/watch?v=KjrfsfSiMZ4> [retrieved on Apr. 10, 2020].
 Office Action in corresponding European Patent Application No. 17841948.7, dated Jul. 9, 2021, in 7 pages.

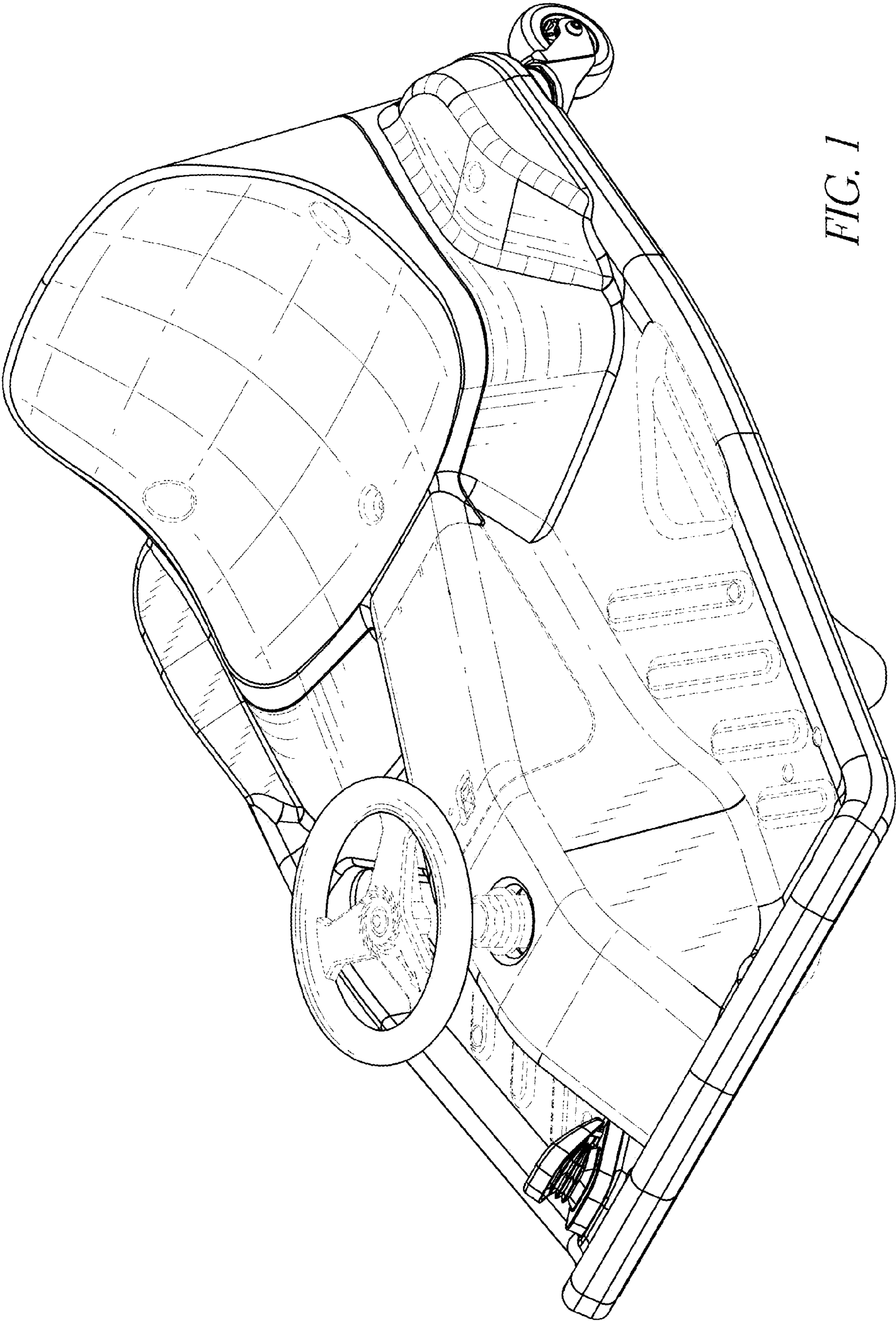


FIG. 1

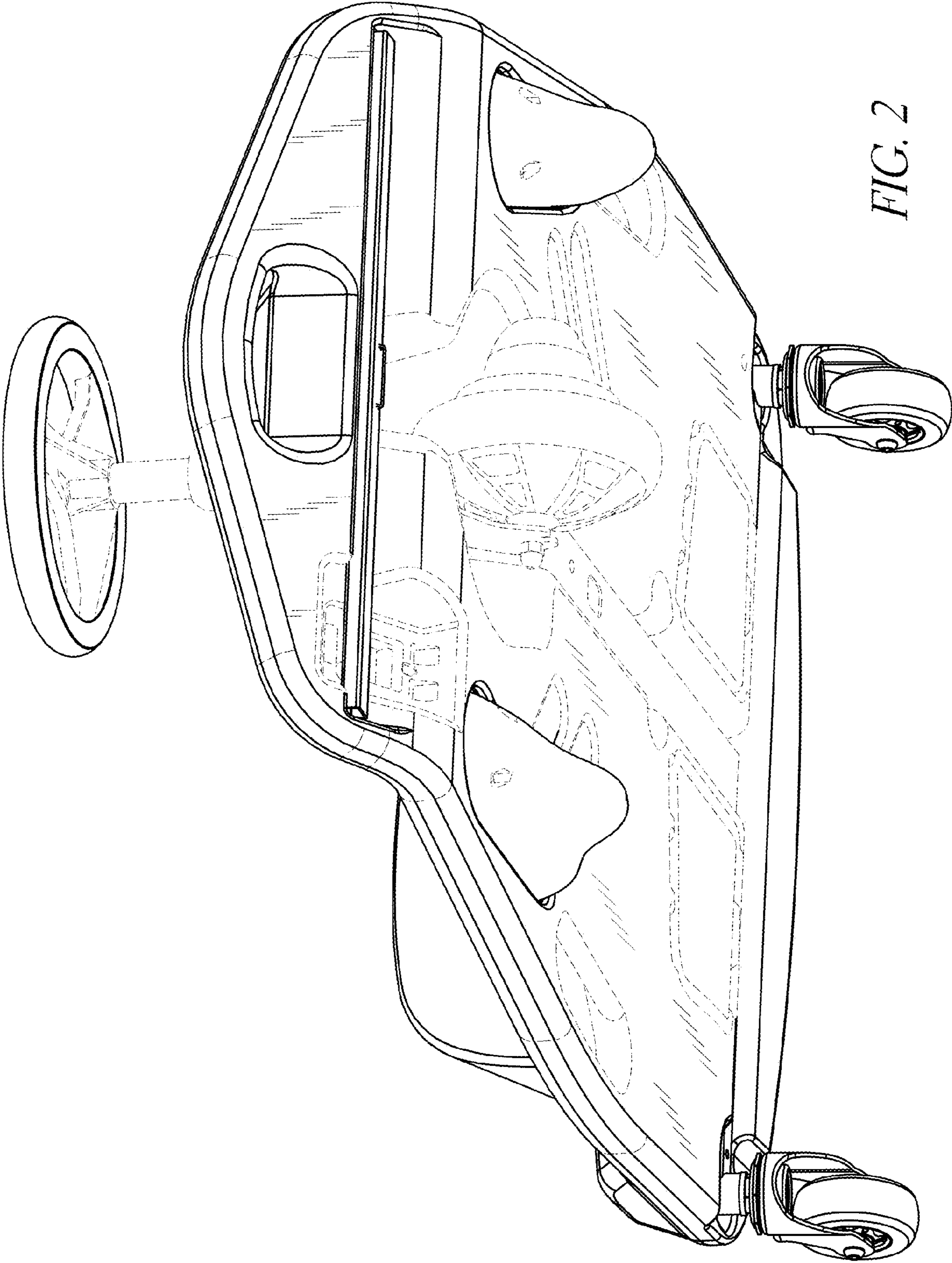


FIG. 2

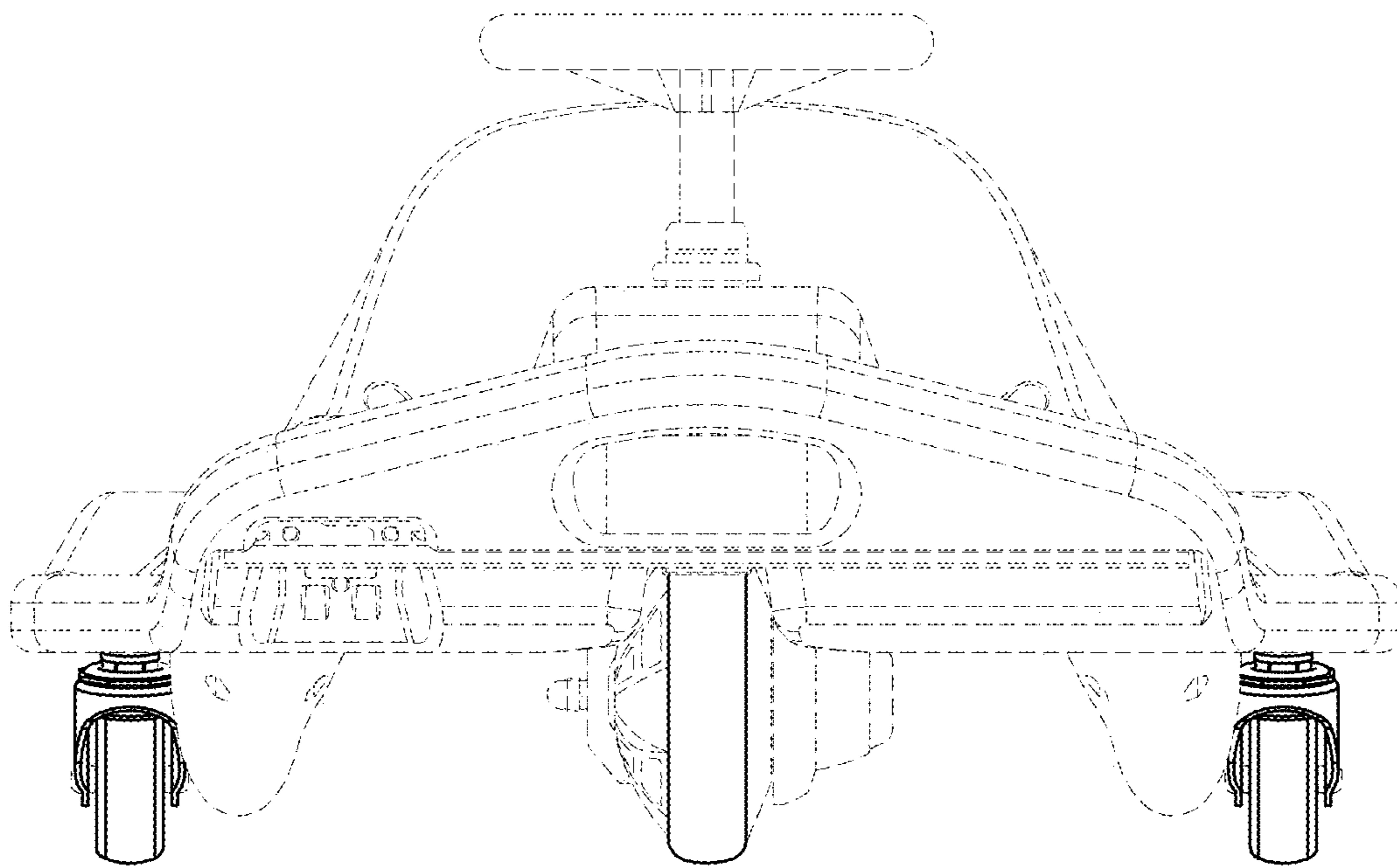


FIG. 3

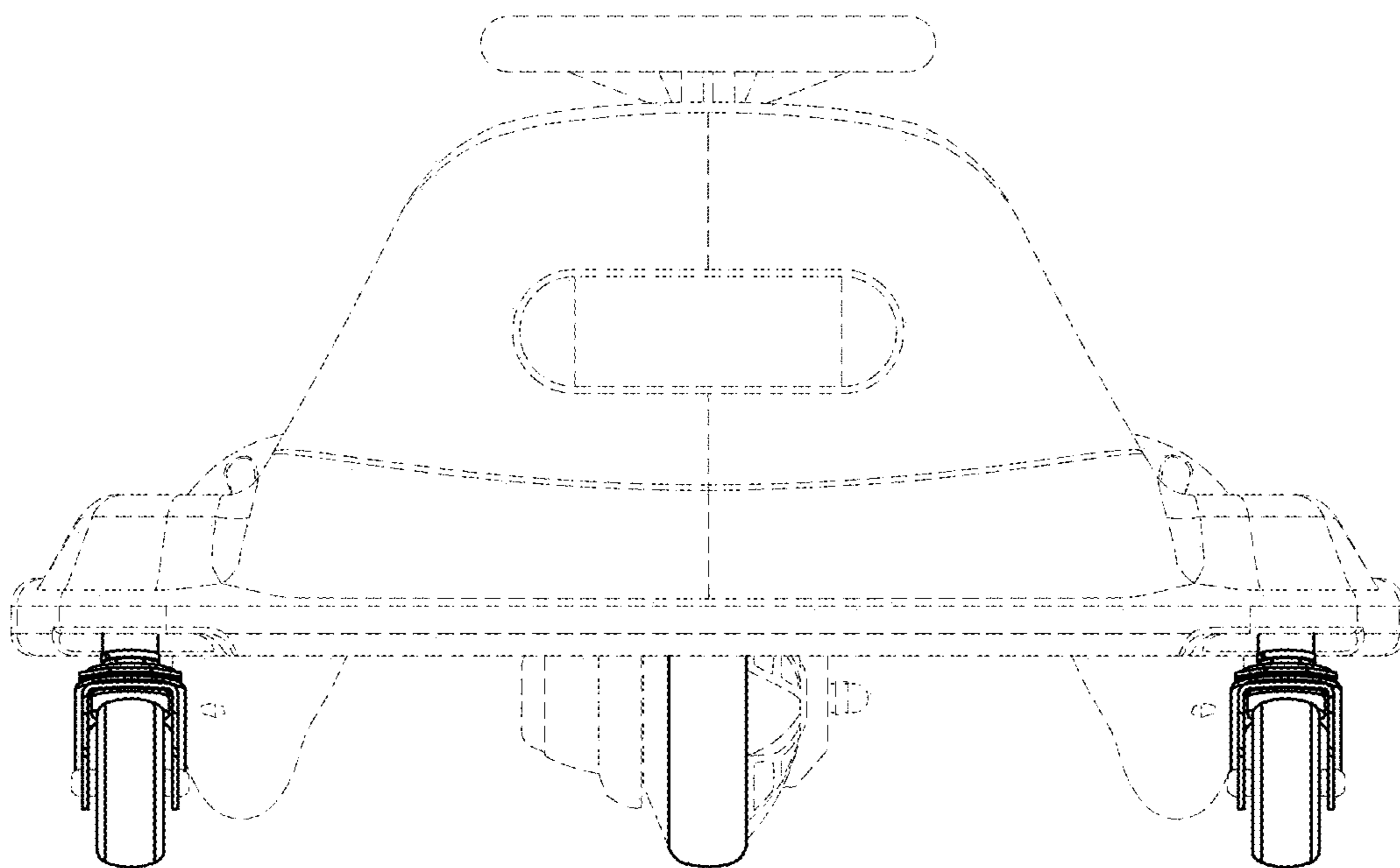


FIG. 4

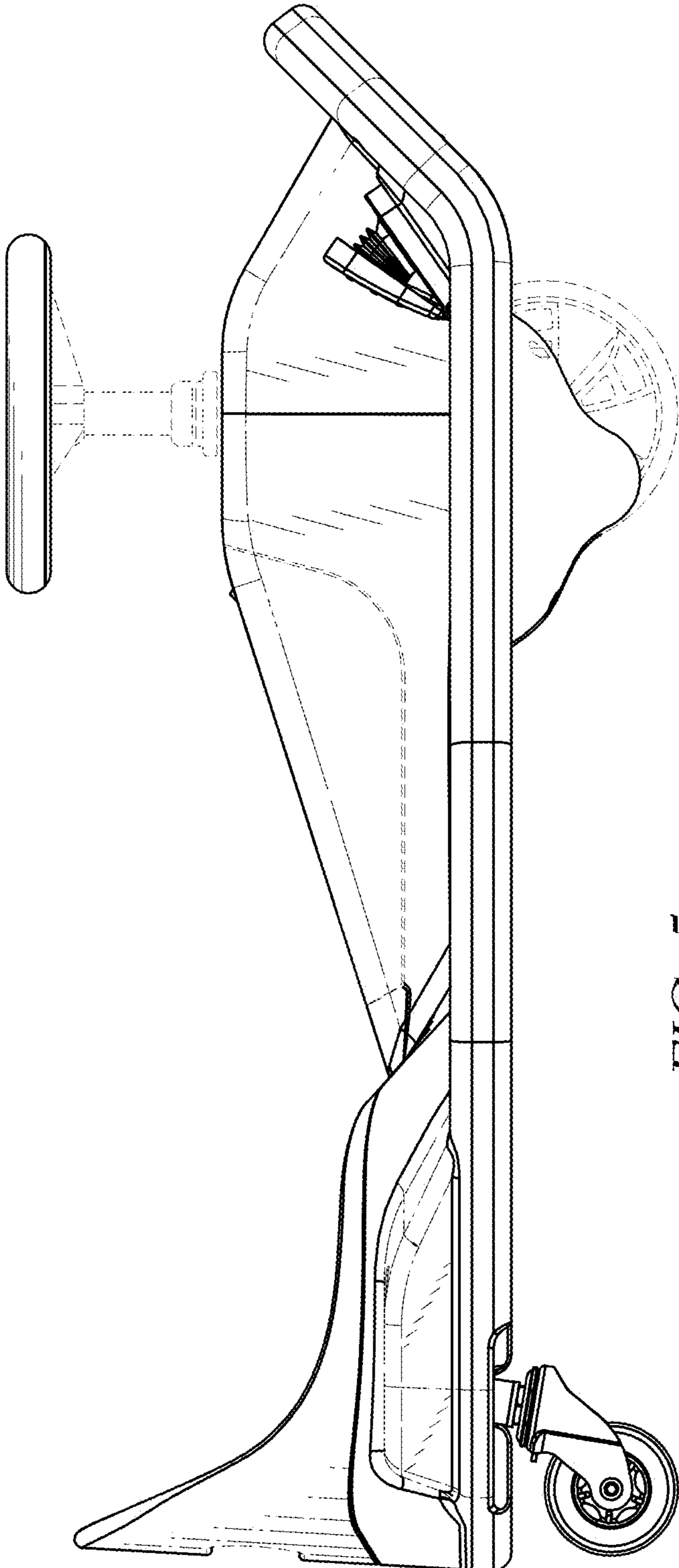


FIG. 5

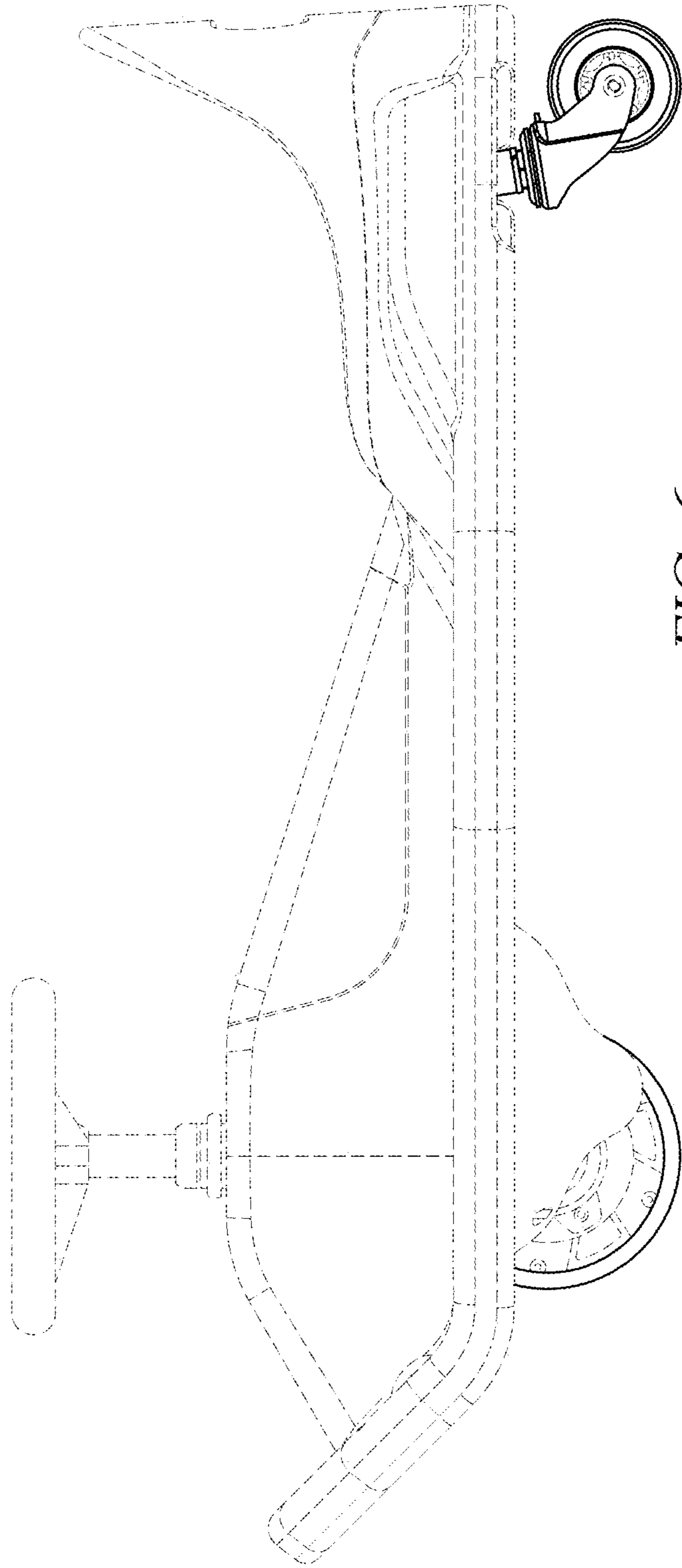


FIG. 6

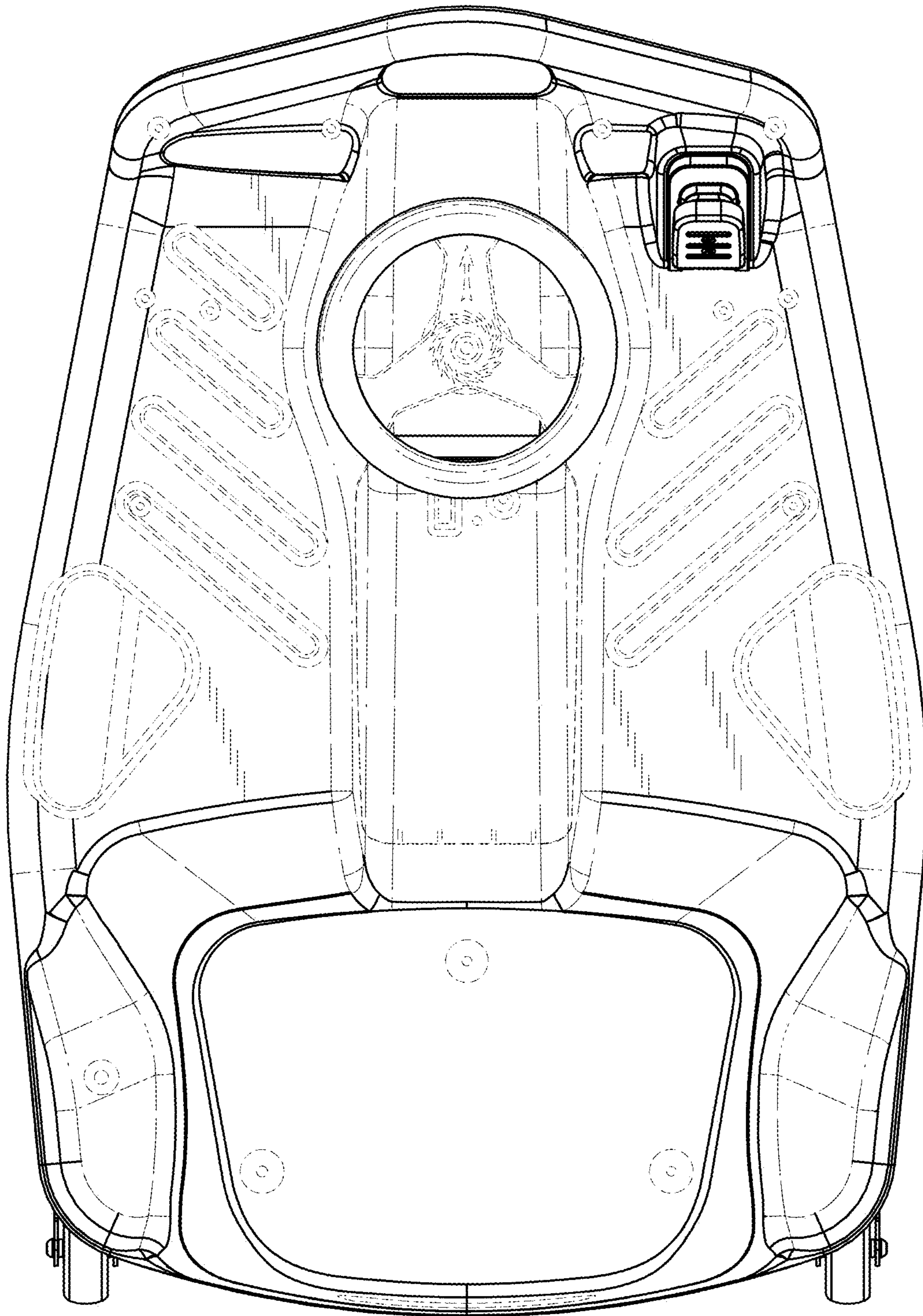


FIG. 7

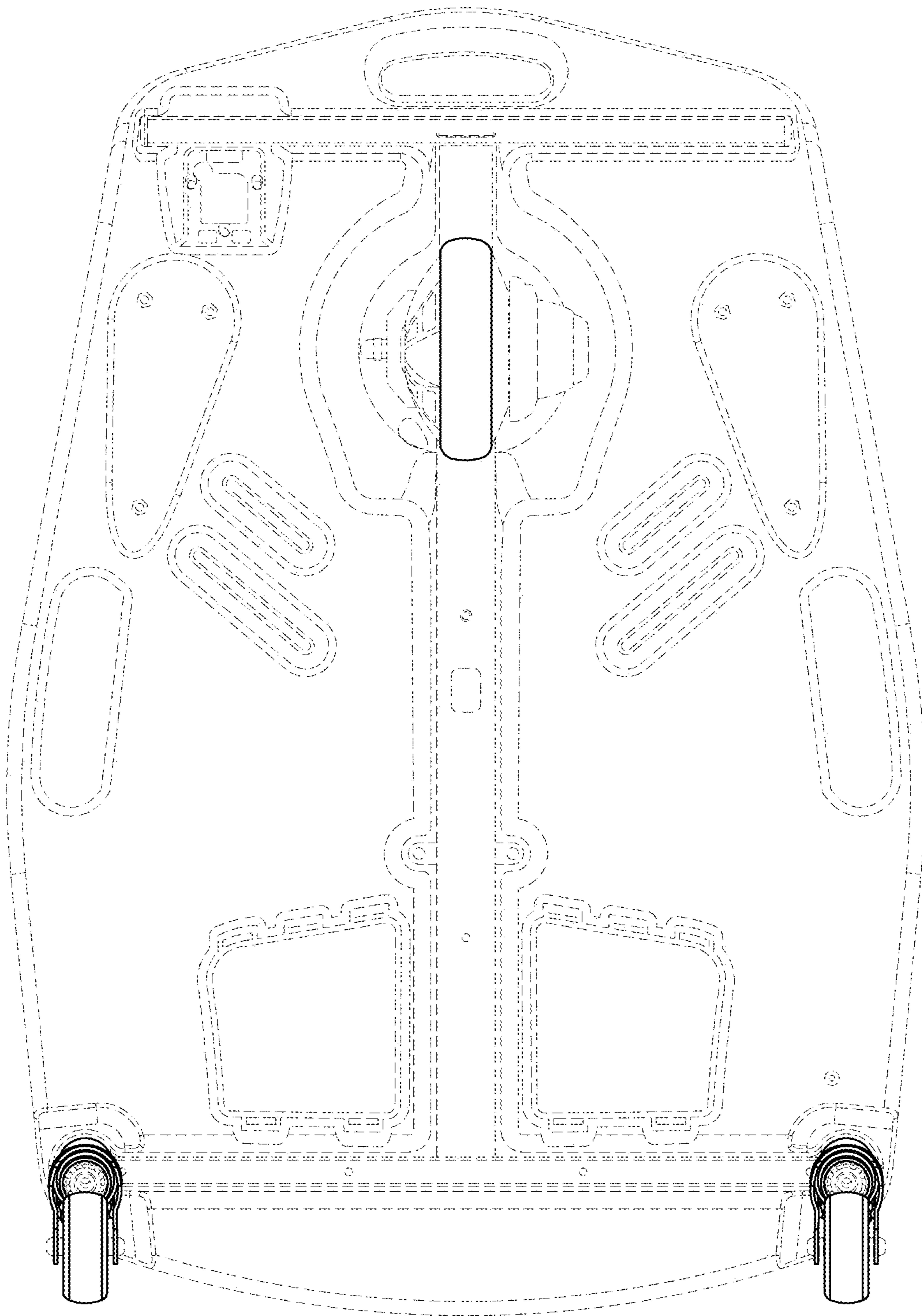


FIG. 8

UNITED STATES PATENT AND TRADEMARK OFFICE
CERTIFICATE OF CORRECTION

PATENT NO. : D957,534 S
APPLICATION NO. : 29/741692
DATED : July 12, 2022
INVENTOR(S) : Ali Kermani

Page 1 of 8

It is certified that error appears in the above-identified patent and that said Letters Patent is hereby corrected as shown below:

In the Drawings

Replace Figures 1-7, and on the title page, the illustrative figure 2, as shown on the enclosed "Replacement Sheets" for Figures 1-7.

Signed and Sealed this
Fourteenth Day of February, 2023



Katherine Kelly Vidal
Director of the United States Patent and Trademark Office

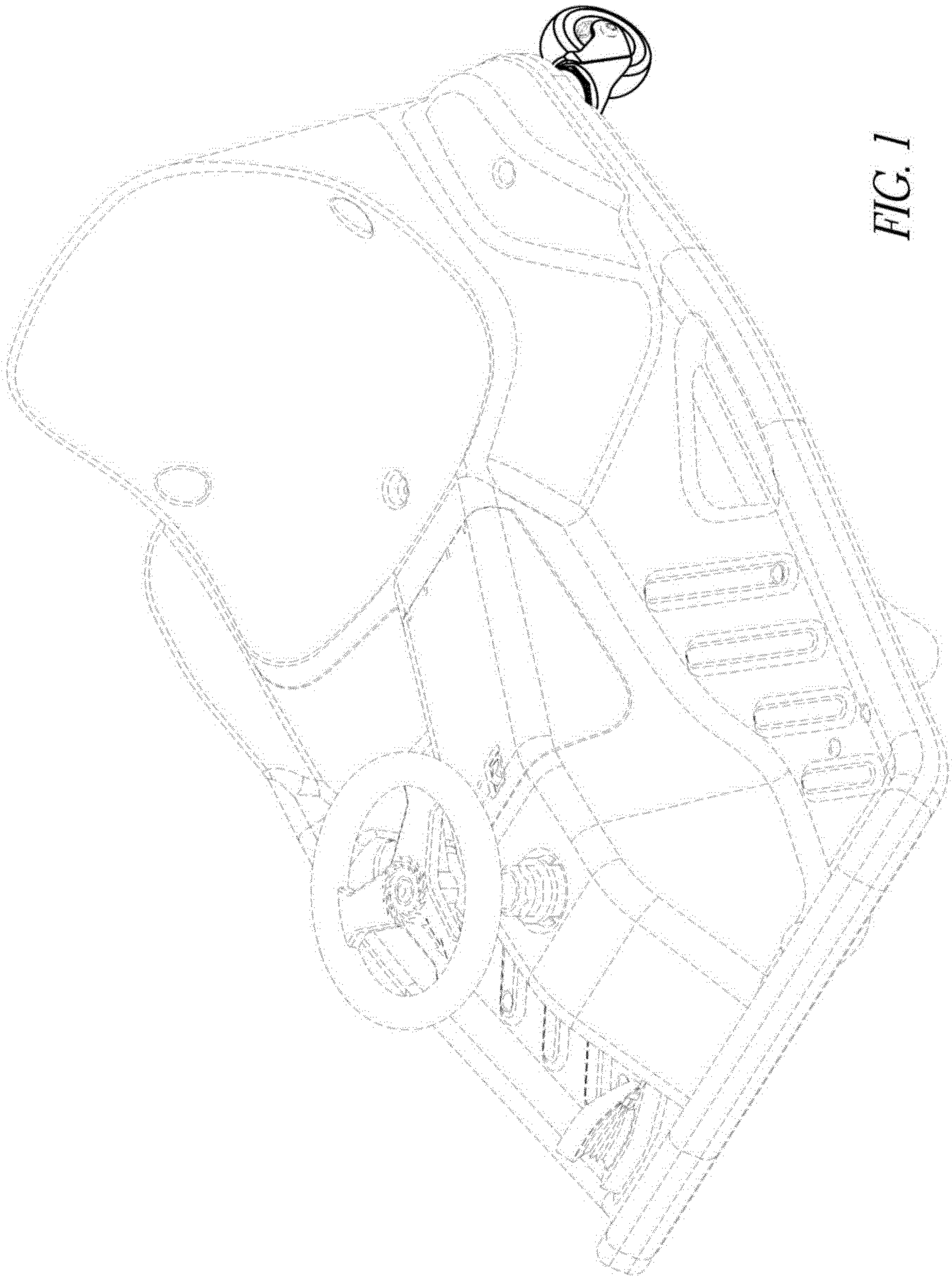


FIG. 1

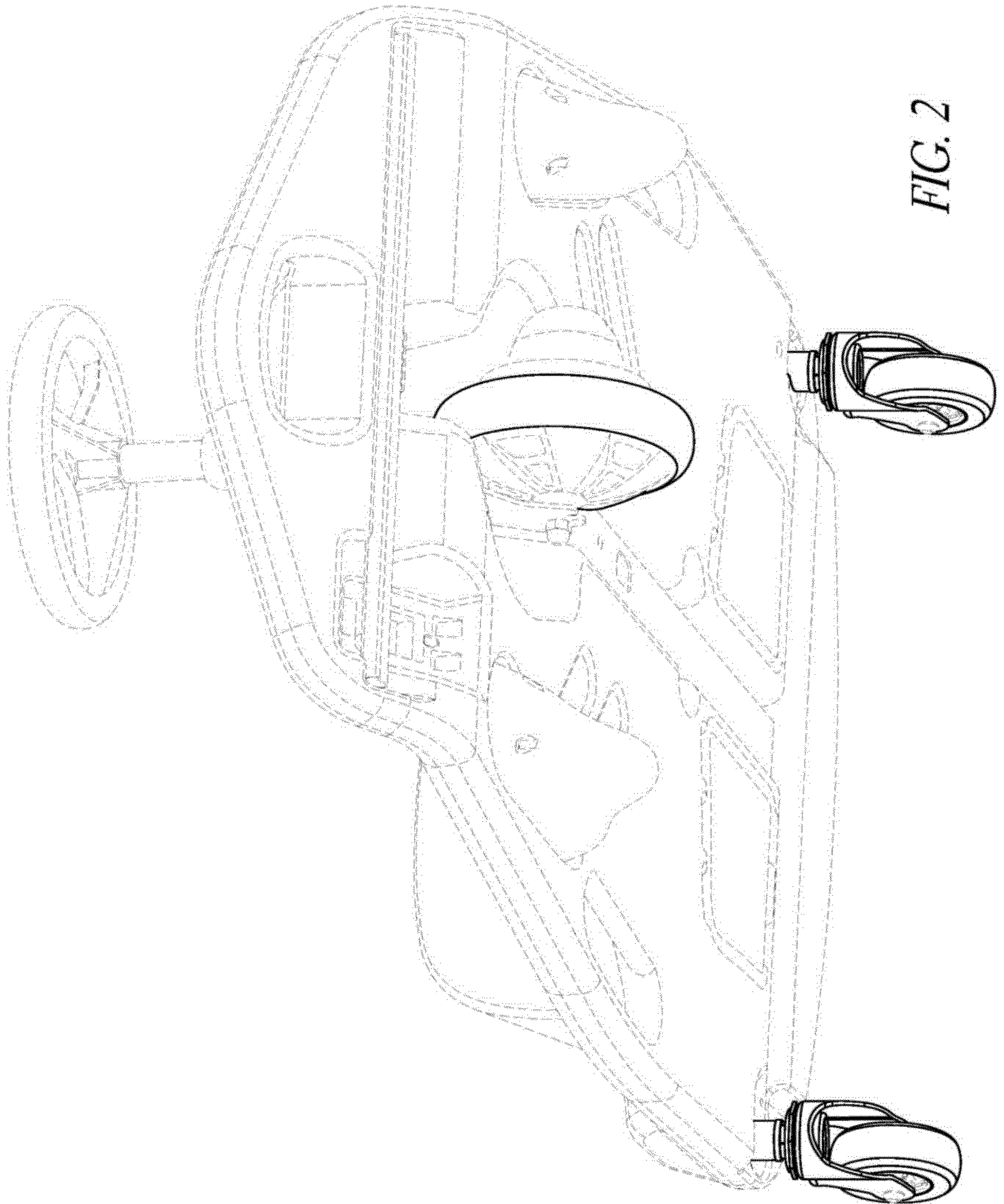


FIG. 2

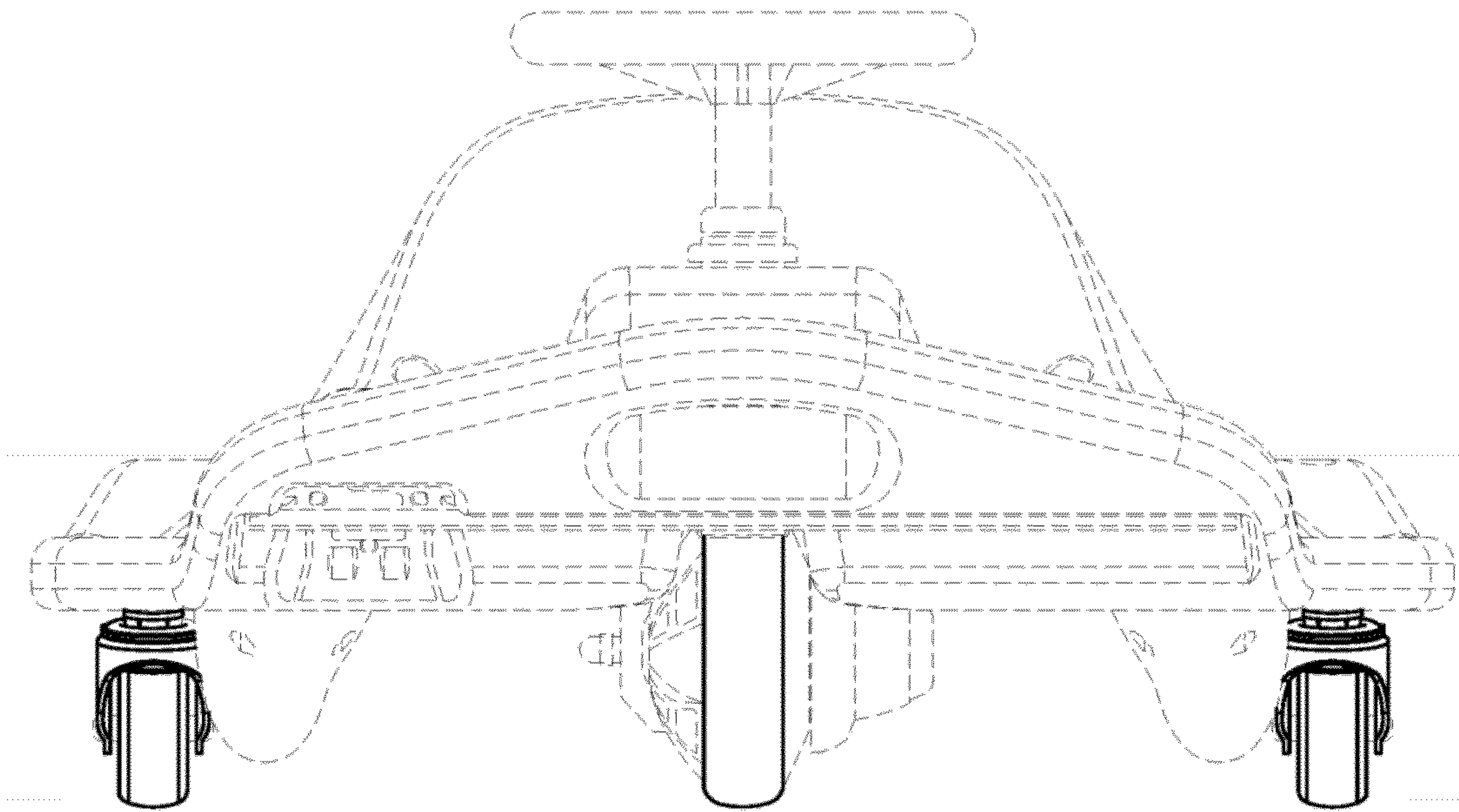


FIG. 3

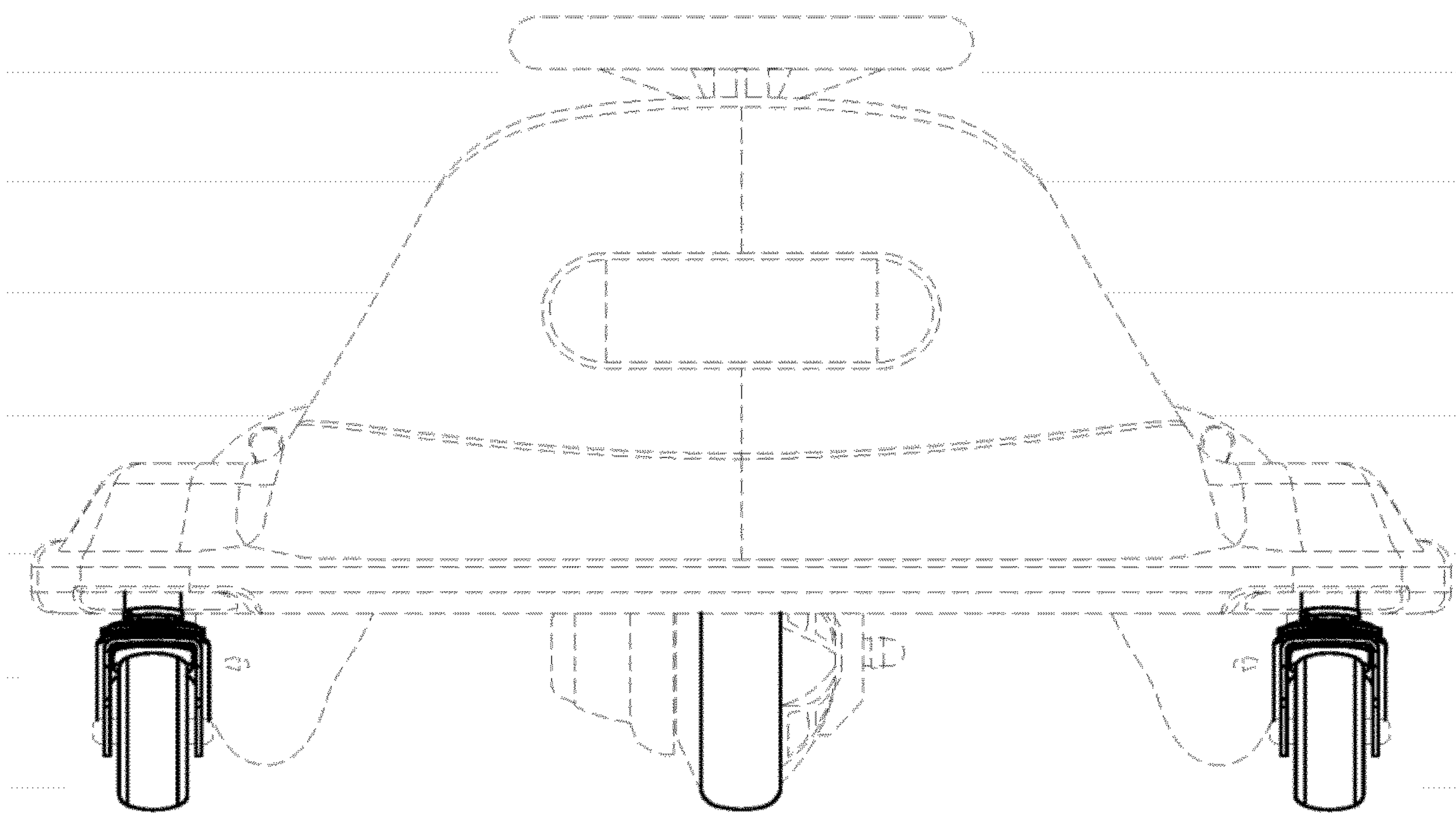


FIG. 4

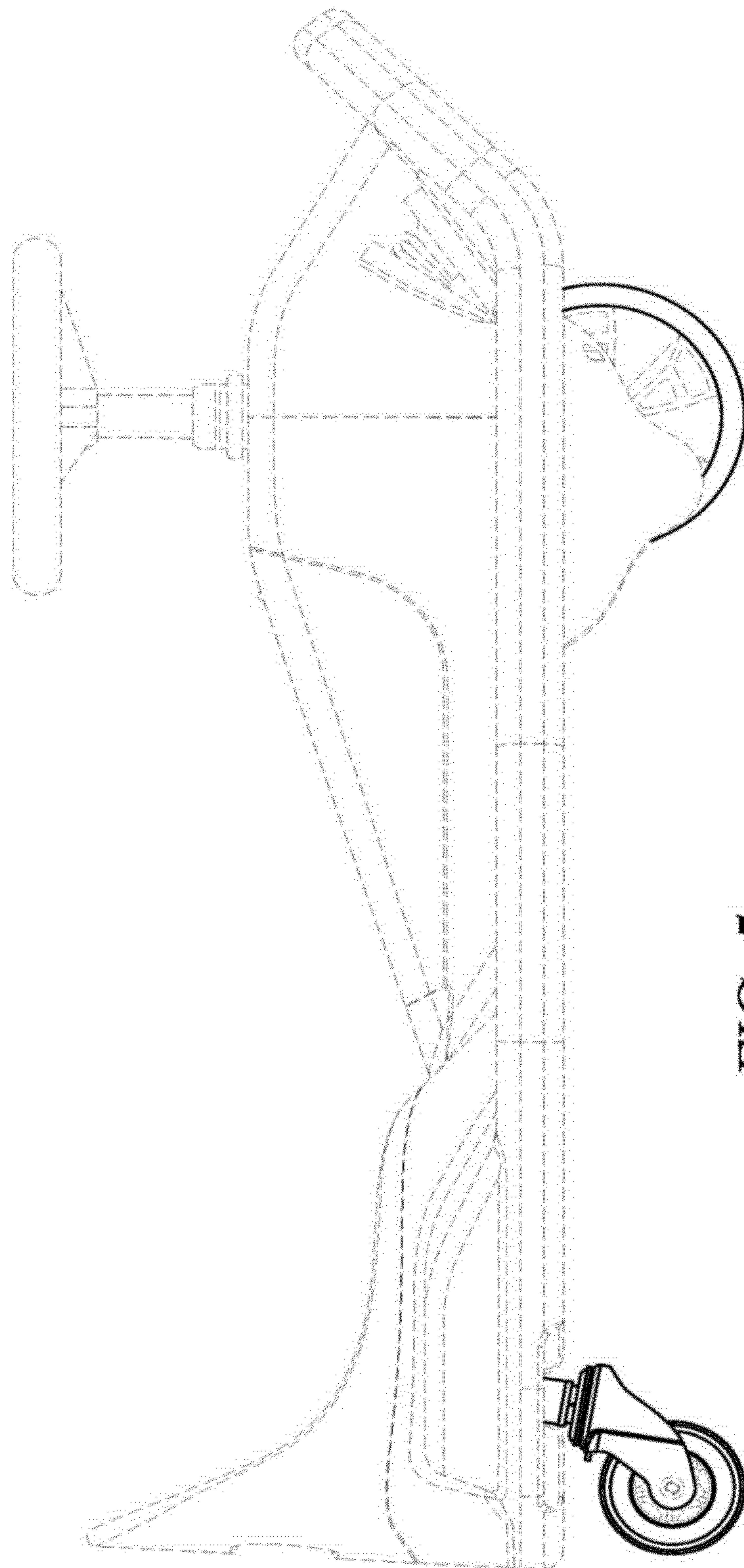


FIG. 5

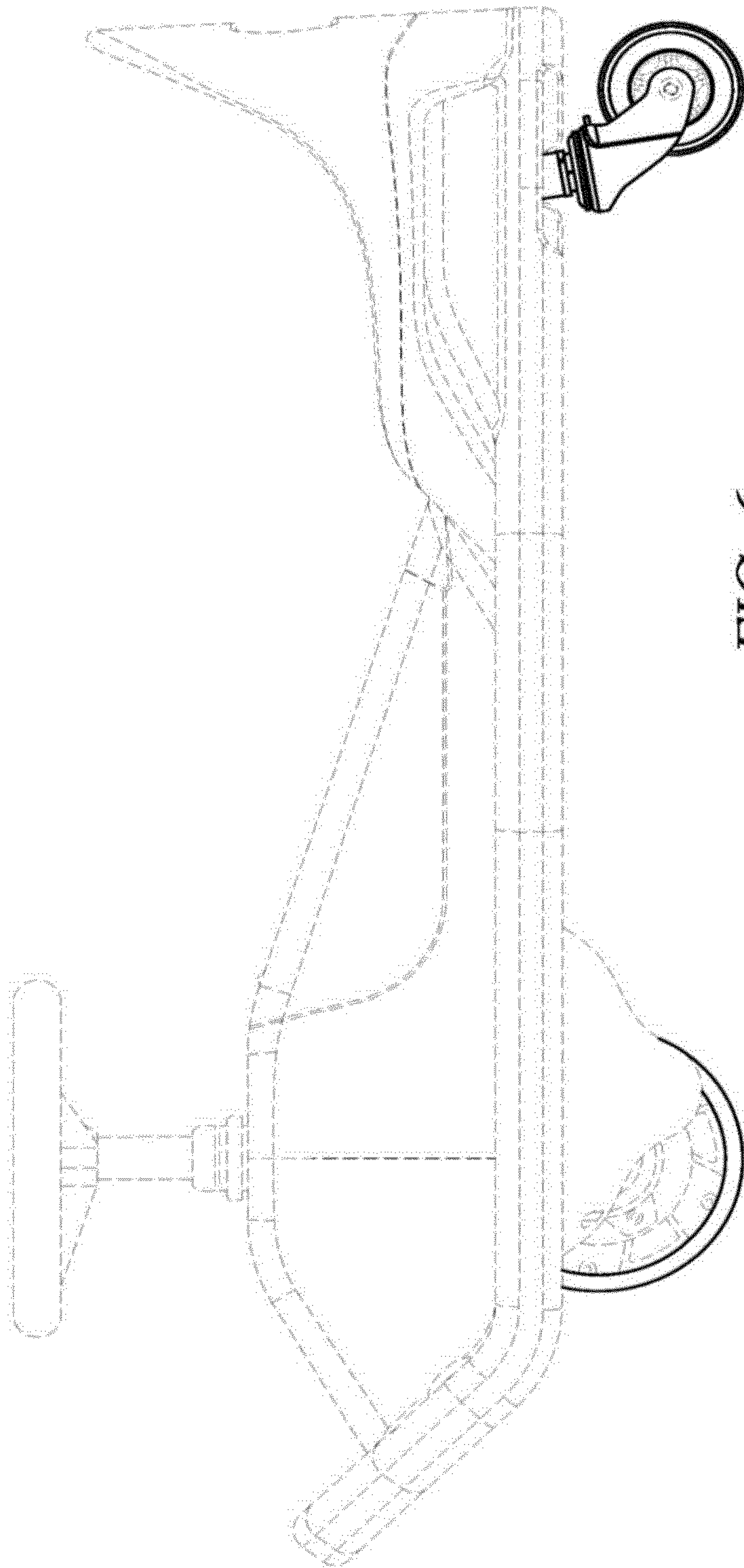


FIG. 6

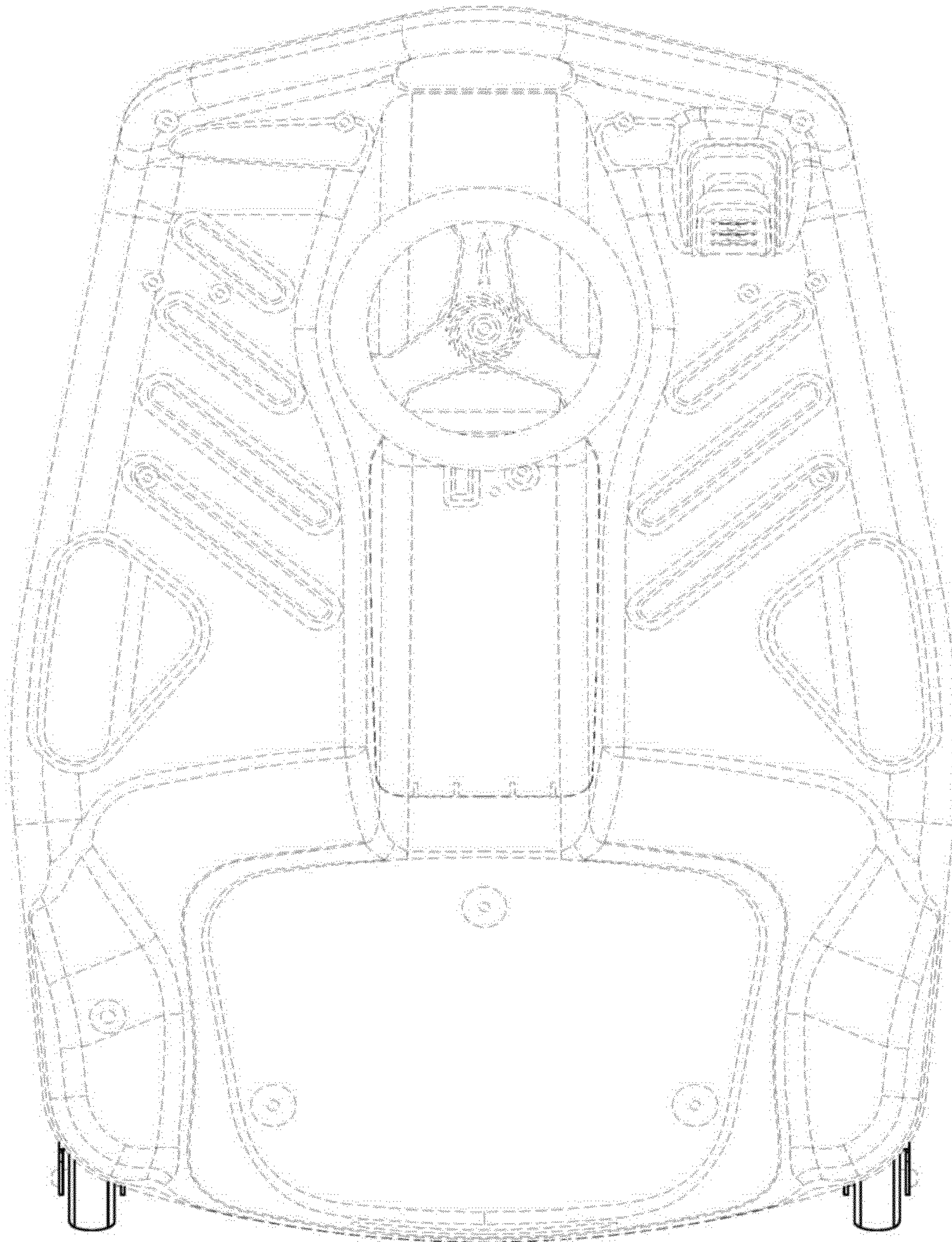


FIG. 7

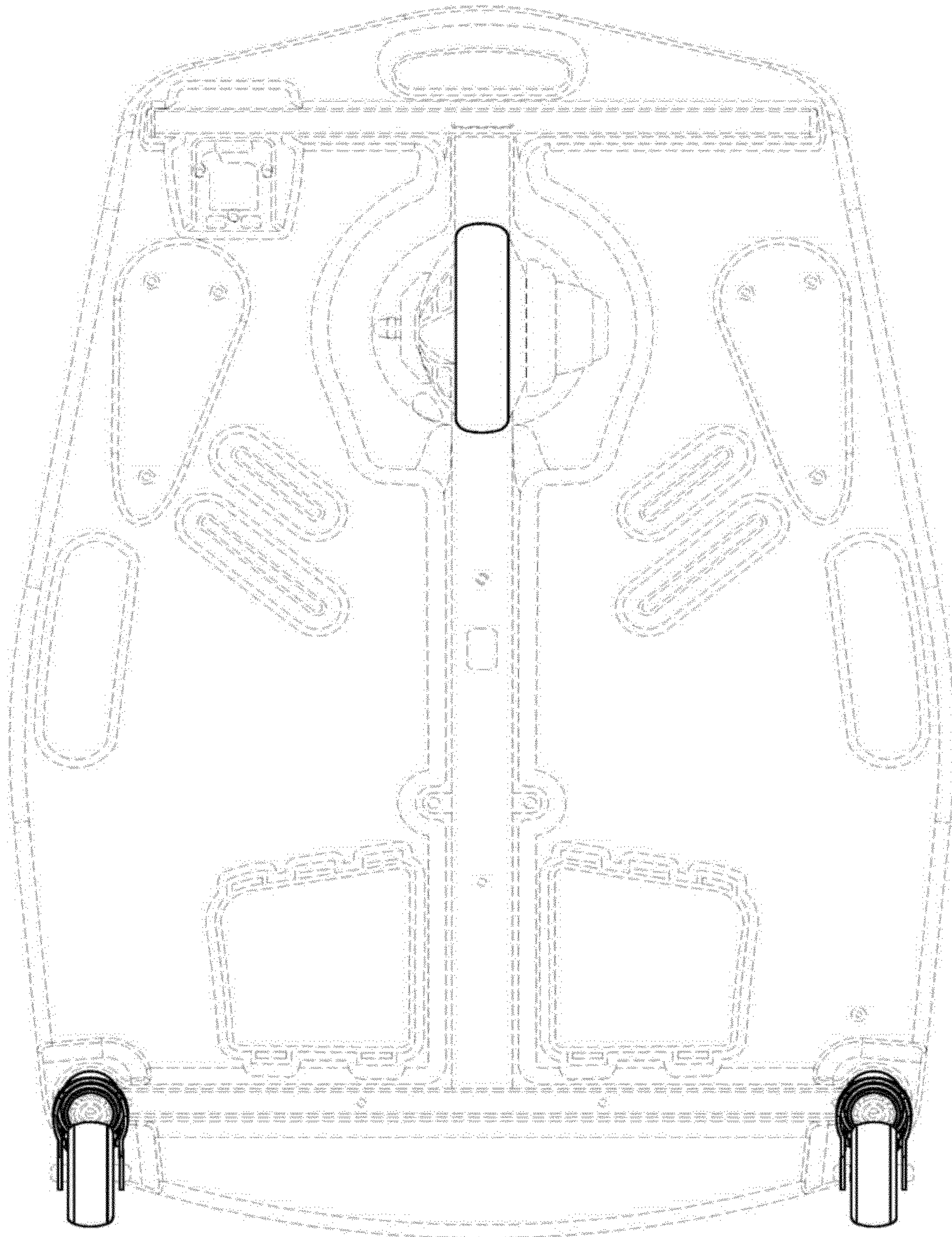


FIG. 8