



US00D957531S

(12) **United States Design Patent**
Partenio et al.

(10) **Patent No.:** **US D957,531 S**
(45) **Date of Patent:** **** Jul. 12, 2022**

(54) **ROOFTOP TENT FOR A VEHICLE**

(71) Applicant: **CAPAVENTURE—EQUIPAMENTOS PARA LAZER E TEMPOS LIVRES, LDA**, Castelo de Paiva (PT)

(72) Inventors: **Tony René Partenio**, Castelo de Paiva (PT); **Mário José Oliveira Martins**, Castelo de Paiva (PT)

(**) Term: **15 Years**

(21) Appl. No.: **35/508,617**

(22) Filed: **Dec. 19, 2019**

(80) **Hague Agreement Data**

Int. Filing Date: **Dec. 19, 2019**
Int. Reg. No.: **DM/205884**
Int. Reg. Date: **Dec. 19, 2019**
Int. Reg. Pub. Date: **Feb. 14, 2020**

(51) **LOC (13) Cl.** **21-04**

(52) **U.S. Cl.**
USPC **D21/403**

(58) **Field of Classification Search**
USPC D12/401, 403, 404; D21/834, 835, 836, D21/837, 838, 839
CPC A63H 33/008; E04H 15/00; E04H 15/02; E04H 15/06; E04H 15/08
See application file for complete search history.

(56) **References Cited**

U.S. PATENT DOCUMENTS

D311,165 S * 10/1990 Moore D12/403
D516,155 S * 2/2006 Goodwin D21/834

D822,139 S * 7/2018 Cha D21/834
D840,488 S * 2/2019 Cha D21/834
D842,959 S * 3/2019 Choi D21/834
D850,557 S * 6/2019 Choi D21/834
D852,916 S * 7/2019 Choi D21/834
D865,643 S * 11/2019 Wheeler D12/404

* cited by examiner

Primary Examiner — Joseph J Kukella

(57) **CLAIM**

The ornamental design for a rooftop tent for a vehicle, as shown and described.

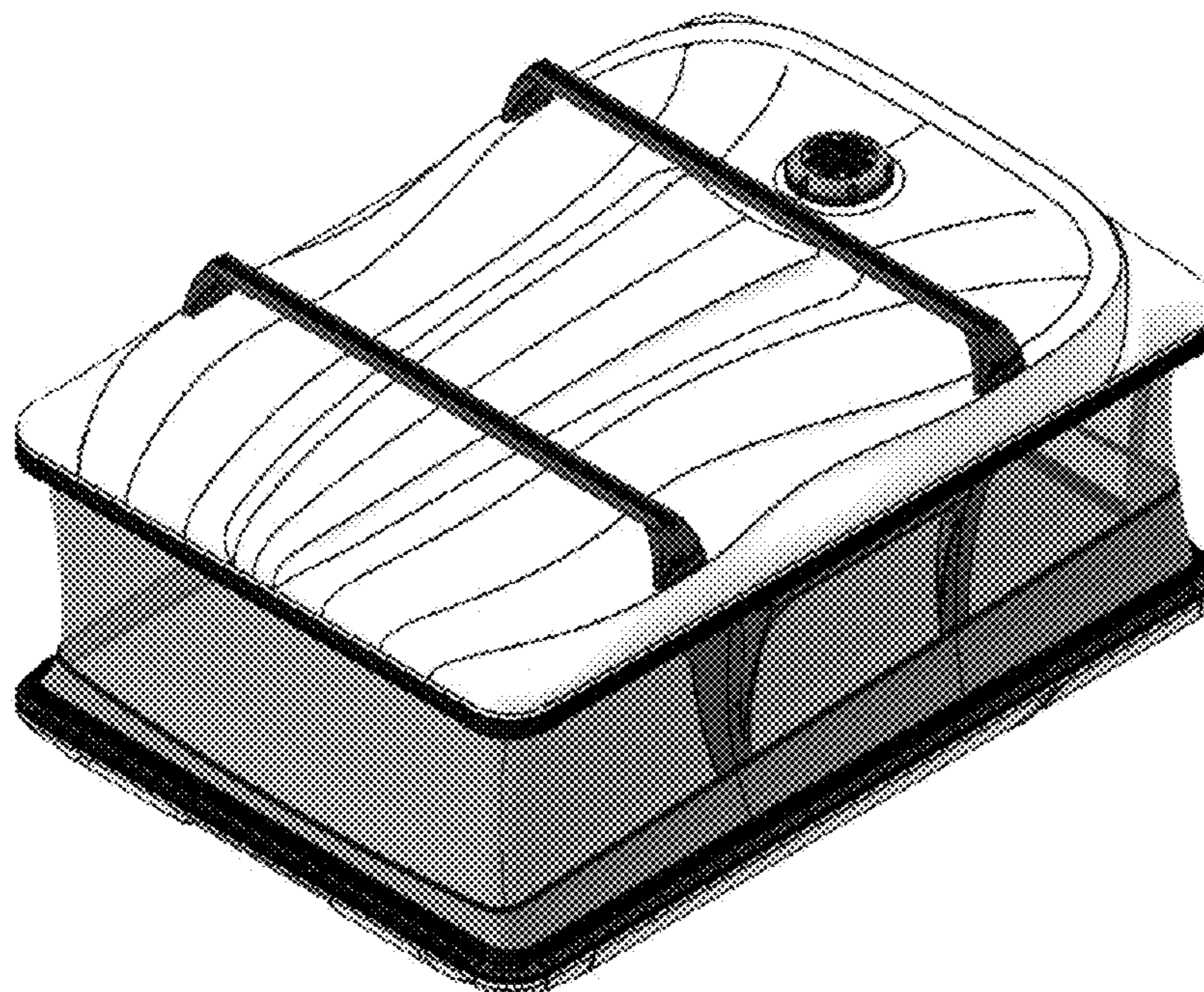
DESCRIPTION

1. Rooftop tent for vehicles

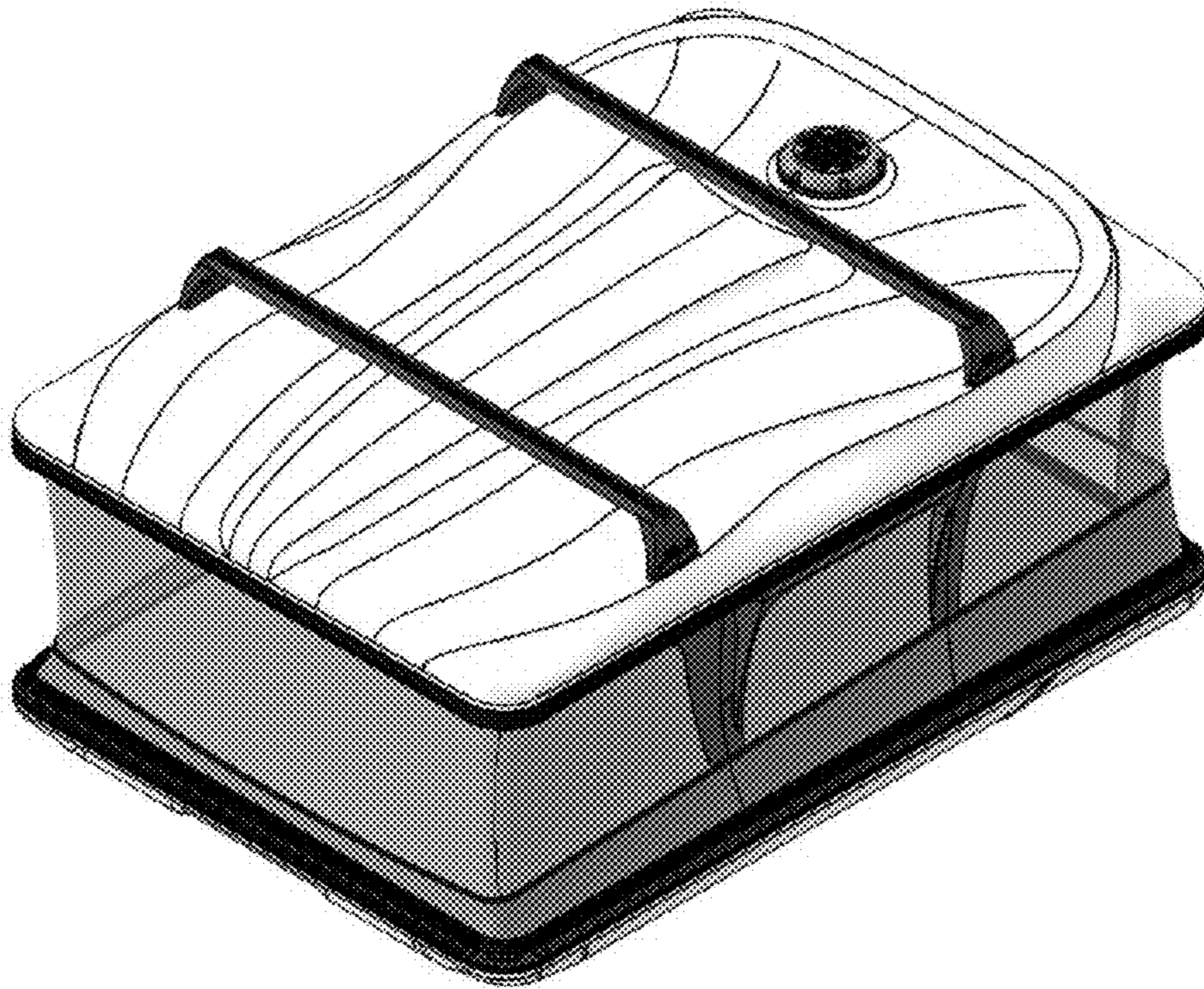
Fig. 1.1 perspective view of an opened rooftop tent for a vehicle according to the present invention; fig. 1.2 perspective right side view of an opened rooftop tent for a vehicle according to the present invention; fig. 1.3 perspective front side view of an opened rooftop tent for a vehicle according to the present invention; fig. 1.4 perspective back side view of an opened rooftop tent for a vehicle according to the present invention; fig. 1.5 perspective view of a closed rooftop tent for a vehicle according to the present invention; fig. 1.6 perspective left side view of a closed rooftop tent for a vehicle according to the present invention; fig. 1.7 perspective front side view of a closed rooftop tent for a vehicle according to the present invention; fig. 1.8 perspective back side view of a closed rooftop tent for a vehicle according to the present invention; fig. 1.9 perspective bottom view of a rooftop tent for a vehicle according to the present invention; fig. 1.10 perspective top view of a rooftop tent for a vehicle according to the present invention.

The portions shown in broken lines form no part of the claimed design.

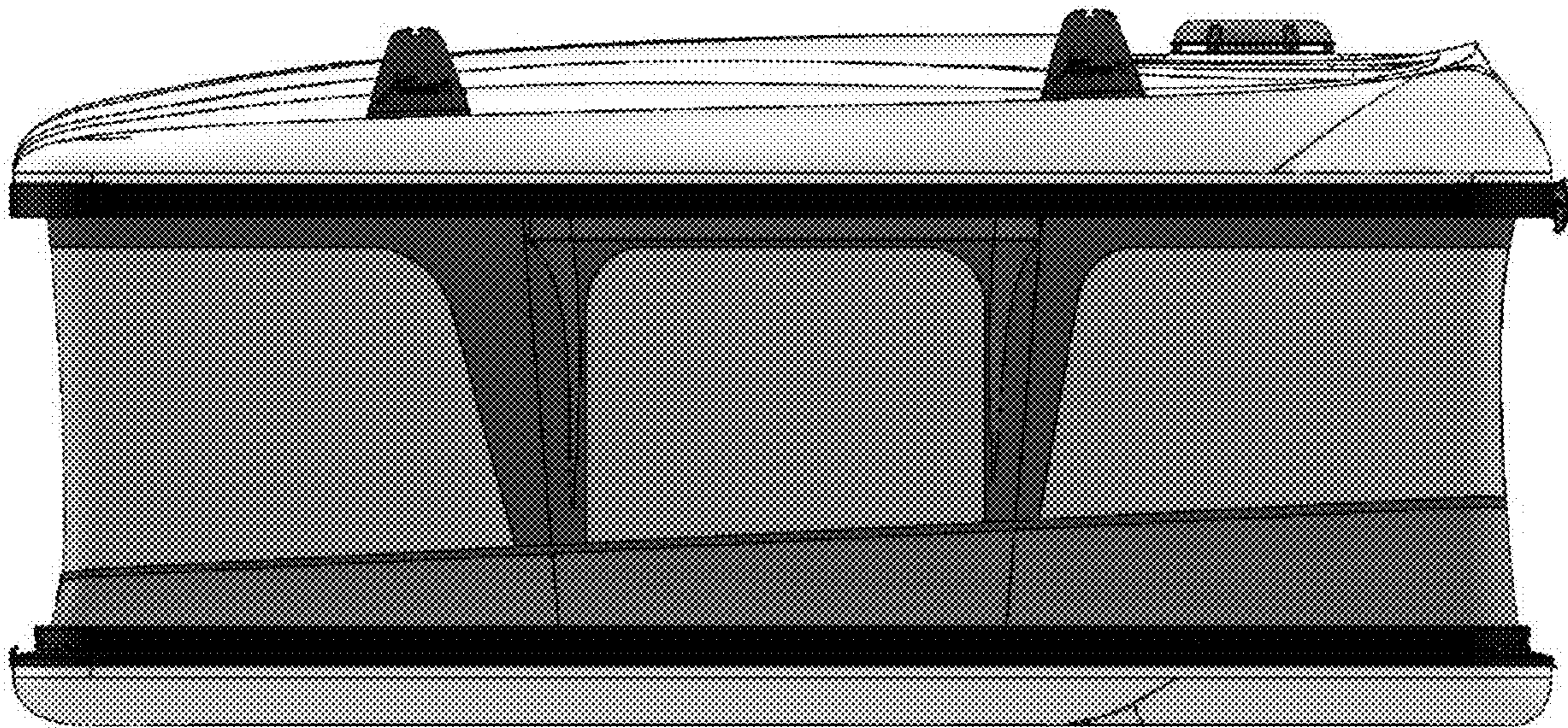
1 Claim, 10 Drawing Sheets



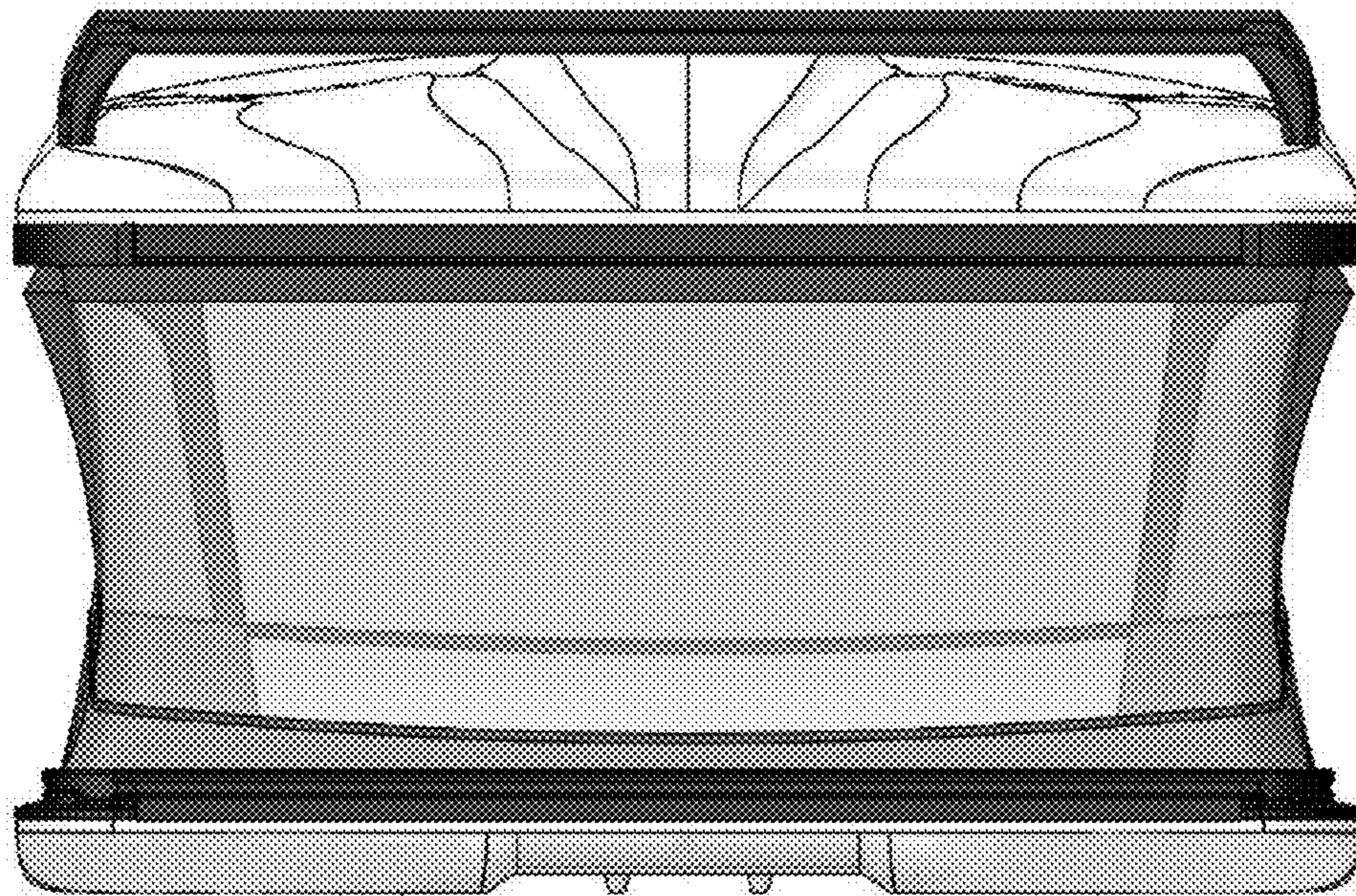
1.1



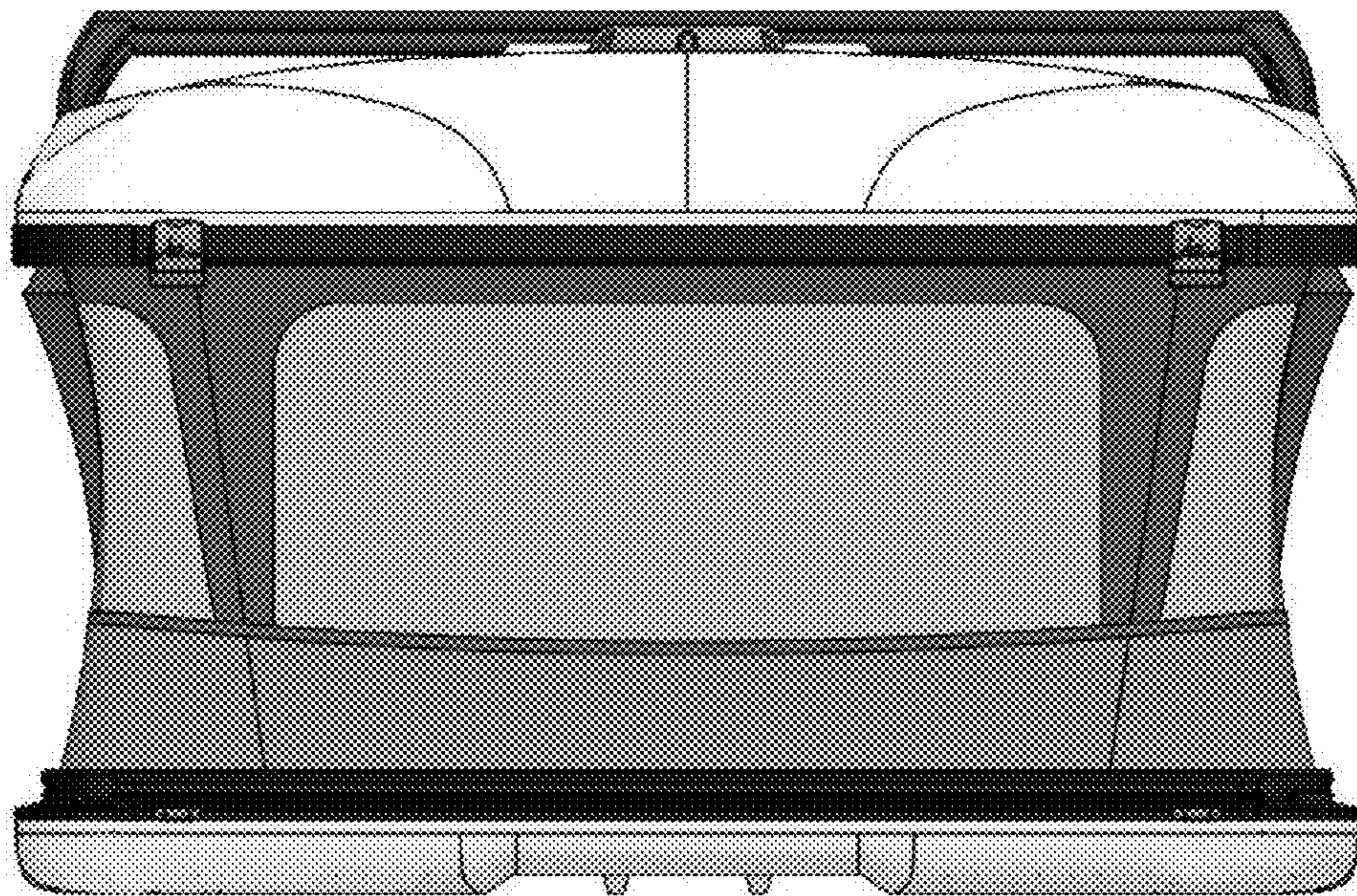
1.2



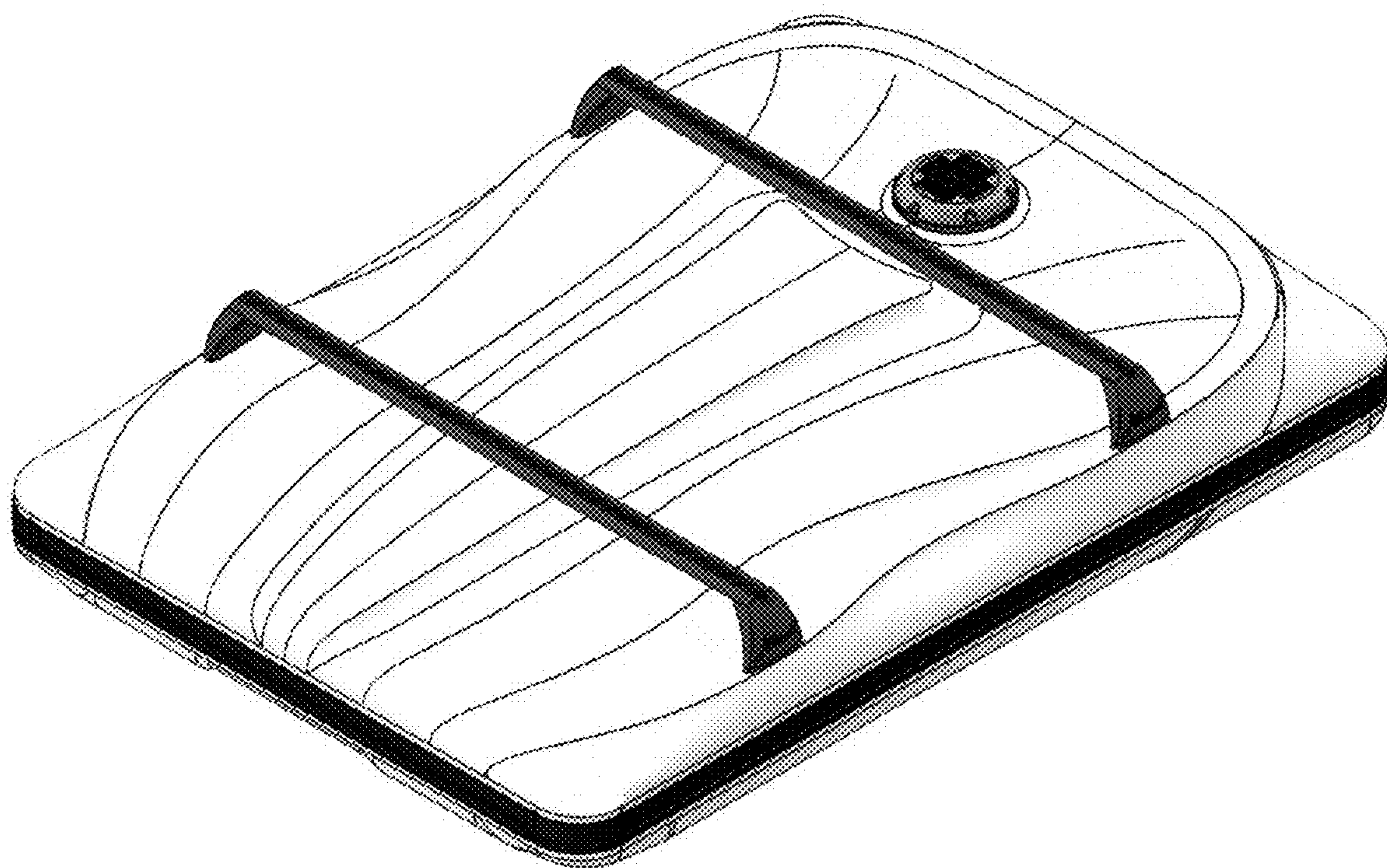
1.3



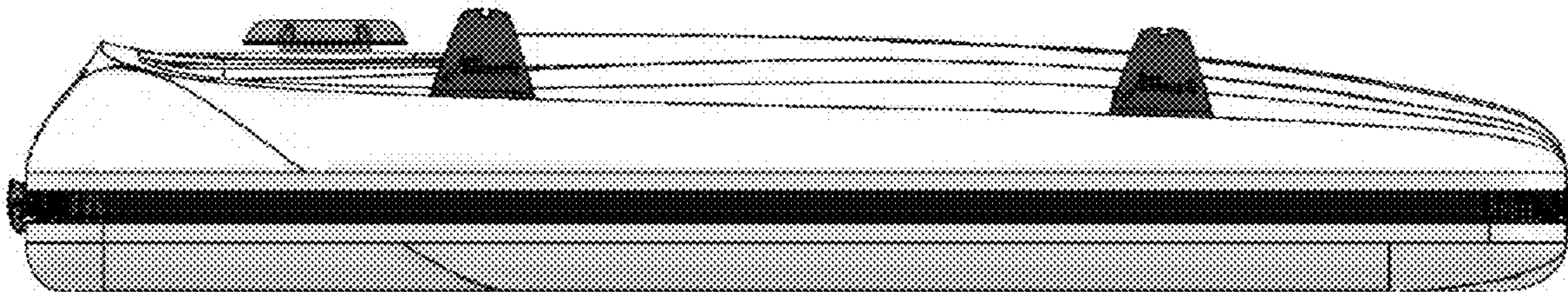
1.4



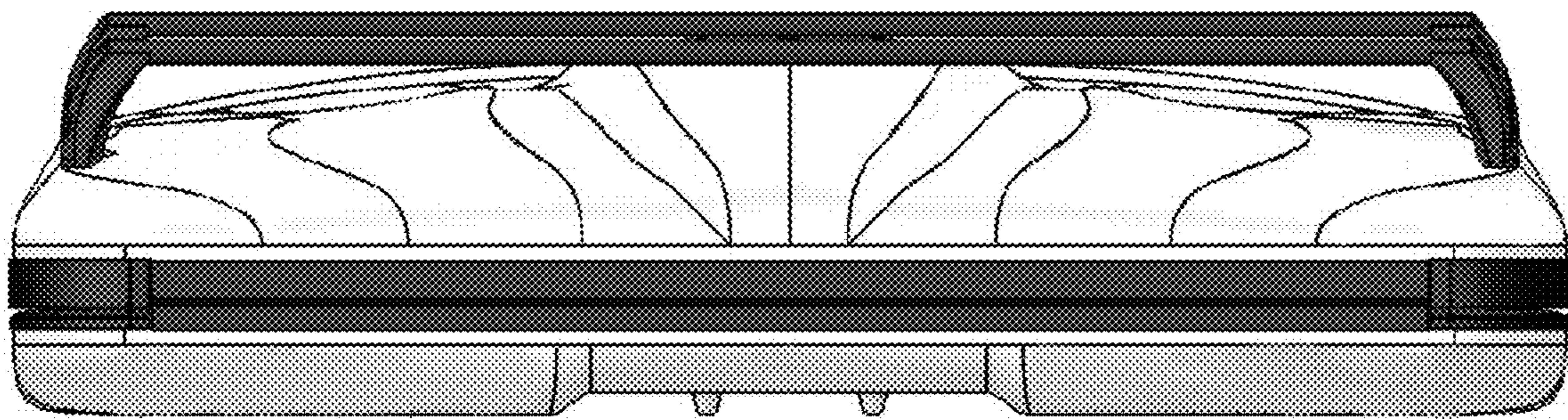
1.5



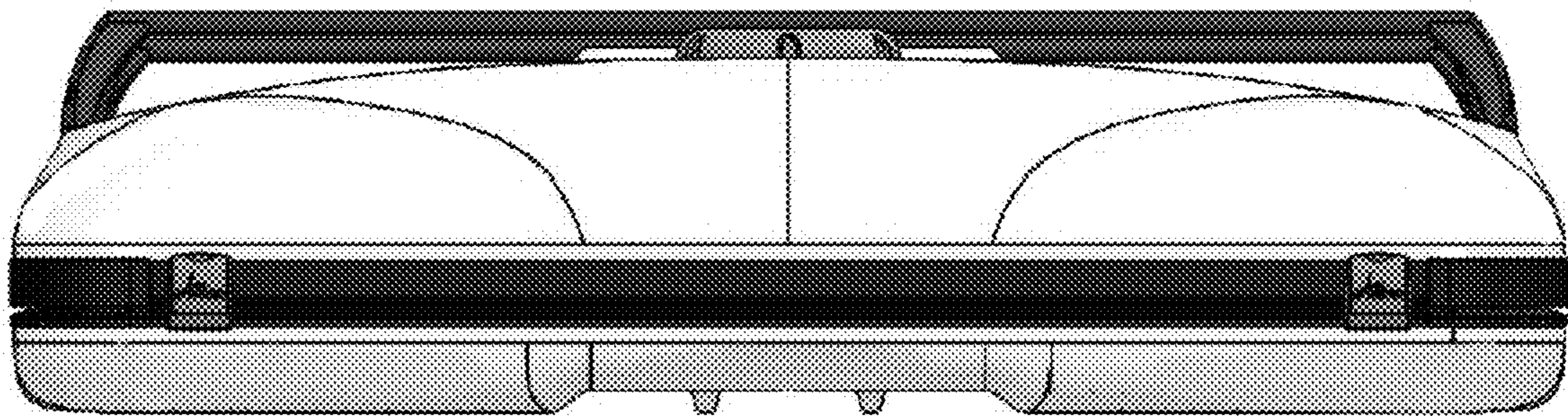
1.6



1.7



1.8





1.9

1.10

