

US00D957528S

(12) **United States Design Patent**  
**Yang**

(10) **Patent No.:** **US D957,528 S**  
(45) **Date of Patent:** **\*\* Jul. 12, 2022**

(54) **SMOKE BUBBLE MACHINE**  
(71) Applicant: **SHENZHEN QIAOHUA INDUSTRIES LIMITED**, Shenzhen (CN)  
(72) Inventor: **Ruishi Yang**, Shenzhen (CN)  
(73) Assignee: **SHENZHEN QIAOHUA INDUSTRIES LIMITED**, Shenzhen (CN)

7,302,170 B1 \* 11/2007 Chen ..... F22B 1/282  
392/398  
8,451,132 B1 \* 5/2013 Van Vleet ..... G08B 21/14  
340/630  
D717,880 S \* 11/2014 Chen ..... D21/401  
10,156,353 B2 \* 12/2018 Chang ..... A63J 5/025  
D916,981 S \* 4/2021 Yang ..... D21/401  
D916,982 S \* 4/2021 Yang ..... D21/401  
11,173,415 B1 \* 11/2021 Yang ..... A63H 33/28

(Continued)

(\*\*) Term: **15 Years**  
(21) Appl. No.: **29/751,039**  
(22) Filed: **Sep. 18, 2020**

(30) **Foreign Application Priority Data**

Sep. 11, 2020 (CN) ..... 202030539356.9

(51) **LOC (13) Cl.** ..... **21-01**  
(52) **U.S. Cl.**  
USPC ..... **D21/401**  
(58) **Field of Classification Search**  
USPC ..... D21/401, 402, 473, 398  
CPC ..... A63H 33/28; A63H 33/00; A63J 5/025;  
A63J 5/02

See application file for complete search history.

(56) **References Cited**

**U.S. PATENT DOCUMENTS**

4,044,496 A \* 8/1977 Jernstrom ..... A63H 33/28  
446/16  
D274,415 S \* 6/1984 Stansbury, Jr. .... D10/106.2  
D275,936 S \* 10/1984 Coyer ..... D10/106.2  
4,871,115 A \* 10/1989 Hessey ..... A63J 5/025  
392/484  
5,474,483 A \* 12/1995 Sun ..... A63H 3/005  
280/47.35  
7,144,291 B2 \* 12/2006 Thai ..... A63H 33/28  
446/15

**OTHER PUBLICATIONS**

1 By One Automatic Portable Bubble Blower Machine for Kids.  
Date First Available: Jul. 22, 2017. Retrieved from internet: <<https://www.amazon.ca/Bubble-1byone-Blowing-Speed-Levels/dp/B072J1GX6M>> [site visited Feb. 28, 2022] (Year: 2017).\*

(Continued)

*Primary Examiner* — Katherine Glennon

*Assistant Examiner* — Yuan Yuan

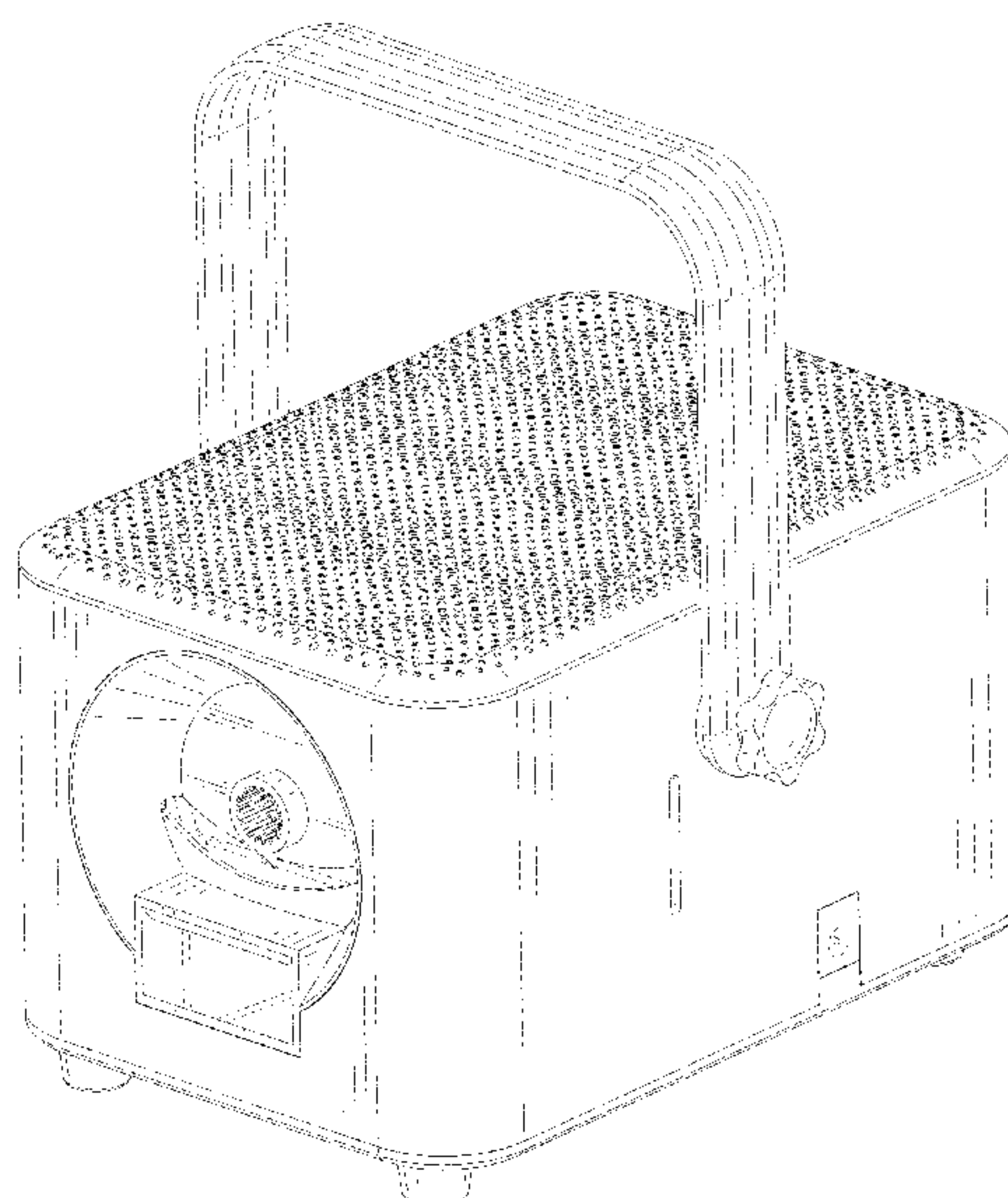
(57) **CLAIM**

The ornamental design for a smoke bubble machine, as shown and described.

**DESCRIPTION**

FIG. 1 is a perspective view of a smoke bubble machine showing my new design;  
FIG. 2 is another perspective view thereof;  
FIG. 3 is a front elevational view thereof;  
FIG. 4 is a rear elevational view thereof;  
FIG. 5 is a left side elevational view thereof;  
FIG. 6 is a right side elevational view thereof;  
FIG. 7 is a top plan view thereof; and,  
FIG. 8 is a bottom plan view thereof.  
The broken lines in the drawings depict portions of the smoke bubble machine that form no part of the claimed design.

**1 Claim, 8 Drawing Sheets**



(56)

**References Cited**

U.S. PATENT DOCUMENTS

2006/0052028 A1\* 3/2006 Thai ..... A63H 33/28  
446/16  
2009/0017713 A1\* 1/2009 Chung ..... A63J 5/025  
446/15  
2017/0128825 A1\* 5/2017 Wu ..... A63H 17/32  
2017/0363283 A1\* 12/2017 Chang ..... A63J 5/025  
2019/0126161 A1\* 5/2019 Yang ..... A63J 5/02  
2020/0139262 A1\* 5/2020 Yang ..... A63H 33/28

OTHER PUBLICATIONS

Bubble Machine Automatic bubble blower. Date First Available:  
Aug. 22, 2019. Retrieved from internet: <<https://www.amazon.ca/dp/B07WP7GTDH/>> [site visited Feb. 28, 2022] (Year: 2019).\*

\* cited by examiner

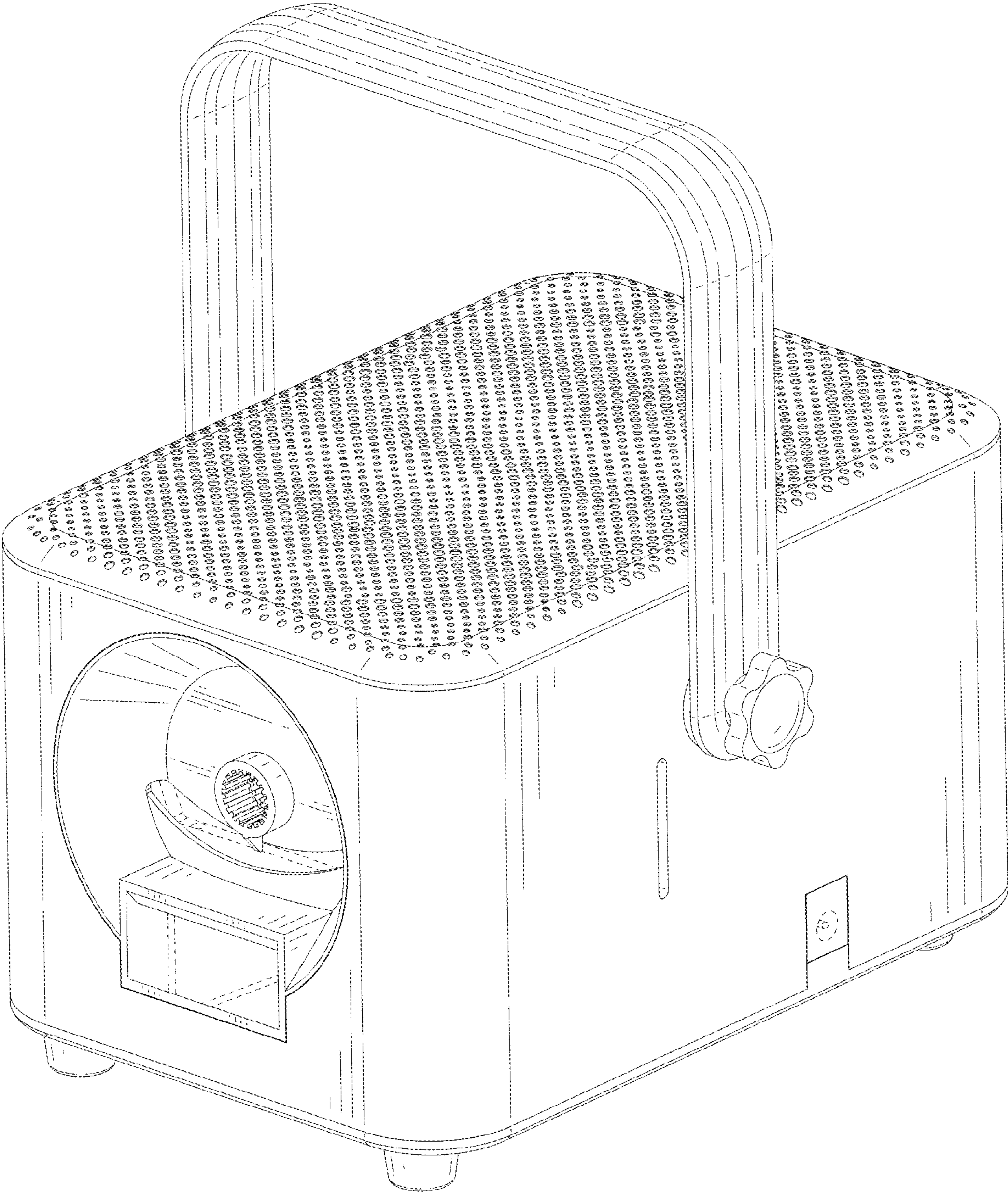


FIG. 1



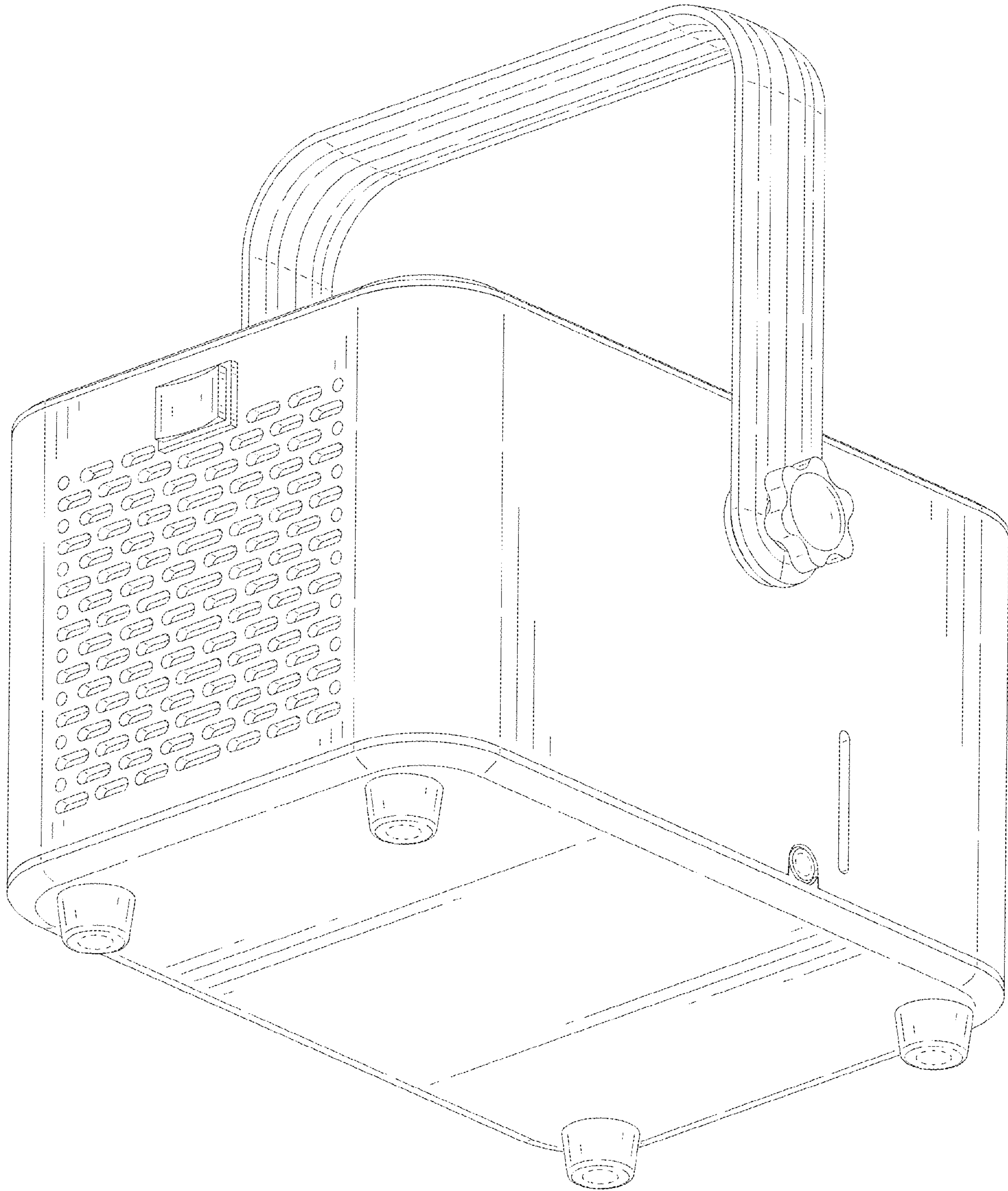


FIG. 2

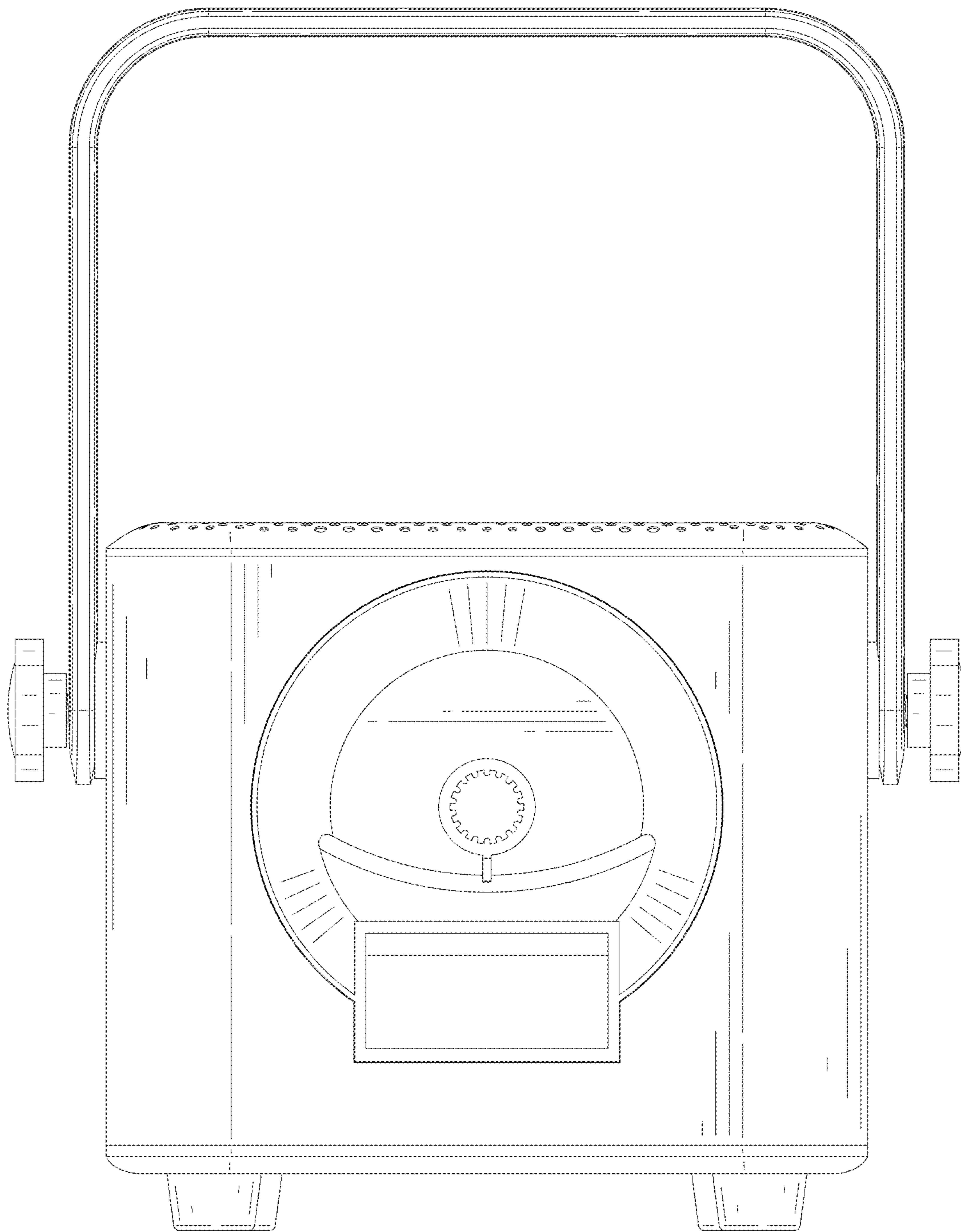


FIG. 3

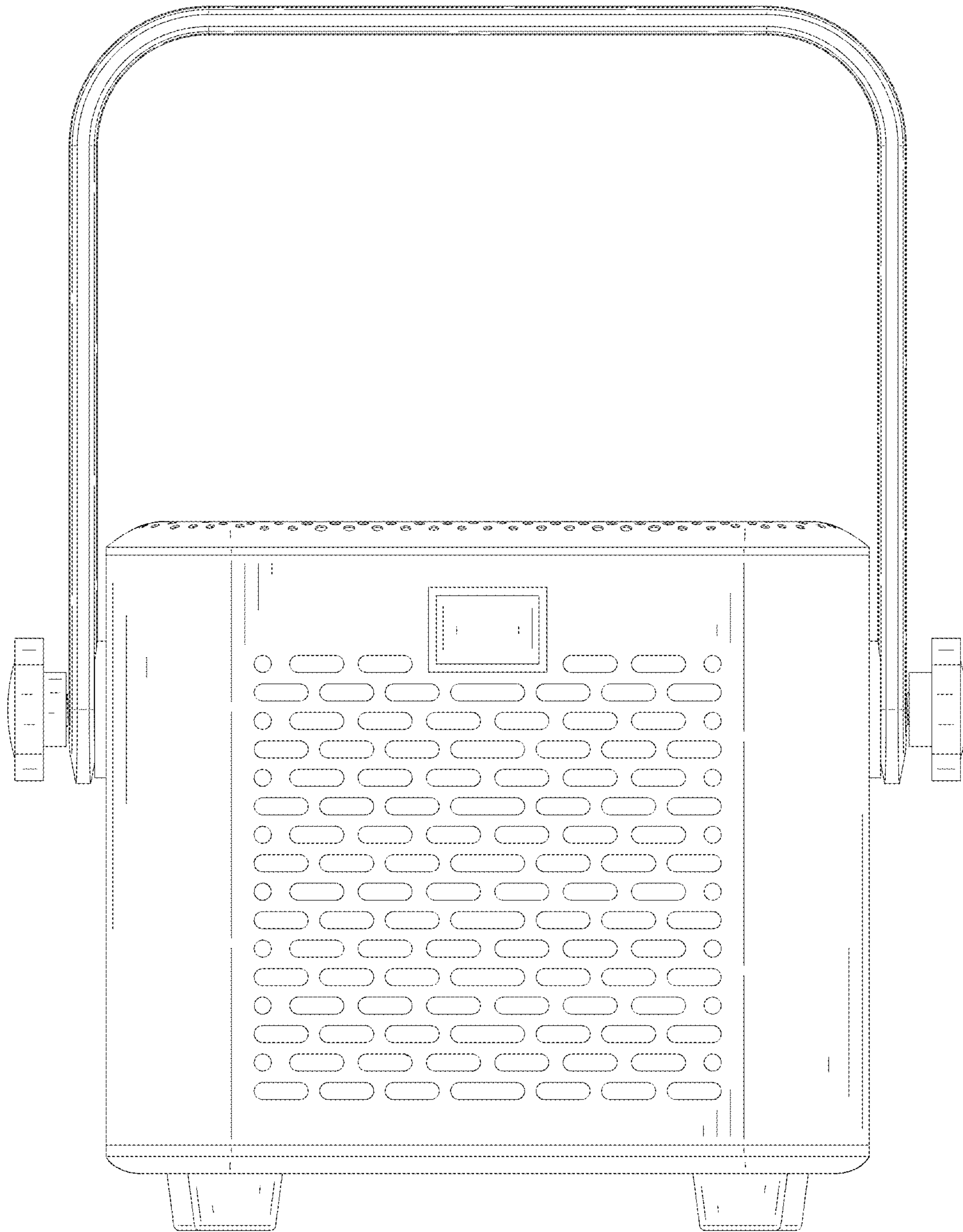


FIG. 4

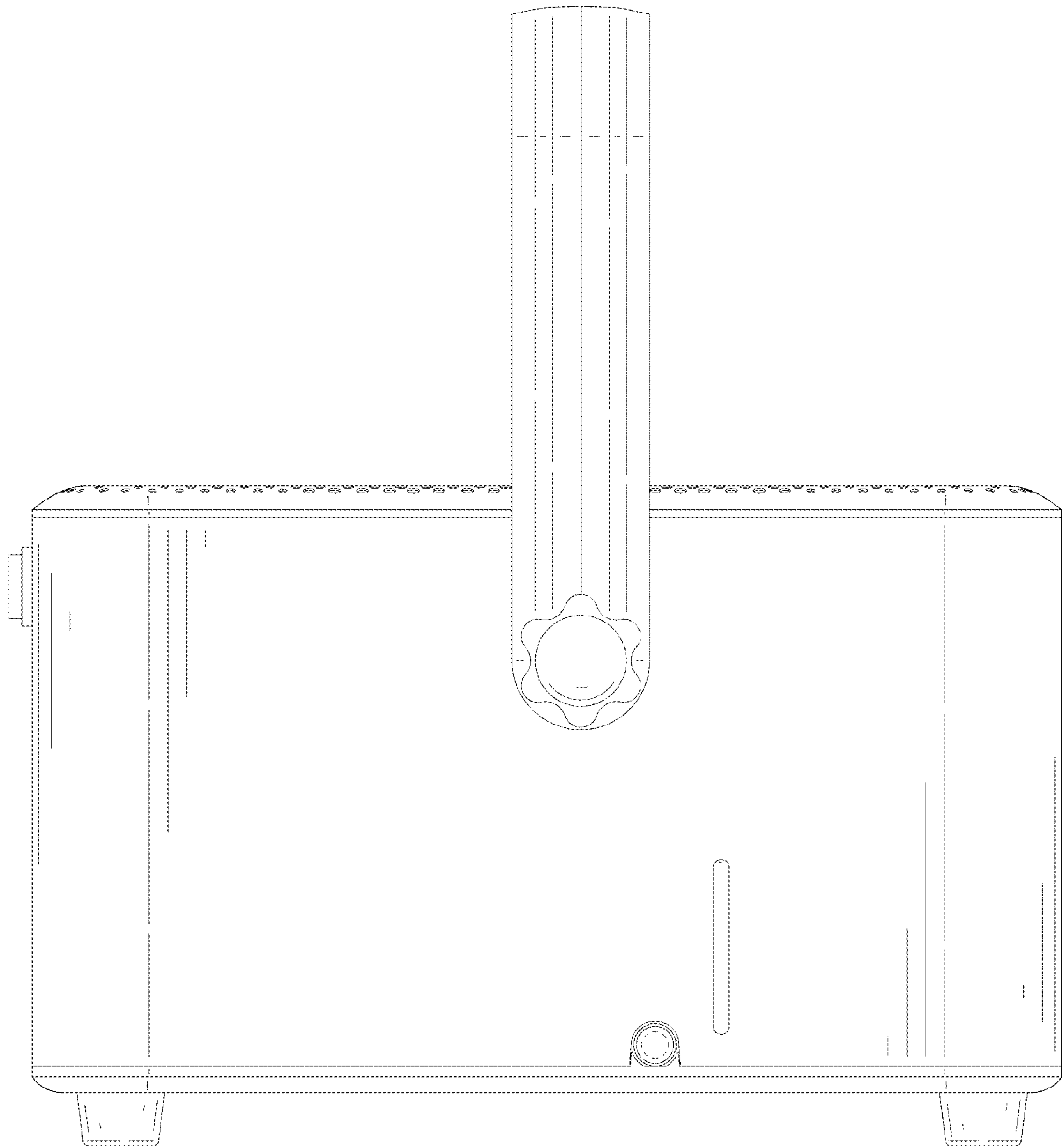


FIG. 5

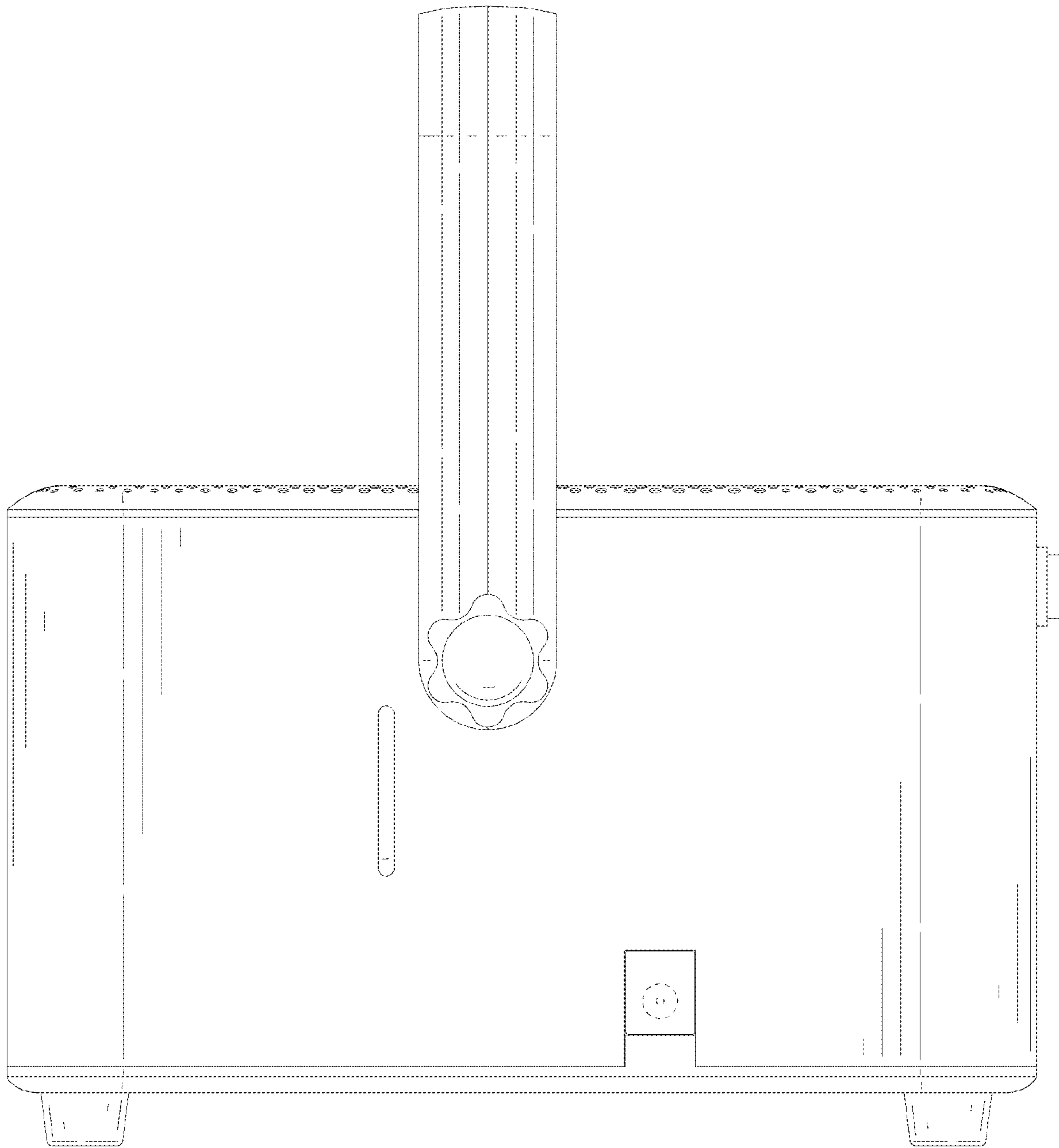


FIG. 6



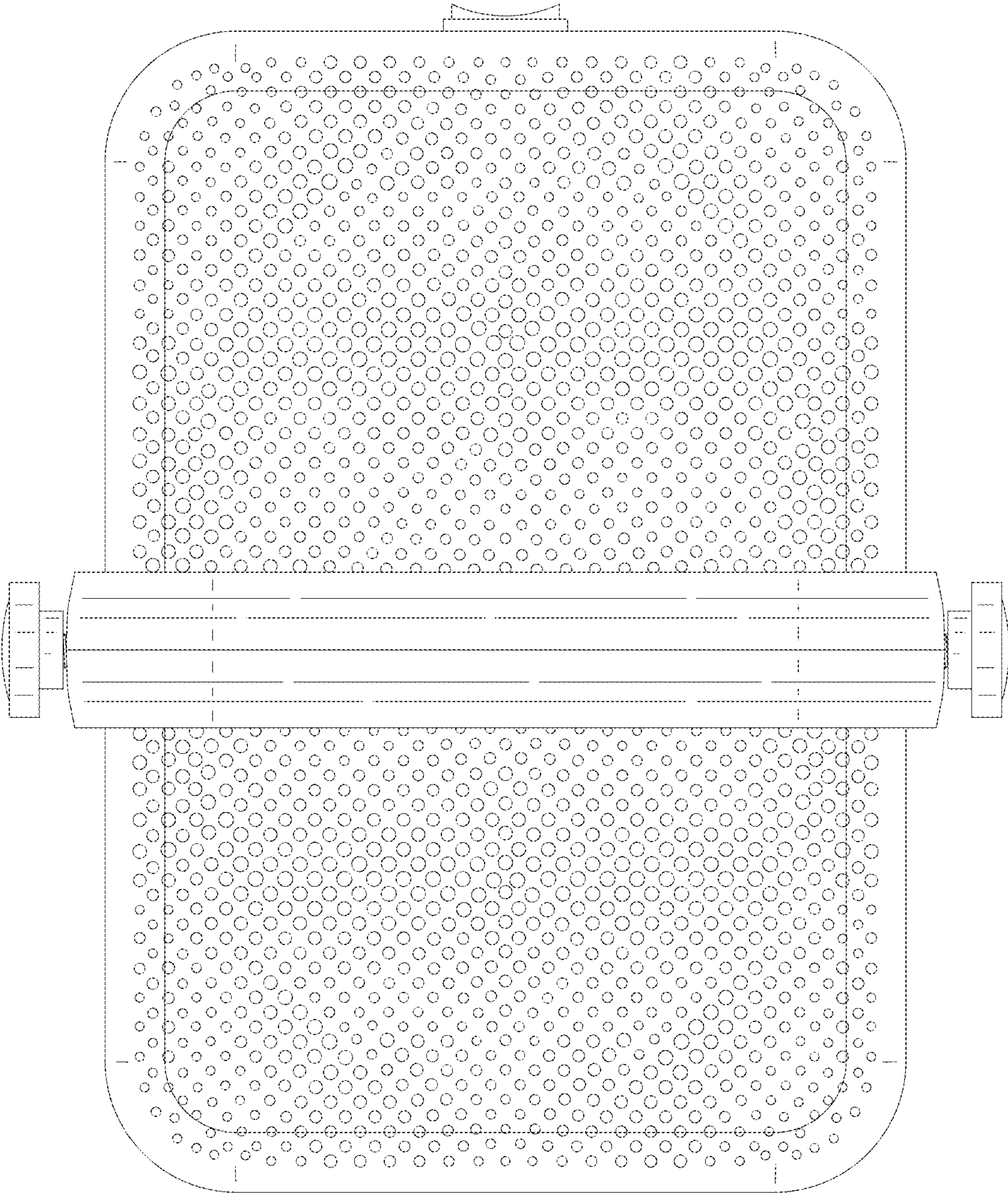


FIG. 7

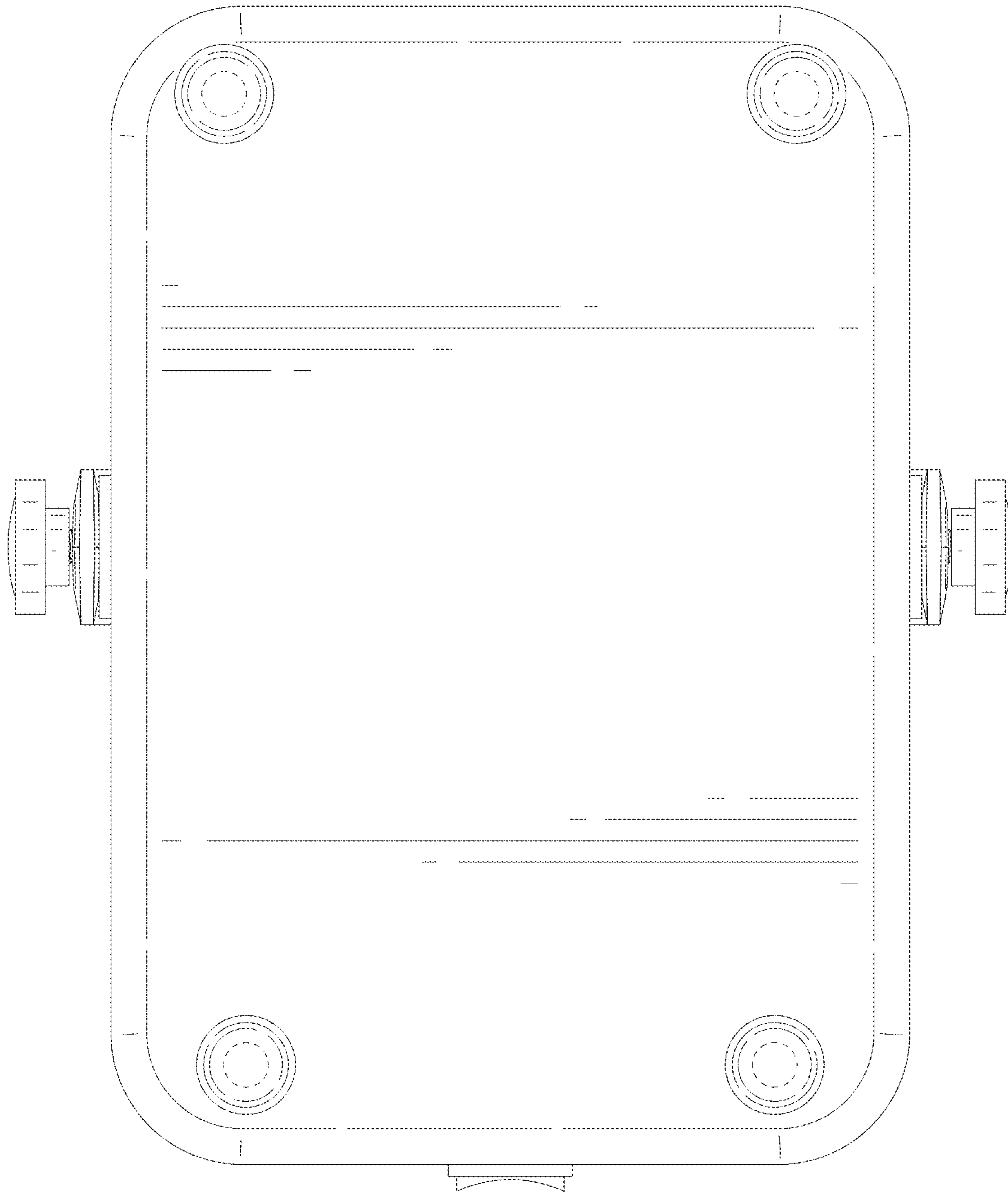


FIG. 8