



US00D957527S

(12) **United States Design Patent**
Disla

(10) **Patent No.:** **US D957,527 S**
(45) **Date of Patent:** **** Jul. 12, 2022**

- (54) **RING TOY**
- (71) Applicant: **Living Active LLC**, Kansas City, MO (US)
- (72) Inventor: **Livy Disla**, Kansas City, MO (US)
- (*) Notice: Patent file contains an affidavit/declaration under 37 CFR 1.130(b).
- (**) Term: **15 Years**
- (21) Appl. No.: **29/797,674**
- (22) Filed: **Jul. 1, 2021**
- (51) **LOC (13) Cl.** **21-01**
- (52) **U.S. Cl.**
USPC **D21/398**
- (58) **Field of Classification Search**
USPC D21/300, 301, 302, 303, 304, 306, 309, D21/322, 335, 334, 344, 401, 466, 699, D21/716, 719, 788, 398
CPC A63B 69/0079; A63B 2071/026; A63B 63/00; A63B 65/00; A63B 67/00; A63B 71/0036; A63B 67/06; A63F 1/067; A47B 25/00
See application file for complete search history.

- D684,636 S 6/2013 Chen
- 9,533,236 B2 1/2017 Brunner
- D818,664 S * 5/2018 Martinez D34/33
- D900,223 S * 10/2020 Meyer D21/302
- D902,317 S * 11/2020 McGetrick D21/309
- D915,519 S * 4/2021 McGetrick D21/309
- 2021/0113901 A1* 4/2021 McGetrick A63B 67/06

OTHER PUBLICATIONS

“Handheld right toss game” posted May 10, 2021 [Online],[Retrieved Apr. 18, 2022], retrieved from Internet: <https://amzn.to/3mYdtKh>.*

“Canuan Ring Hook Game” posted Apr. 24, 2021 [Online],[Retrieved Apr. 18, 2022], retrieved from Internet: <https://amzn.to/3ocYUSO>.*

“Toss Ring Games for Kids Adults . . . ” posted Apr. 4, 2021 [Online],[Retrieved Apr. 18, 2022], retrieved from Internet: https://www.amazon.com/product-reviews/B093TJYY24/ref=pd_lpo_cr_1?pd_rd_i=B093TJYY24.*

“Bestdon Toss Games for Adults and Family” posted May 4, 2021 [Online],[Retrieved Apr. 18, 2022], retrieved from Internet: <https://amzn.to/3C5m2r8>.*

(Continued)

Primary Examiner — Mehri F Bajoul
(74) *Attorney, Agent, or Firm* — Zheng Liu

(57) **CLAIM**

The ornamental design for a ring toy, as shown and described.

(56) **References Cited**

U.S. PATENT DOCUMENTS

- 2,942,886 A * 6/1960 Ackerman A63B 67/10 D21/309
- D236,220 S * 8/1975 Nicodemus et al. D21/309
- D246,002 S * 10/1977 Hahne D21/309
- D285,811 S * 9/1986 Donahoe D21/309
- D423,057 S * 4/2000 Mooney D21/304
- D478,357 S 8/2003 Penna
- D611,995 S * 3/2010 Taylor D21/309
- 8,011,664 B2* 9/2011 Hilbert, Jr. A63B 67/06 273/331
- D671,598 S 11/2012 Makaruk

DESCRIPTION

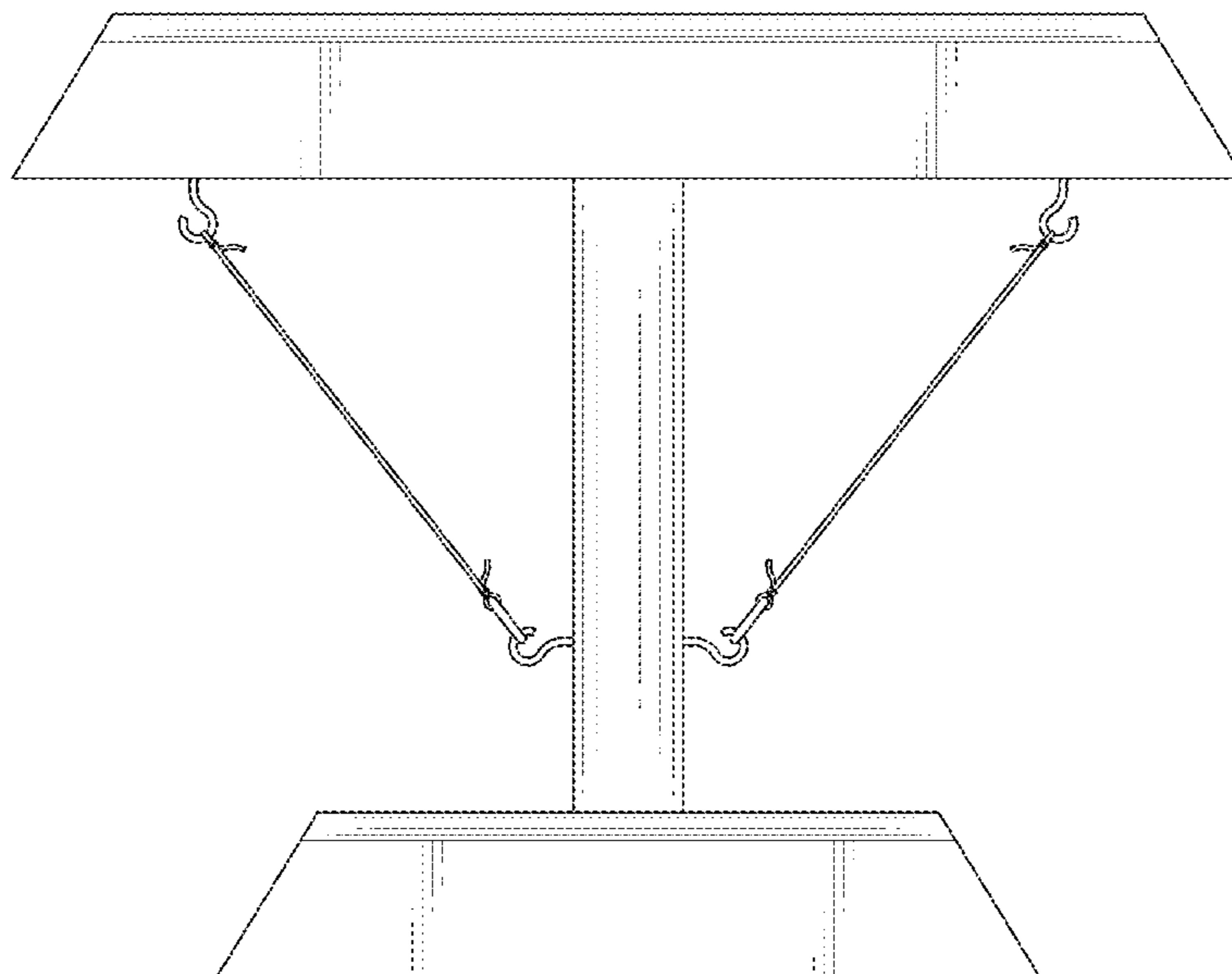
FIG. 1 is a front elevational view of a ring toy showing my new design;

FIG. 2 is a right side elevational view of the ring toy thereof, the left side being identical;

FIG. 3 is a top plan view of the ring toy; and,

FIG. 4 is a top front left perspective view of the ring toy.

1 Claim, 4 Drawing Sheets



(56)

References Cited

OTHER PUBLICATIONS

“Bestdon Toss Games for Adults Handmade” posted Apr. 19, 2021 [Online],[Retrieved Apr. 18, 2022], retrieved from Internet: <https://amzn.to/3C7Yxh8>.*

Dippy Hook and Ring Toss Game posted May 20, 2021 [Online],[Retrieved Apr. 18, 2022], retrieved from Internet: <https://amzn.to/36s8hsN>.*

“Iringtoss”, posted Dec. 9, 2021 Online], [retrieved May 13, 2022. Retrieved from Internet, https://web.archive.org/web/*/https://iringtoss.com/.*

* cited by examiner

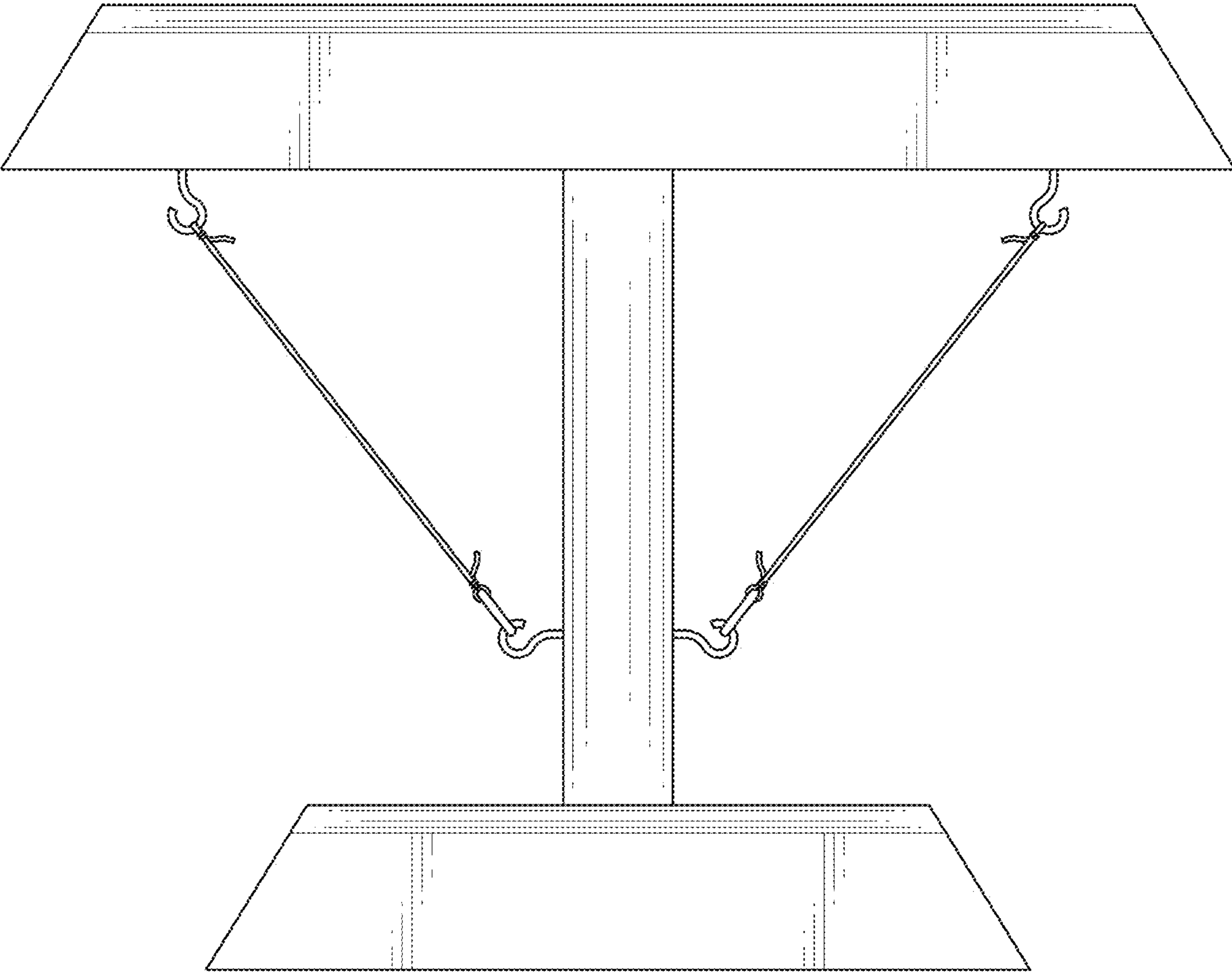


FIG. 1

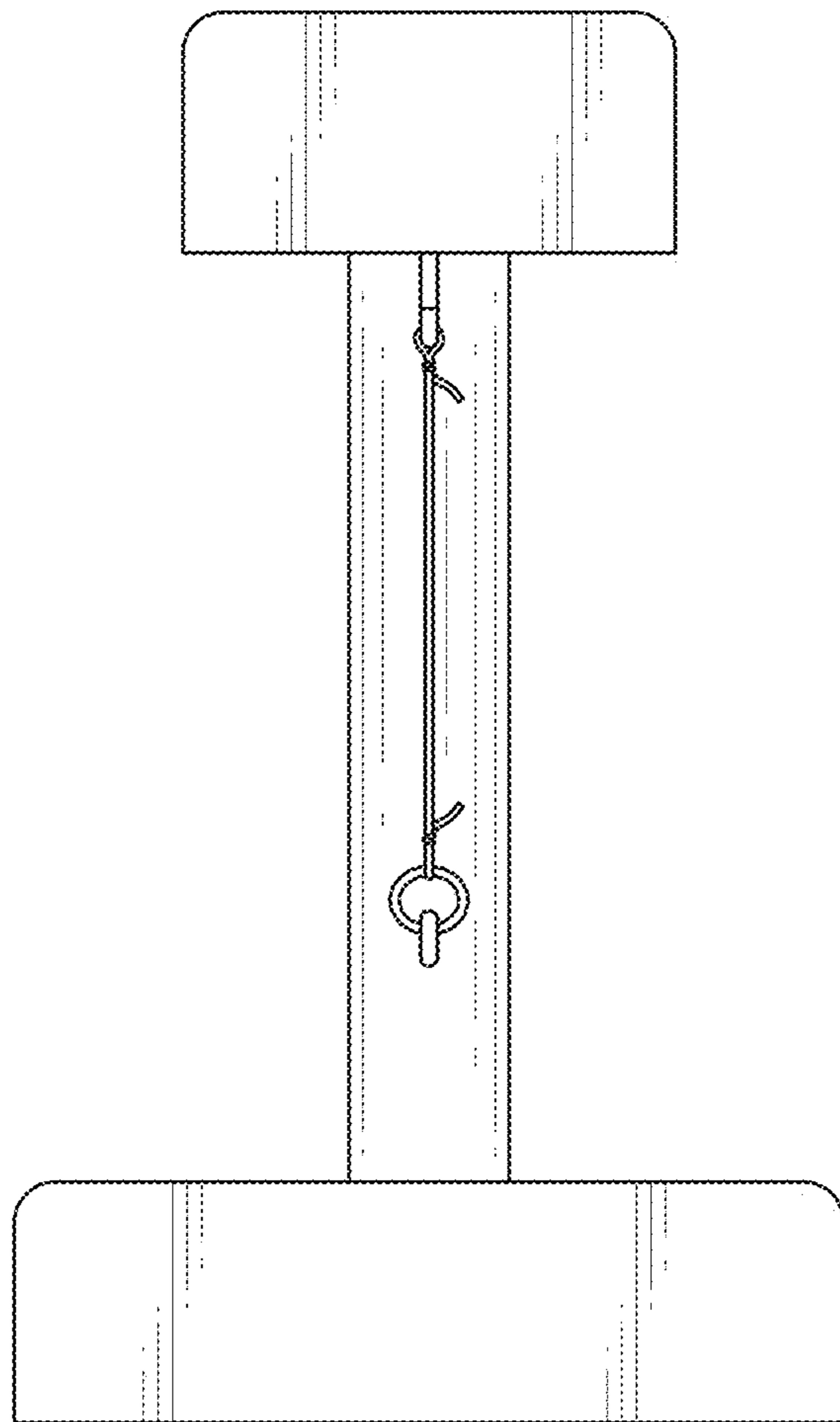


FIG. 2

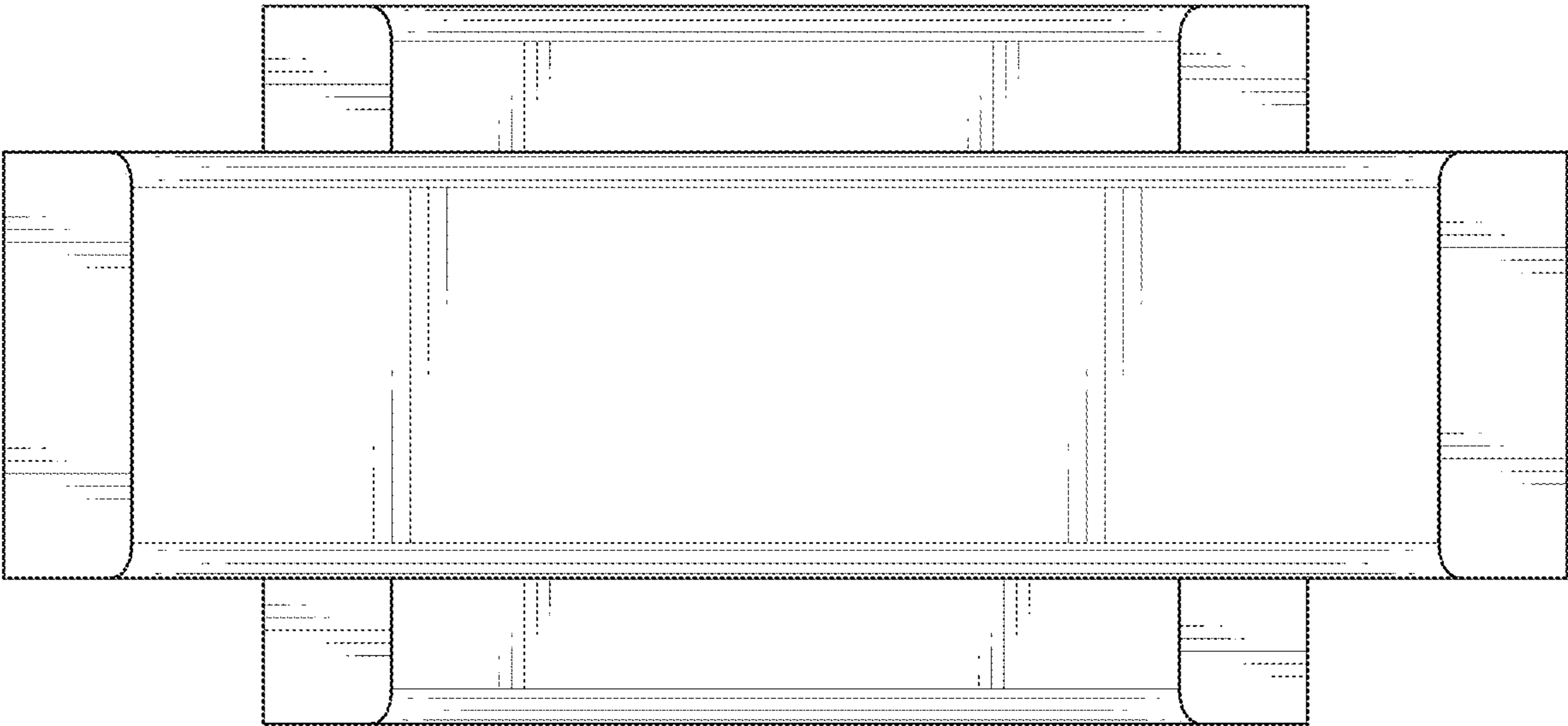


FIG. 3

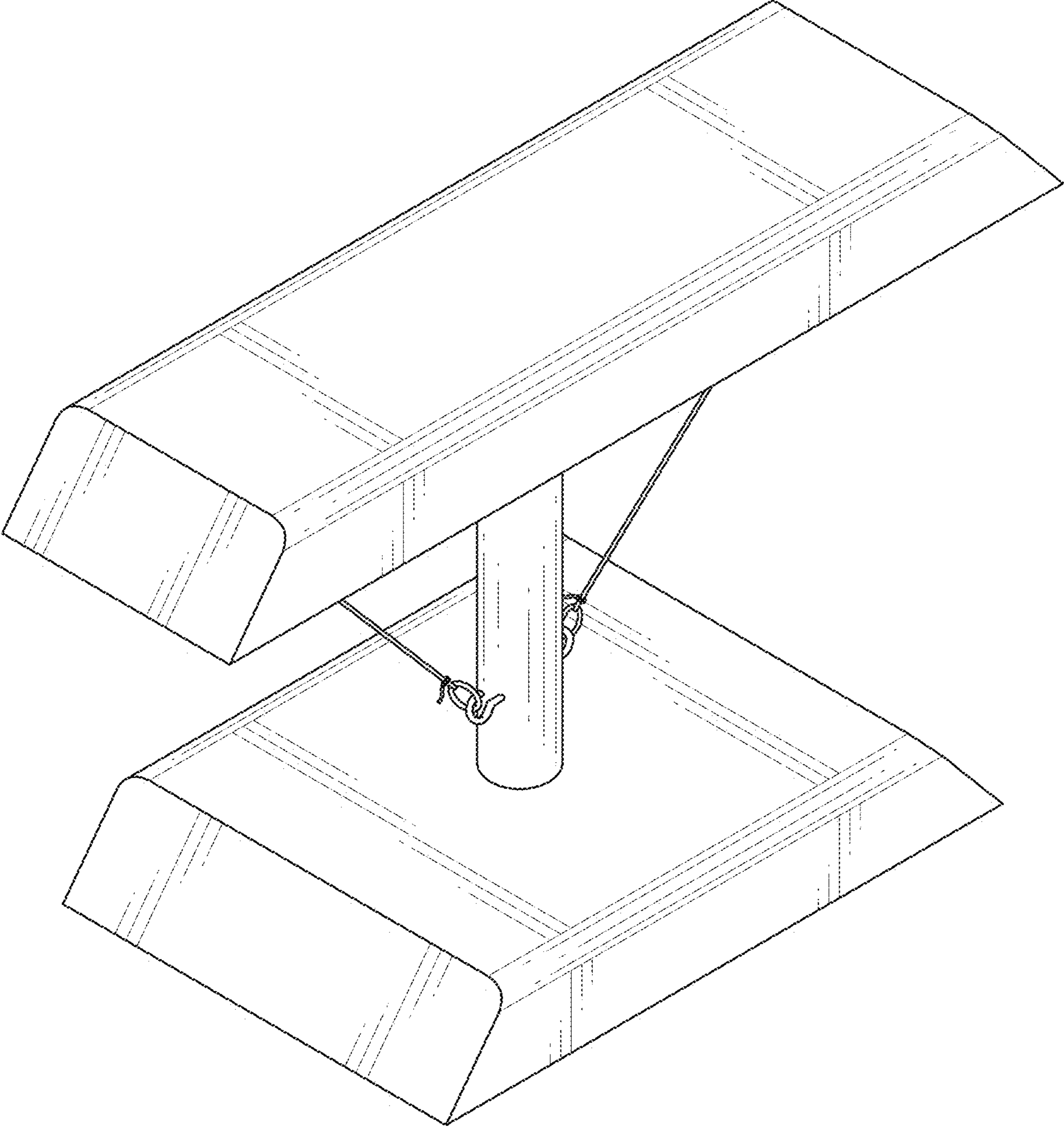


FIG. 4