



US00D957523S

(12) **United States Design Patent** (10) **Patent No.:** **US D957,523 S**
Lin (45) **Date of Patent:** **** Jul. 12, 2022**

(54) **TOY TARGET**

(71) Applicant: **Yong Lin**, Shantou (CN)

(72) Inventor: **Yong Lin**, Shantou (CN)

(**) Term: **15 Years**

(21) Appl. No.: **29/779,506**

(22) Filed: **Apr. 20, 2021**

(51) **LOC (13) Cl.** **21-01**

(52) **U.S. Cl.**

USPC **D21/302**; D21/307

(58) **Field of Classification Search**

USPC D21/300, 201, 302, 307, 308, 334, 363,
D21/365, 370, 385-389, 392, 397;
D10/46.1; 273/348, 371, 374, 408

CPC . A63B 71/06; A63B 71/0608; A63B 71/0605;
A63F 9/24; F41J 3/00; F41J 3/0009; F41J
3/0014; F41J 5/14; F41J 5/04; F41J 5/052

See application file for complete search history.

(56) **References Cited**

U.S. PATENT DOCUMENTS

D365,601 S *	12/1995	Wu	D10/46.1
5,560,617 A *	10/1996	Liang	F41J 5/14
				273/371
D378,103 S *	2/1997	Yiu	D21/307
D382,600 S *	8/1997	Wu	D21/307
D386,538 S *	11/1997	Chu	D21/307
D386,795 S *	11/1997	Yiu	D21/307
D389,527 S *	1/1998	Chen	D21/307
D390,277 S *	2/1998	Yiu	D21/307
D390,278 S *	2/1998	Yiu	D21/307
D393,491 S *	4/1998	Yiu	D21/307
5,735,527 A *	4/1998	Yiu	F41J 3/00
				273/376
D400,932 S *	11/1998	Yiu	D21/307
5,829,755 A *	11/1998	Chen	F41J 3/02
				273/408
D403,361 S *	12/1998	Huang	D21/307

D411,256 S *	6/1999	Chen	D21/307
D481,077 S *	10/2003	Sirotic	D21/302
D485,865 S *	1/2004	Butler	D21/307
D497,956 S *	11/2004	Breslow	D21/303
D563,478 S *	3/2008	Hanes, III	D21/308
D618,733 S *	6/2010	Kessler	D21/302
D720,016 S	12/2014	McDowell		
D739,468 S *	9/2015	Champ	D21/302
D774,142 S	12/2016	Wu		
D856,462 S	8/2019	Wilson		
D875,833 S *	2/2020	Fairchild	D21/302
D890,261 S *	7/2020	Chen	D21/307

(Continued)

OTHER PUBLICATIONS

“Dart Game”, posted May 12, 2004[online], [retrieved Dec. 8, 2021]. Retrieved from Internet, <https://amzn.to/3y6cf3T>.*

Primary Examiner — Sandra Snapp

Assistant Examiner — Mehri Bajjoul

(74) *Attorney, Agent, or Firm* — True Shepherd LLC;
Andrew C. Cheng

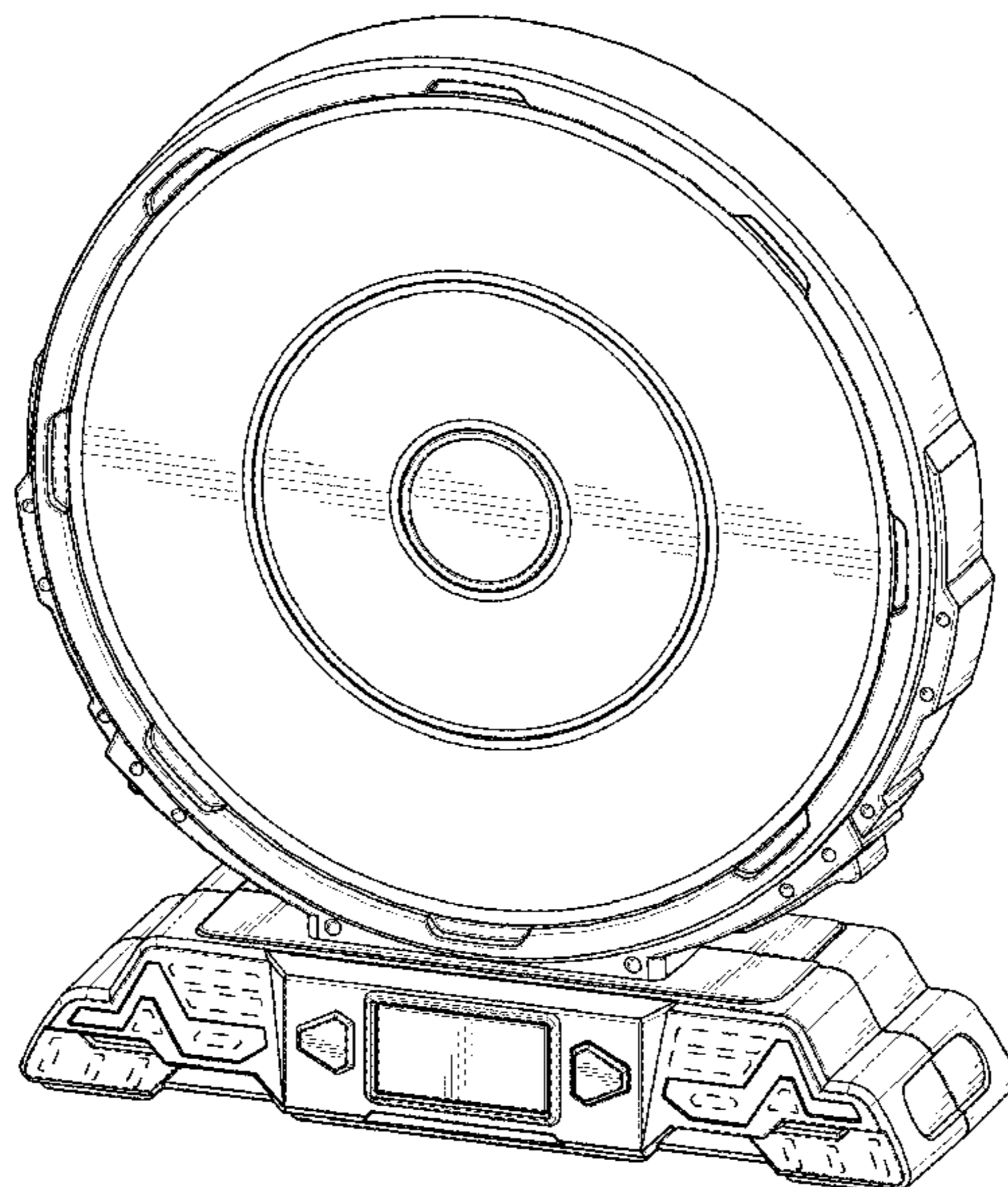
(57) **CLAIM**

The ornamental design for toy target, as shown and described.

DESCRIPTION

FIG. 1 is a perspective view of a toy target showing my new design;
FIG. 2 is another perspective view thereof;
FIG. 3 is a front view thereof;
FIG. 4 is a rear view thereof;
FIG. 5 is a left side view thereof;
FIG. 6 is a right side view thereof;
FIG. 7 is a top plan view thereof; and,
FIG. 8 is a bottom plan view thereof.
The broken lines depict portions of the toy target and form no part of the claimed design.

1 Claim, 8 Drawing Sheets



(56)

References Cited

U.S. PATENT DOCUMENTS

D900,224	S	*	10/2020	Chen	D21/307
D923,096	S	*	6/2021	Nash	D21/302
2002/0070501	A1	*	6/2002	Shao	F41J 5/04
						273/371
2002/0158414	A1	*	10/2002	Yiu	F41J 3/00
						273/408
2004/0140620	A1	*	7/2004	Giegerich	F41J 5/14
						273/348
2009/0134581	A1	*	5/2009	Box	F41J 3/0004
						273/403
2009/0218769	A1	*	9/2009	Krzewicki	A63F 9/24
						273/374
2010/0259009	A1	*	10/2010	Huang	F41J 5/052
						273/374

* cited by examiner

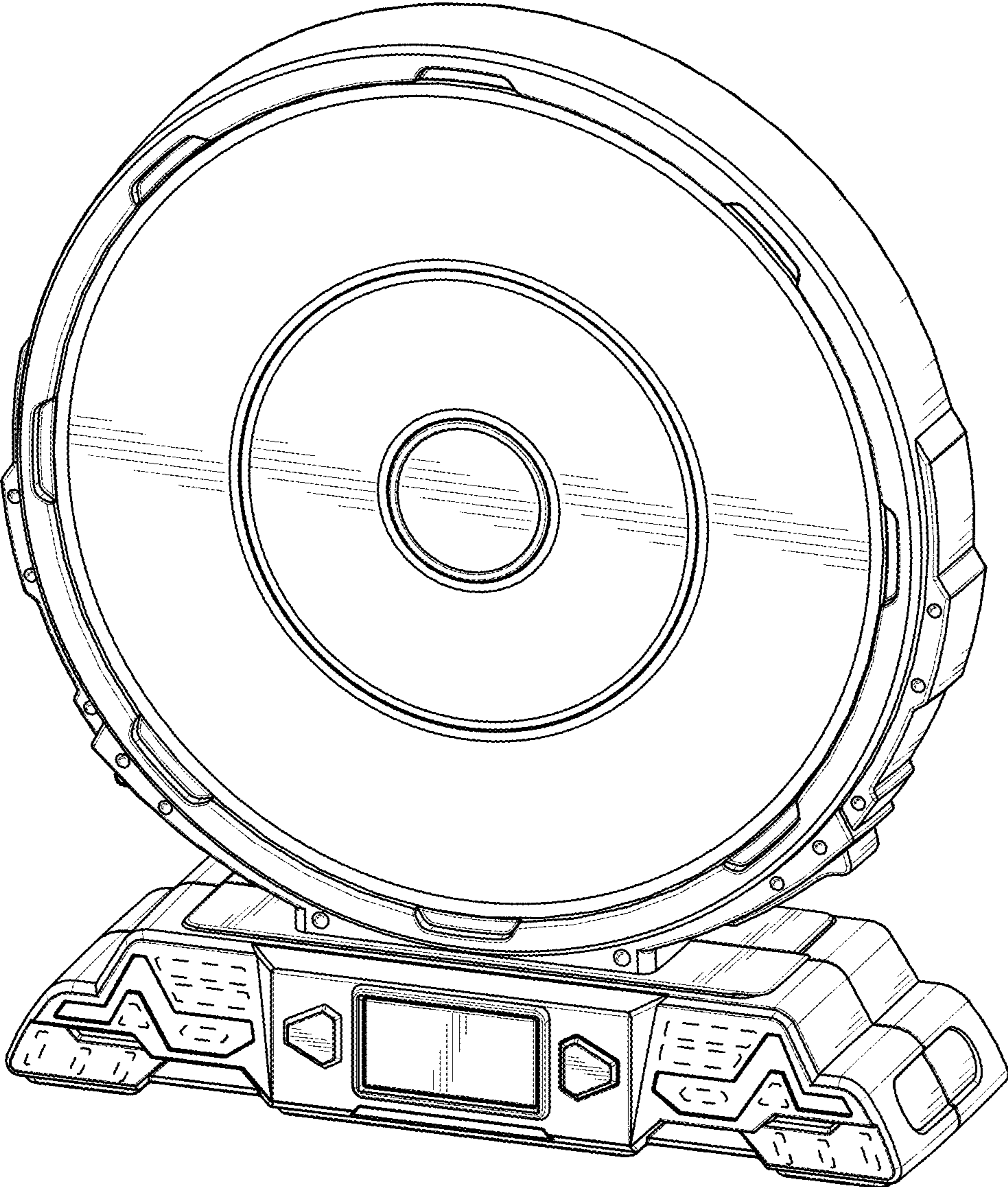


FIG. 1

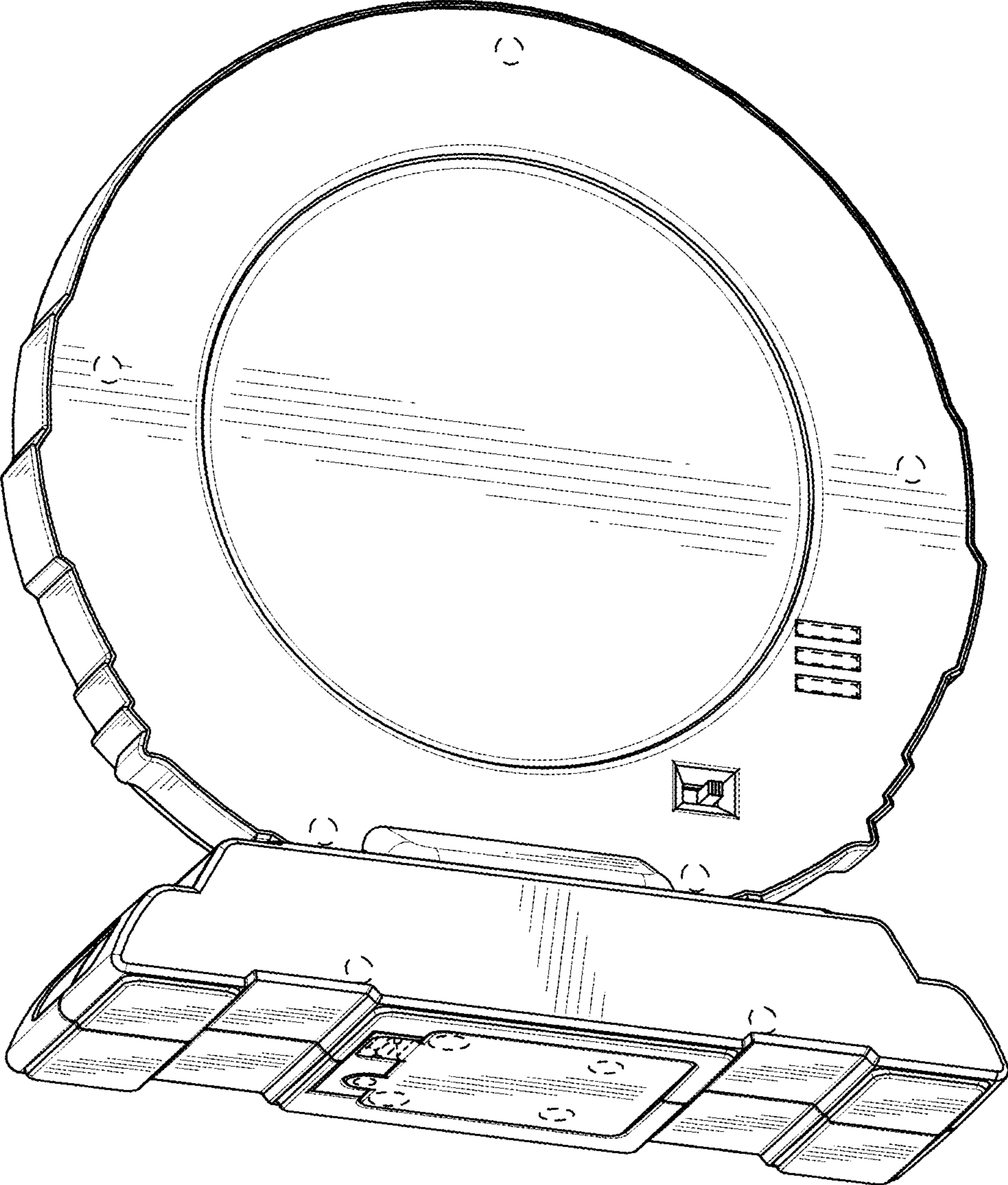


FIG. 2

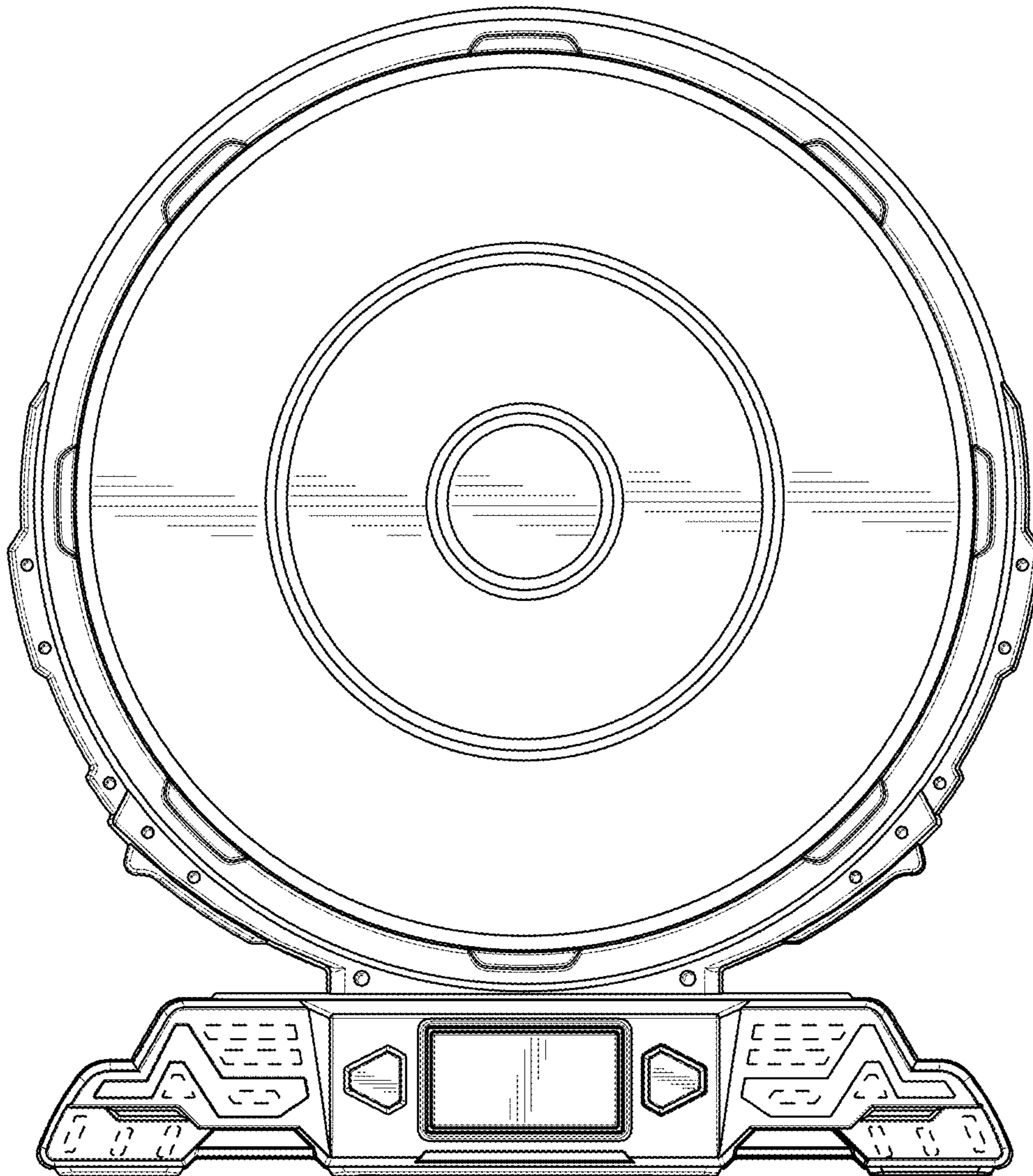


FIG. 3

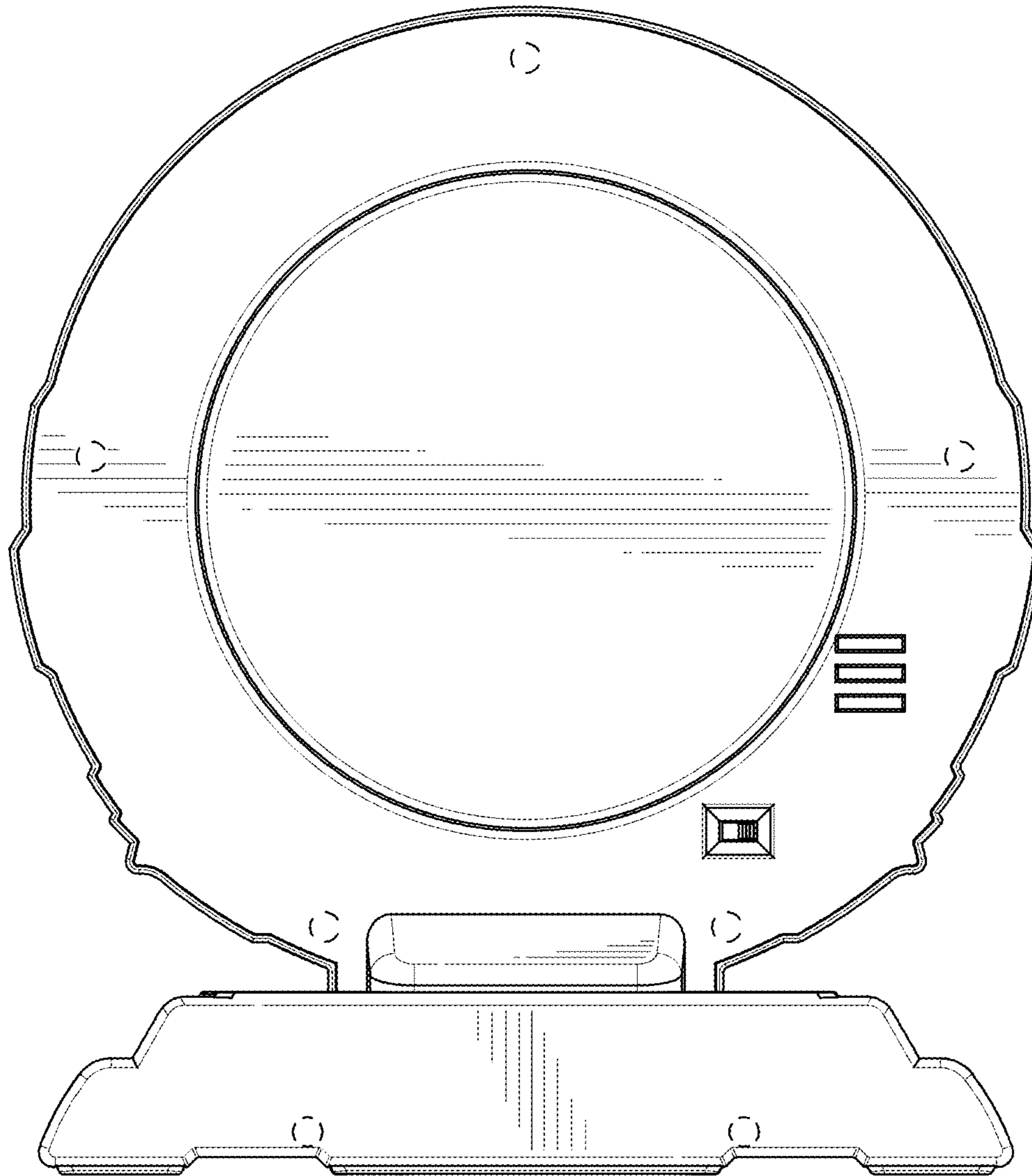


FIG. 4

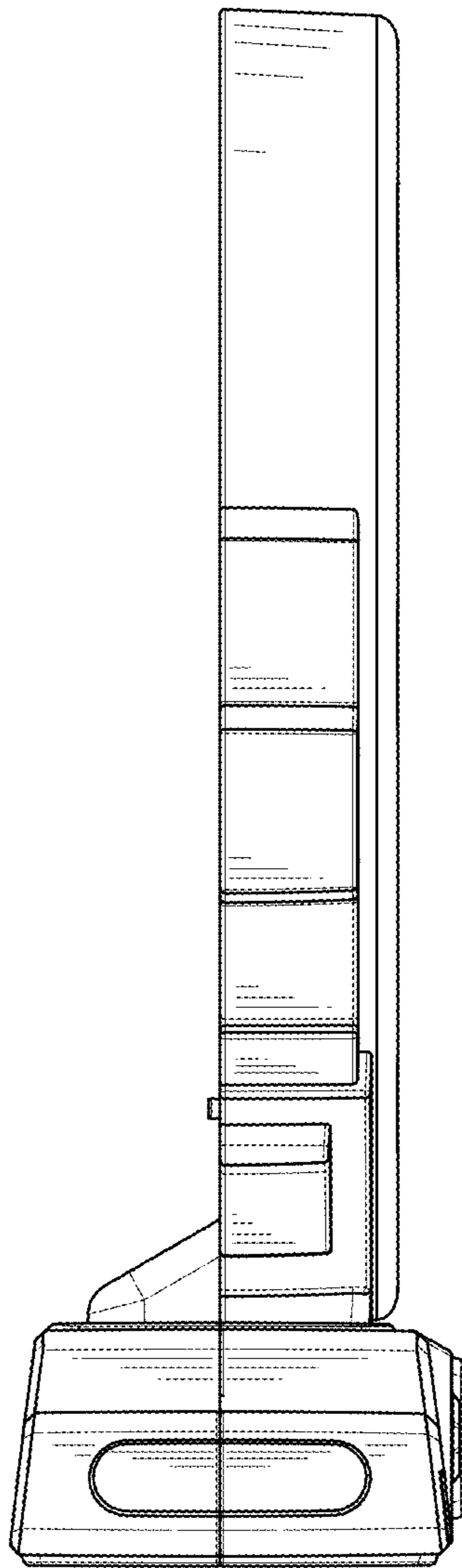


FIG. 5

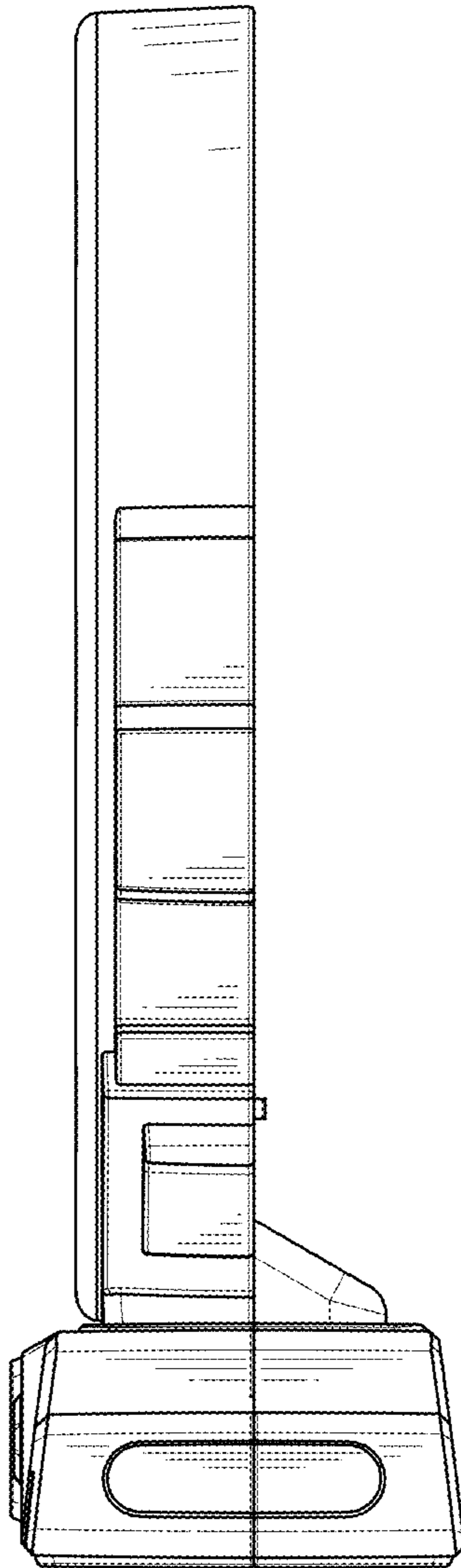


FIG. 6

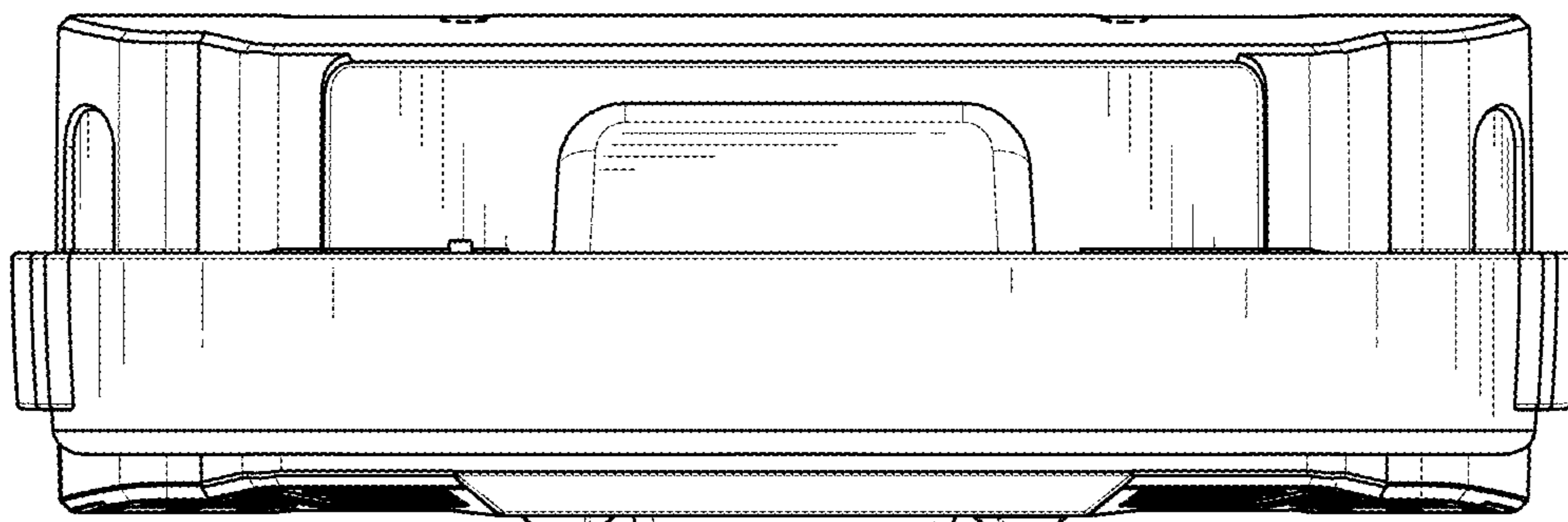


FIG. 7

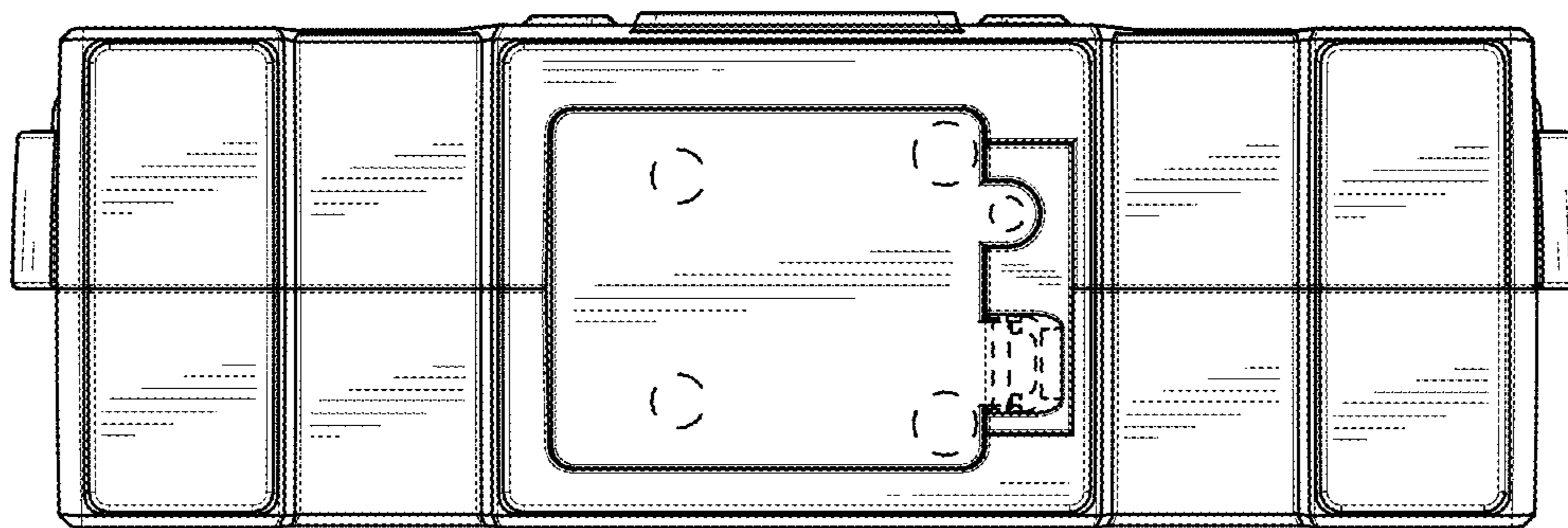


FIG. 8