



US00D957522S

(12) **United States Design Patent**  
**Mullet, Jr.**

(10) **Patent No.:** **US D957,522 S**  
(45) **Date of Patent:** **\*\* Jul. 12, 2022**

(54) **SLINGSHOT GAME APPARATUS**  
(71) Applicant: **Billy B. Mullet, Jr.**, Garrettsville, OH (US)  
(72) Inventor: **Billy B. Mullet, Jr.**, Garrettsville, OH (US)  
(\*\*) Term: **15 Years**  
(21) Appl. No.: **29/712,670**  
(22) Filed: **Nov. 11, 2019**  
(51) **LOC (13) Cl.** ..... **21-01**  
(52) **U.S. Cl.**  
USPC ..... **D21/300**  
(58) **Field of Classification Search**  
USPC ..... D21/300, 301, 302, 303, 304, 308, 310, D21/362, 570, 698, 699, 702, 708, 709, D21/710, 715, 790, 791  
CPC .. F41B 3/02; F41J 1/00; A01K 15/025; A63H 33/18  
See application file for complete search history.

D392,013 S 3/1998 Scarlett  
5,788,242 A 8/1998 Rudell et al.  
5,851,012 A 12/1998 Langieri, Jr. et al.  
D438,910 S 3/2001 Culberson  
6,851,675 B1 2/2005 Jakubec et al.  
D509,275 S \* 9/2005 Lau ..... D21/791  
D519,181 S \* 4/2006 Jones ..... D21/791  
7,584,961 B1 \* 9/2009 Best ..... A63F 9/0826  
273/145 A  
D616,620 S \* 5/2010 Carroll ..... D32/53  
D616,728 S \* 6/2010 Bucci ..... D8/354  
D633,948 S \* 3/2011 Roach ..... D21/303  
D642,447 S \* 8/2011 Bucci ..... D8/354  
D691,660 S \* 10/2013 Shea ..... D21/303  
D692,500 S \* 10/2013 Max ..... D21/303  
8,757,453 B1 \* 6/2014 Olsson ..... B65D 25/48  
222/570  
8,789,836 B2 \* 7/2014 Umbro ..... B62B 1/042  
280/47.26  
D729,319 S 5/2015 Meissner  
(Continued)

Primary Examiner — Mehri F Bajoul  
(74) Attorney, Agent, or Firm — Hilary J. Sumner

(57) **CLAIM**

I claim the ornamental design for a slingshot game apparatus, as shown and described.

**DESCRIPTION**

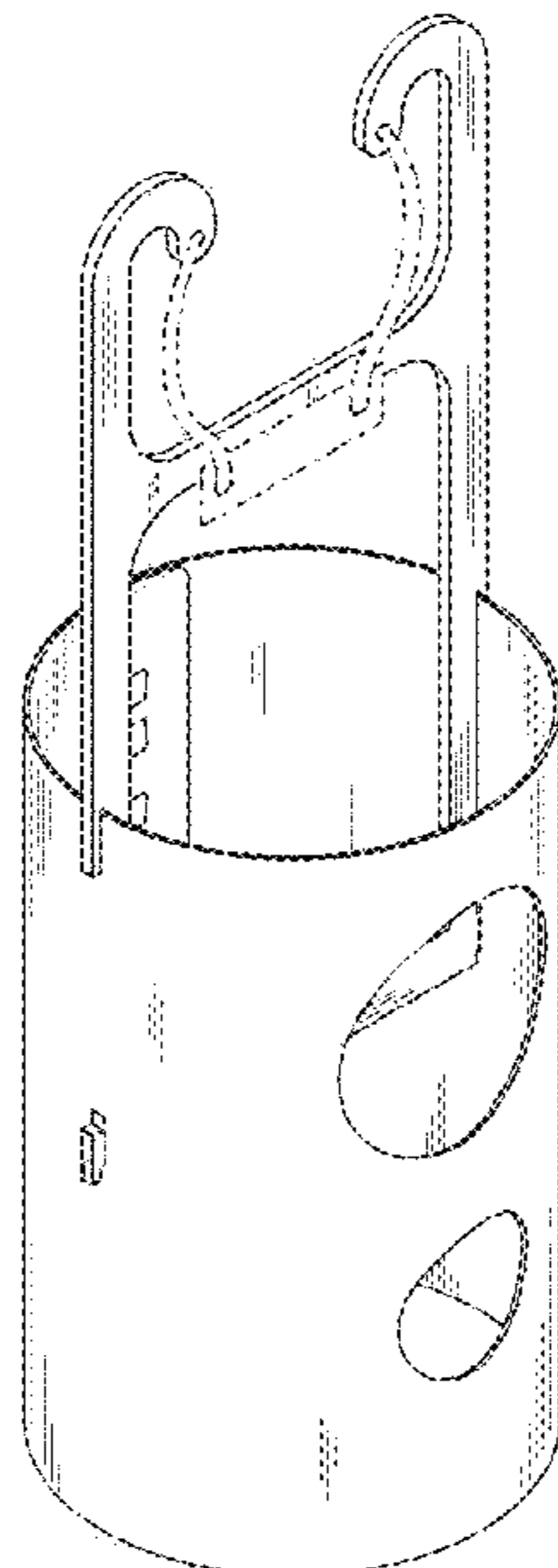
FIG. 1 is a perspective view of the slingshot game apparatus; FIG. 2 is a right side elevational view thereof; FIG. 3 is a left side elevational view thereof; FIG. 4 is a rear elevational view thereof; FIG. 5 is a top plan view thereof; FIG. 6 is a bottom plan view thereof; and, FIG. 7 is a front elevational view thereof. The broken lines in the drawings depict portions of the slingshot game apparatus that form no part of the claimed design.

**1 Claim, 7 Drawing Sheets**

(56) **References Cited**

U.S. PATENT DOCUMENTS

1,960,645 A \* 5/1934 Parrish ..... F41B 3/02  
124/20.2  
3,794,325 A 2/1974 Stender  
3,802,409 A 4/1974 Mike et al.  
D270,920 S \* 10/1983 Branom ..... D21/303  
4,560,164 A \* 12/1985 Darling ..... A63F 9/0098  
273/155  
4,909,518 A 3/1990 Erlandson et al.  
4,943,065 A 7/1990 DeLapa  
D321,392 S \* 11/1991 Chen ..... D21/702  
5,074,560 A \* 12/1991 Silverman ..... A63F 3/0423  
273/146  
5,249,564 A 10/1993 Peachey  
D372,002 S \* 7/1996 Busby ..... D12/111  
D391,333 S \* 2/1998 Russell ..... D21/791



(56)

**References Cited**

U.S. PATENT DOCUMENTS

D736,320	S *	8/2015	Shadle .....	D21/302
D741,409	S *	10/2015	Moulton .....	D21/303
D815,234	S *	4/2018	Bunnag .....	D22/108
D817,407	S *	5/2018	Melo .....	D21/302
D845,394	S *	4/2019	Max .....	D21/302
10,301,109	B2 *	5/2019	Dervin .....	A47L 13/52
D873,918	S *	1/2020	Allen .....	D21/302
D874,572	S *	2/2020	Radecki .....	D21/303
D888,829	S *	6/2020	Jimenez .....	D21/303
D898,122	S *	10/2020	Rivard .....	D21/303
D900,230	S *	10/2020	Stikeleather .....	D21/385
D910,115	S *	2/2021	Esposito .....	D21/303
D923,095	S *	6/2021	Drane .....	D21/301
D933,746	S *	10/2021	Kinner .....	D21/302
2004/0149761	A1 *	8/2004	Smith .....	B65F 1/14 220/630
2012/0038109	A1	2/2012	Battiste	
2015/0108719	A1	4/2015	Devine	
2017/0064927	A1 *	3/2017	Ren .....	F41B 3/02
2021/0140735	A1 *	5/2021	Mullet, Jr. ....	F41J 1/00

\* cited by examiner

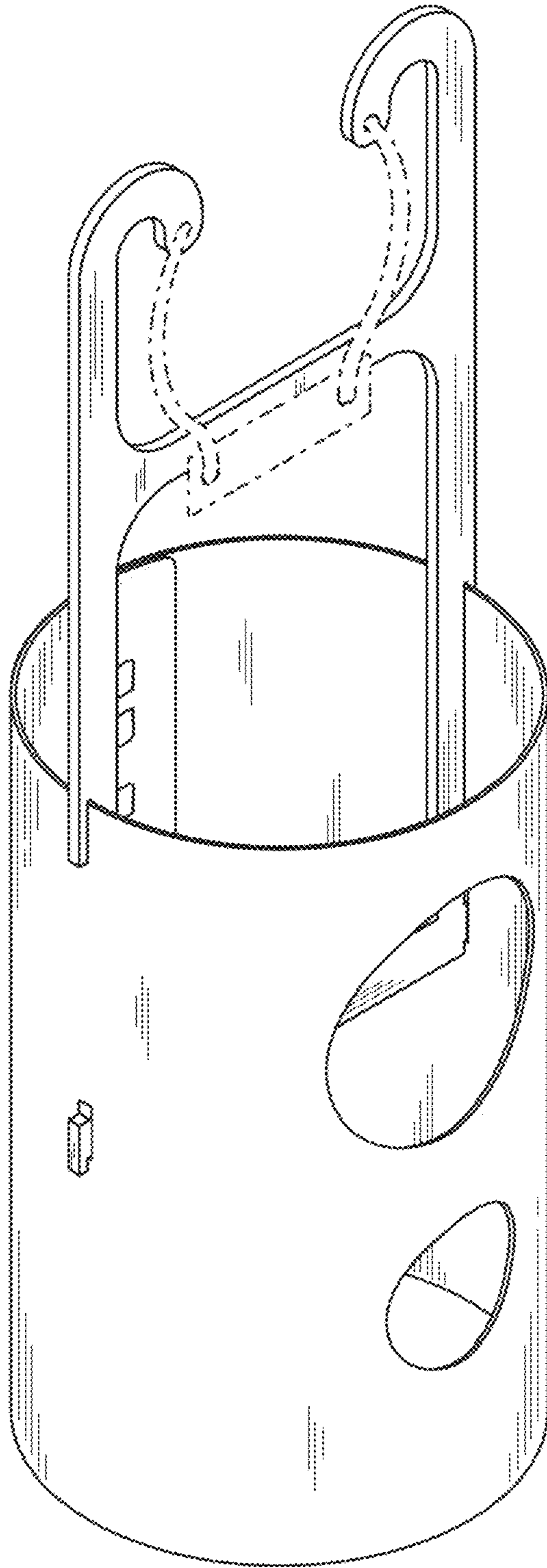


FIG. 1

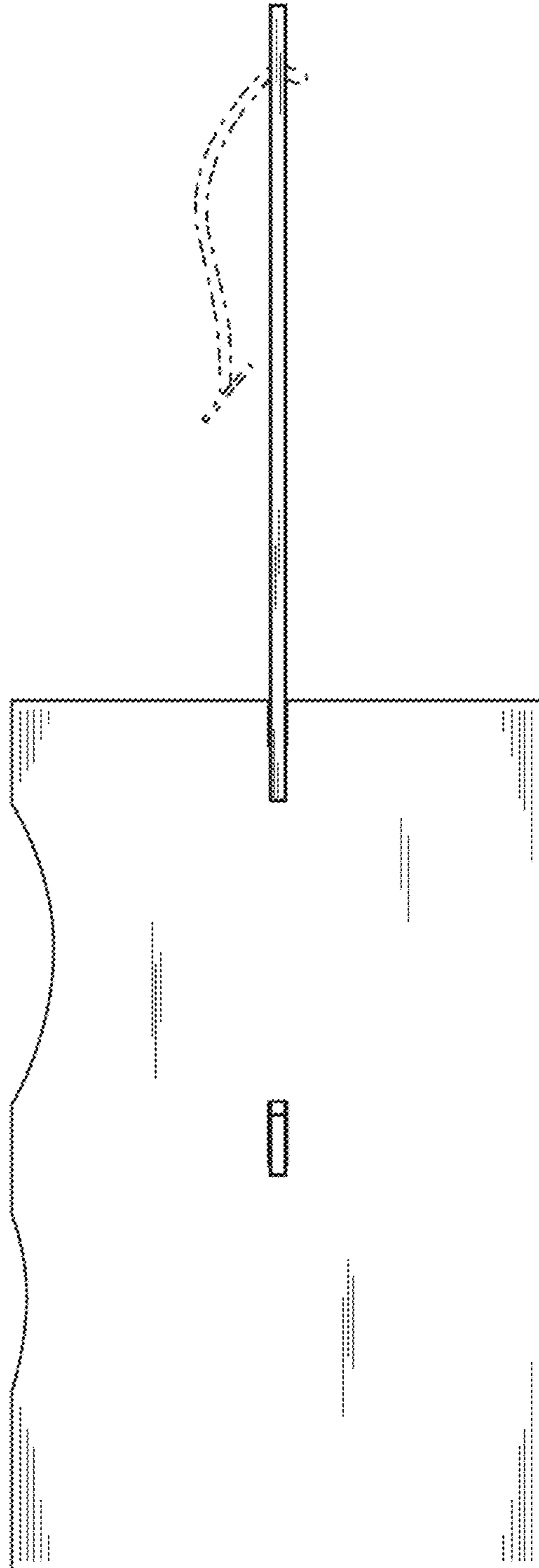


FIG. 2

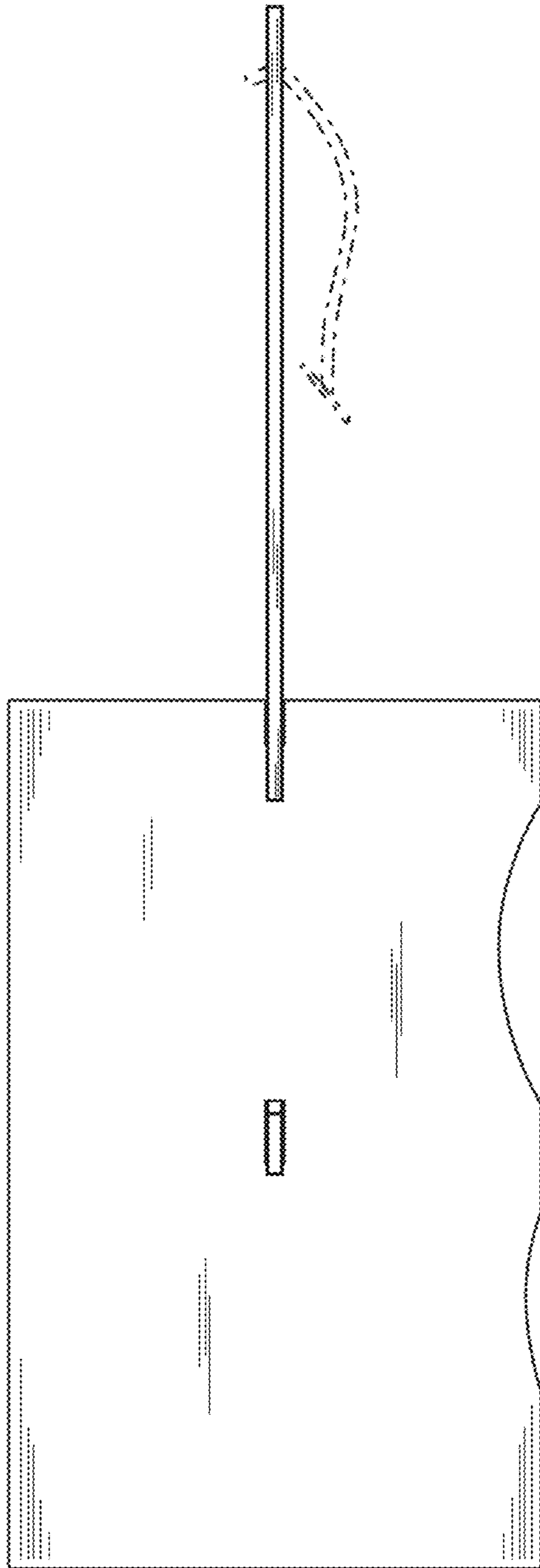


FIG. 3



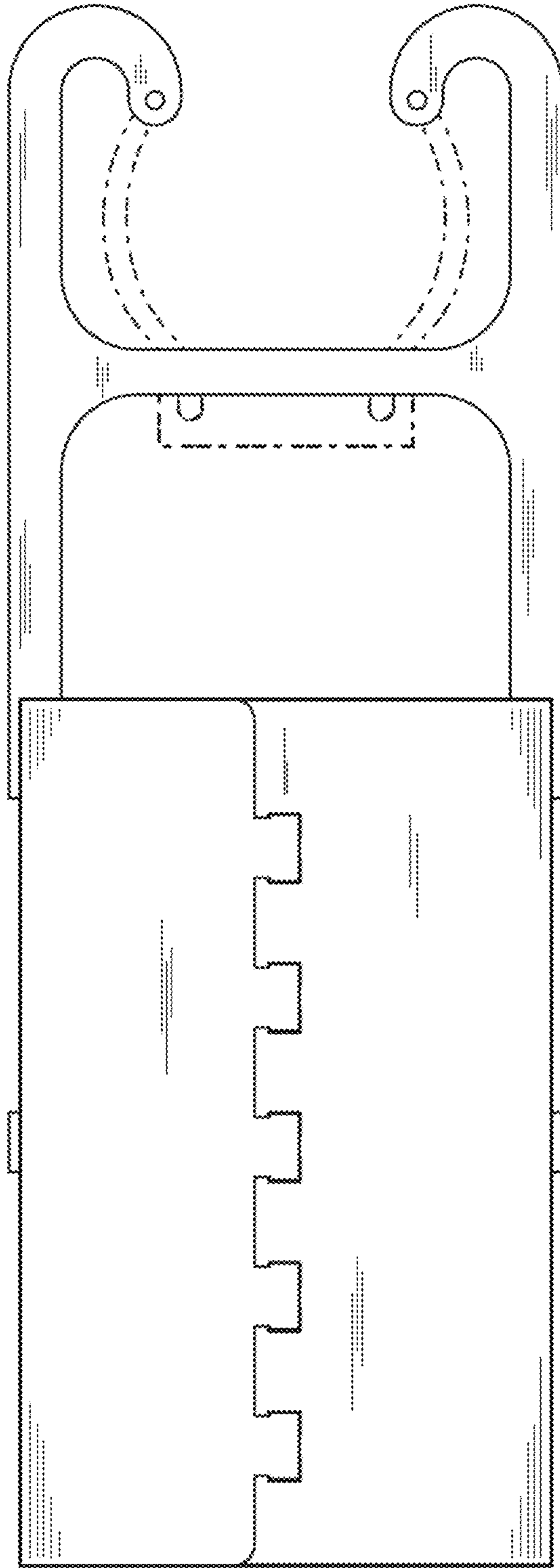


FIG. 4

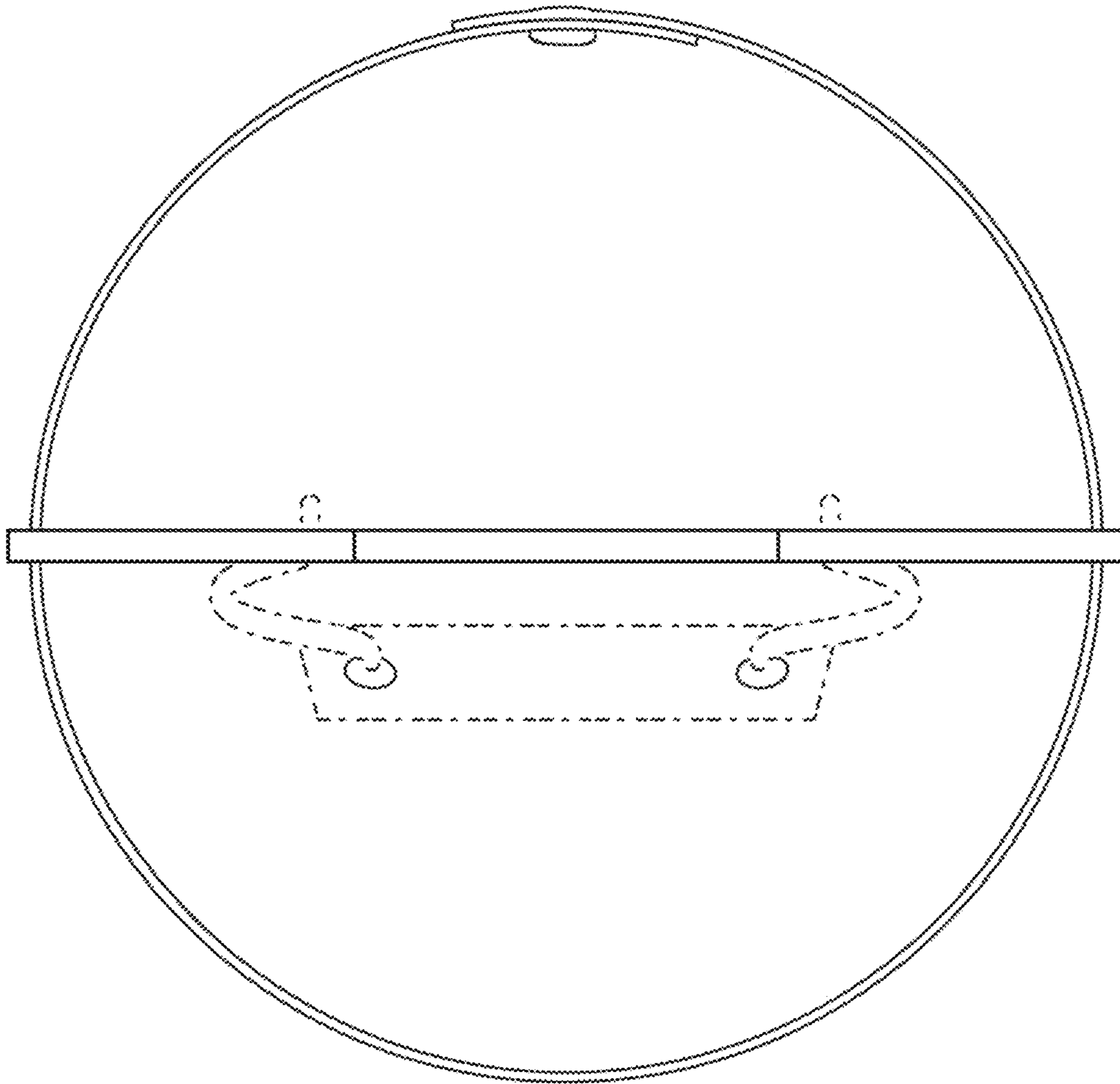


FIG. 5

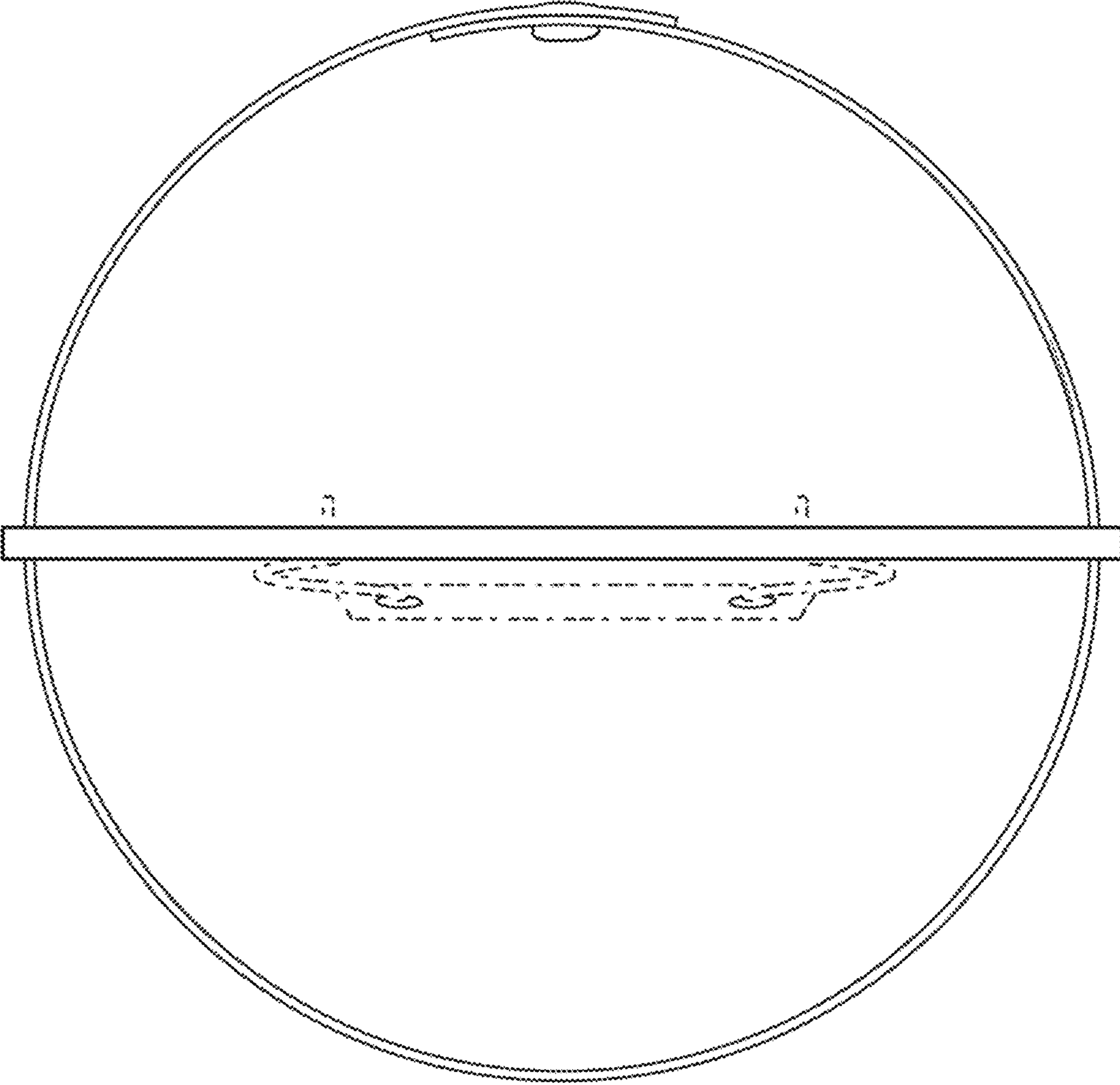


FIG. 6



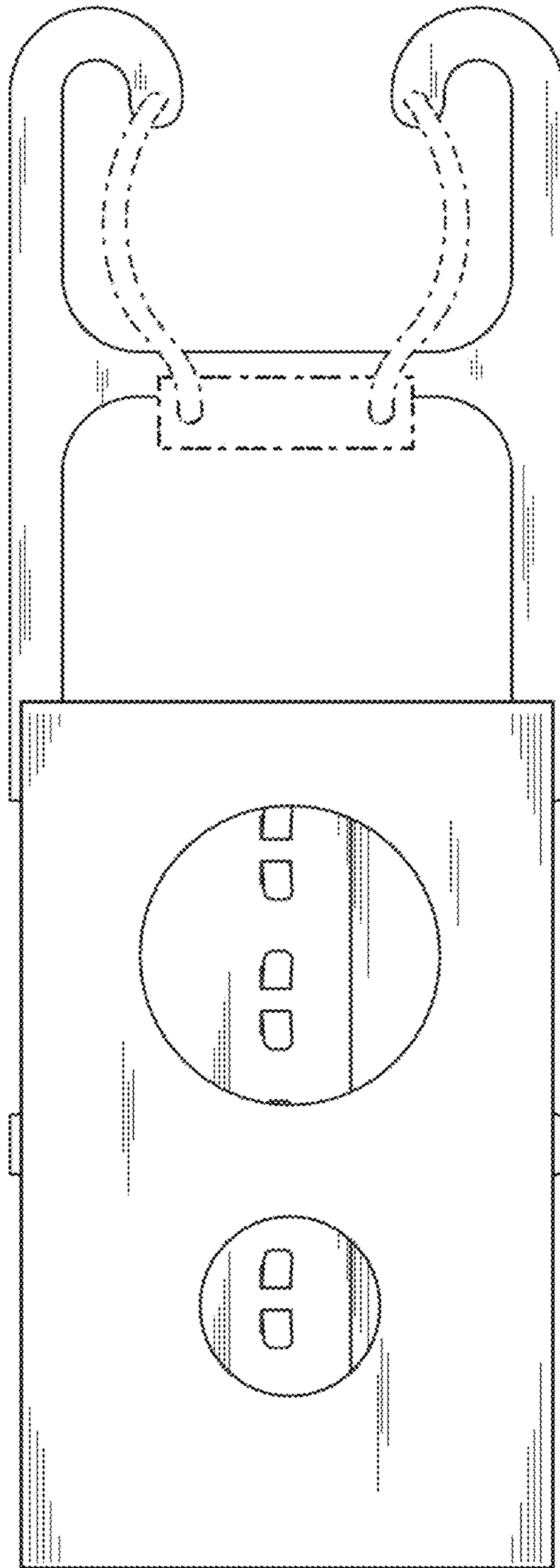


FIG. 7