



US00D957517S

(12) **United States Design Patent** (10) **Patent No.:** **US D957,517 S**  
**Li** (45) **Date of Patent:** **\*\* Jul. 12, 2022**

(54) **ENGRAVING MACHINE**  
(71) Applicant: **Guoping Li**, Guangzhou (CN)  
(72) Inventor: **Guoping Li**, Guangzhou (CN)  
(\*\*) Term: **15 Years**  
(21) Appl. No.: **29/743,156**  
(22) Filed: **Jul. 20, 2020**  
(51) **LOC (13) Cl.** ..... **18-02**  
(52) **U.S. Cl.**  
USPC ..... **D18/57**  
(58) **Field of Classification Search**  
USPC ... D18/4.1, 4.4, 4.6, 34.1, 6, 7, 14, 19, 34.3,  
D18/34.7, 34.8, 34.9, 36, 37, 38, 39, 46,  
D18/47, 48, 49, 50, 53, 54, 55, 56, 59;  
D14/300, 301, 302, 303, 307, 308, 314,  
D14/321, 365, 445, 446; D15/122, 135,  
D15/138, 145, 146  
CPC .... H04N 1/00278; B26D 1/045; B26D 1/065;  
B41J 15/044; B41J 2/1752; B41J 29/02;  
B41J 29/08; B41J 17/00; B41J 15/42;  
B41J 15/12; B41J 11/58; B41J 3/4075;  
B29C 47/12  
See application file for complete search history.

2013/0071199 A1\* 3/2013 Chuang ..... B23Q 3/102  
409/225  
2019/0022933 A1\* 1/2019 Ho ..... B33Y 30/00  
2021/0206074 A1\* 7/2021 Lee ..... B29C 64/25

**FOREIGN PATENT DOCUMENTS**

CN 305459723 \* 11/2019  
CN 305544763 \* 1/2020

**OTHER PUBLICATIONS**

Mini Engraver Milling Engraving Machine, p. 15, 2020—Amazon-  
[https://www.amazon.com/Control-Desktop-Milling-Engraver-Engraving/dp/B08CZDQZLN/ref=asc\\_df\\_B08CZDQZLN/?tag=hyprod20&linkCode=df0&hvadid=475715995816&hvpos=&hvnetw=g&hvrand=14748610186678293082&hvpone=&hvptwo=&hvqmt=&hvdev=c&hvdvcmdl=&hvloci](https://www.amazon.com/Control-Desktop-Milling-Engraver-Engraving/dp/B08CZDQZLN/ref=asc_df_B08CZDQZLN/?tag=hyprod20&linkCode=df0&hvadid=475715995816&hvpos=&hvnetw=g&hvrand=14748610186678293082&hvpone=&hvptwo=&hvqmt=&hvdev=c&hvdvcmdl=&hvloci) (Year: 2020).\*

(Continued)

*Primary Examiner* — Jennifer L Rempfer  
*Assistant Examiner* — Danielle Nichole Bowly  
(74) *Attorney, Agent, or Firm* — Rumit Ranjit Kanakia

(57) **CLAIM**

I claim the ornamental design for an engraving machine, as shown and described.

(56) **References Cited**

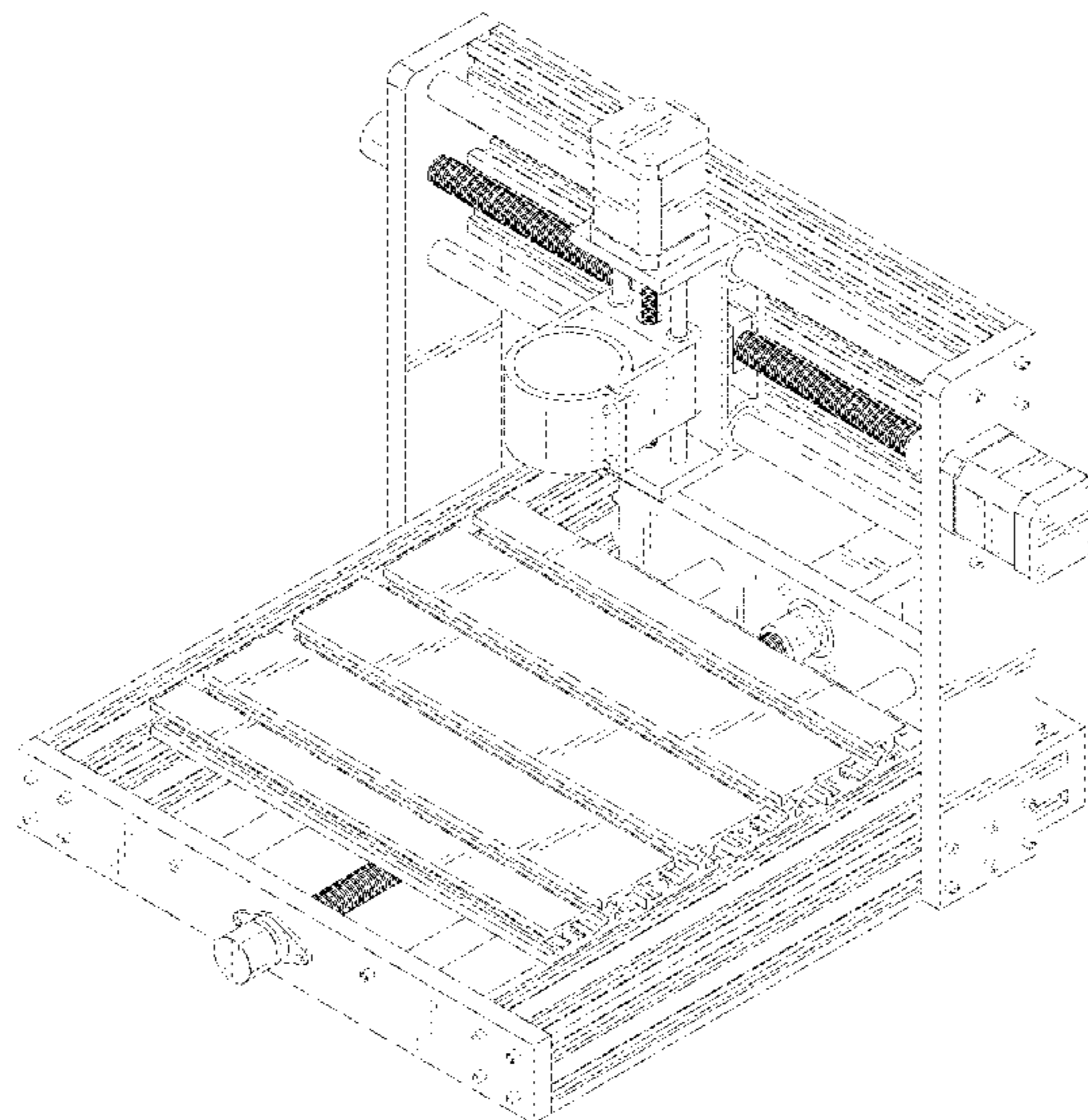
**U.S. PATENT DOCUMENTS**

D303,975 S \* 10/1989 Hedenberg ..... D15/199  
D619,649 S \* 7/2010 Chen ..... D18/57  
D765,745 S \* 9/2016 Cheung ..... D15/122  
D791,203 S \* 7/2017 Zhang ..... D15/122  
D841,066 S \* 2/2019 Kita ..... D15/199  
D861,749 S \* 10/2019 Besim ..... D15/122  
D896,288 S \* 9/2020 Jiang ..... D15/122  
D899,471 S \* 10/2020 Liu ..... D15/122  
D925,634 S \* 7/2021 Liu ..... D15/199  
D933,723 S \* 10/2021 Chen ..... D15/122  
11,167,408 B2 \* 11/2021 Thomas ..... B25J 9/0018  
2009/0196703 A1 \* 8/2009 Chen ..... B44B 1/006  
409/219

**DESCRIPTION**

FIG. 1 is a Perspective view of an engraving machine showing my new design;  
FIG. 2 is a Front view thereof;  
FIG. 3 is a Back view thereof;  
FIG. 4 is a Right-side view thereof;  
FIG. 5 is a Left-side view thereof;  
FIG. 6 is a Top view thereof; and,  
FIG. 7 is a Bottom view thereof.  
The broken lines are for the purpose of illustrating portions of the article that form no part of the claim.

**1 Claim, 7 Drawing Sheets**



(56)

**References Cited**

OTHER PUBLICATIONS

Engraving Machine, p. 1, 2019, YouTube-29743156-<https://www.youtube.com/watch?v=ru6Vq2pjDv8> (Year: 2019).\*

CNC 3018pro MAX GRBL control 300w CNC machine,3 Axis pcb Milling machine,DIY Wood Router support laser engraving, <https://www.aliexpress.com/item/4000130183248.html>; Aug. 29, 2019.

\* cited by examiner



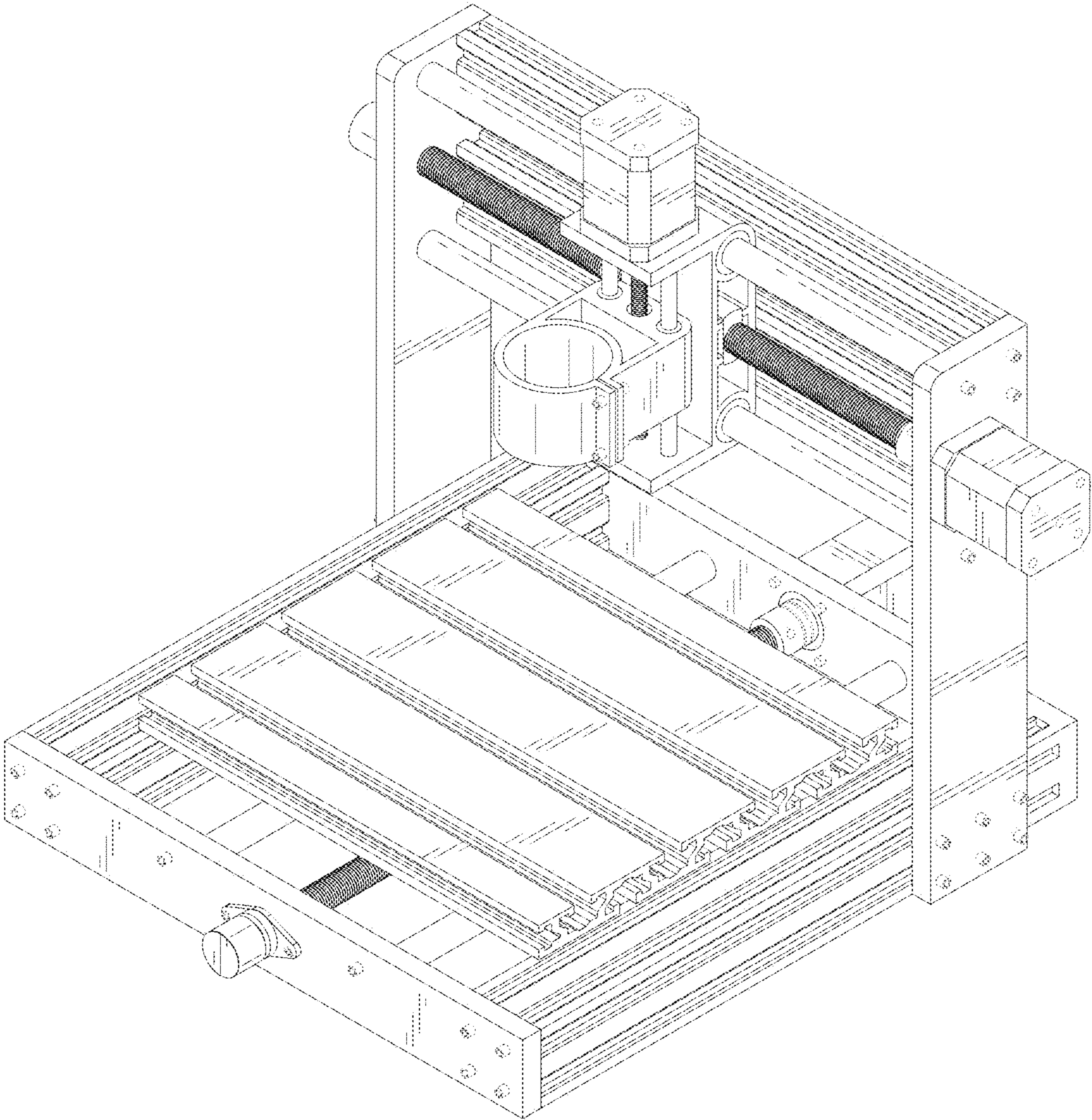


FIG. 1

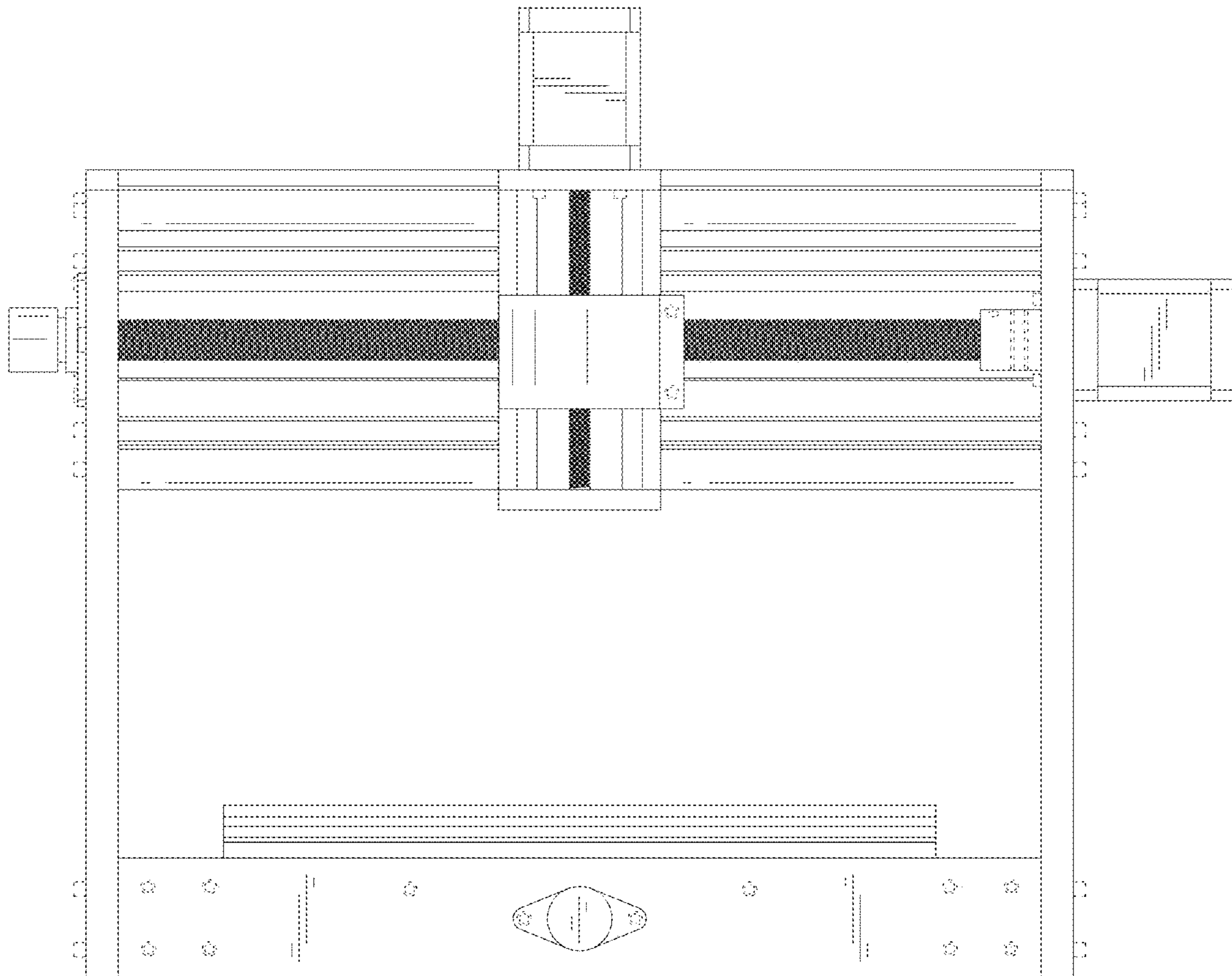


FIG. 2

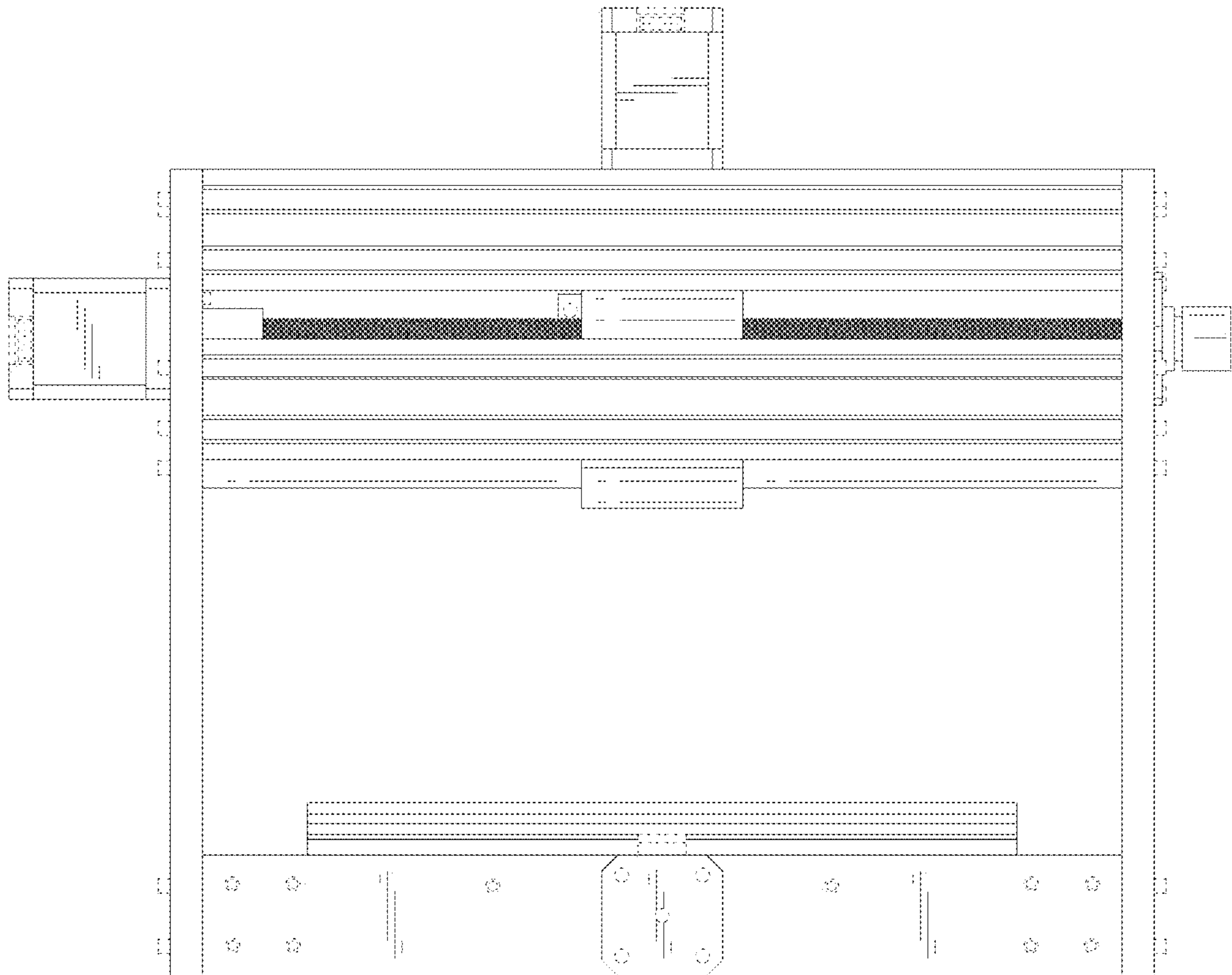


FIG. 3

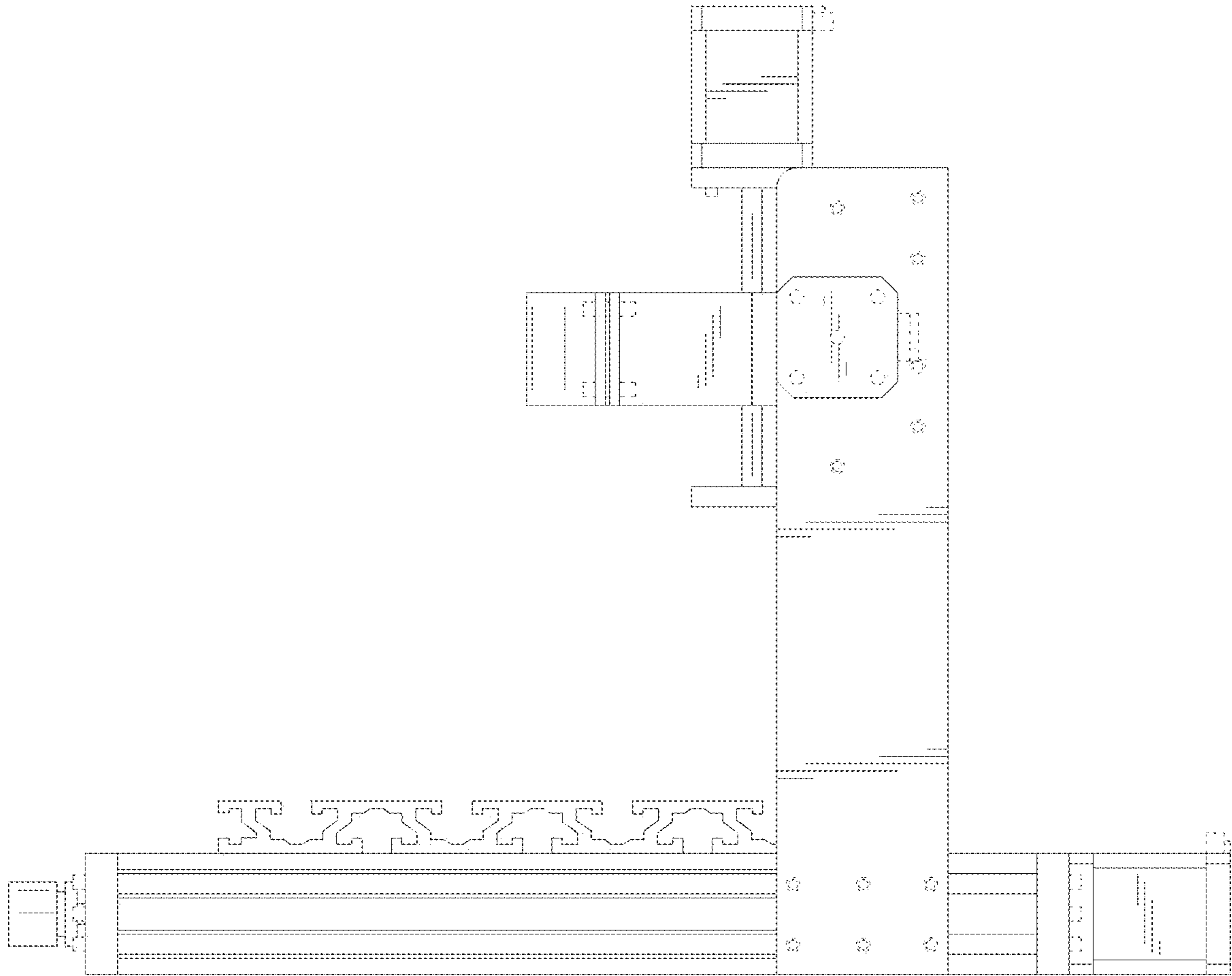


FIG. 4

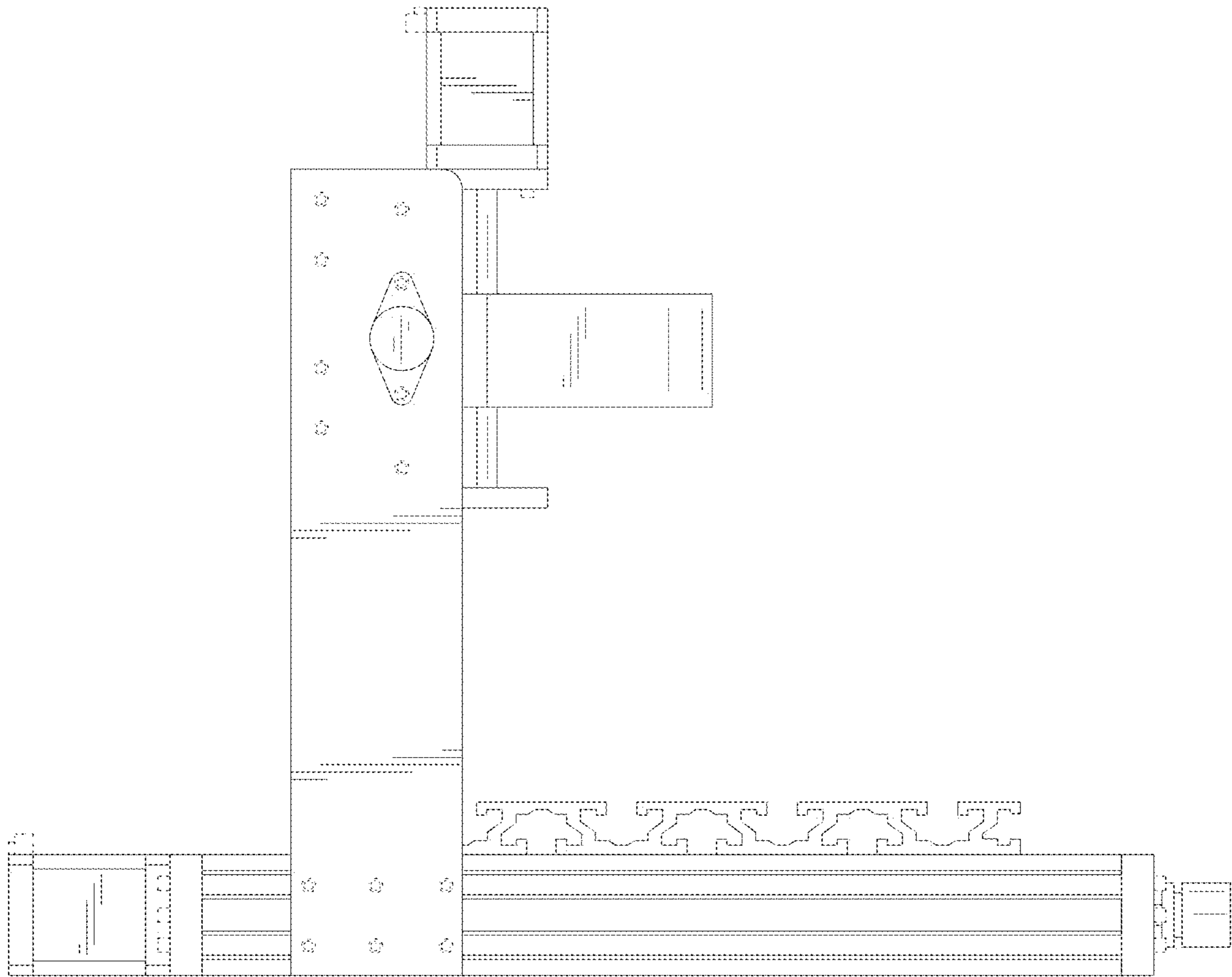


FIG. 5



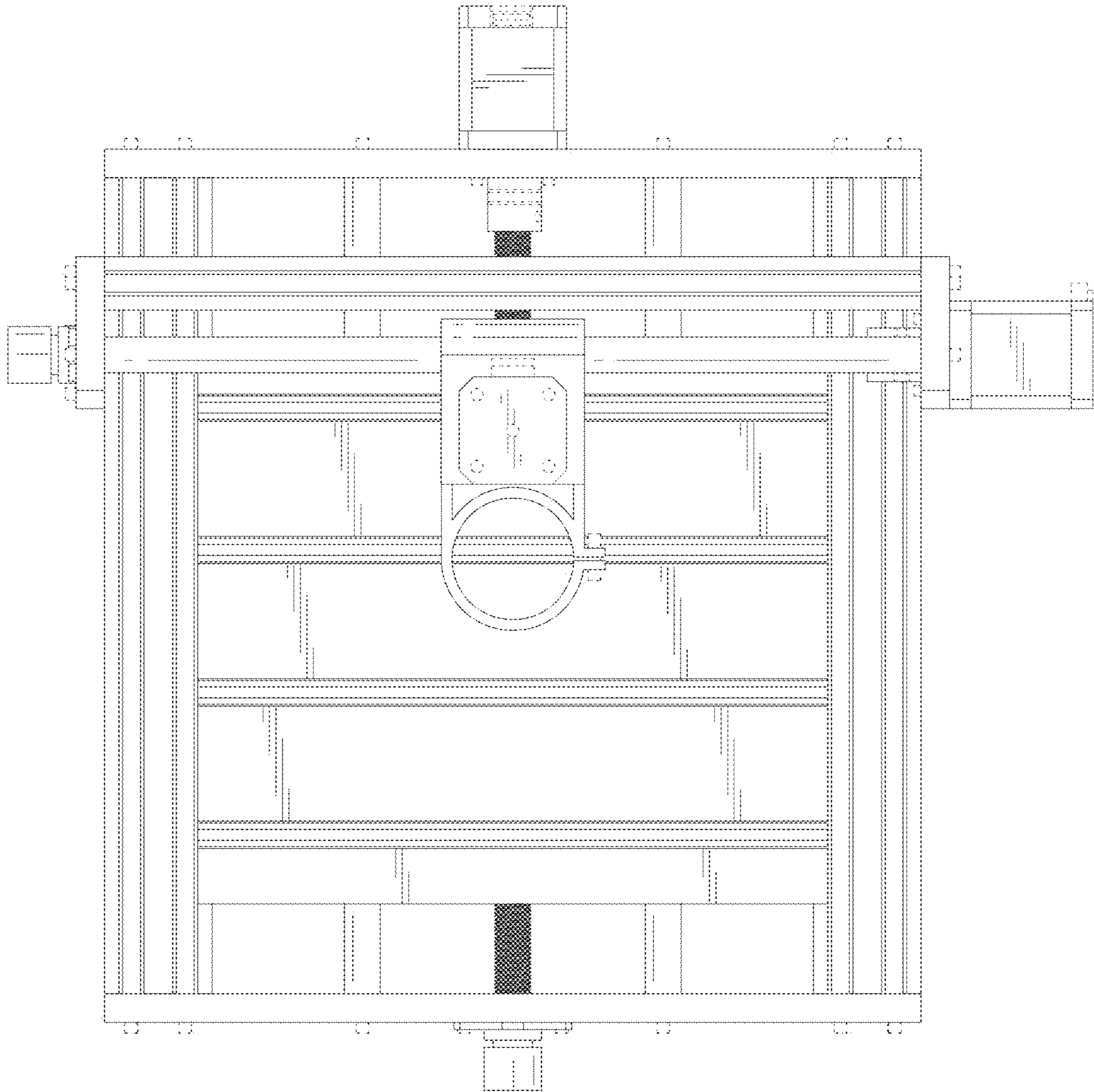


FIG. 6



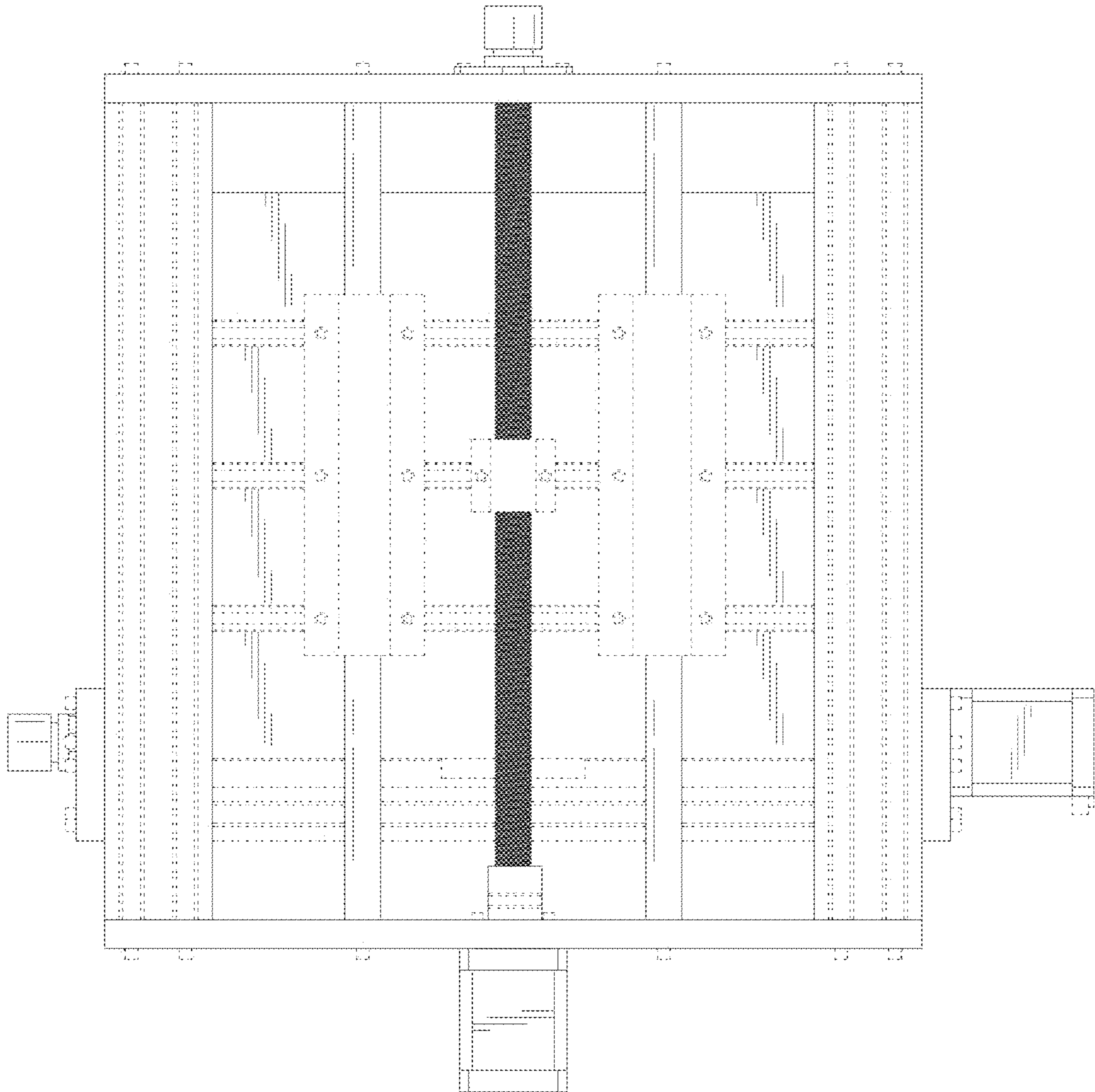


FIG. 7