

US00D957515S

(12) **United States Design Patent**
Jensen

(10) **Patent No.:** **US D957,515 S**
(45) **Date of Patent:** **** Jul. 12, 2022**

(54) **HOLDER FOR PAYMENT TERMINAL**
(71) Applicant: **Ergonomic Solutions International Limited**, Epsom (GB)
(72) Inventor: **Lars Enghave Jensen**, Nørresundby (DK)

(**) Term: **15 Years**
(21) Appl. No.: **35/510,908**

(22) Filed: **Nov. 19, 2020**

(80) **Hague Agreement Data**
Int. Filing Date: **Nov. 19, 2020**
Int. Reg. No.: **DM/211473**
Int. Reg. Date: **Nov. 19, 2020**
Int. Reg. Pub. Date: **Dec. 11, 2020**

(30) **Foreign Application Priority Data**
Oct. 7, 2020 (EM) 008196927-0002

(51) **LOC (13) Cl.** **18-01**
(52) **U.S. Cl.**

USPC **D18/12; D8/376; D14/452**

(58) **Field of Classification Search**
USPC D14/447, 432, 434, 439, 440, 451, 452, D14/457, 239, 251, 253; D8/349, 363, D8/364, 373, 380, 381; D12/415, 419, D12/420; D6/512; D18/4.4-4.6, 12, 12.1
CPC A47B 21/04; A47B 2097/006; A47B 2097/005; A47B 2023/049; A45C 2011/002; A45C 2011/003; F16M 2200/00; F16M 13/00
See application file for complete search history.

(56) **References Cited**
U.S. PATENT DOCUMENTS

D300,890 S 5/1989 Roland
D300,891 S 5/1989 Roland

D326,359 S 5/1992 Friend
D338,105 S 8/1993 Karch
D367,477 S 2/1996 Rosen
D401,211 S * 11/1998 Simpson D12/223
D409,895 S * 5/1999 Schron, Jr. D8/349
D474,676 S 5/2003 Bainbridge
D482,954 S * 12/2003 Hoernig D8/381
D494,183 S 8/2004 Wills et al.
D514,896 S 2/2006 Wickenhauser
D524,807 S 7/2006 Topinka
D581,250 S * 11/2008 Florent D8/349
D605,102 S * 12/2009 Peschmann D12/223
D655,297 S 3/2012 Magnusson
D718,699 S 12/2014 Nirenberg
D724,346 S * 3/2015 Lim D6/553
D736,210 S 8/2015 Paradise et al.
D771,031 S 11/2016 Ou et al.
D772,236 S 11/2016 Anderson

(Continued)

OTHER PUBLICATIONS

U.S. Appl. No. 35/510,942, filed Nov. 19, 2020, Jensen.
(Continued)

Primary Examiner — Keli L Hill

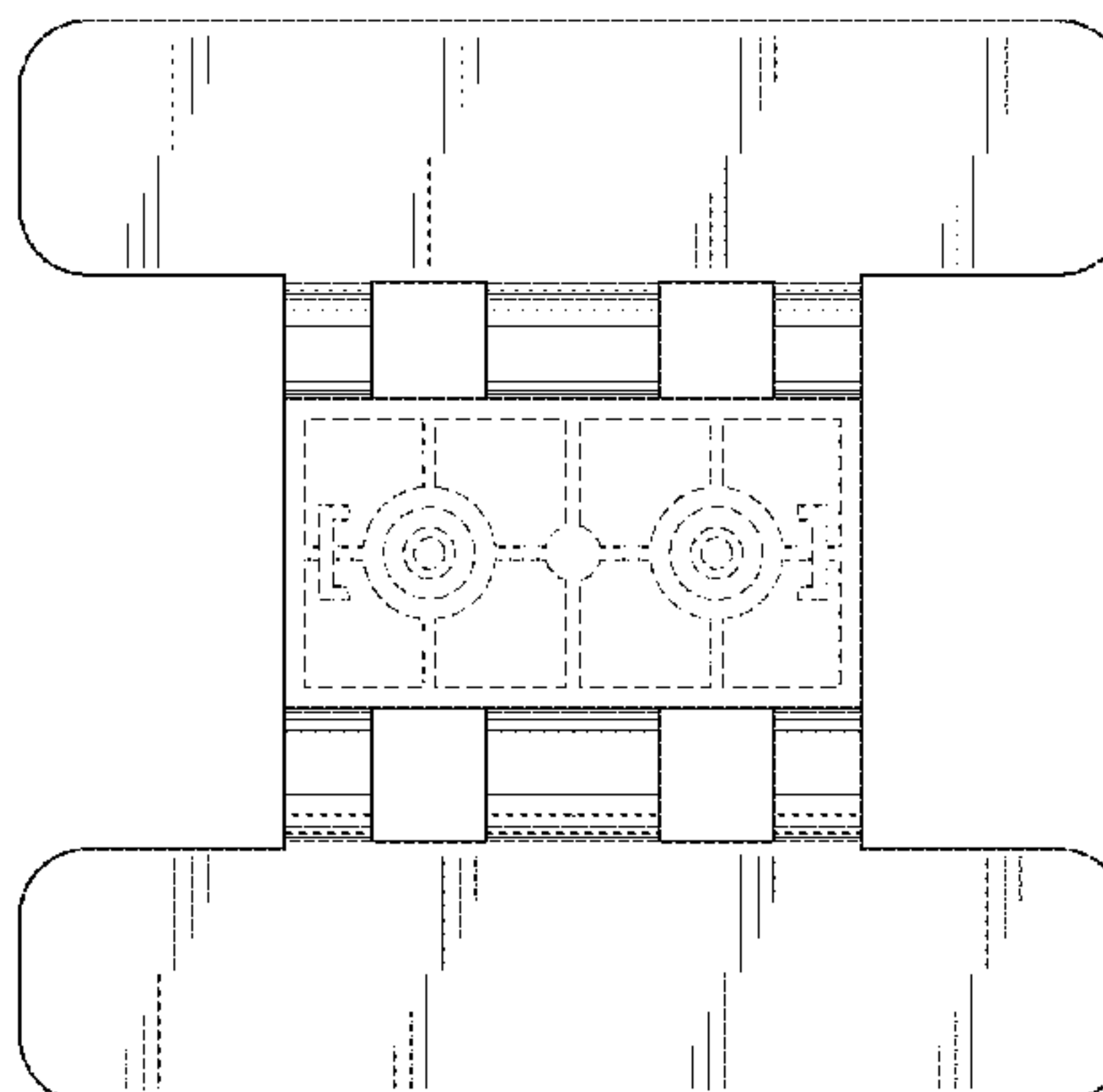
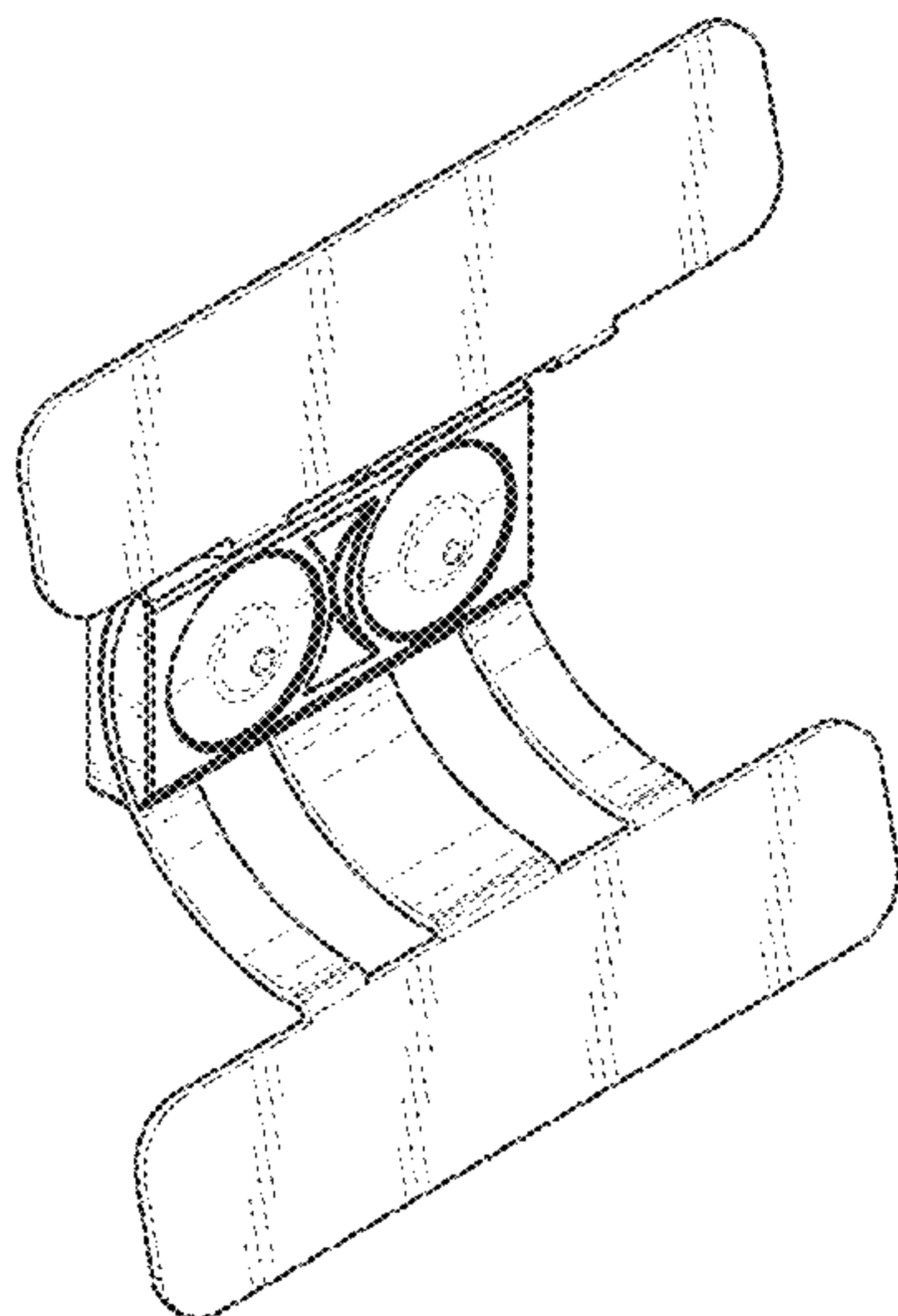
(57) **CLAIM**

The ornamental design for a holder for payment terminal, as shown and described.

DESCRIPTION

1.1 is a front perspective view of the holder for payment terminal showing my new design;
1.2 is a front elevation view thereof;
1.3 is a rear elevation view thereof;
1.4 is a left side elevation view thereof;
1.5 is a right side elevation view thereof;
1.6 is a top plan view thereof; and,
1.7 is a bottom plan view thereof.
The broken lines shown are included for the purpose of illustrating portions of the holder for payment terminal that form no part of the claim.

1 Claim, 7 Drawing Sheets



(56)

References Cited

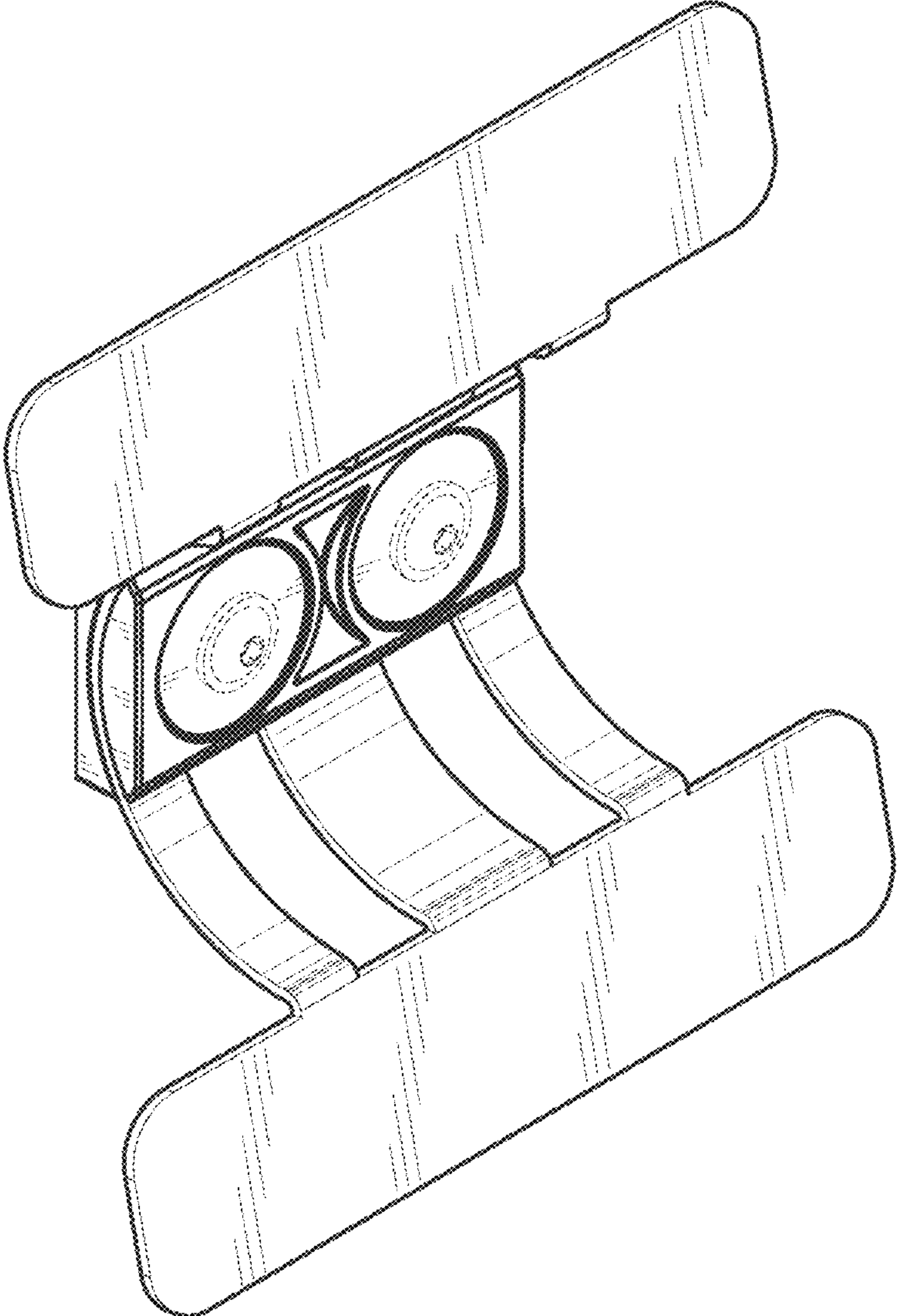
U.S. PATENT DOCUMENTS

D780,186 S 2/2017 Lee
D804,483 S * 12/2017 Minoli D14/434
D828,746 S 9/2018 Barnes et al.
D876,316 S * 2/2020 Peters D12/415
D879,793 S 3/2020 Glickstein et al.
D913,773 S 3/2021 Gaspar et al.
D920,770 S * 6/2021 Myerson D8/381
D921,560 S * 6/2021 Brunkhurst D12/223
D924,317 S * 7/2021 Laza D18/4.4
D936,458 S * 11/2021 Wu D8/349

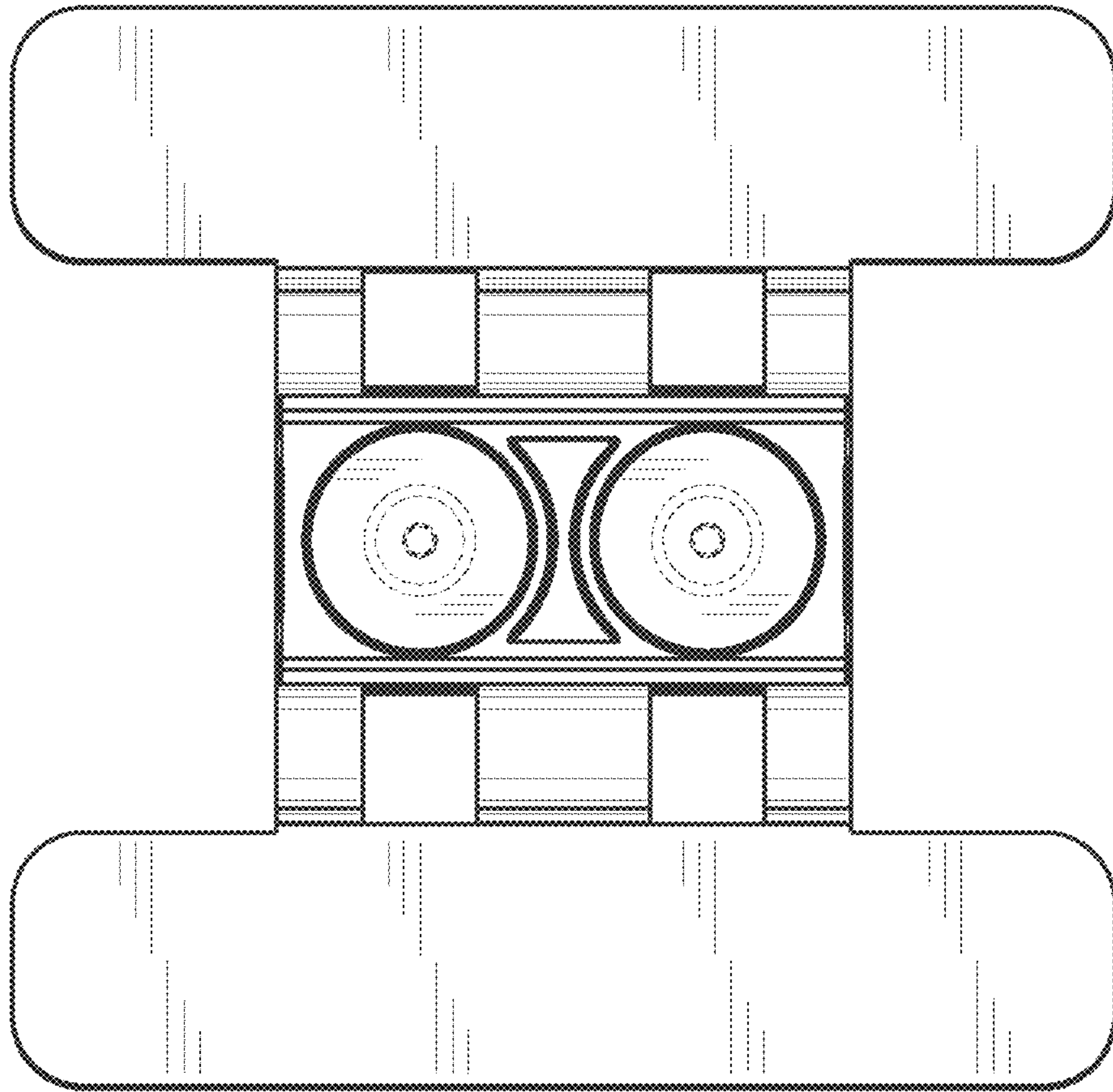
OTHER PUBLICATIONS

U.S. Appl. No. 35/510,950, filed Nov. 19, 2020, Jensen.
U.S. Appl. No. 35/510,948, filed Nov. 19, 2020, Jensen.
U.S. Appl. No. 35/510,928, filed Nov. 20, 2020, Jensen.
Official Action for U.S. Appl. No. 35/510,942, dated Jan. 5, 2022,
11 pages.
Official Action for U.S. Appl. No. 35/510,950, dated Jan. 19, 2022,
10 pages.
Official Action for U.S. Appl. No. 35/510,948, dated Jan. 5, 2022,
11 pages.
Official Action for U.S. Appl. No. 35/510,928, dated Jan. 6, 2022,
11 pages.

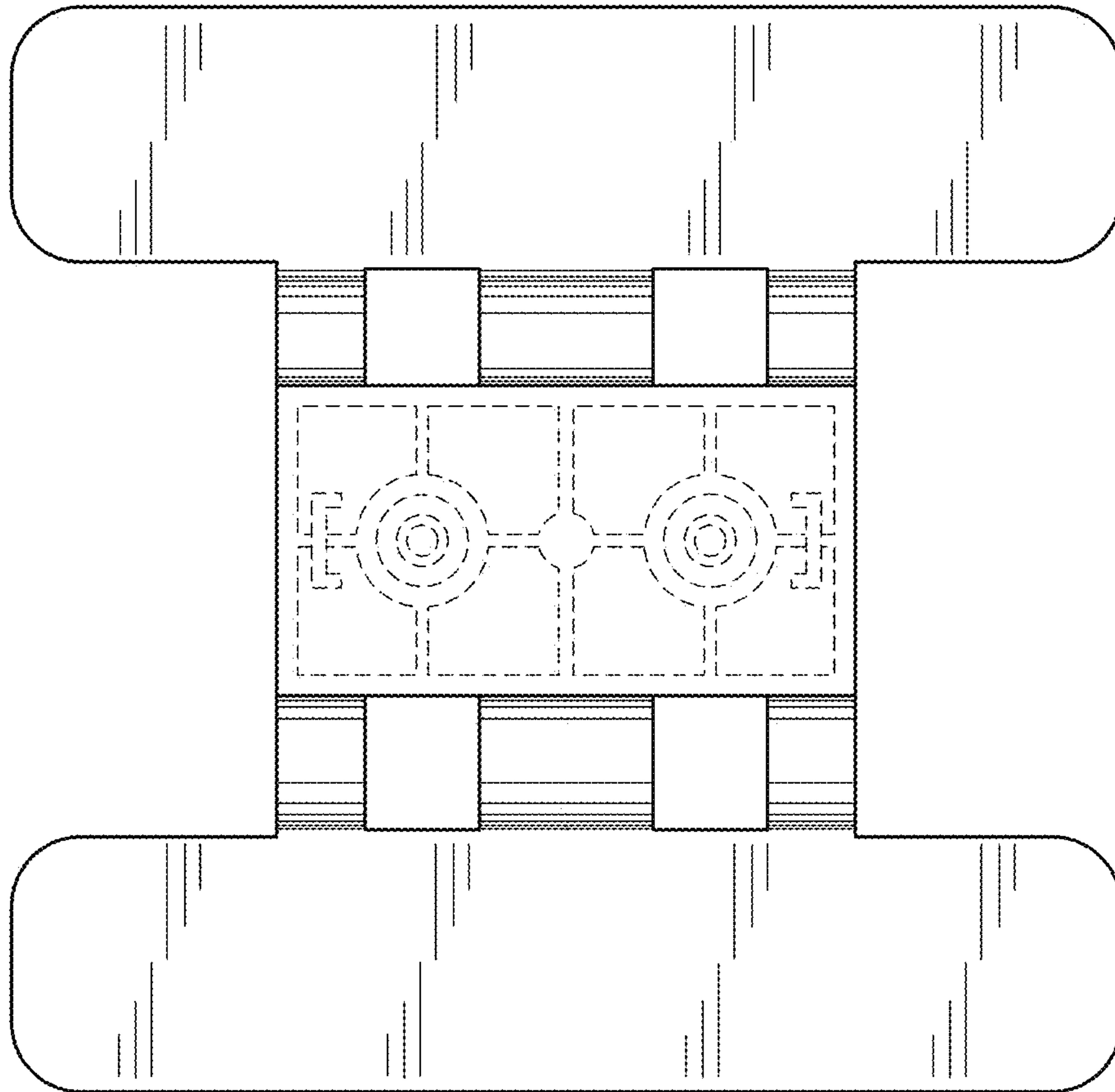
* cited by examiner



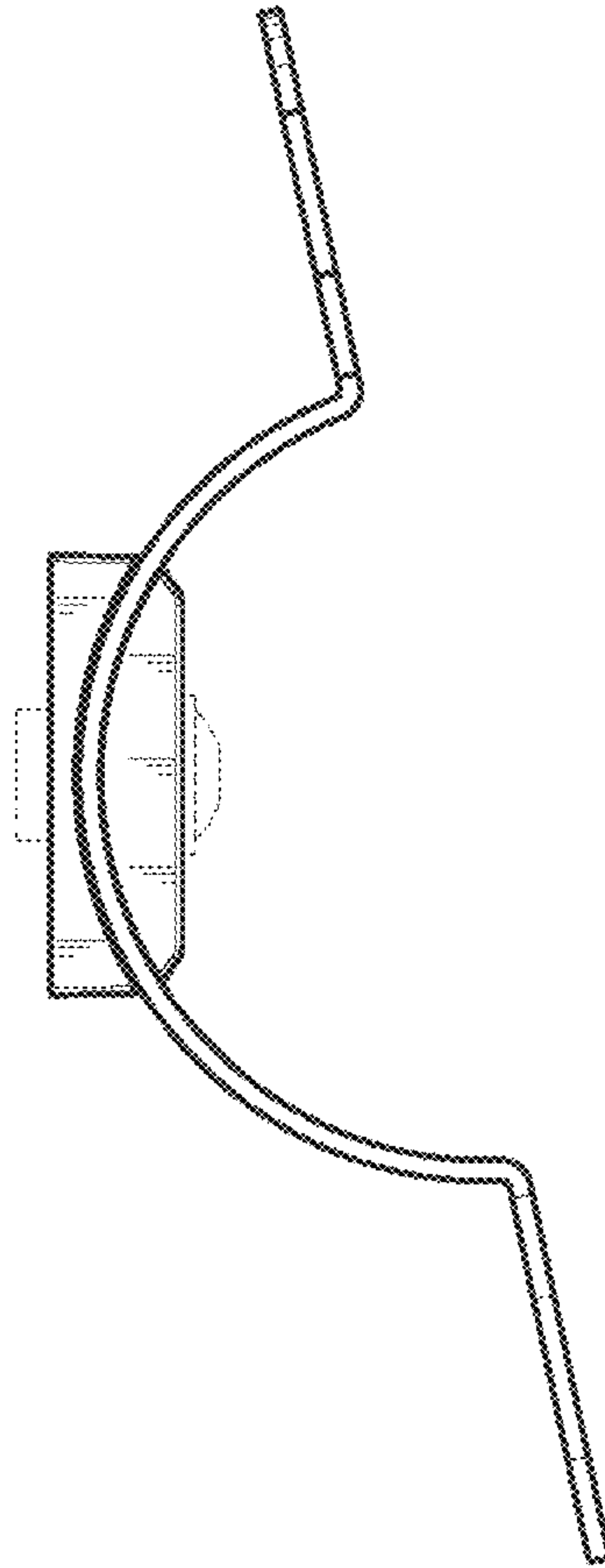
1.1



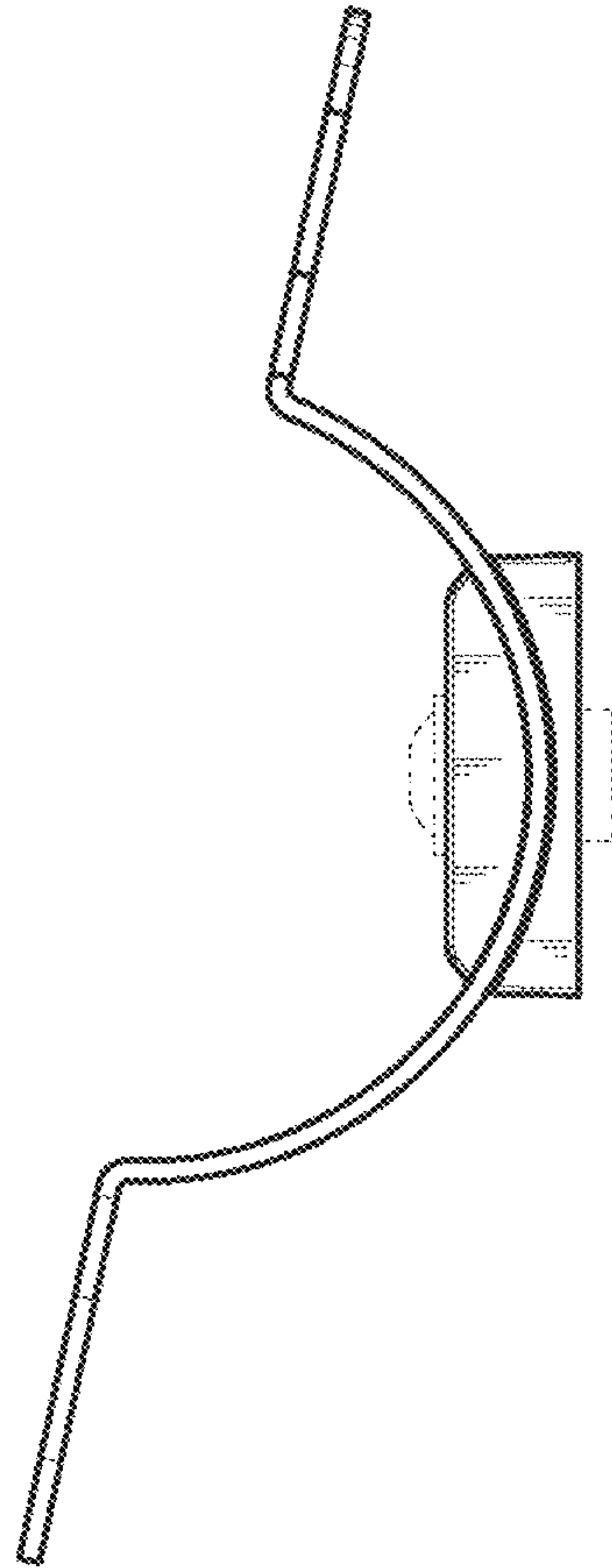
1.2



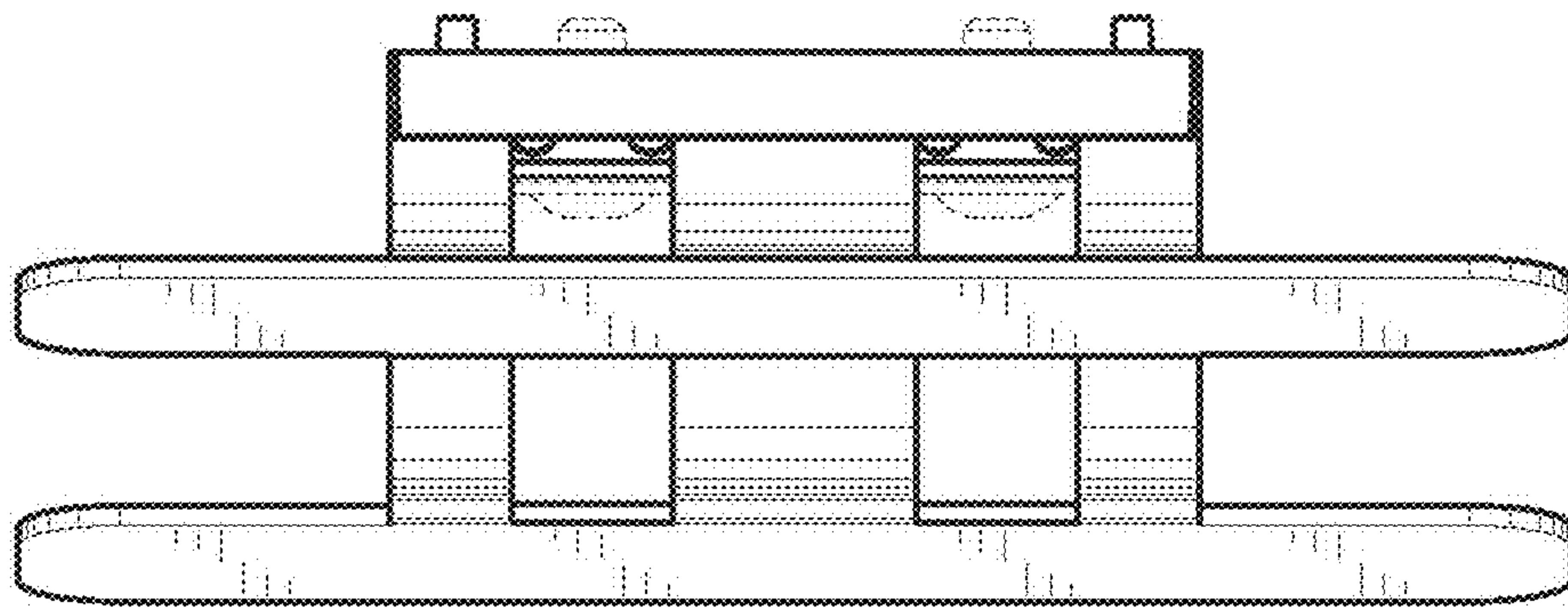
1.3



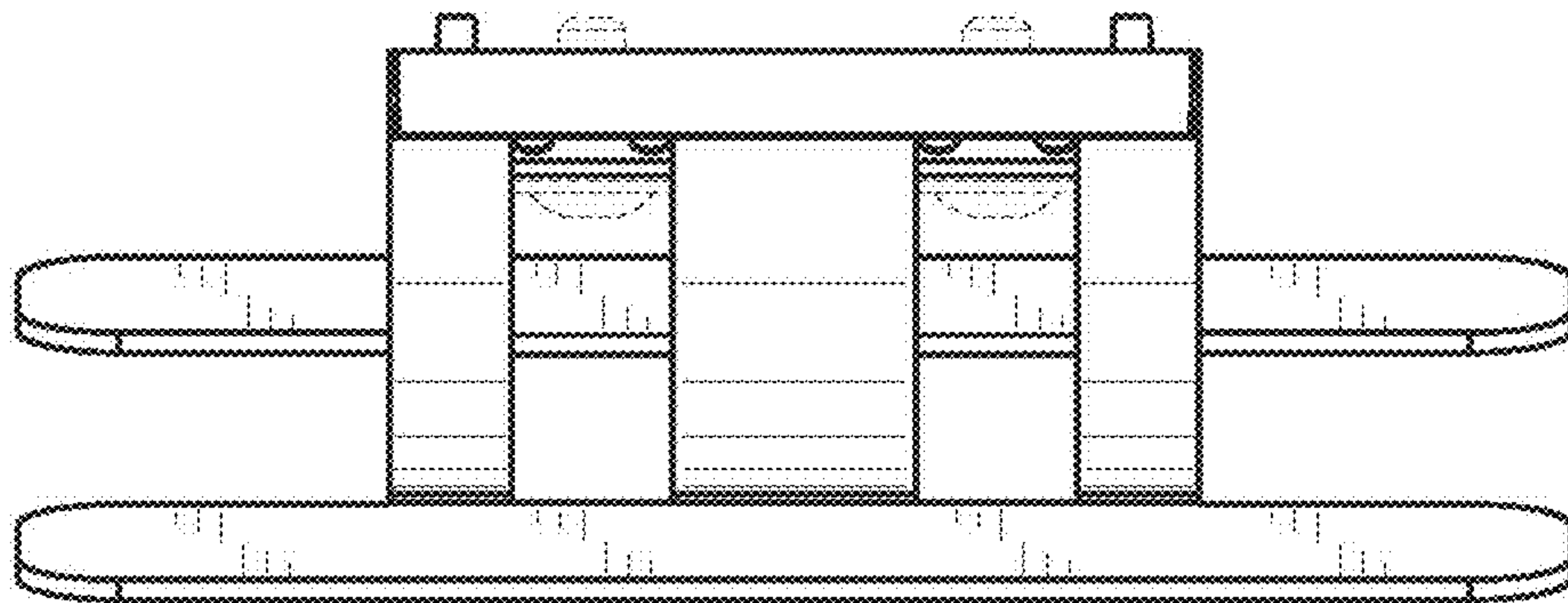
1.4



1.5



1.6



1.7