



US00D957514S

(12) **United States Design Patent**  
**Kim et al.**

(10) **Patent No.: US D957,514 S**  
(45) **Date of Patent: \*\* Jul. 12, 2022**

(54) **POINT OF SALE DEVICE**

FOREIGN PATENT DOCUMENTS

(71) Applicant: **Shopify Inc.**, Ottawa (CA)

CN 210666958 U \* 6/2020

(72) Inventors: **Jonathan Kim**, Toronto (CA); **Andrew Ferrier**, Toronto (CA); **David Gervis Waddell**, Toronto (CA); **Michael Joseph DeFazio**, Fonthill (CA); **Silvana Zaldivar**, Toronto (CA)

OTHER PUBLICATIONS

Announcing ChecOut M—Worlds First Mobile AIO POS Payment Terminal Solution. by: Newswire. (online) 4 pgs. Available as early as Jan. 13, 2017. [retrieved Dec. 2, 2020] <https://www.newswire.com/news/announcing-checout-m-worlds-first-mobile-aio-pos-payment-terminal-18548433>.\*

(73) Assignee: **Shopify Inc.**, Ottawa (CA)

(Continued)

(\*\*) Term: **15 Years**

*Primary Examiner* — Marie D. Fast Horse

(21) Appl. No.: **29/738,411**

(74) *Attorney, Agent, or Firm* — GTC Law Group PC & Affiliates

(22) Filed: **Jun. 17, 2020**

(57) **CLAIM**

(51) **LOC (13) Cl.** ..... **18-01**

The ornamental design for a point of sale device, as shown and described.

(52) **U.S. Cl.**

USPC ..... **D18/4.6**

**DESCRIPTION**

(58) **Field of Classification Search**

USPC ..... D18/4.4, 4.5, 4.6, 2, 11, 50, 14, 19–21, D18/54, 54.1, 99; D10/46, 61, 62, 70, D10/104.1, 104.2, 106.2, 106.6, 65, 66; D20/1, 8, 9; D14/496, 299, 338, 339, D14/341, 346, 383, 385, 386, 387, 440, D14/507, 137, 138 R, 138 AA, 138 G; D99/28, 43  
CPC ..... H04W 8/22; H04W 52/0225; H04W 52/0254; G06Q 20/00; G06Q 20/08; G06Q 20/20; G06Q 20/204; G07F 7/0873; G07F

FIG. 1 is an upper right front perspective view of a point of sale device;

FIG. 2 is upper left rear perspective view of the point of sale device;

FIG. 3 is front plan view of the point of sale device;

FIG. 4 is a rear plan view the point of sale device;

FIG. 5 is a left side plan view of the point of sale device;

FIG. 6 is a right side plan view of the point of sale device;

FIG. 7 is top plan view of the point of sale device;

FIG. 8 is bottom plan view of the point of sale device;

FIG. 9 is an enlarged partial bottom right front perspective detail view of the point of sale device of FIG. 1; and,

FIG. 10 is an enlarged partial top right rear perspective detail view of the point of sale device of FIG. 1.

The broken wavy crop lines consisting of uneven sized dashes in FIGS. 9 and 10 aid in enlargement of the detail views only and form no part of the claim.

All other broken lines in the drawings depict portions of the point of sale device that form no part of the claimed design.

(Continued)

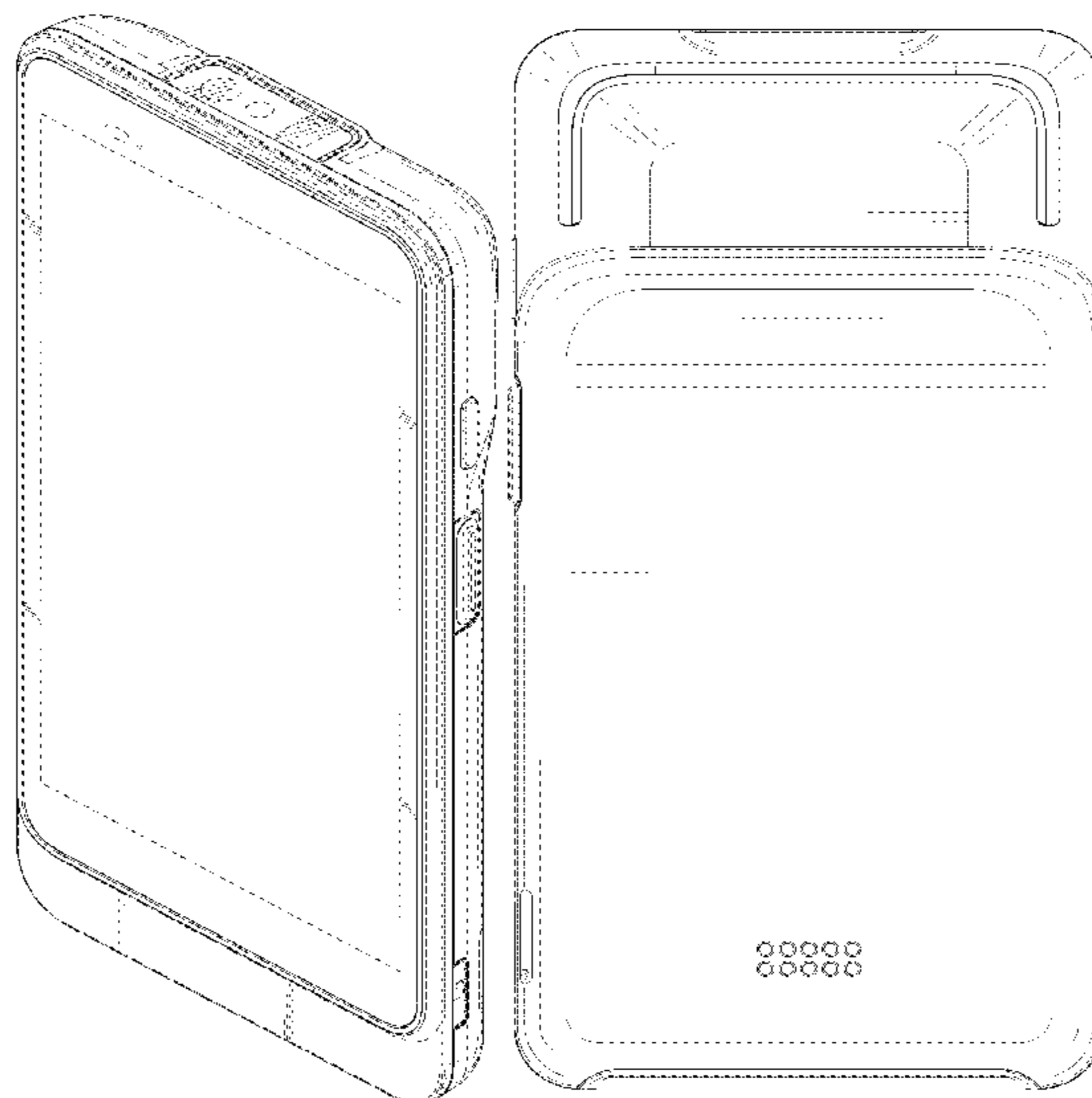
(56) **References Cited**

U.S. PATENT DOCUMENTS

D390,204 S \* 2/1998 De La Fuenie Monge . D14/387  
D428,019 S \* 7/2000 Amron ..... D14/203.7  
D493,816 S \* 8/2004 Butler ..... D14/371

(Continued)

**1 Claim, 7 Drawing Sheets**



(58) **Field of Classification Search**  
 CPC ..... 7/088; G07F 7/0886; G07F 7/0893; G07F  
 7/025  
 See application file for complete search history.

(56) **References Cited**

U.S. PATENT DOCUMENTS

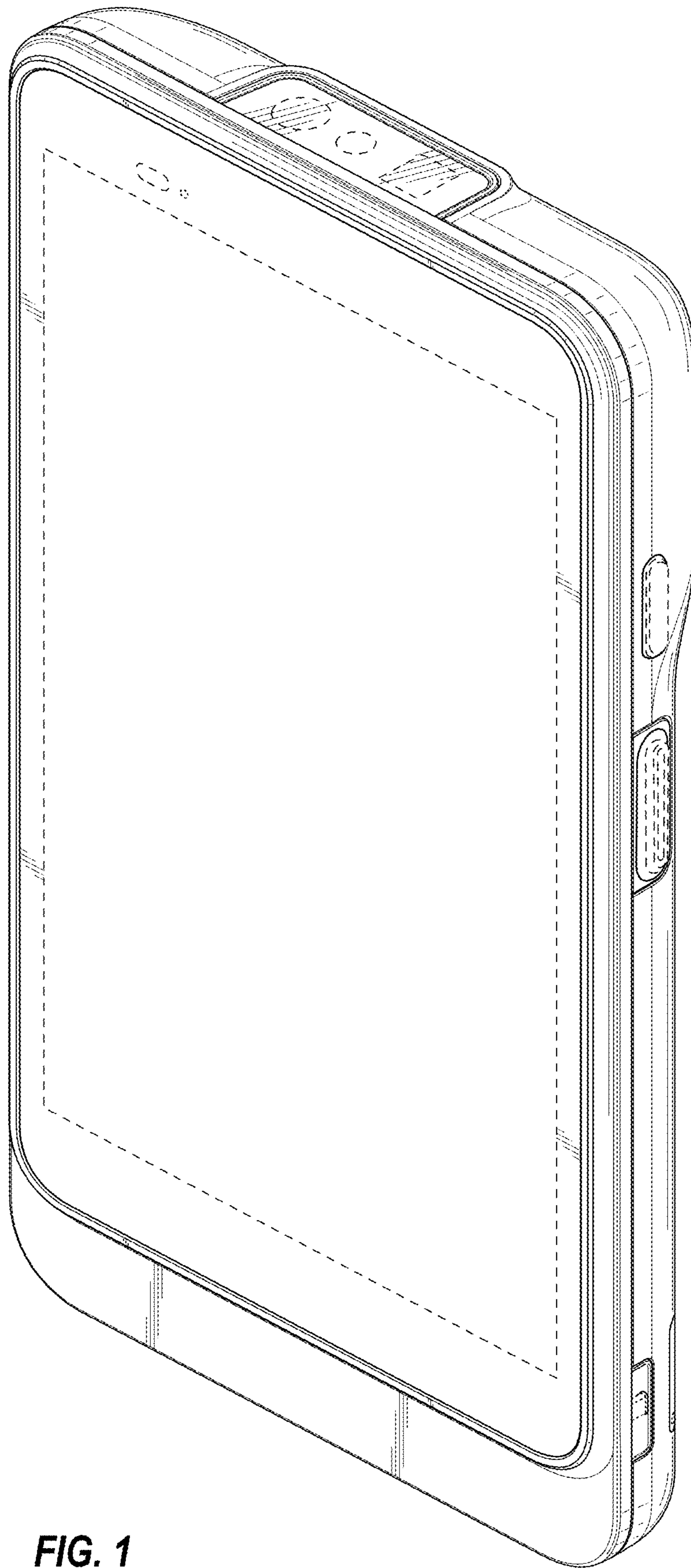
7,209,126 B2 \* 4/2007 Kim ..... G07G 1/0018  
 345/173  
 D548,713 S \* 8/2007 Lee ..... D14/138 AD  
 D576,988 S \* 9/2008 Kim ..... D14/138 AA  
 D622,692 S \* 8/2010 McWilliam ..... D14/138 G  
 D624,114 S \* 9/2010 Ausems ..... G07F 7/0886  
 D18/4.6  
 D624,115 S \* 9/2010 Ausems ..... G07F 7/10  
 D18/4.6  
 D626,550 S \* 11/2010 Julien ..... D14/341  
 D638,012 S \* 5/2011 Tian ..... D14/341  
 D665,371 S \* 8/2012 Finney ..... D14/138 G  
 D672,386 S \* 12/2012 Matunuma ..... D18/4.6  
 D681,036 S \* 4/2013 Taunay da Graca Couto .....  
 D14/385  
 D681,639 S \* 5/2013 Cruz ..... D14/385  
 D682,273 S \* 5/2013 Taunay da Graca Cuoto .....  
 D14/385  
 D684,574 S \* 6/2013 Taunay da Graca Couto .....  
 D14/385  
 D698,384 S \* 1/2014 Cruz ..... D18/4.4  
 D703,670 S \* 4/2014 Rotsaert ..... D14/385  
 D707,676 S \* 6/2014 Azuma ..... D14/385  
 D707,677 S \* 6/2014 Azuma ..... D14/385  
 D709,069 S \* 7/2014 Cruz ..... D14/385  
 D716,300 S \* 10/2014 Cruz ..... D14/385  
 D716,372 S \* 10/2014 Lee ..... D18/4.6  
 D725,109 S \* 3/2015 Azuma ..... D14/385  
 D727,902 S \* 4/2015 Saulnier, III ..... D14/385  
 D754,650 S \* 4/2016 Curtis ..... D14/250  
 9,323,961 B2 \* 4/2016 Azuma ..... G06K 7/084  
 D764,458 S \* 8/2016 Jobetto ..... D14/341  
 D771,033 S \* 11/2016 Jobetto ..... D14/341  
 D781,847 S \* 3/2017 Kim ..... D14/341  
 D787,510 S \* 5/2017 Kitade ..... D14/341  
 D790,536 S \* 6/2017 Kitade ..... D14/341  
 D791,223 S \* 7/2017 Blanc ..... D18/4.6  
 D794,589 S \* 8/2017 Daniel ..... D14/138 G  
 D798,378 S \* 9/2017 Kim ..... D18/4.6  
 D804,440 S \* 12/2017 Lee ..... D14/138 G  
 D806,158 S \* 12/2017 Yaginuma ..... D18/4.4  
 D806,705 S \* 1/2018 Akana ..... D14/341  
 D809,508 S \* 2/2018 Akana ..... D14/341  
 D812,582 S \* 3/2018 Jiang ..... D14/138 G  
 D812,584 S \* 3/2018 Shin ..... D14/138 G  
 D815,613 S \* 4/2018 Jeong ..... D14/138 G  
 D821,398 S \* 6/2018 Karlsson ..... D14/387  
 D831,017 S \* 10/2018 Choe ..... D14/248

D835,597 S \* 12/2018 Lee ..... H04M 1/0277  
 D14/138 G  
 D841,648 S \* 2/2019 Rotsaert ..... D14/385  
 D844,047 S \* 3/2019 Yeruva ..... D18/4.6  
 D844,607 S \* 4/2019 Fredette ..... D14/385  
 D844,696 S \* 4/2019 Yeruva ..... D18/4.5  
 D845,298 S \* 4/2019 Wang ..... D14/385  
 D850,446 S \* 6/2019 Wang ..... D14/385  
 D851,697 S \* 6/2019 Qiu ..... D18/4.6  
 D859,516 S \* 9/2019 Wang ..... D18/4.6  
 D860,307 S \* 9/2019 Wang ..... D18/4.6  
 D864,141 S \* 10/2019 Kim ..... D14/138 G  
 D878,367 S \* 3/2020 Rotsaert ..... D14/385  
 D880,580 S \* 4/2020 Wang ..... D18/4.4  
 D883,942 S \* 5/2020 Cha ..... D14/138 G  
 D886,898 S \* 6/2020 Huang ..... D18/4.6  
 D887,381 S \* 6/2020 Lin ..... D14/138 G  
 D888,682 S \* 6/2020 Lin ..... D14/138 G  
 D904,995 S \* 12/2020 Baek ..... D14/138 G  
 D914,631 S \* 3/2021 Mu ..... D14/138 G  
 D920,305 S \* 5/2021 Seo ..... D14/248  
 D929,356 S \* 8/2021 Kim ..... D14/138 G  
 D929,357 S \* 8/2021 Guo ..... D14/138 G  
 D933,626 S \* 10/2021 Zhu ..... D14/138 G  
 D936,054 S \* 11/2021 Wang ..... D14/385  
 D941,911 S \* 1/2022 Luo ..... D18/4.6  
 2009/0316343 A1 \* 12/2009 Tang ..... F16M 11/041  
 361/679.01  
 2011/0095084 A1 \* 4/2011 Tian ..... G06F 21/34  
 235/379  
 2014/0058859 A1 \* 2/2014 Alexander ..... G07F 7/0886  
 705/17  
 2014/0347000 A1 \* 11/2014 Hamann ..... G06F 1/1626  
 320/103  
 2015/0161601 A1 \* 6/2015 Matsumoto ..... G06Q 20/353  
 705/17  
 2015/0278557 A1 \* 10/2015 Yasutomi ..... G06F 21/86  
 361/679.3  
 2016/0034725 A1 \* 2/2016 Yasutomi ..... G06K 7/084  
 235/380  
 2016/0335037 A1 \* 11/2016 Baranowski ..... B41J 2/315  
 2018/0068300 A1 \* 3/2018 Saeed ..... G07F 7/0886  
 2019/0199408 A1 \* 6/2019 Saeed ..... H01Q 1/243

OTHER PUBLICATIONS

PowerPoint Presentation—Specifications Checkout M. by innowi.  
 (online pdf) 11 pgs. Copyright 2017. [retrieved Dec. 2, 2020]  
<https://www.posdata.com/wp-content/uploads/2019/01/Innowi-Spec-Sheet.pdf>.  
 Payment Terminals. (Design—© Questel) orbit.com. [online PDF  
 of Foreign references] 68 pgs. Print Dates range Jul. 23, 2019-Feb.  
 12, 2021. [Retrieved Oct. 22, 2021] <https://www.orbit.com/export/QPTUJ214/pdf2/23766e60-3c0f-4428-aa8b-87e5f650b705-213508.pdf>.

\* cited by examiner



**FIG. 1**

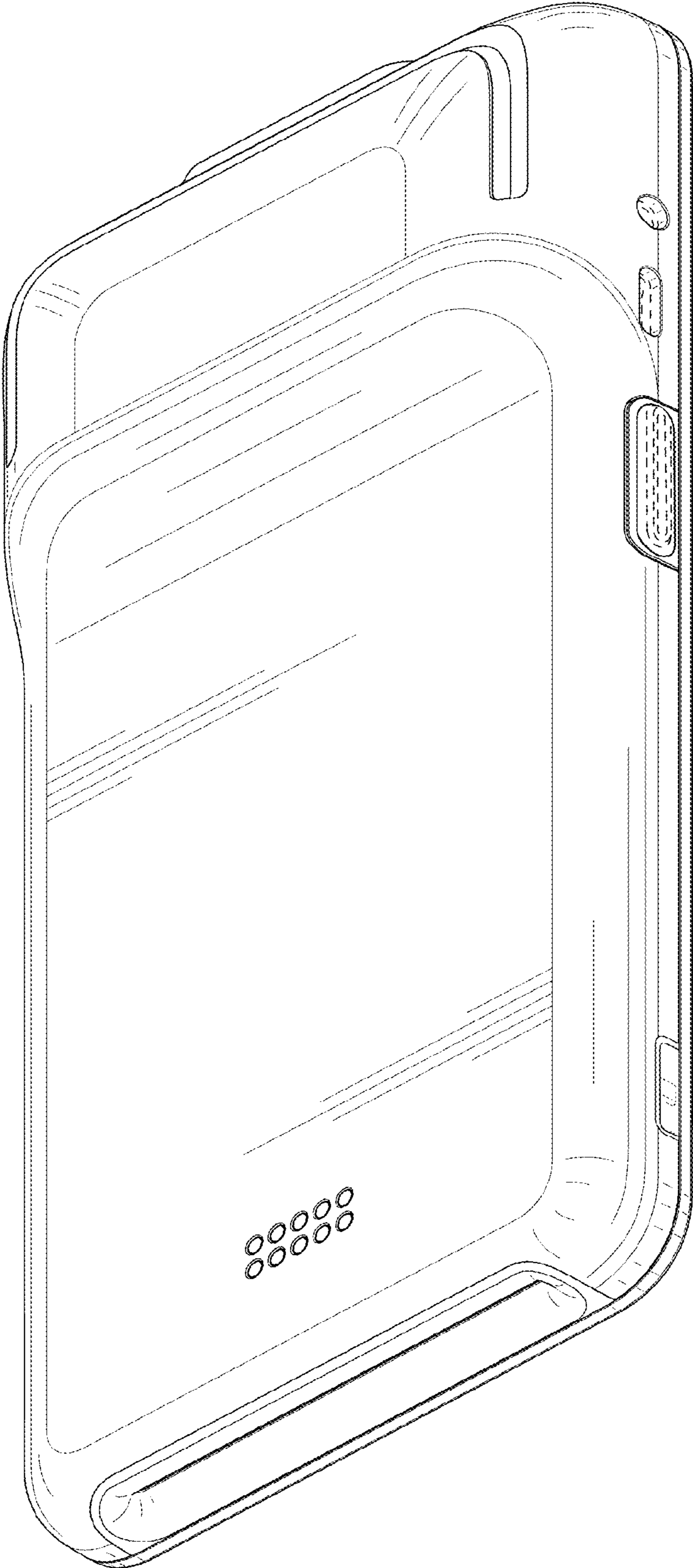


FIG. 2

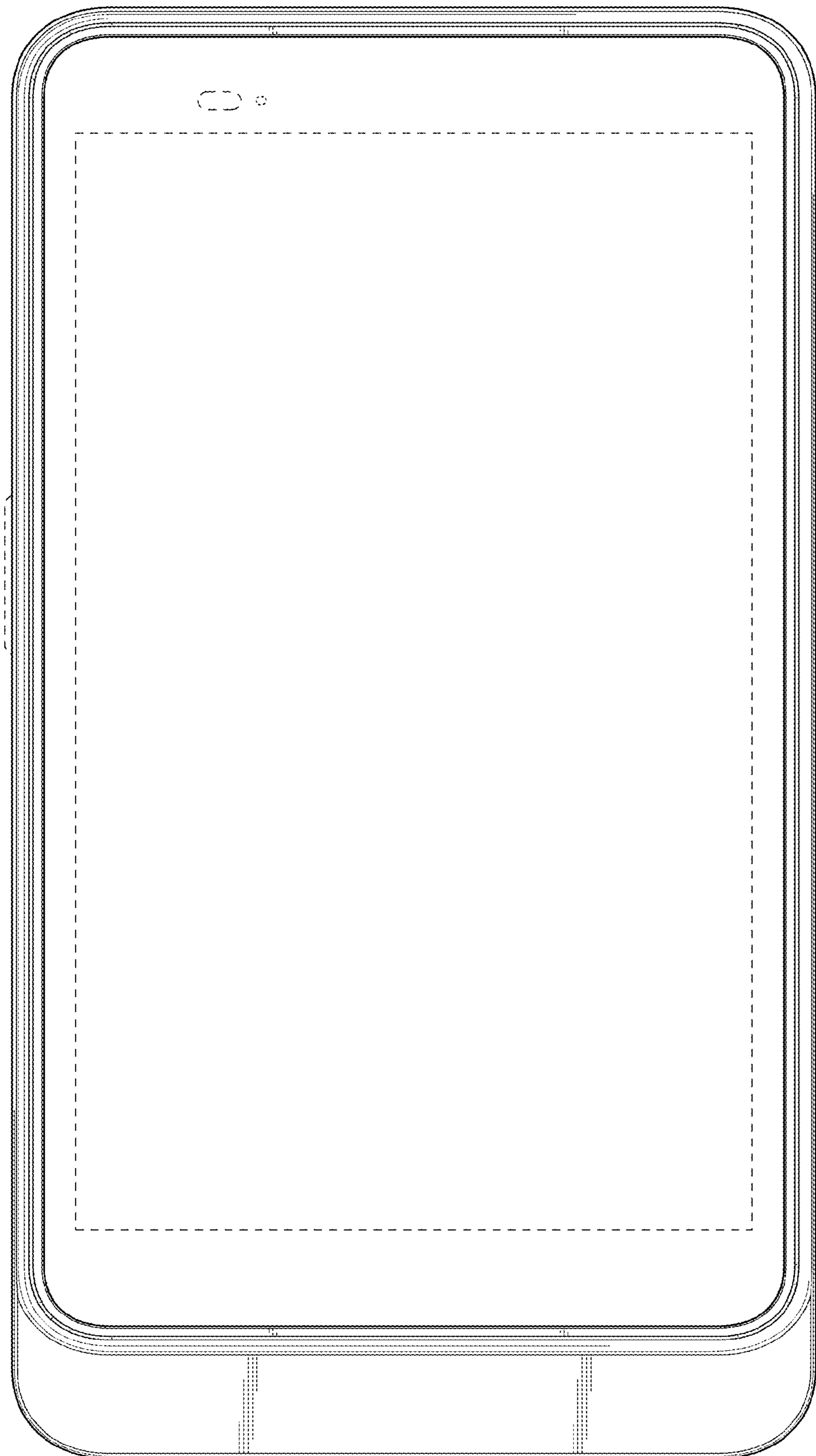


FIG. 3

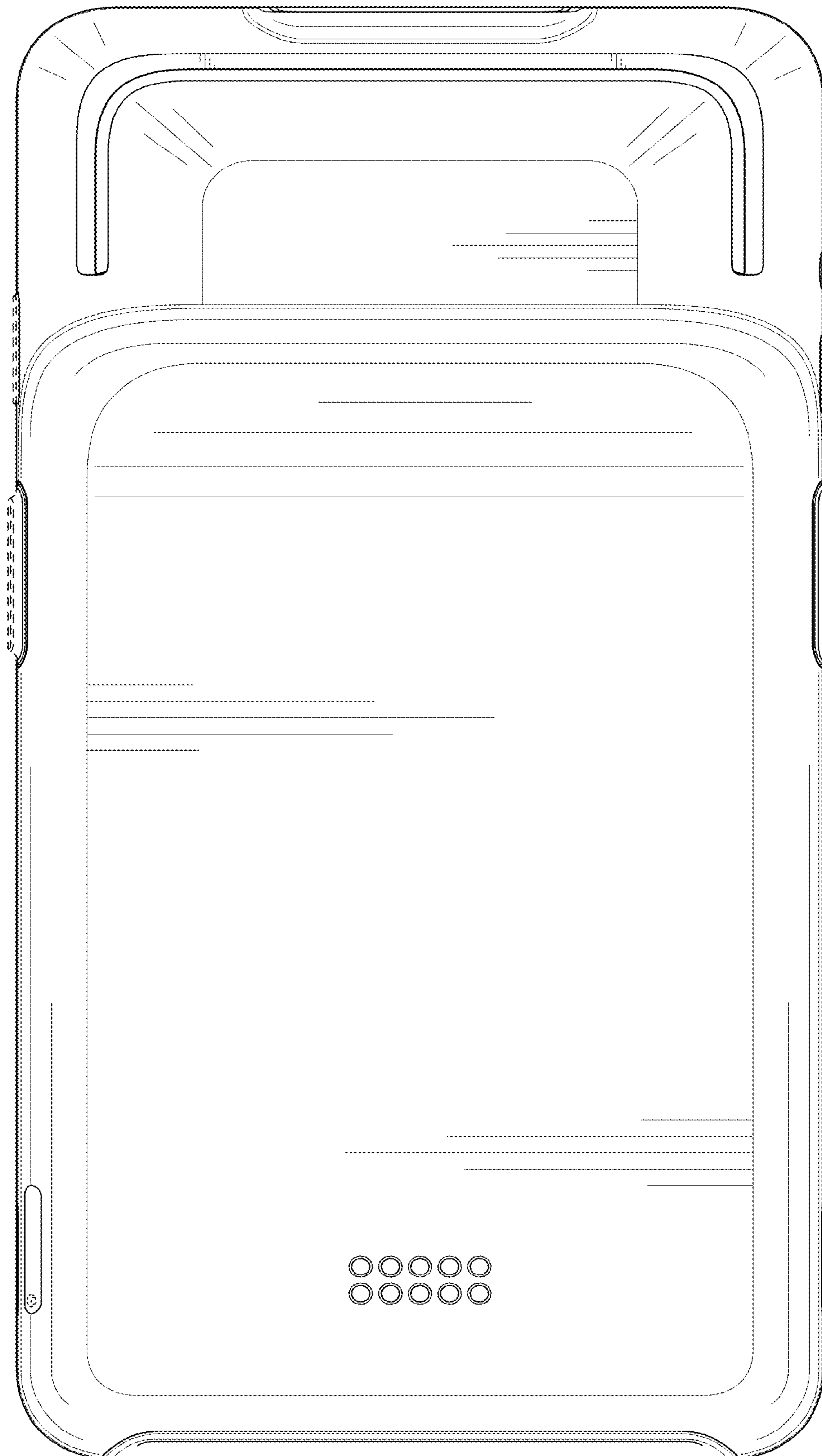
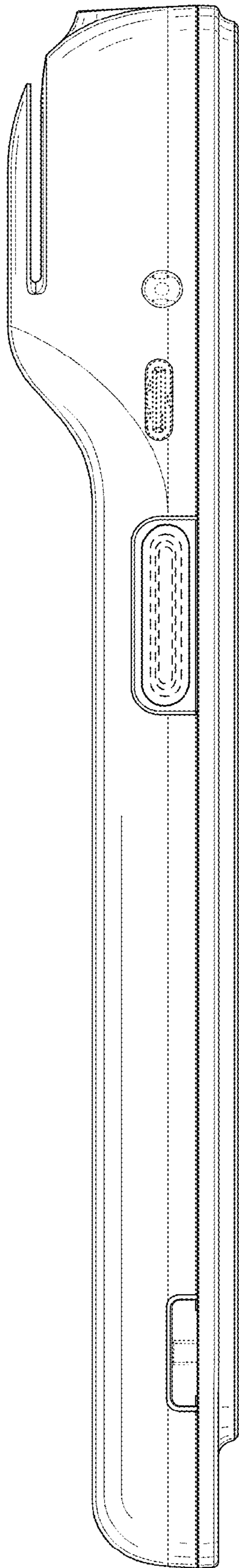
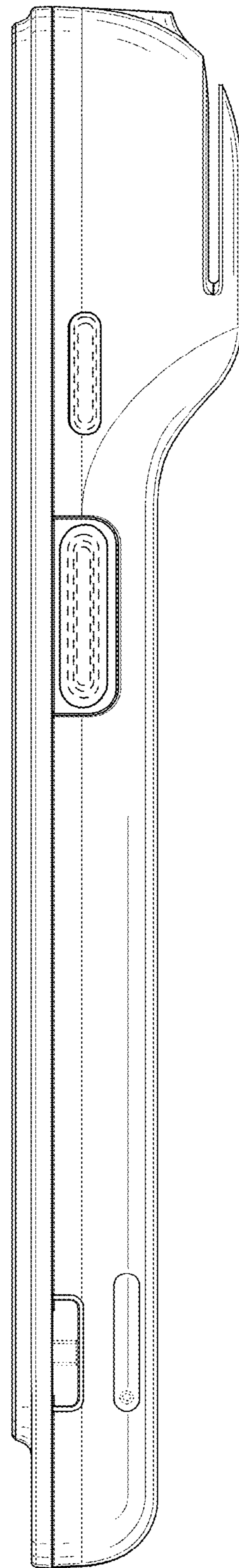


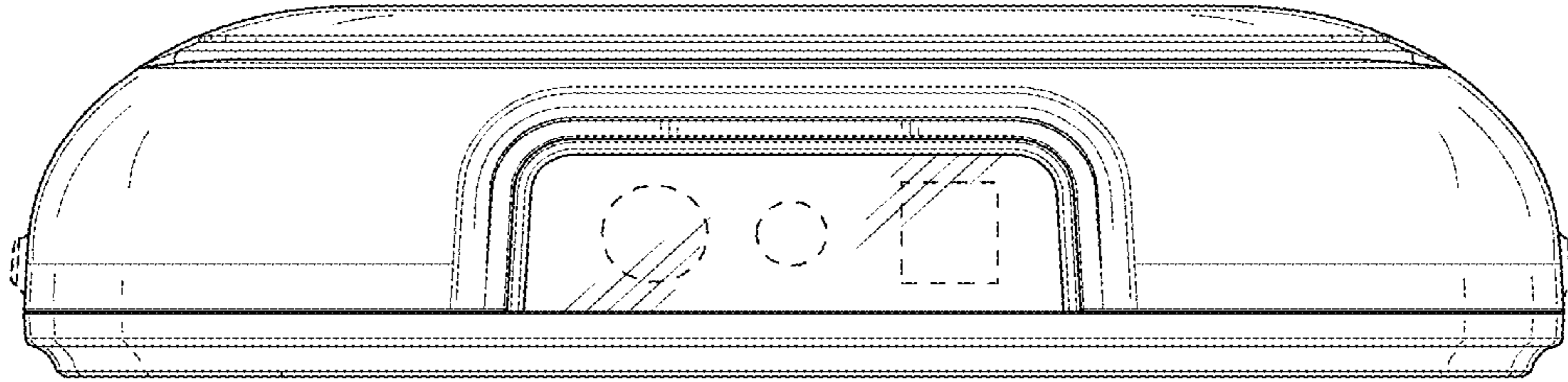
FIG. 4



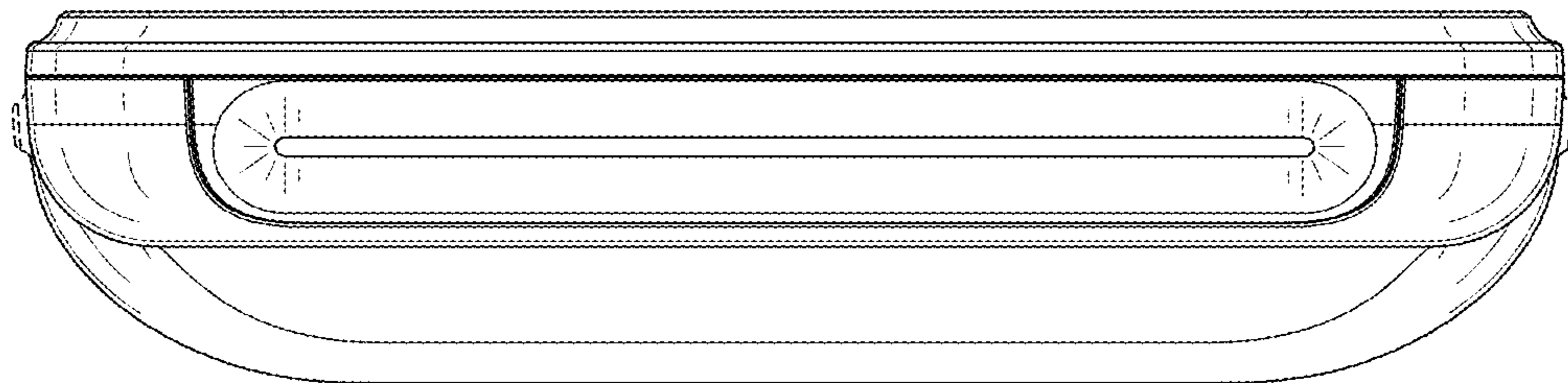
**FIG. 5**



**FIG. 6**

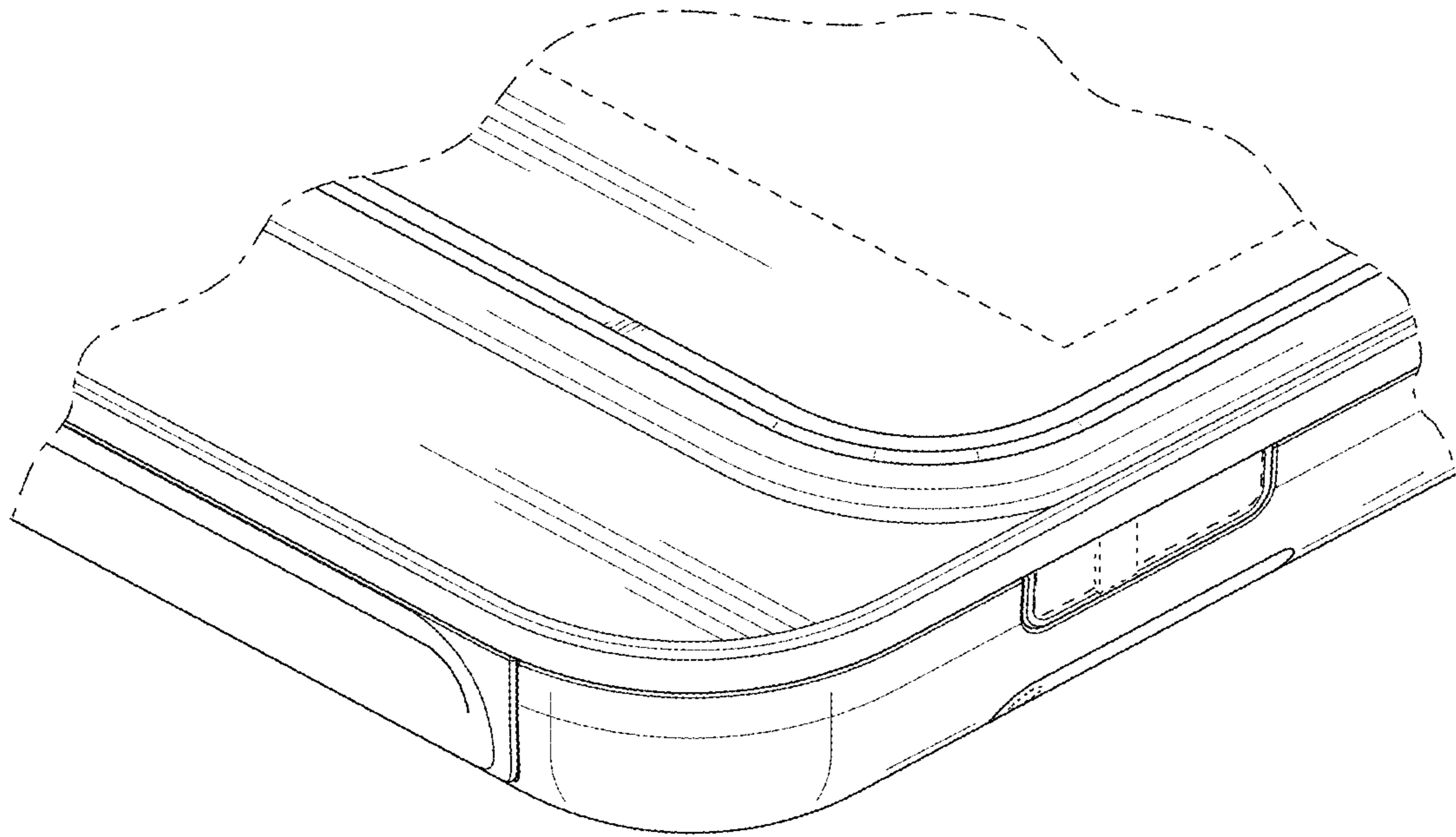


**FIG. 7**

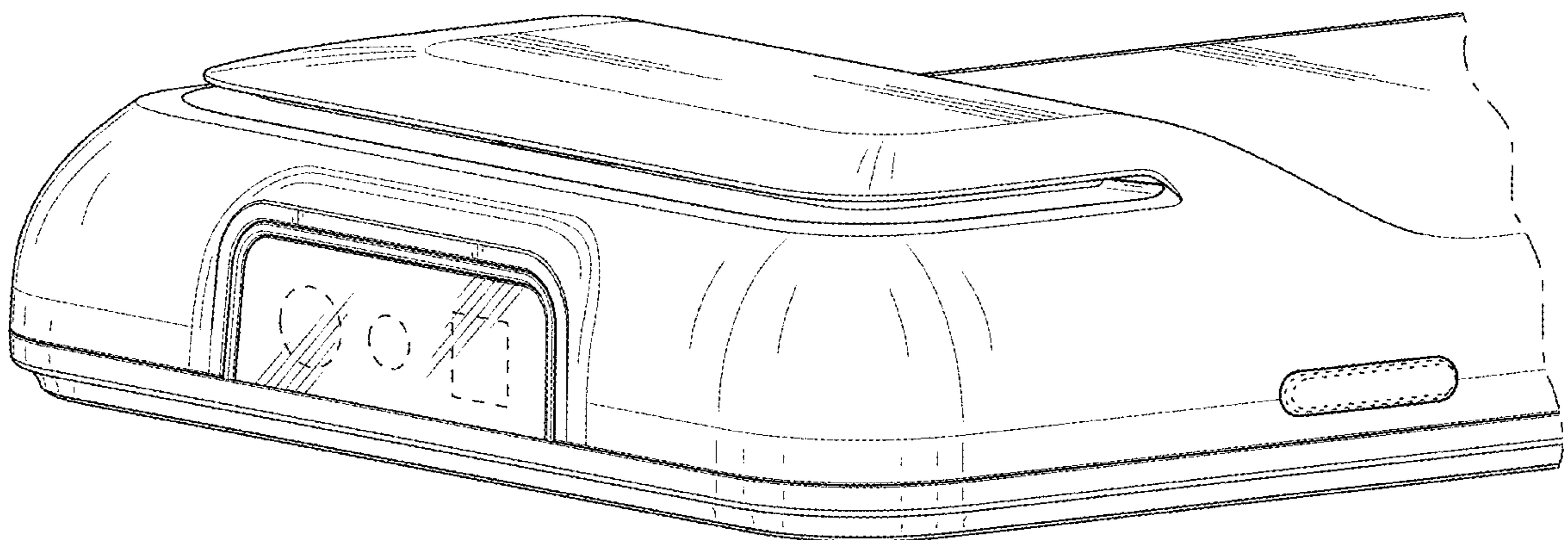


**FIG. 8**





**FIG. 9**



**FIG. 10**