



US00D957513S

(12) **United States Design Patent**
Rognlien et al.

(10) **Patent No.:** **US D957,513 S**

(45) **Date of Patent:** **** Jul. 12, 2022**

(54) **MUSICAL STRING INSTRUMENT NUT AND BRIDGE FILE**

(71) Applicant: **Music Nomad, LLC**, Sonoma, CA (US)

(72) Inventors: **Rand Rognlien**, Sonoma, CA (US);
Pieter Schouten, Berkley, CA (US)

(73) Assignee: **Music Nomad, LLC**, Sonoma, CA (US)

(**) Term: **15 Years**

(21) Appl. No.: **29/749,163**

(22) Filed: **Sep. 3, 2020**

(51) **LOC (13) Cl.** **17-03**

(52) **U.S. Cl.**
USPC **D17/20**

(58) **Field of Classification Search**
USPC D17/13, 20, 99; D8/90
CPC .. G10D 3/00; G10D 3/04; G10D 3/10; G10D 3/12; G10D 3/18; G10D 3/147; G10D 3/173; B23D 71/04
See application file for complete search history.

(56) **References Cited**

U.S. PATENT DOCUMENTS

- 4,137,670 A * 2/1979 Goralski B24D 15/023
407/29.15
- D276,129 S * 10/1984 Hayes D8/90
- D324,474 S * 3/1992 Killins D8/88
- D440,854 S * 4/2001 Killins D8/90
- D442,456 S * 5/2001 Killins D8/90
- D661,341 S * 6/2012 Baron D17/20
- D757,631 S * 5/2016 Jamieson D12/223

- D910,867 S * 2/2021 Kaminski, Jr. D24/214
- 2010/0313611 A1* 12/2010 Goulet G10D 3/00
70/58
- 2017/0151652 A1 6/2017 Ogura et al.

FOREIGN PATENT DOCUMENTS

- WO WO-2019060528 A1 * 3/2019 B24D 15/02
- WO 2019079183 A1 4/2019
- WO WO-2019079183 A1 * 4/2019 B23D 71/04

* cited by examiner

Primary Examiner — R. Johnson

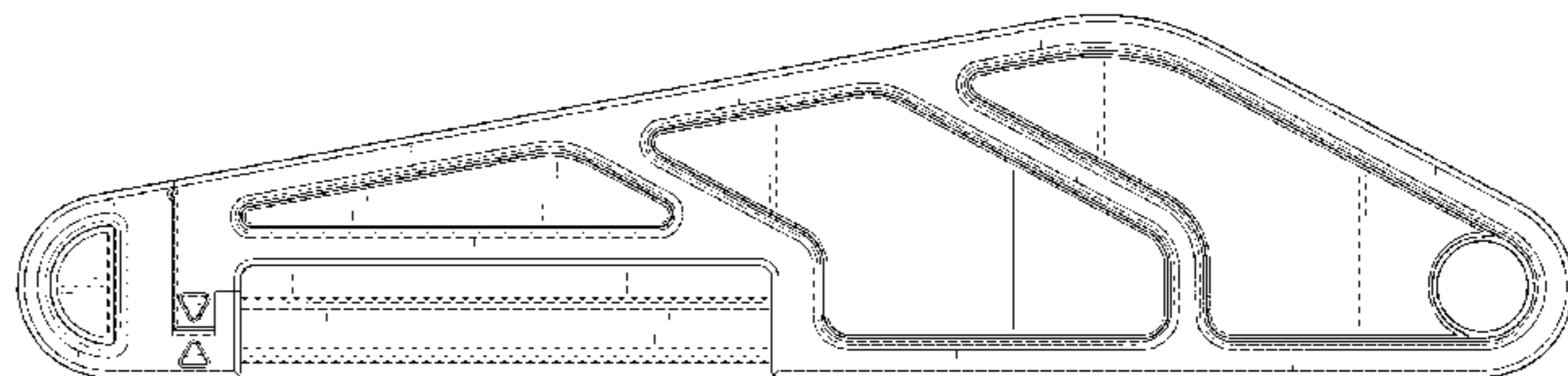
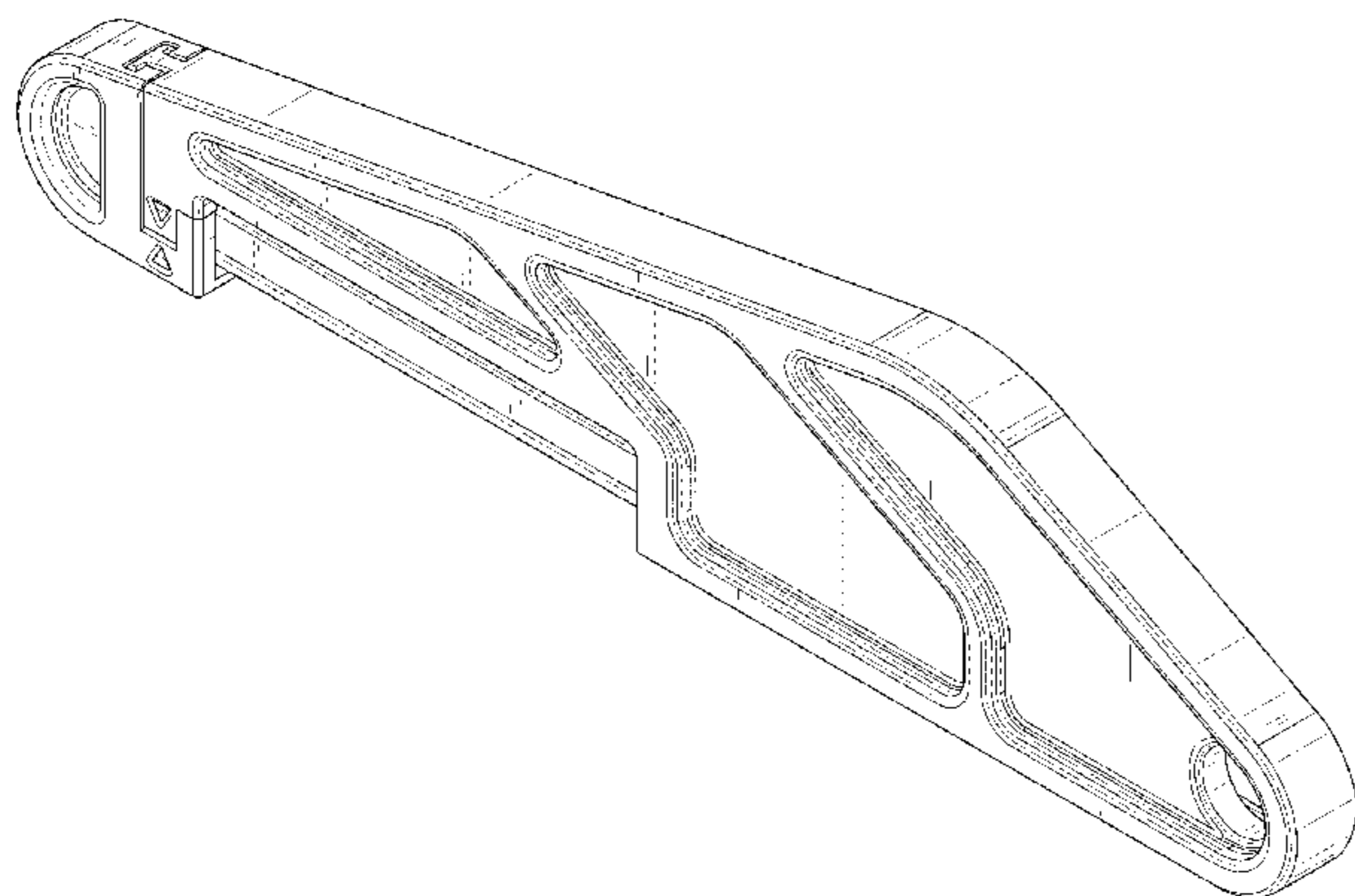
(57) **CLAIM**

The ornamental design for a musical string instrument nut and bridge file, as shown and described.

DESCRIPTION

FIG. 1 is a perspective view of the musical string instrument nut and bridge file;
 FIG. 2 is a first side elevation view of the musical string instrument nut and bridge file shown in FIG. 1;
 FIG. 3 is a second side elevation view of the musical string instrument nut and bridge file shown in FIG. 1;
 FIG. 4 is a front elevation view of the the musical string instrument nut and bridge file shown in FIG. 1;
 FIG. 5 is a rear elevation view of the musical string instrument nut and bridge file shown in FIG. 1;
 FIG. 6 is a top plan view of the musical string instrument nut and bridge file shown in FIG. 1;
 FIG. 7 is a bottom plan view of the musical string instrument nut and bridge file shown in FIG. 1; and,
 FIG. 8 is a perspective view showing the musical string instrument nut and bridge file shown in FIG. 1 in use on a guitar nut.
 The broken lines in the drawings are for enviornmental purposes only and form no part of the claimed design.

1 Claim, 6 Drawing Sheets



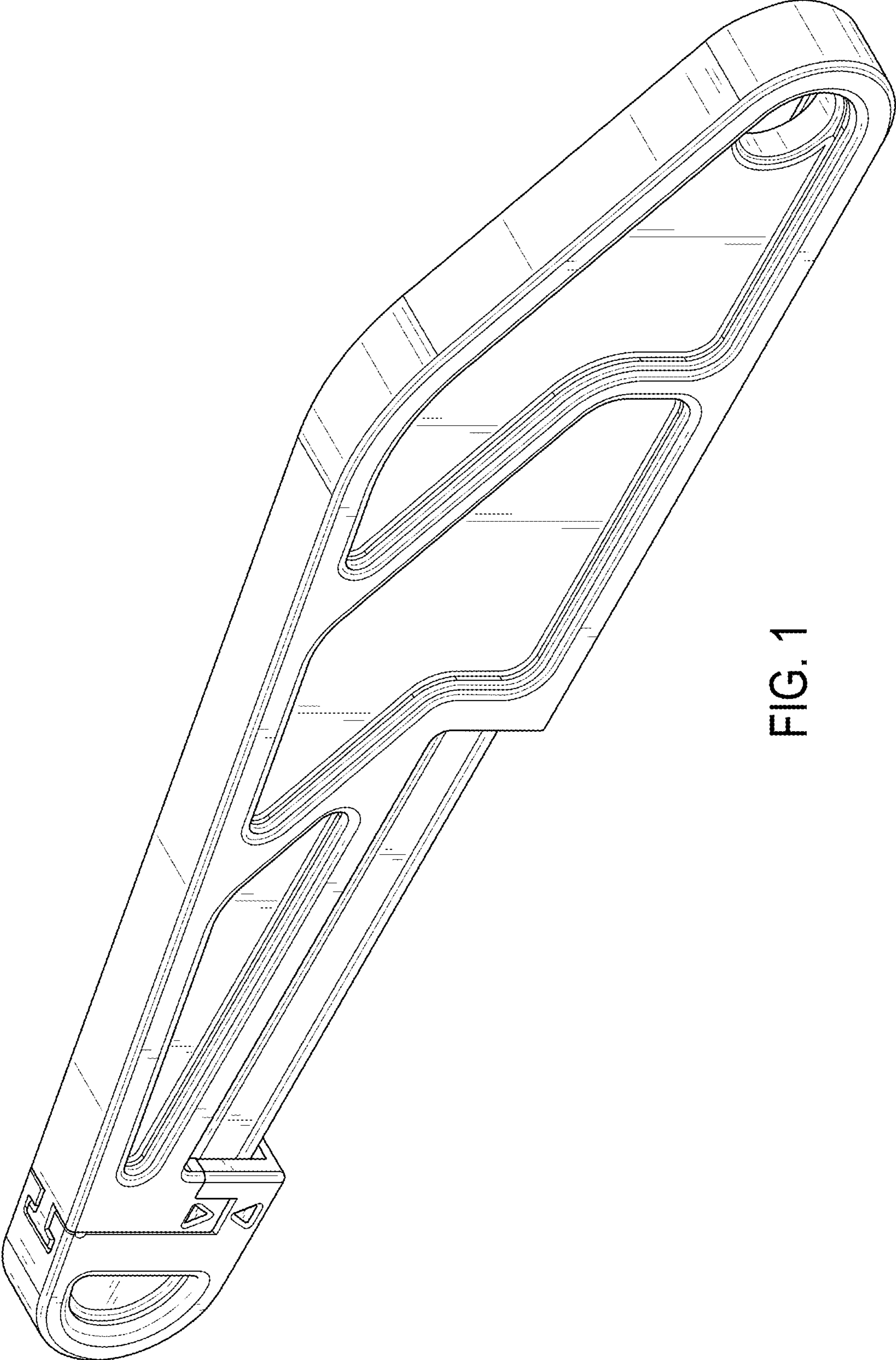


FIG. 1

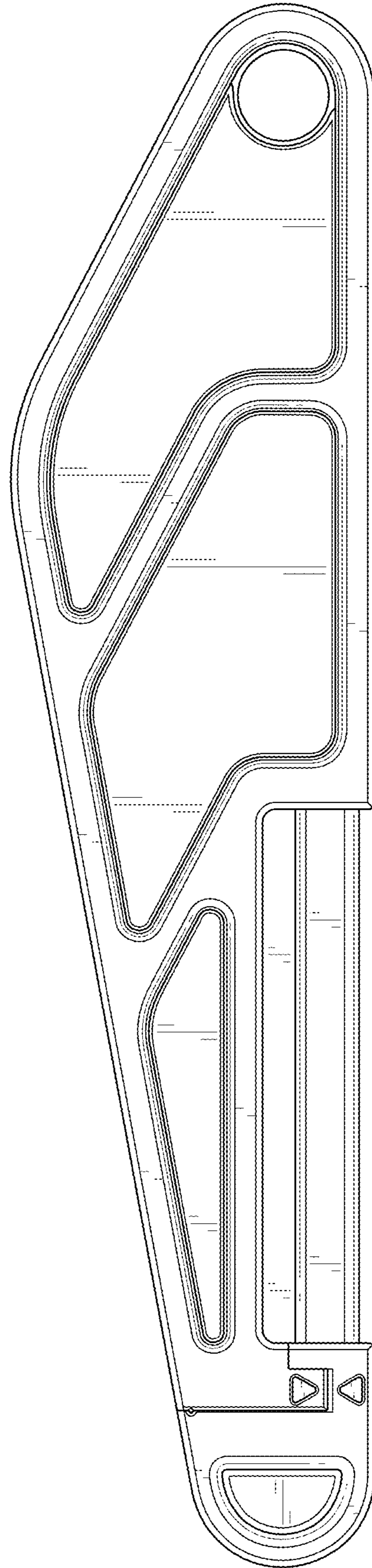


FIG. 2

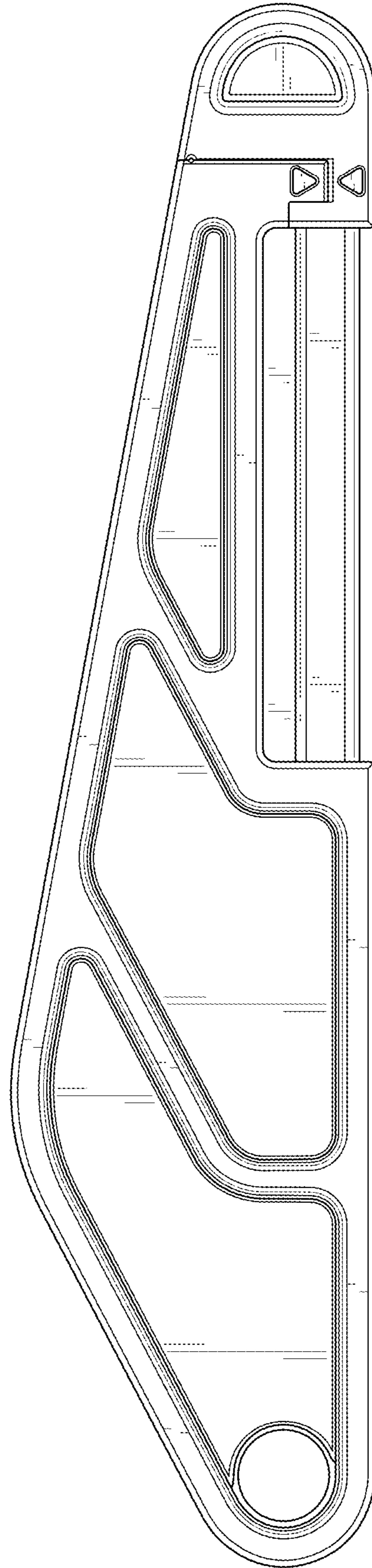


FIG. 3

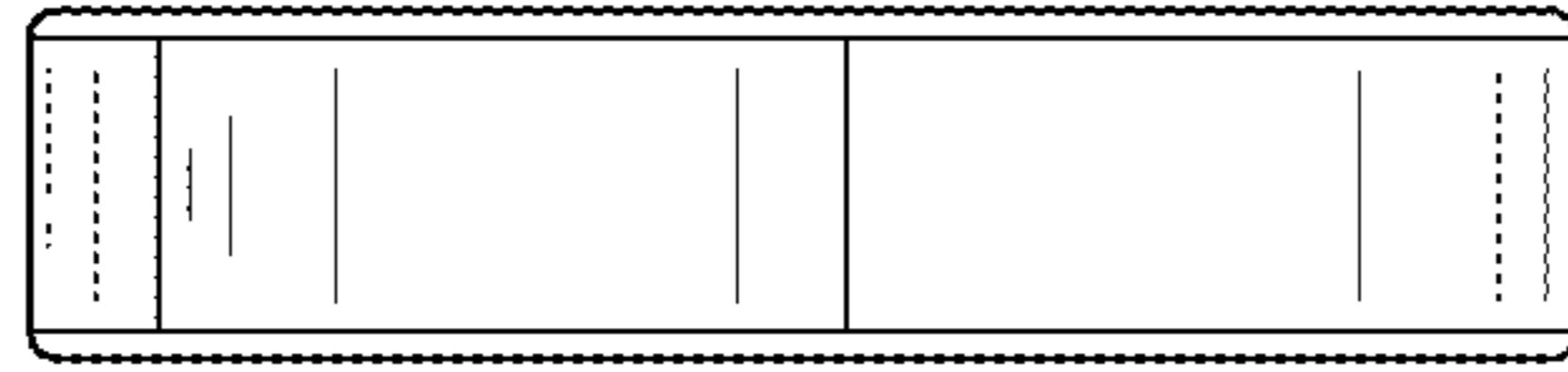


FIG. 5

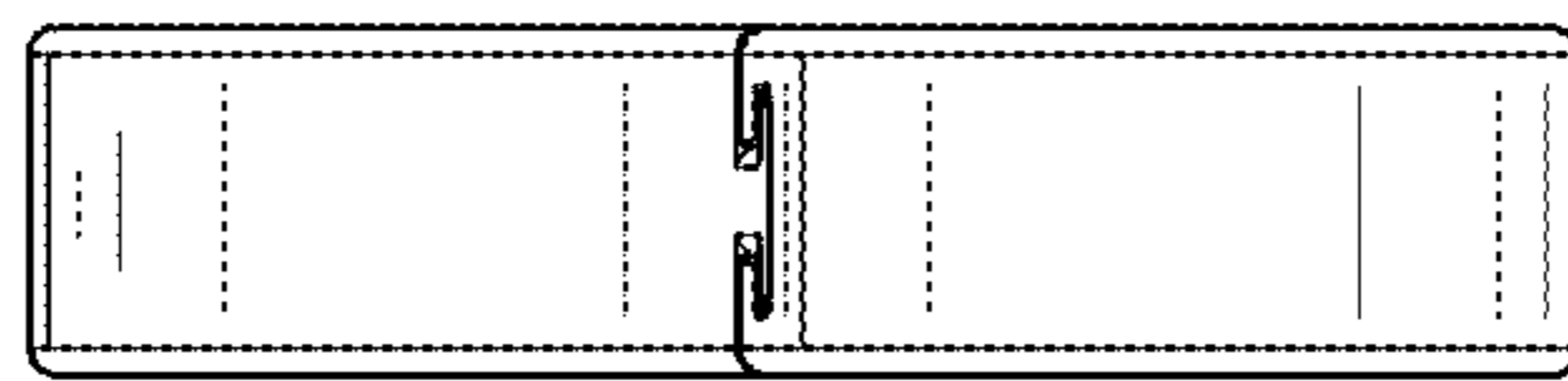


FIG. 4

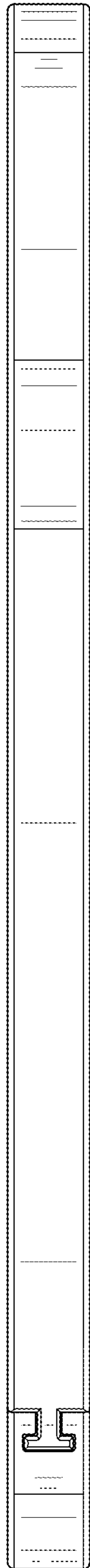


FIG. 6

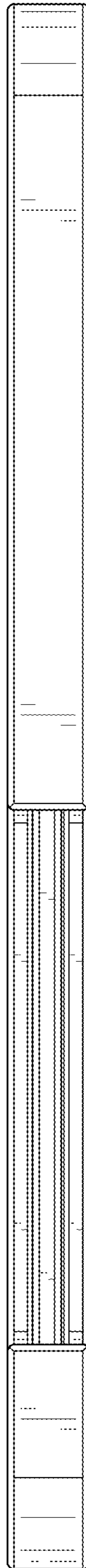


FIG. 7

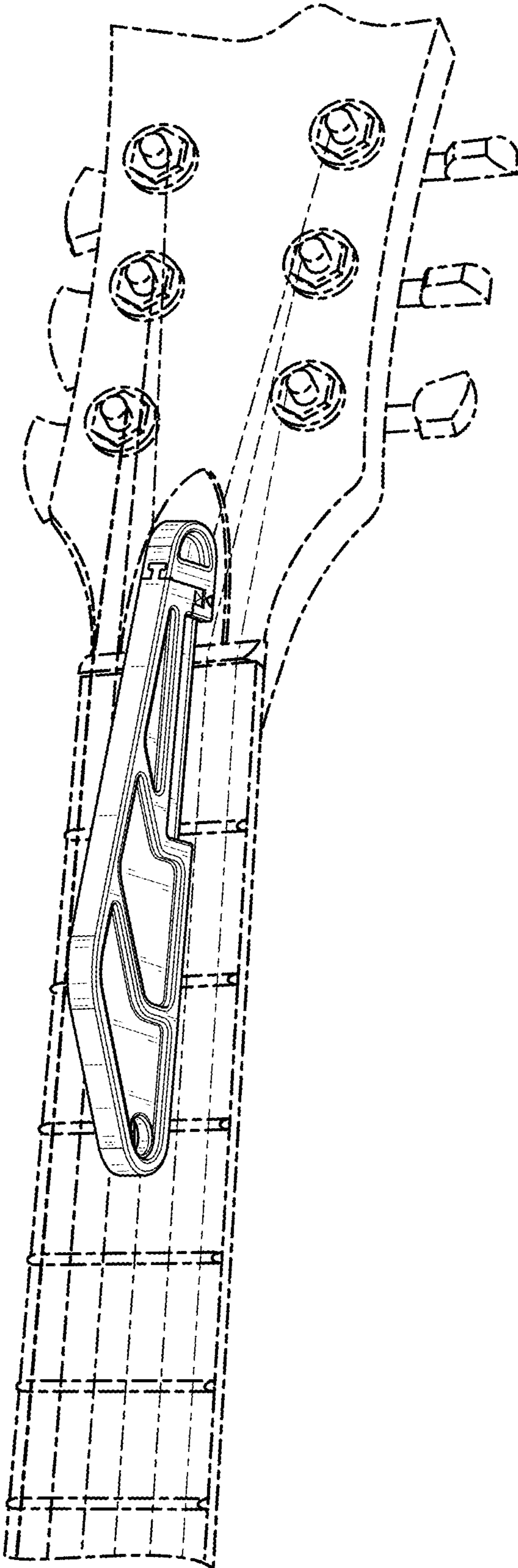


FIG. 8