



US00D957510S

(12) **United States Design Patent**
Lin

(10) **Patent No.:** **US D957,510 S**
(45) **Date of Patent:** **** Jul. 12, 2022**

(54) **TRIPOD**

(71) Applicant: **YUEQING YOUYOU**
E-COMMERCE CO., LTD., Yueqing
(CN)

(72) Inventor: **Dongdong Lin**, Yueqing (CN)

(73) Assignee: **YUEQING YOUYOU**
E-COMMERCE CO., LTD., Yueqing
(CN)

(**) Term: **15 Years**

(21) Appl. No.: **29/766,670**

(22) Filed: **Jan. 18, 2021**

(51) **LOC (13) Cl.** **16-05**

(52) **U.S. Cl.**
USPC **D16/244**

(58) **Field of Classification Search**
USPC D8/354, 355, 363, 373, 382, 383, 394;
D14/224; D16/219, 237-250
CPC F16M 11/14; F16M 11/16; F16M 11/242;
F16M 11/32; F16M 11/38; G03B 17/54;
G03B 17/561; G02B 7/00-002
See application file for complete search history.

(56) **References Cited**

U.S. PATENT DOCUMENTS

- D258,661 S * 3/1981 Shiraishi D16/244
- D263,147 S * 2/1982 Iwasaki D16/244
- D269,880 S * 7/1983 Iwasaki D16/244
- 4,697,772 A * 10/1987 Kosugi F16M 11/2064
264/293
- 5,288,044 A * 2/1994 Chen F16M 11/2014
248/183.1
- D616,913 S * 6/2010 Lee D16/245
- D807,421 S * 1/2018 Yin D16/244
- 10,139,039 B1 * 11/2018 Reed F16M 13/00

- 10,247,353 B1 * 4/2019 Chen G03B 17/561
- D888,814 S * 6/2020 Chen D16/244
- D907,105 S * 1/2021 Ye D16/244

(Continued)

OTHER PUBLICATIONS

Magnus VT-350 Video Tripod, Magnus, https://www.bhphotovideo.com/c/product/1034327-REG/magnus_vt_350_video_tripod_with_2_way.html, retrieved Apr. 26, 2022 (Year: 2022).*

Primary Examiner — Richard Kearney
Assistant Examiner — Benjamin M Weeks

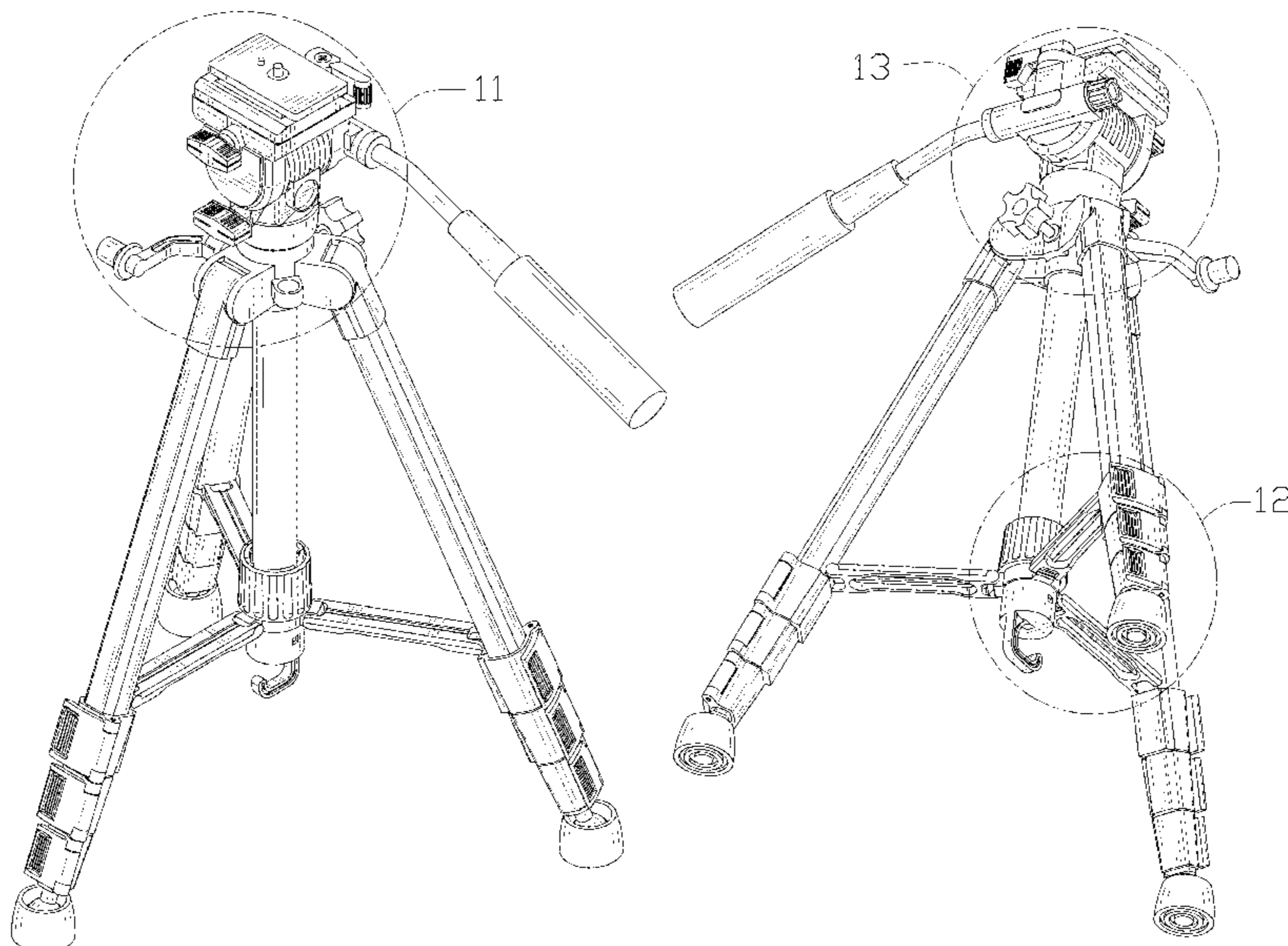
(57) **CLAIM**

The ornamental design for a tripod, as shown and described.

DESCRIPTION

FIG. 1 is a perspective view of a tripod showing my new design;
 FIG. 2 is another perspective view thereof;
 FIG. 3 is a front elevational view thereof;
 FIG. 4 is a rear elevational view thereof;
 FIG. 5 is a left side elevational view thereof;
 FIG. 6 is a right side elevational view thereof;
 FIG. 7 is a top plan view thereof;
 FIG. 8 is a bottom plan view thereof;
 FIG. 9 is a perspective view of the tripod where the tripod is in a first configuration of use;
 FIG. 10 is a perspective view of the tripod where the tripod is in a second configuration of use;
 FIG. 11 is an enlarged view of portion 11 shown in FIG. 1;
 FIG. 12 is an enlarged view of portion 12 shown in FIG. 2;
 and,
 FIG. 13 is an enlarged view of portion 13 shown in FIG. 2.
 The broken lines shown in the drawings depict portions of the tripod in which the design is embodied and form no part of the claimed design. The long dash-short dash broken lines depict areas of enlargement and form no part of the claimed design.

1 Claim, 13 Drawing Sheets



(56)

References Cited

U.S. PATENT DOCUMENTS

D942,529 S * 2/2022 Lin D16/244
D943,020 S * 2/2022 Lin D16/244
D947,930 S * 4/2022 Chen D16/244
2021/0311377 A1 * 10/2021 Salomon, Jr. G03B 17/566

* cited by examiner

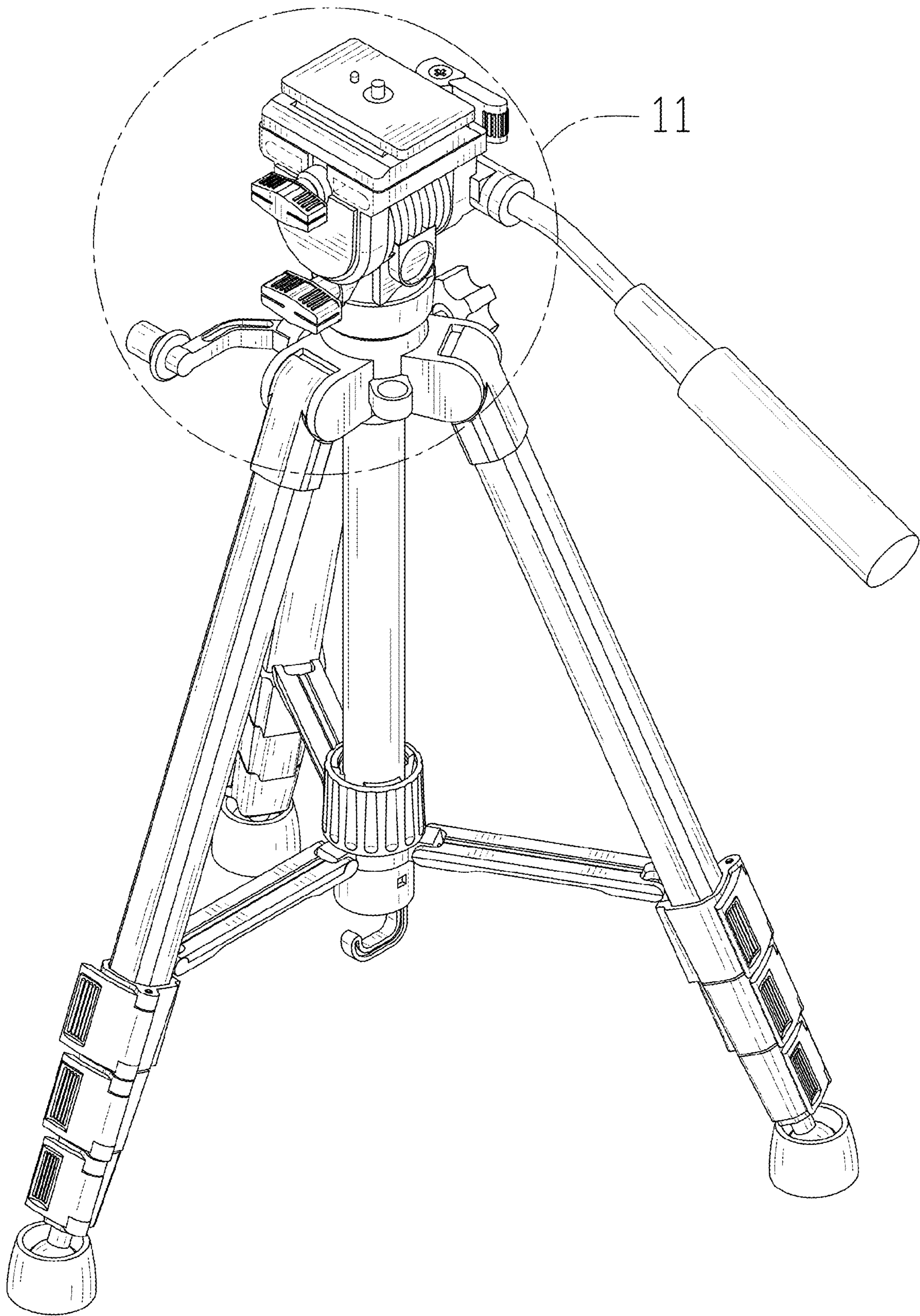


FIG. 1

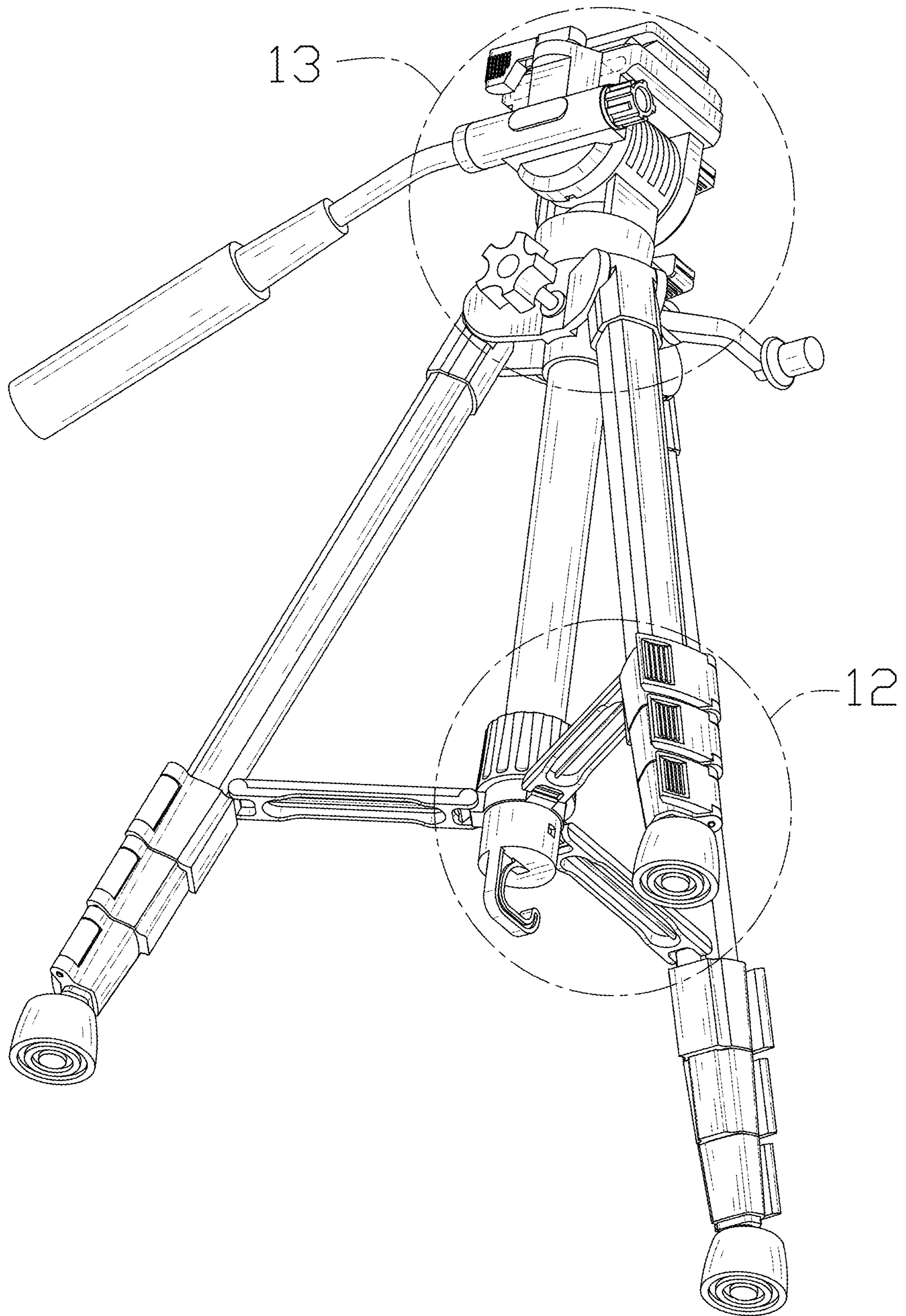


FIG. 2

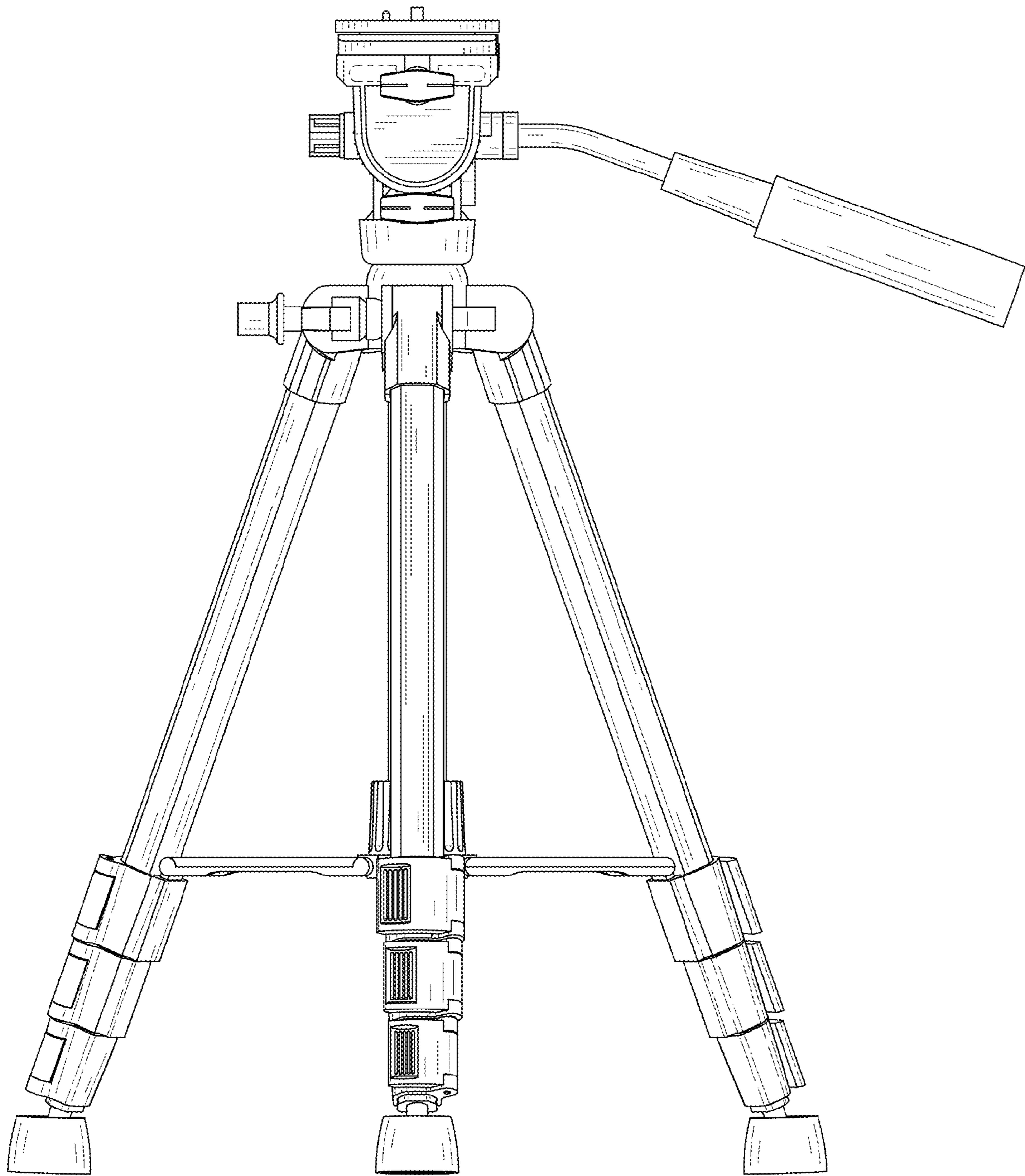


FIG. 3

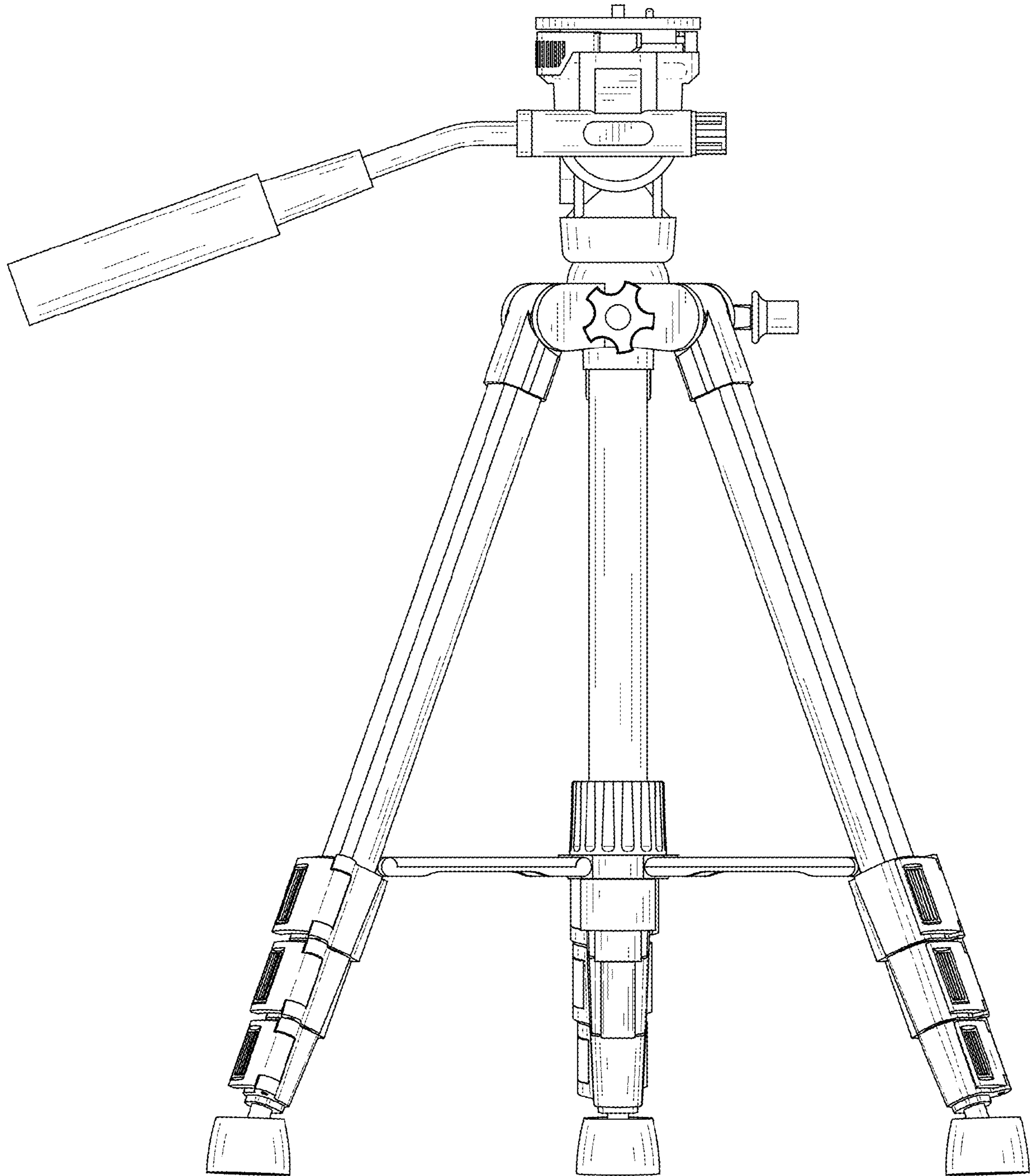


FIG. 4

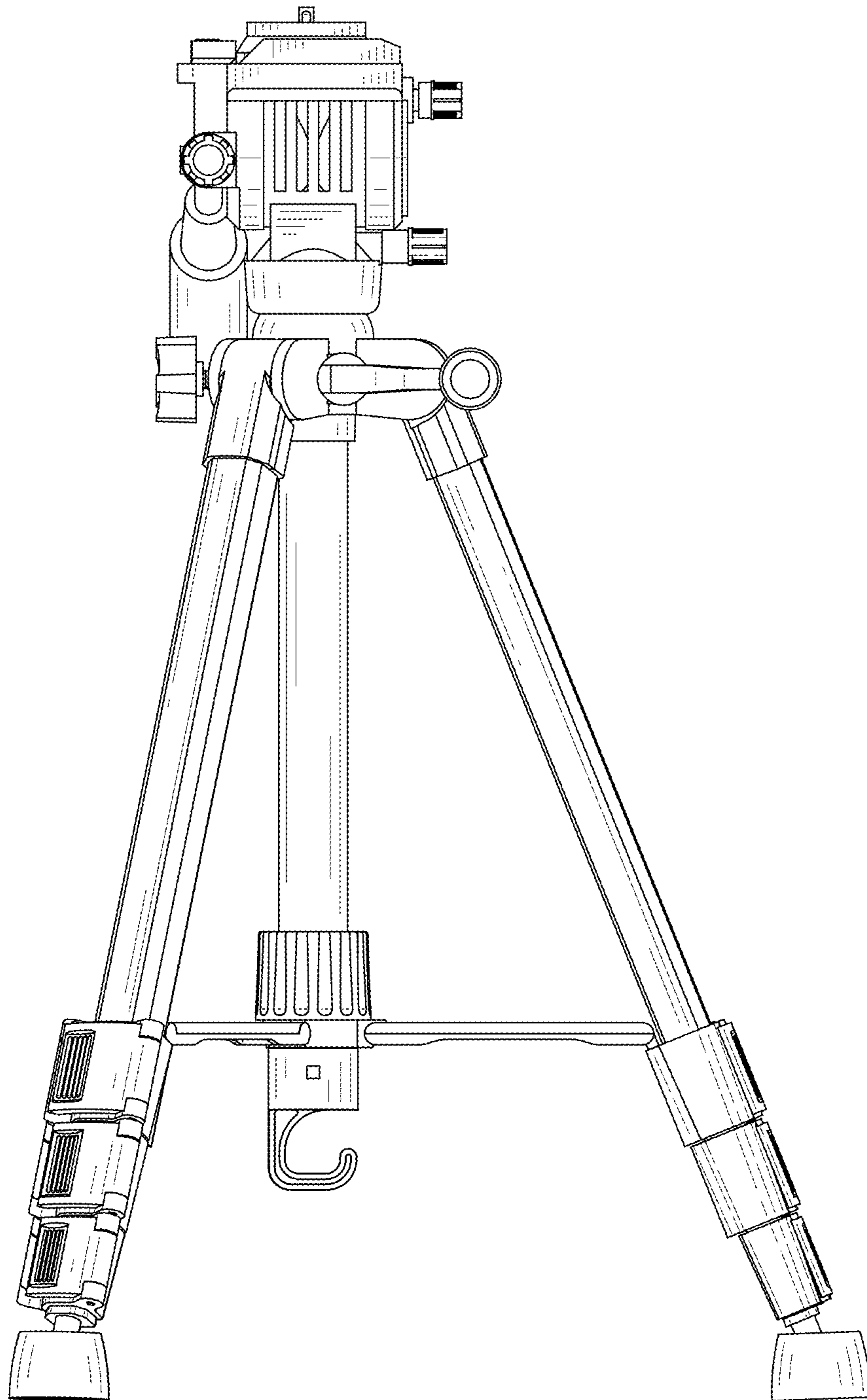


FIG. 5

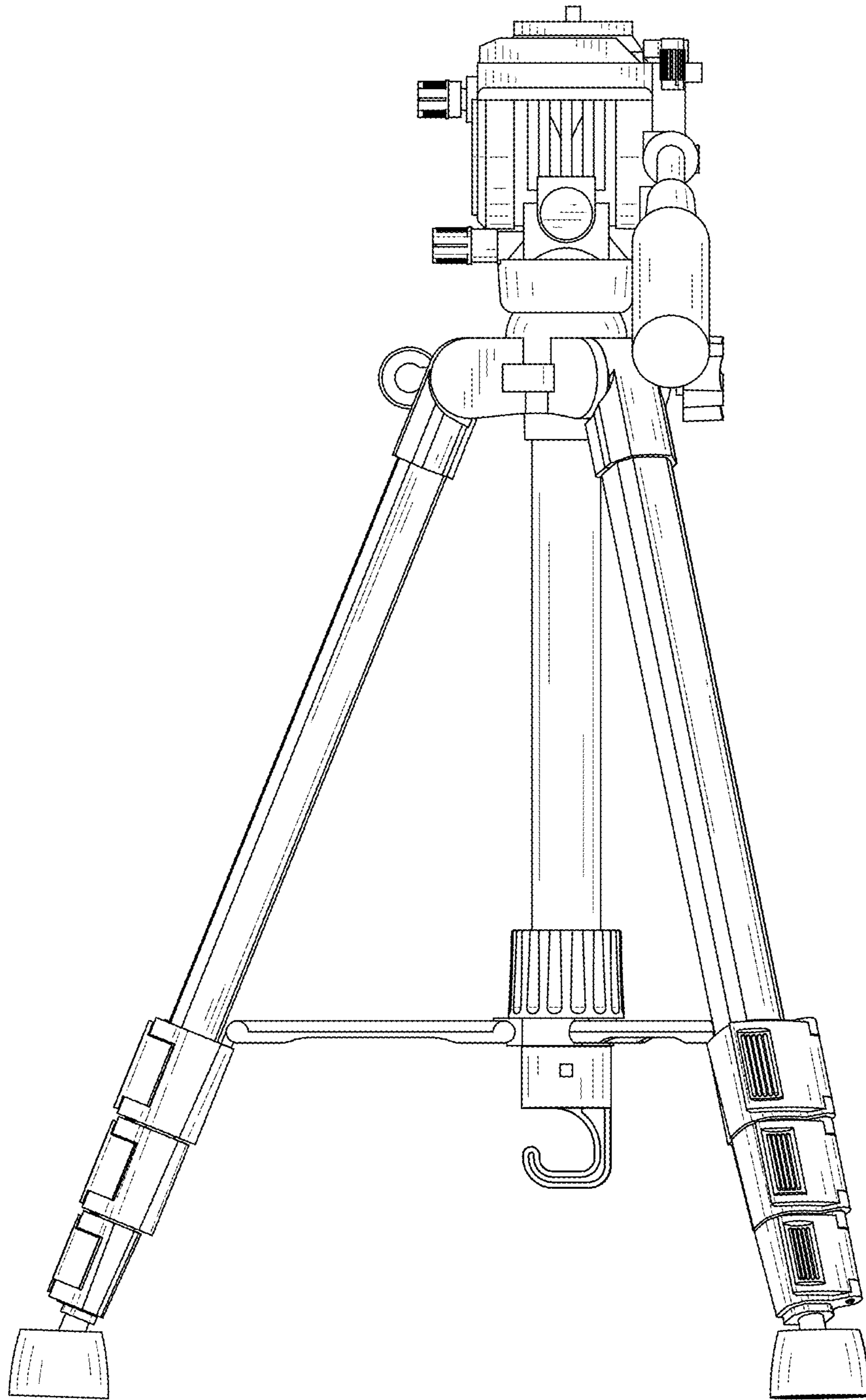


FIG. 6

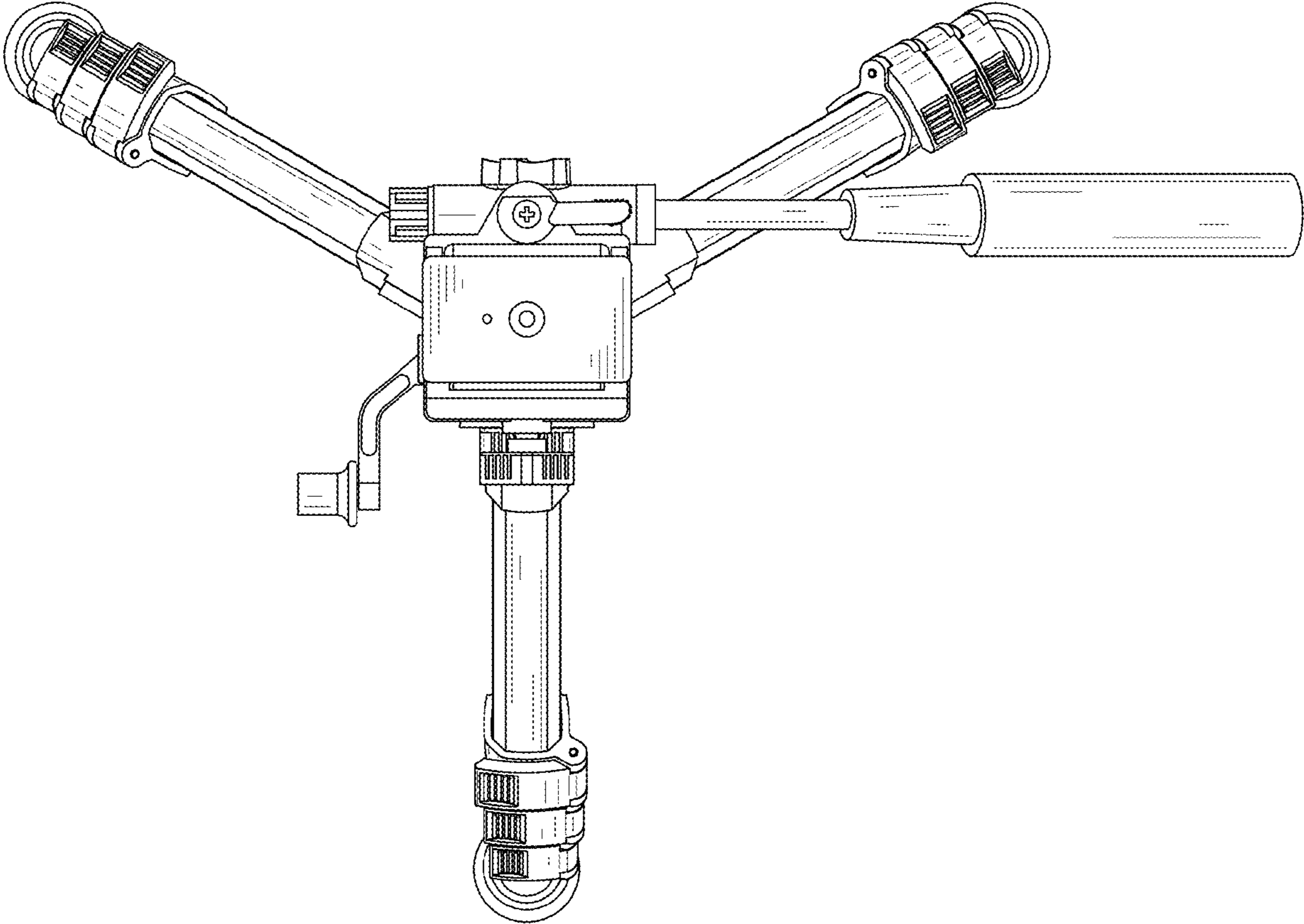


FIG. 7

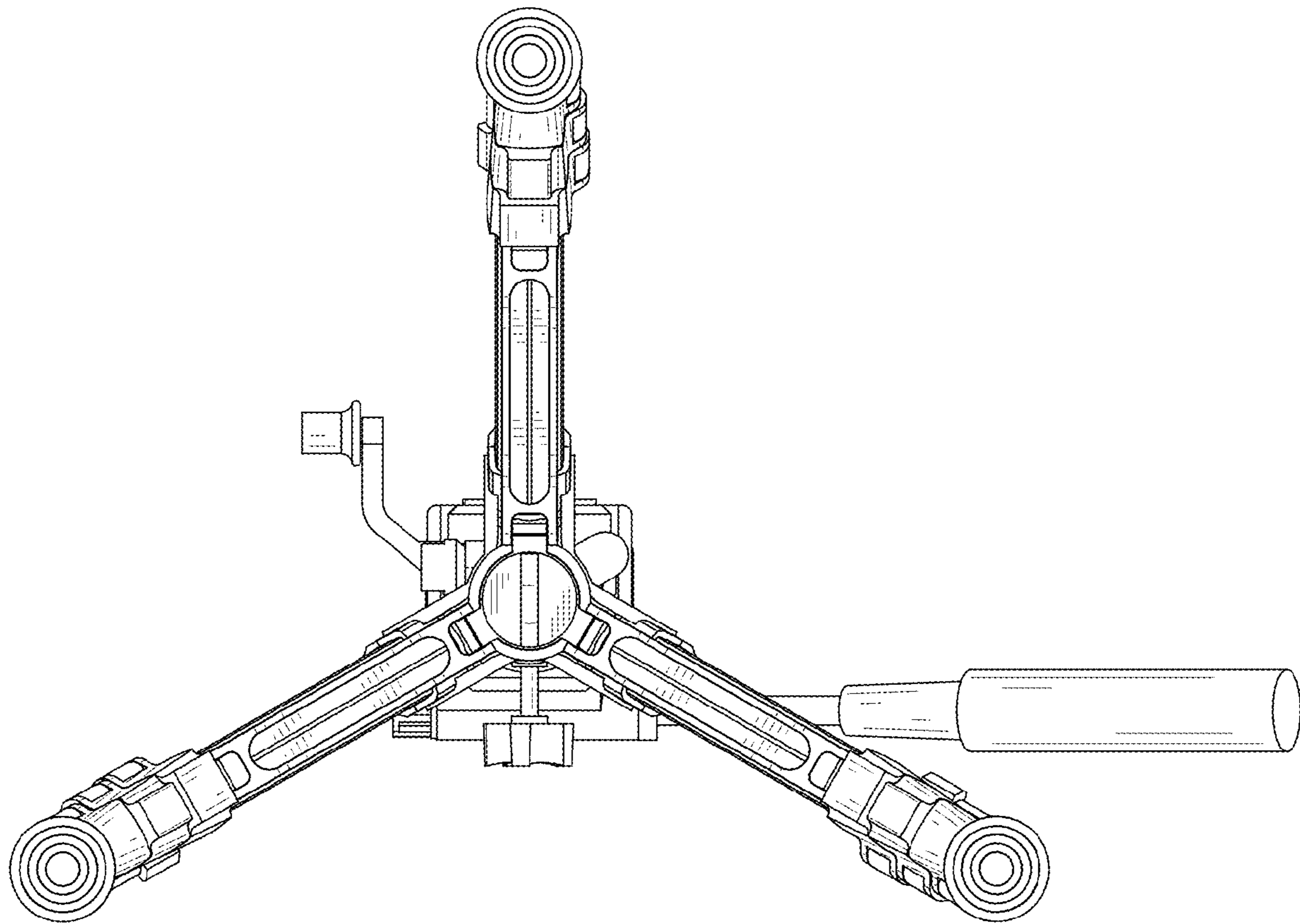


FIG. 8



FIG. 9

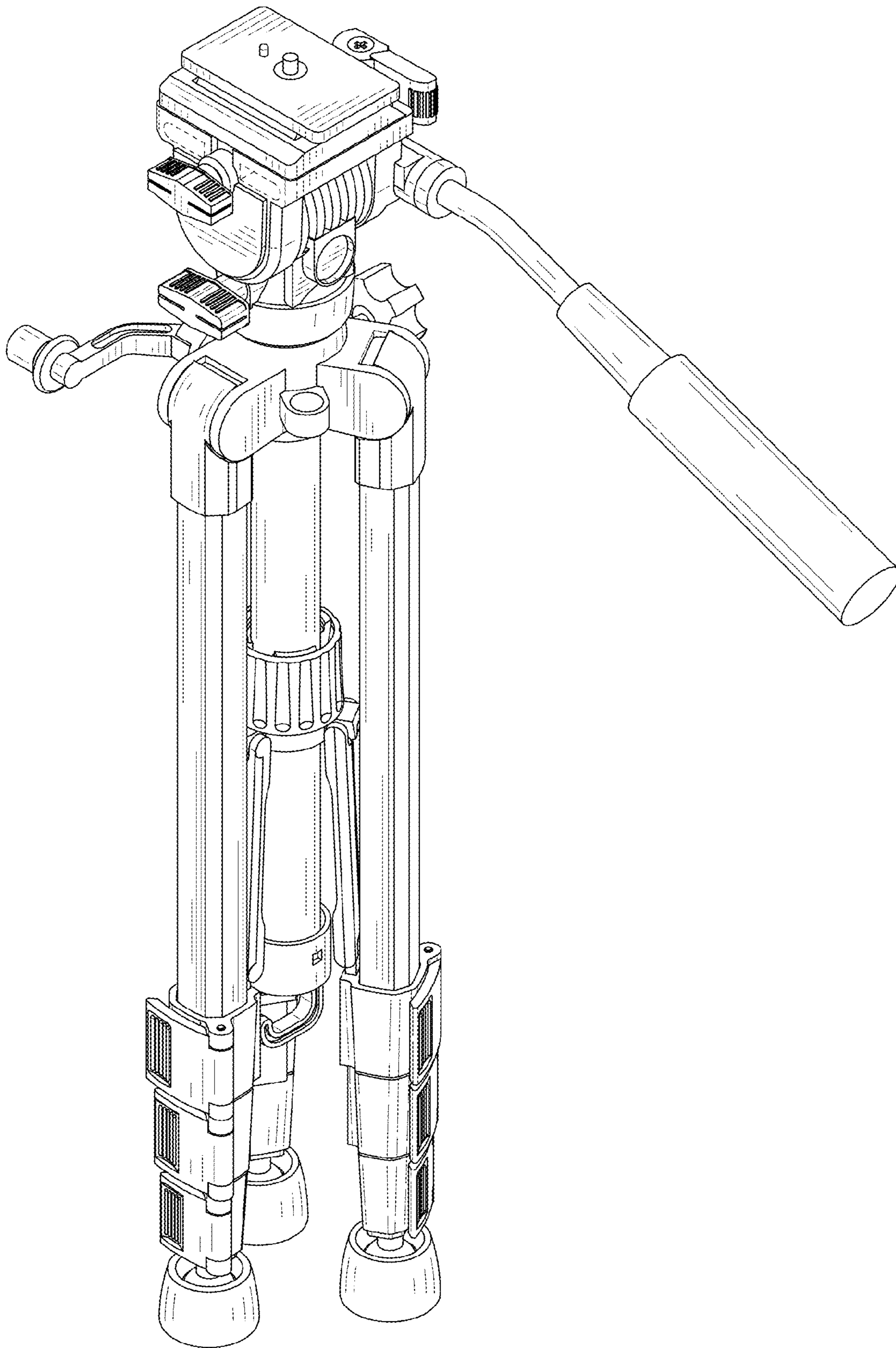


FIG. 10

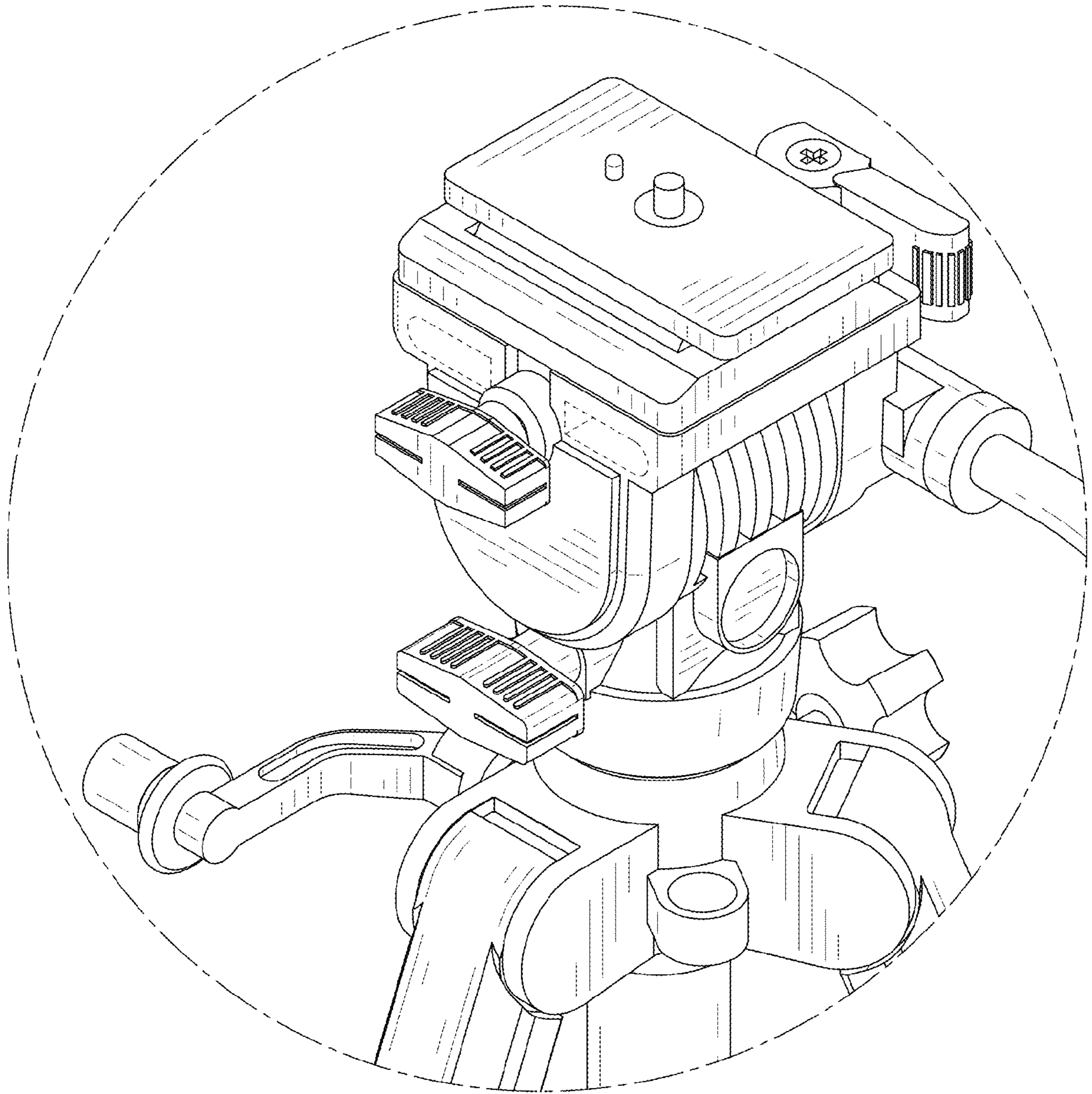


FIG. 11

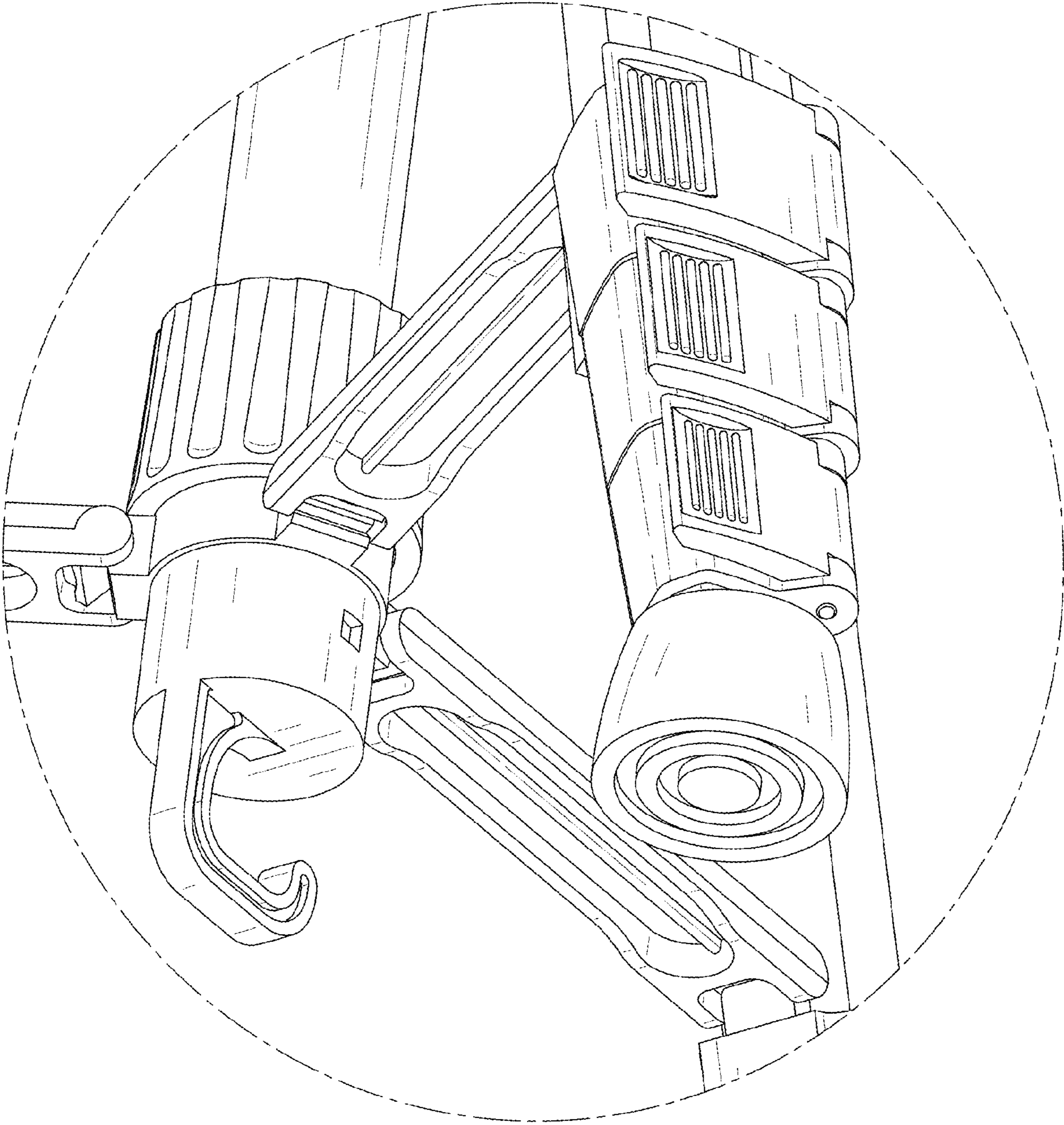


FIG. 12

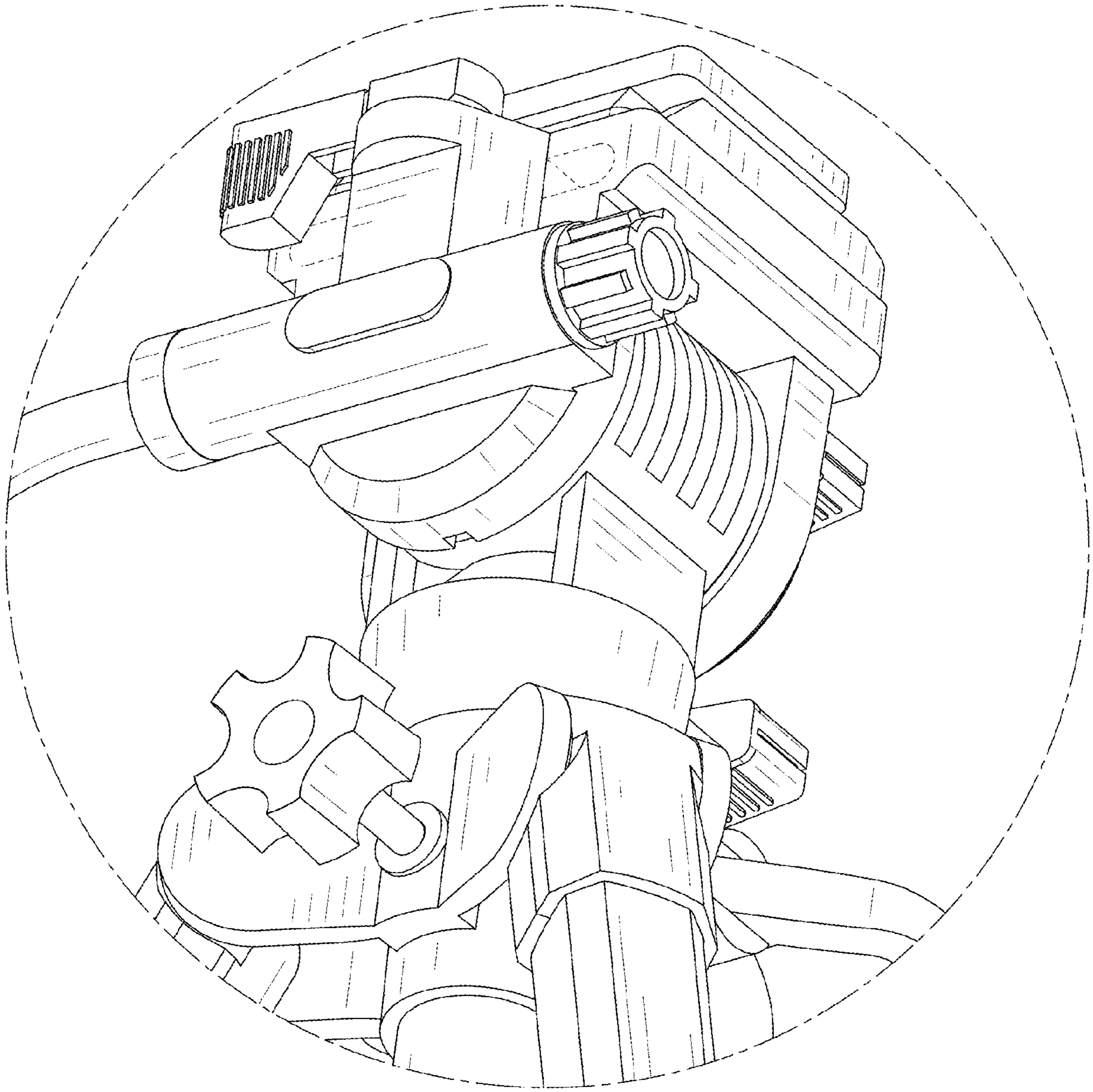


FIG. 13