



US00D957509S

(12) **United States Design Patent** (10) **Patent No.:** **US D957,509 S**  
**Zeng** (45) **Date of Patent:** **\*\* Jul. 12, 2022**

(54) **PAN AND TILT HEAD**

(56) **References Cited**

(71) Applicant: **Shenzhen Qiming Innovation Technology Development Co., Ltd.,**  
Guangdong (CN)

U.S. PATENT DOCUMENTS

D542,279 S \* 5/2007 Chan ..... D14/216  
D545,860 S \* 7/2007 Miyazaki ..... D16/202

(72) Inventor: **Hualun Zeng,** Guangdong (CN)

(Continued)

(73) Assignee: **Shenzhen Qiming Innovation Technology Development Co., Ltd.,**  
Shenzhen (CN)

FOREIGN PATENT DOCUMENTS

CN 305337603 \* 9/2019  
CN 306217738 \* 12/2020

(\*\*) Term: **15 Years**

(Continued)

(21) Appl. No.: **29/763,900**

OTHER PUBLICATIONS

(22) Filed: **Dec. 25, 2020**

Auto Tracking Phone Holder, [site visited Nov. 22, 2021]:<URL:  
[https://www.amazon.com/360%C2%B0Rotation-Shooting-Cameraman-Hands-Free-Tracking/dp/B08GZCFZK4/ref=sr\\_1\\_6?keywords=Capture+Genie+360&qid=1638290935&sr=8-6](https://www.amazon.com/360%C2%B0Rotation-Shooting-Cameraman-Hands-Free-Tracking/dp/B08GZCFZK4/ref=sr_1_6?keywords=Capture+Genie+360&qid=1638290935&sr=8-6)> (Year: 2020).\*

(30) **Foreign Application Priority Data**

(Continued)

Apr. 26, 2020 (CN) ..... 202030177199.1

(51) **LOC (13) Cl.** ..... **16-05**

(52) **U.S. Cl.**  
USPC ..... **D16/242**

*Primary Examiner* — Sanjeev Paul

*Assistant Examiner* — Loryn Korrine Leblanc

(58) **Field of Classification Search**

(57) **CLAIM**

USPC .... D2/870, 878; D8/14, 300, 303, 306, 307,  
D8/321, 323, 324, 325, 349, 499;  
D13/183, 184, 107, 108, 109, 119, 120,  
D13/133, 134, 135, 139.4, 154, 156, 173;  
D14/313, 316, 317, 324, 341, 372, 375,  
D14/376, 377, 432, 203.3, 203.5, 482,  
D14/224, 217, 229; D16/214, 234, 235,  
D16/236, 242, 243, 244, 245, 250, 131,  
D16/132, 237, 136, 239, 240, 203.8, 194,  
D16/195; D21/333, 374, 385, 395, 455,  
D21/461, 514, 561, 804; D24/137  
CPC ..... G03B 17/02; G03B 19/04; G03B 17/56;  
G03B 17/04; G03B 15/03; H04N 5/2251;  
H04N 5/2252; H04N 5/2253; H04N  
5/2254; H04N 7/181; H04N 7/183; H04N  
7/18; G08B 13/1963; G08B 13/19619;  
G08B 13/19632

The ornamental design for a pan and tilt head, as shown and described.

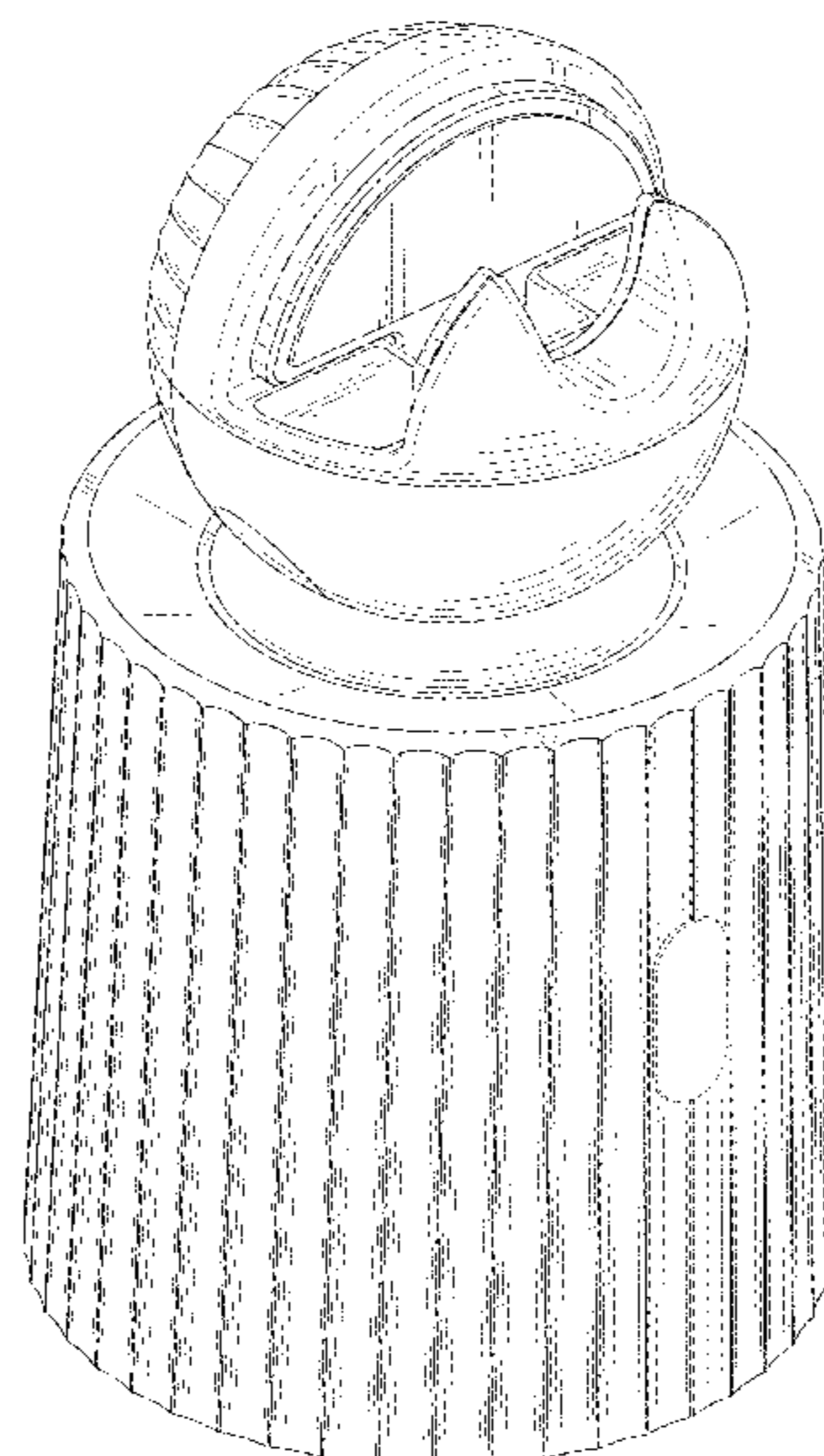
**DESCRIPTION**

FIG. 1 is a top, front and left side perspective view of a pan and tilt head showing my new design;  
FIG. 2 is a front elevational view thereof;  
FIG. 3 is a rear elevational view thereof;  
FIG. 4 is a left side view thereof;  
FIG. 5 is a right side view thereof;  
FIG. 6 is a top plan view thereof; and,  
FIG. 7 is a bottom plan view thereof.

The broken lines in the drawings illustrate portions of the pan and tilt head which form no part of the claimed design.

See application file for complete search history.

**1 Claim, 7 Drawing Sheets**



(56)

References Cited

U.S. PATENT DOCUMENTS

D553,123	S	*	10/2007	Solland	.....	D14/217
D610,601	S	*	2/2010	Melder	.....	D16/242
D723,460	S	*	3/2015	Gengler	.....	D13/108
D742,446	S	*	11/2015	Ikeda	.....	D16/202
D746,807	S	*	1/2016	McGarry	.....	D14/253
D761,343	S	*	7/2016	Schmidt	.....	D16/242
D788,035	S	*	5/2017	Bang	.....	D13/108
D816,030	S	*	4/2018	Sumida	.....	D13/108
D859,508	S	*	9/2019	Zhang	.....	D16/244
D888,138	S	*	6/2020	Rao	.....	D16/242
D889,402	S	*	7/2020	Lim	.....	D13/108
D896,169	S	*	9/2020	Toth	.....	D13/108

FOREIGN PATENT DOCUMENTS

CN	306242886	*	12/2020
CN	306289717	*	1/2021
CN	306315432	*	2/2021
CN	306383433	*	3/2021
CN	306840599	*	9/2021
CN	306862904	*	10/2021

OTHER PUBLICATIONS

Auto Tracking Phone Holder, [site visited Nov. 25, 2021]:<URL: [https://www.amazon.com/dp/B08PCN1X63/ref=sspa\\_dk\\_detail\\_4?](https://www.amazon.com/dp/B08PCN1X63/ref=sspa_dk_detail_4?pd_rd_w=TJqmQ&pf_rd_p=9fd3ea7c-b77c-42ac-b43b-c872d3f37c38&pd_rd_wg=Z%E2%80%A6)

[pd\\_rd\\_w=TJqmQ&pf\\_rd\\_p=9fd3ea7c-b77c-42ac-b43b-c872d3f37c38&pd\\_rd\\_wg=Z%E2%80%A6](https://www.amazon.com/dp/B08PCN1X63/ref=sspa_dk_detail_4?pd_rd_w=TJqmQ&pf_rd_p=9fd3ea7c-b77c-42ac-b43b-c872d3f37c38&pd_rd_wg=Z%E2%80%A6)> (Year: 2020).\*

Auto Tracking Phone Holder, [site visited Nov. 30, 2021]:<URL: [https://www.amazon.com/Portable-Rotation-Broadcast-Streaming-Intelligent/dp/B08LBBSM3R/ref=sr\\_1\\_42?crd=32WSYUJVF4N9J&keywords=auto%E2%80%A6](https://www.amazon.com/Portable-Rotation-Broadcast-Streaming-Intelligent/dp/B08LBBSM3R/ref=sr_1_42?crd=32WSYUJVF4N9J&keywords=auto%E2%80%A6)> (Year: 2020).\*

Auto Tracking Phone Holder, [site visited Nov. 30, 2021]:<URL: [https://www.amazon.com/Tracking-Shooting-Lithium-Battery-Streaming/dp/B08LB72DSL/ref=sr\\_1\\_84?crd=32WSYUJVF4N9J&keywords=auto-track%E2%80%A6](https://www.amazon.com/Tracking-Shooting-Lithium-Battery-Streaming/dp/B08LB72DSL/ref=sr_1_84?crd=32WSYUJVF4N9J&keywords=auto-track%E2%80%A6)> (Year: 2020).\*

Capture Genie 360, pictured review Jan. 31, 2021 [online], [site visited Nov. 30, 2021]:<URL: [https://www.amazon.com/Stabilizer-Rotation-Tracking-Hands-Free-Shooting/dp/B08P5QXPWQ/ref=sr\\_1\\_5?keywords=Capture%2BGenie%2B360&q%E2%80%A6](https://www.amazon.com/Stabilizer-Rotation-Tracking-Hands-Free-Shooting/dp/B08P5QXPWQ/ref=sr_1_5?keywords=Capture%2BGenie%2B360&q%E2%80%A6)> (Year: 2020).\*

Capture Genie 360, [site visited Nov. 30, 2021]:<URL: [https://www.amazon.com/Capture-Genie-Tracking-Shooting-Rotation/dp/B097TKPM9G/ref=sr\\_1\\_8?keywords=Capture+Genie+360&qid=1638290935%E2%80%A6](https://www.amazon.com/Capture-Genie-Tracking-Shooting-Rotation/dp/B097TKPM9G/ref=sr_1_8?keywords=Capture+Genie+360&qid=1638290935%E2%80%A6)> (Year: 2021).\*

Google search: “auto tracking phone holder” [site visited Nov. 30, 2021]:<URL: <https://www.google.com/search?q=auto+tracking+phone+holder&tbm=isch&ved=2ahUKEwiQpZeR9MD0AhU6qnEHRBOCUUQ2-cCegQIABAA&oq%E2%80%A6>> (Year: 2021).\*

YouTube search: “auto tracking phone holder” [site visited Nov. 30, 2021]:<URL: [https://www.youtube.com/results?search\\_query=2018+auto+tracking+phone+holder](https://www.youtube.com/results?search_query=2018+auto+tracking+phone+holder)> (Year: 2021).\*

\* cited by examiner

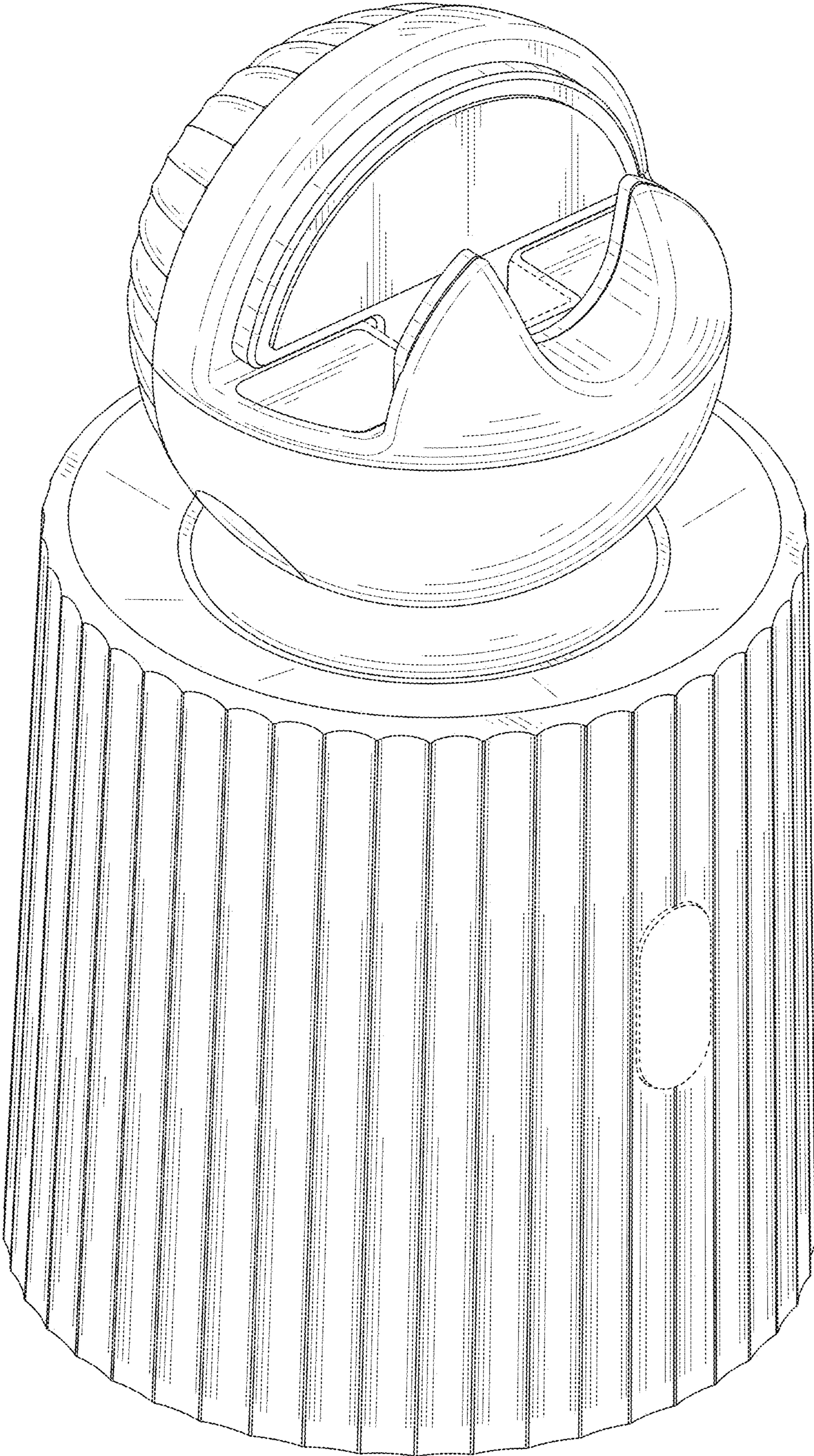


FIG. 1

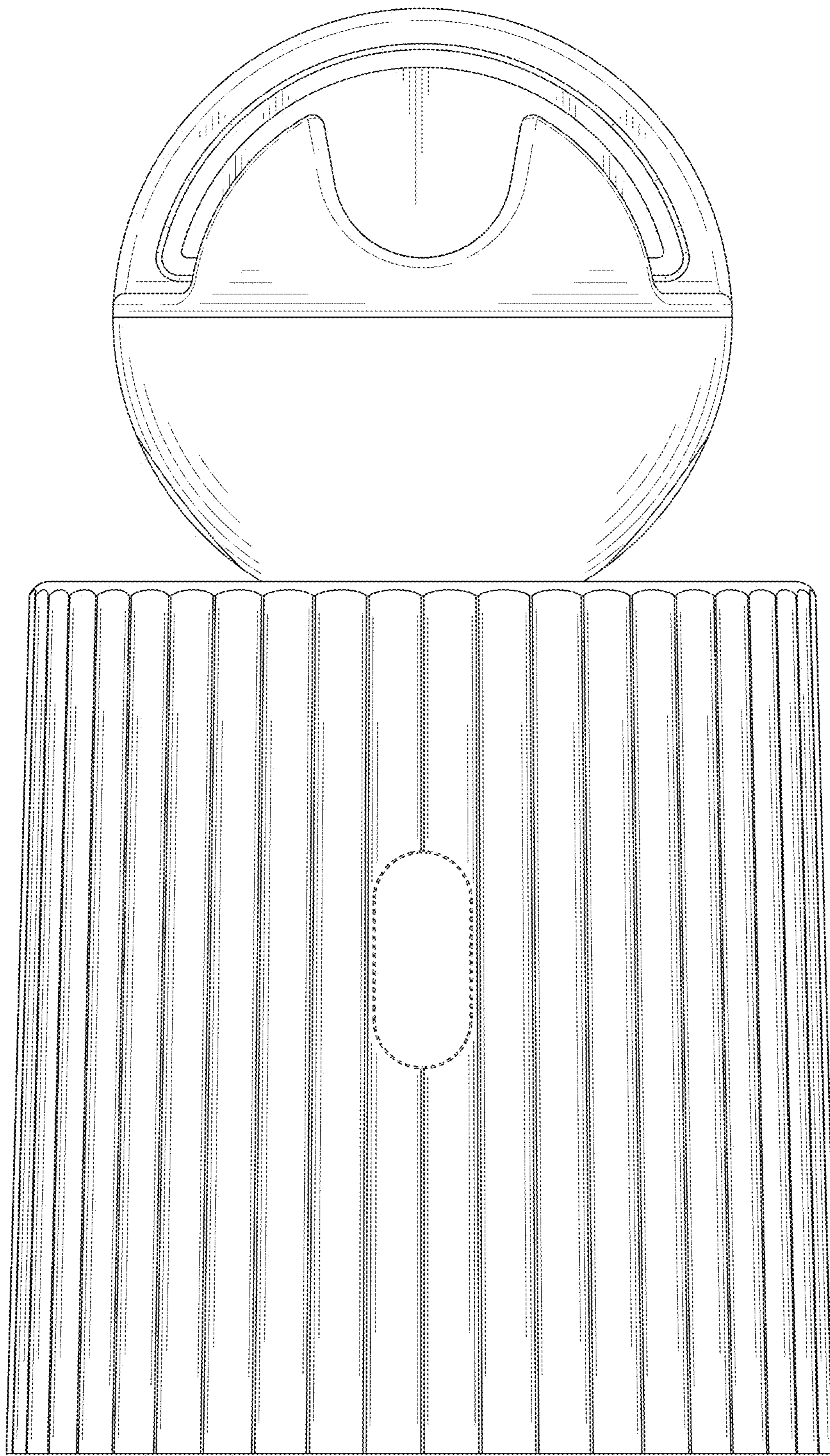


FIG. 2

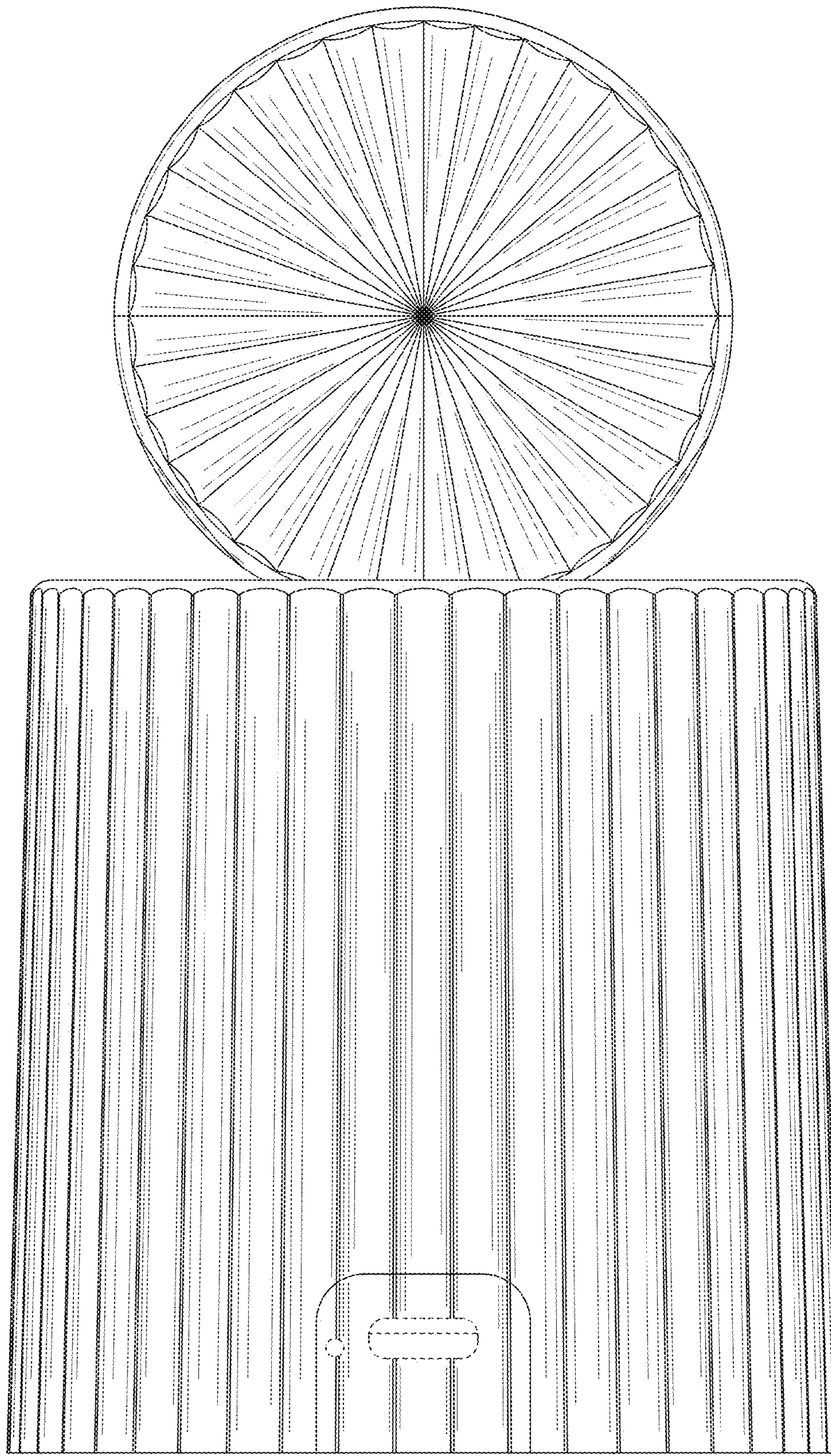


FIG. 3

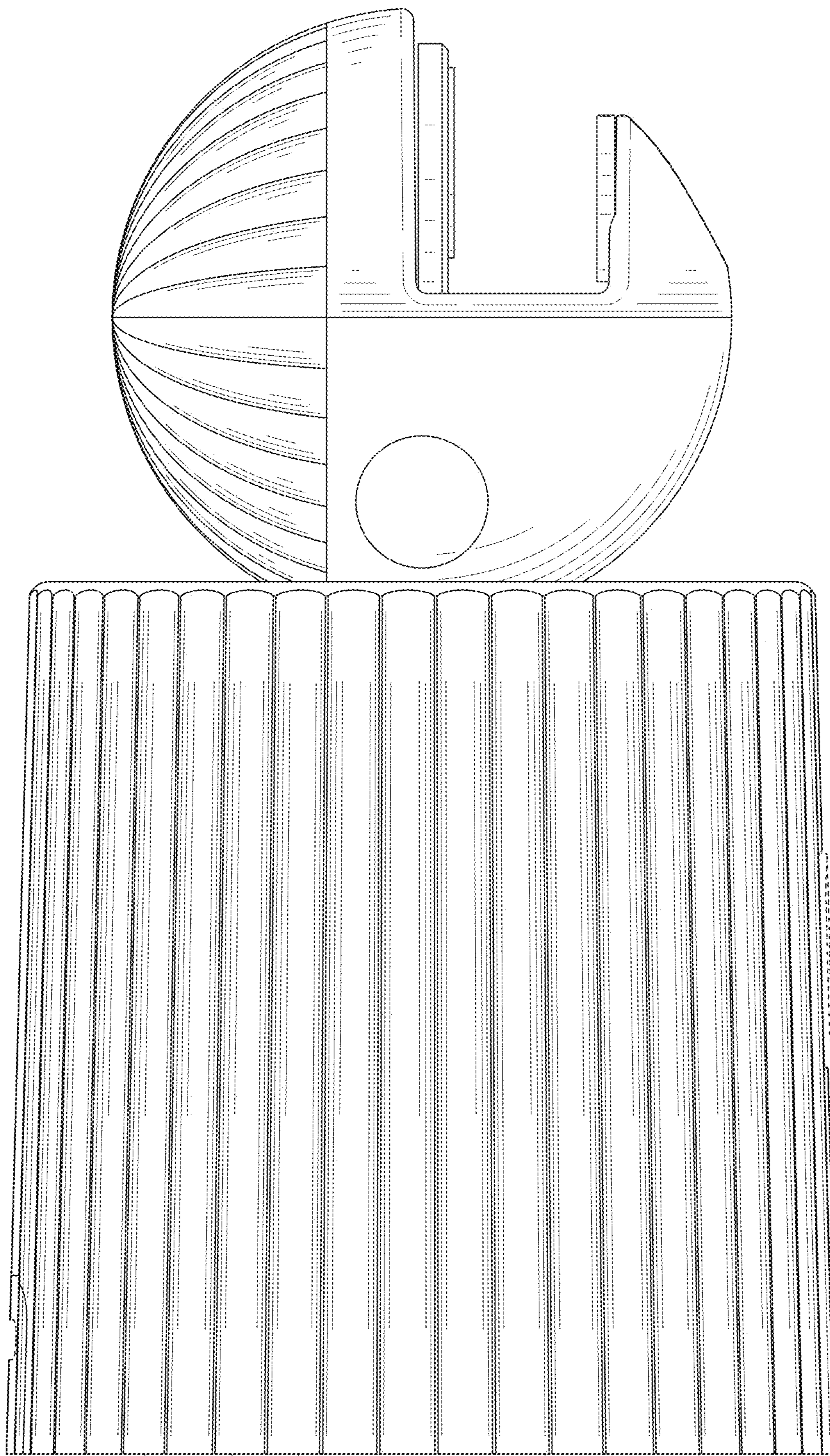


FIG. 4

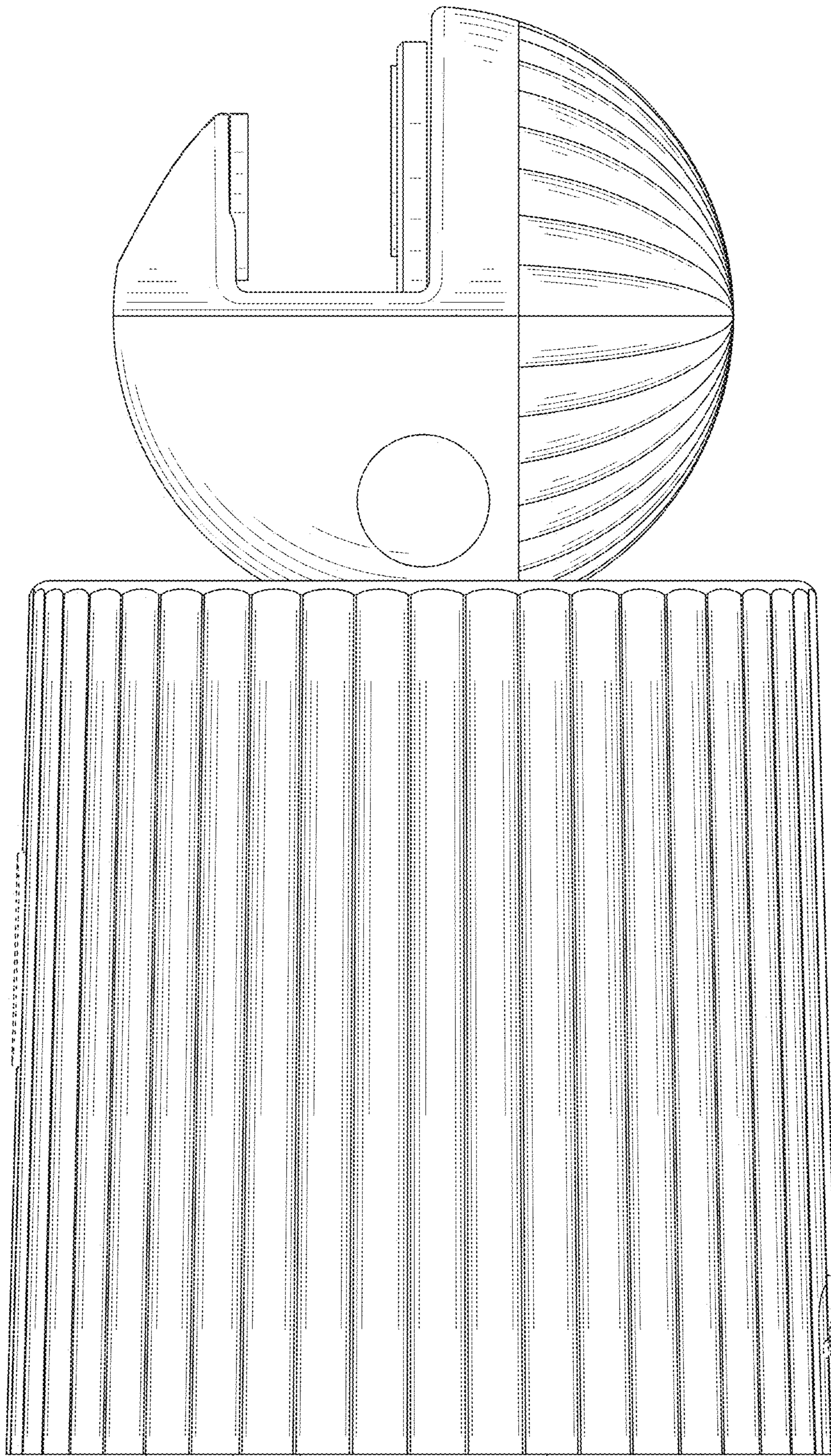


FIG. 5

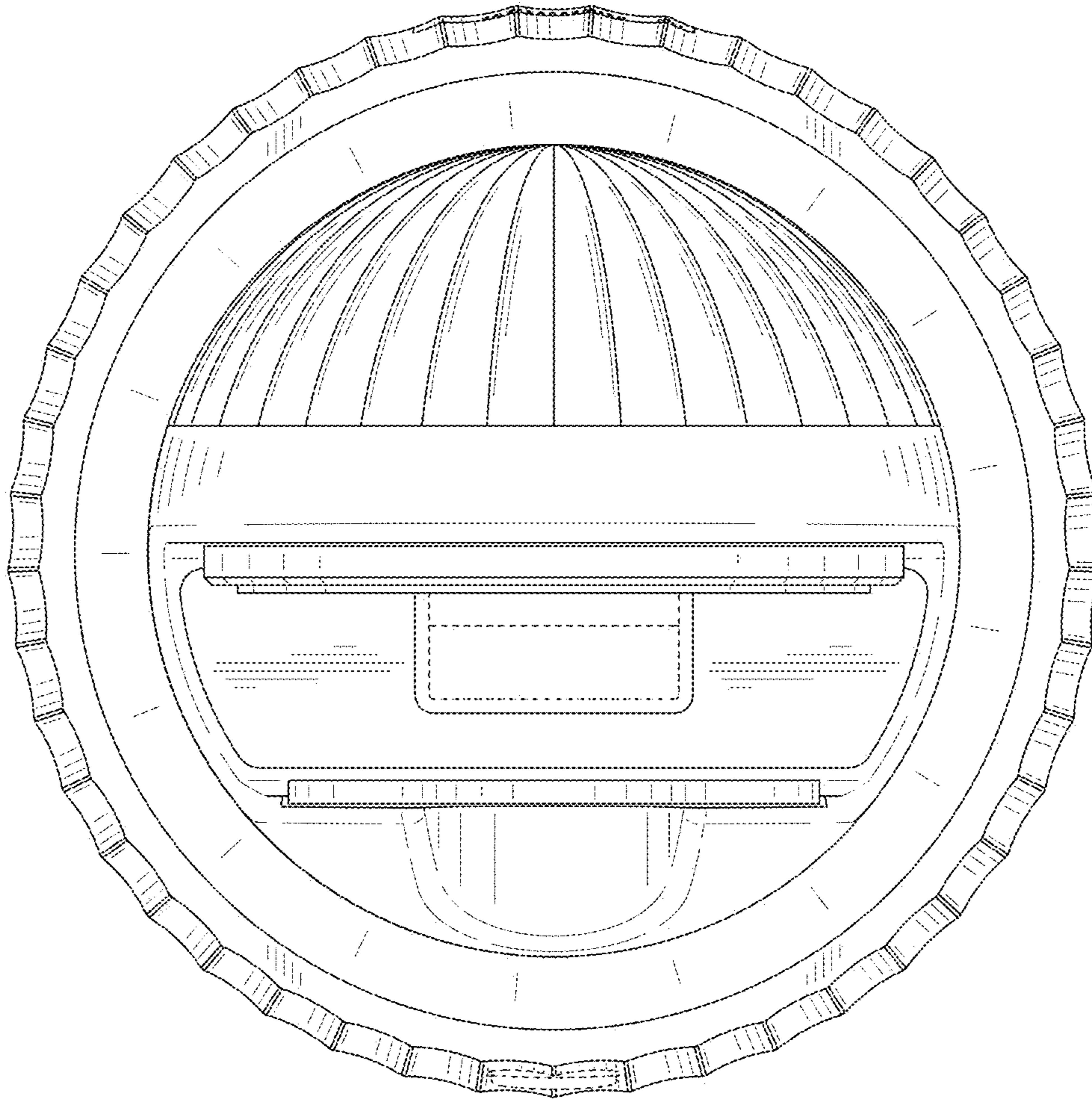


FIG. 6



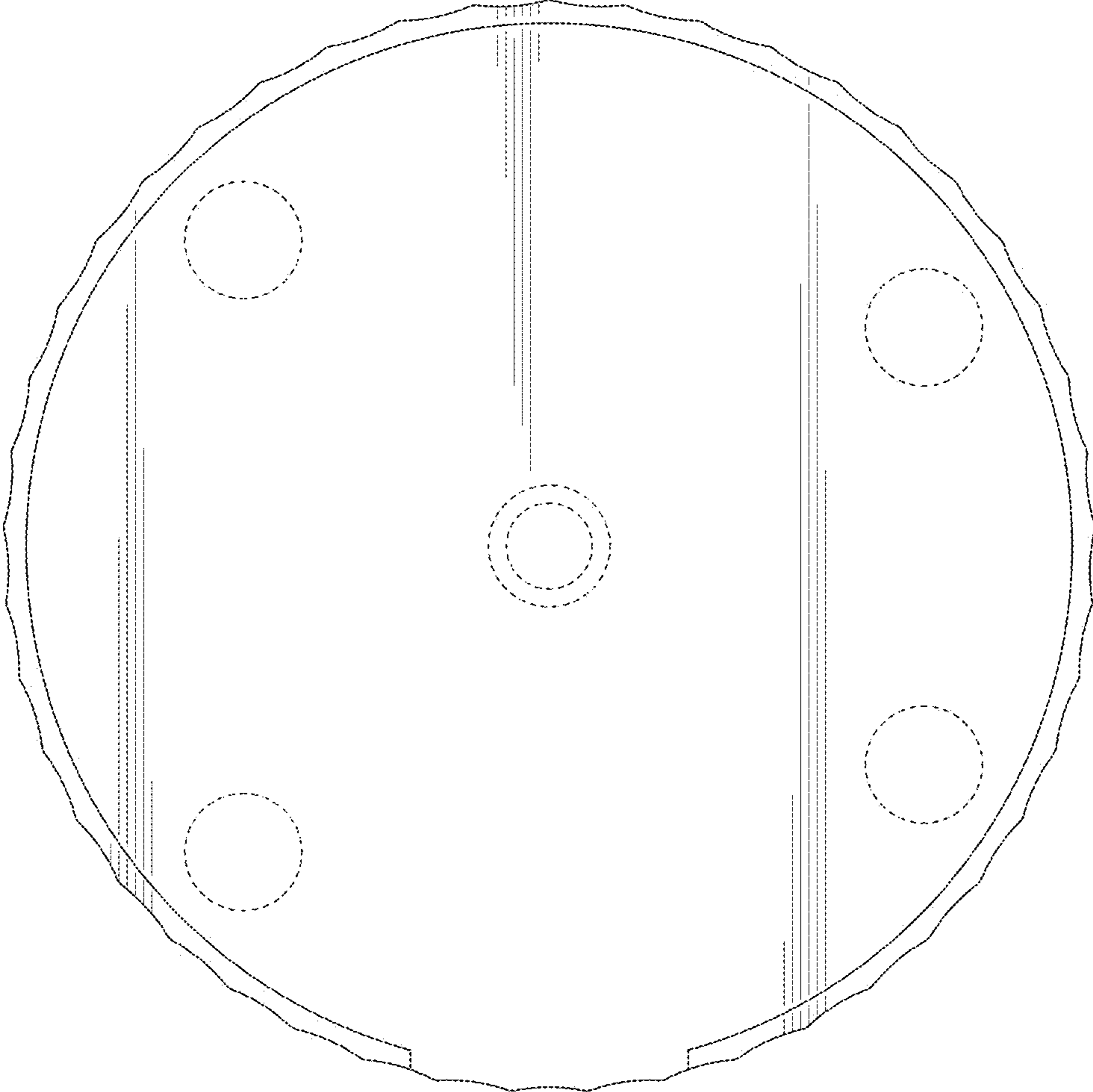


FIG. 7