



US00D957508S

(12) **United States Design Patent**
Möller et al.

(10) **Patent No.:** **US D957,508 S**
(45) **Date of Patent:** **** Jul. 12, 2022**

(54) **QUICK RELEASE**

(71) Applicant: **ARNOLD & RICHTER CINE
TECHNIK GMBH & CO.
BETRIEBS KG, Munich (DE)**
(72) Inventors: **Andreas Möller, Munich (DE);
Johannes Huttner, Munich (DE);
Michael Jonischkeit, Munich (DE)**
(73) Assignee: **ARNOLD & RICHTER CINE
TECHNIK GMBH & CO.
BETRIEBS KG, Munich (DE)**

(**) Term: **15 Years**

(21) Appl. No.: **29/727,370**

(22) Filed: **Mar. 10, 2020**

(30) **Foreign Application Priority Data**

Sep. 10, 2019 (EM) 006852893

(51) **LOC (13) Cl.** **16-01**

(52) **U.S. Cl.**
USPC **D16/242**

(58) **Field of Classification Search**
USPC D16/219, 237-250; D14/224, 229, 238,
D14/251, 253, 447, 451, 457; D8/354,
D8/355, 363, 373, 382, 383, 394, 395,
D8/396
CPC F16M 11/06-10; A45F 5/00; A45F 5/10;
A45F 2200/0508-0533
See application file for complete search history.

(56) **References Cited**

U.S. PATENT DOCUMENTS

| | | | |
|--------------|---------|----------------|------------|
| D483,789 S * | 12/2003 | Dordick | D16/242 |
| D709,940 S * | 7/2014 | Raccah | D16/242 |
| D784,439 S * | 4/2017 | Minn | D16/242 |
| D798,305 S * | 9/2017 | Wengreen | D14/447 |
| D798,306 S * | 9/2017 | Wengreen | D14/447 |
| D849,122 S * | 5/2019 | Tajima | D16/237 |
| D851,161 S * | 6/2019 | DiCarlo | A42B 3/042 |
| | | | D16/242 |
| D852,871 S * | 7/2019 | Wilson | D16/242 |

* cited by examiner

Primary Examiner — Zenia I Bennett

(74) *Attorney, Agent, or Firm* — Maschoff Brennan

(57) **CLAIM**

We claim the ornamental design for a quick release, as shown and described.

DESCRIPTION

FIG. 1 is a upper front left-side perspective view of a quick release according to a first embodiment of the design; FIG. 2 is a left-side view thereof; FIG. 3 is a front view thereof; FIG. 4 is a bottom view thereof; FIG. 5 is a top view thereof; FIG. 6 is a right-side view thereof; FIG. 7 is a back view thereof; and, FIG. 8 is a lower back left-side perspective view thereof.

1 Claim, 3 Drawing Sheets

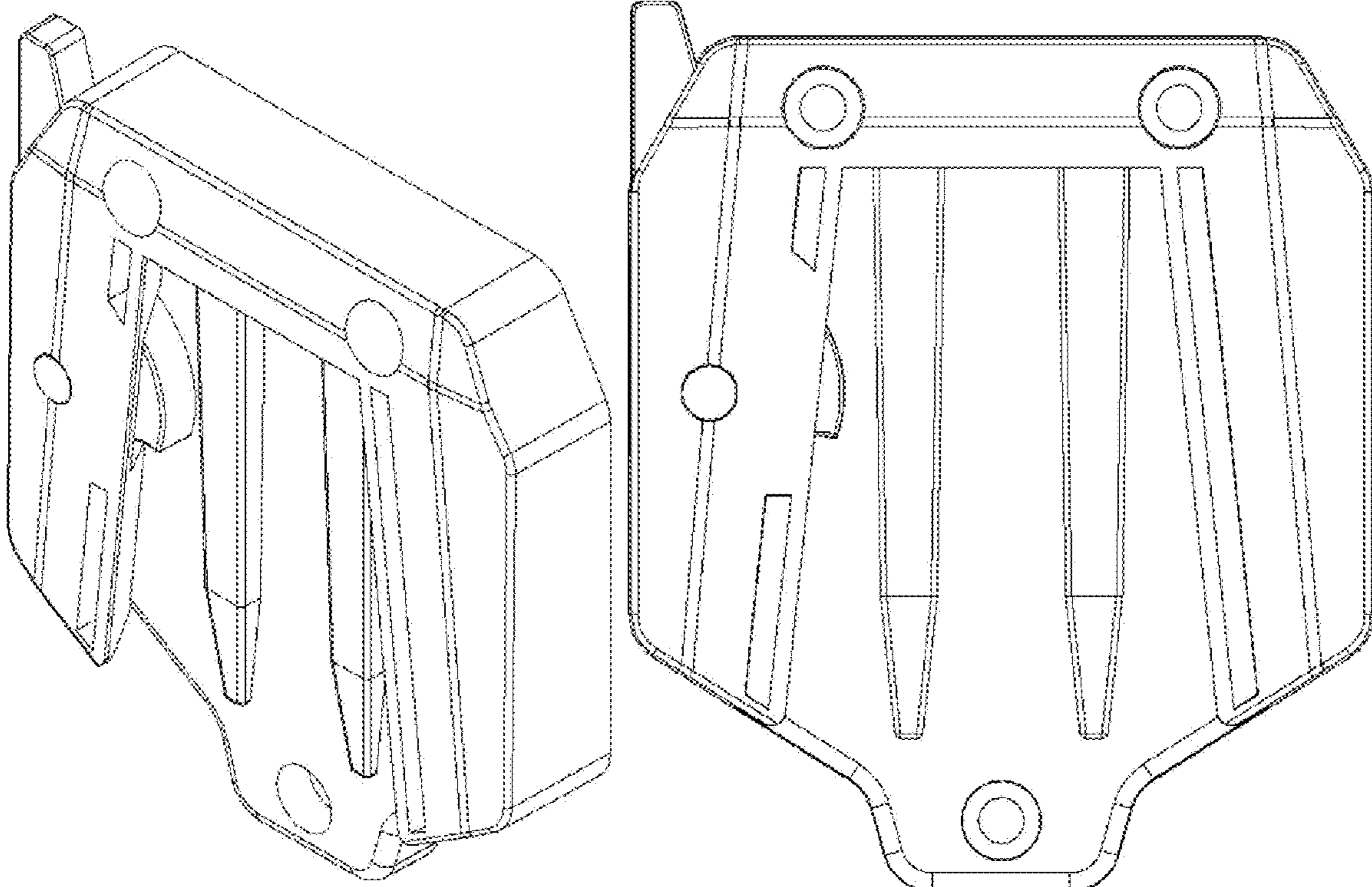


Fig. 1

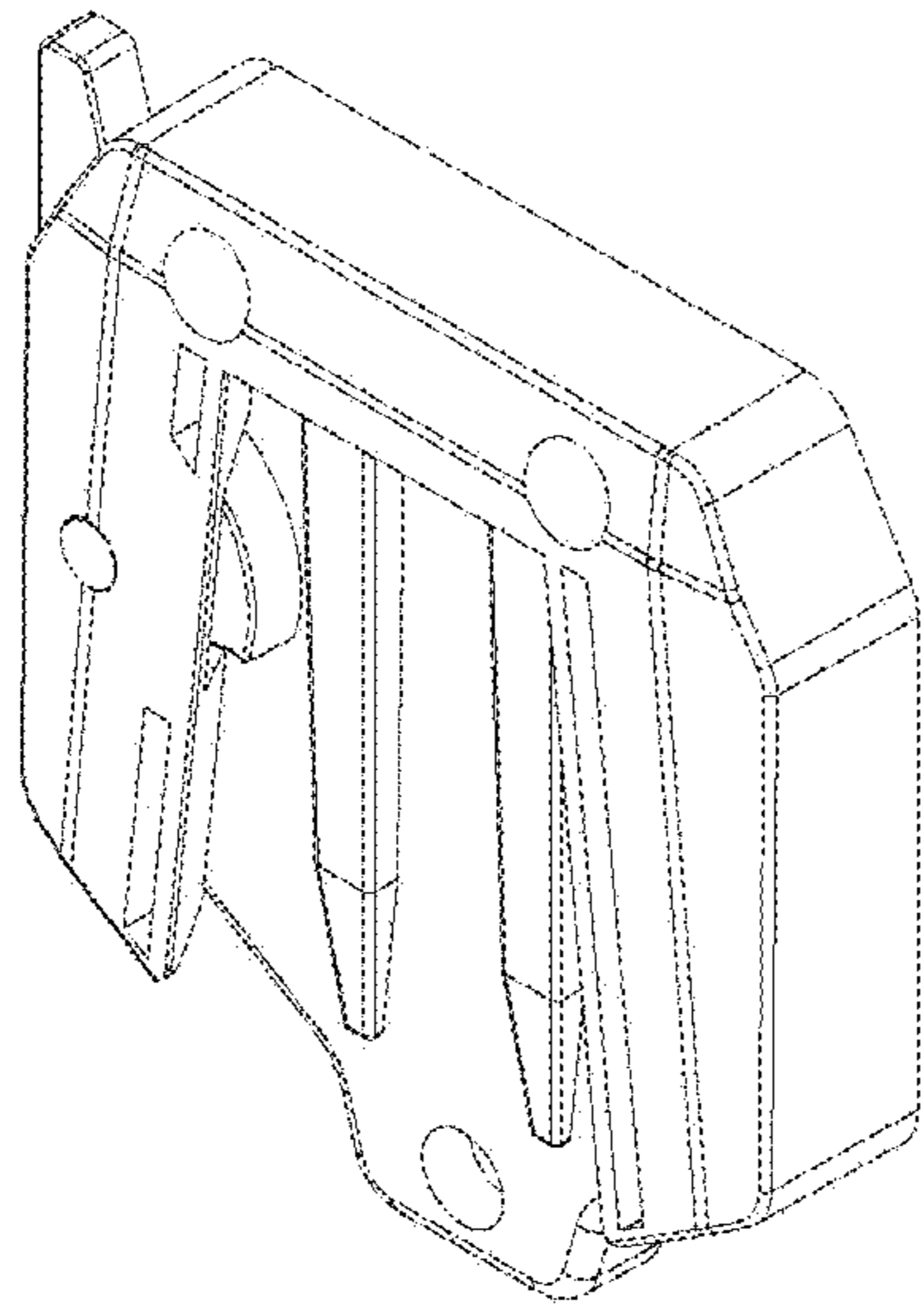


Fig. 2

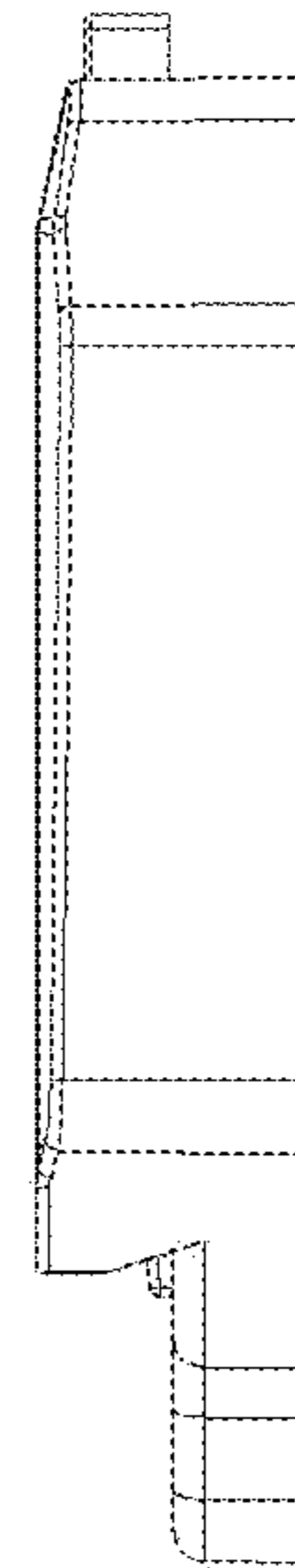


Fig. 3

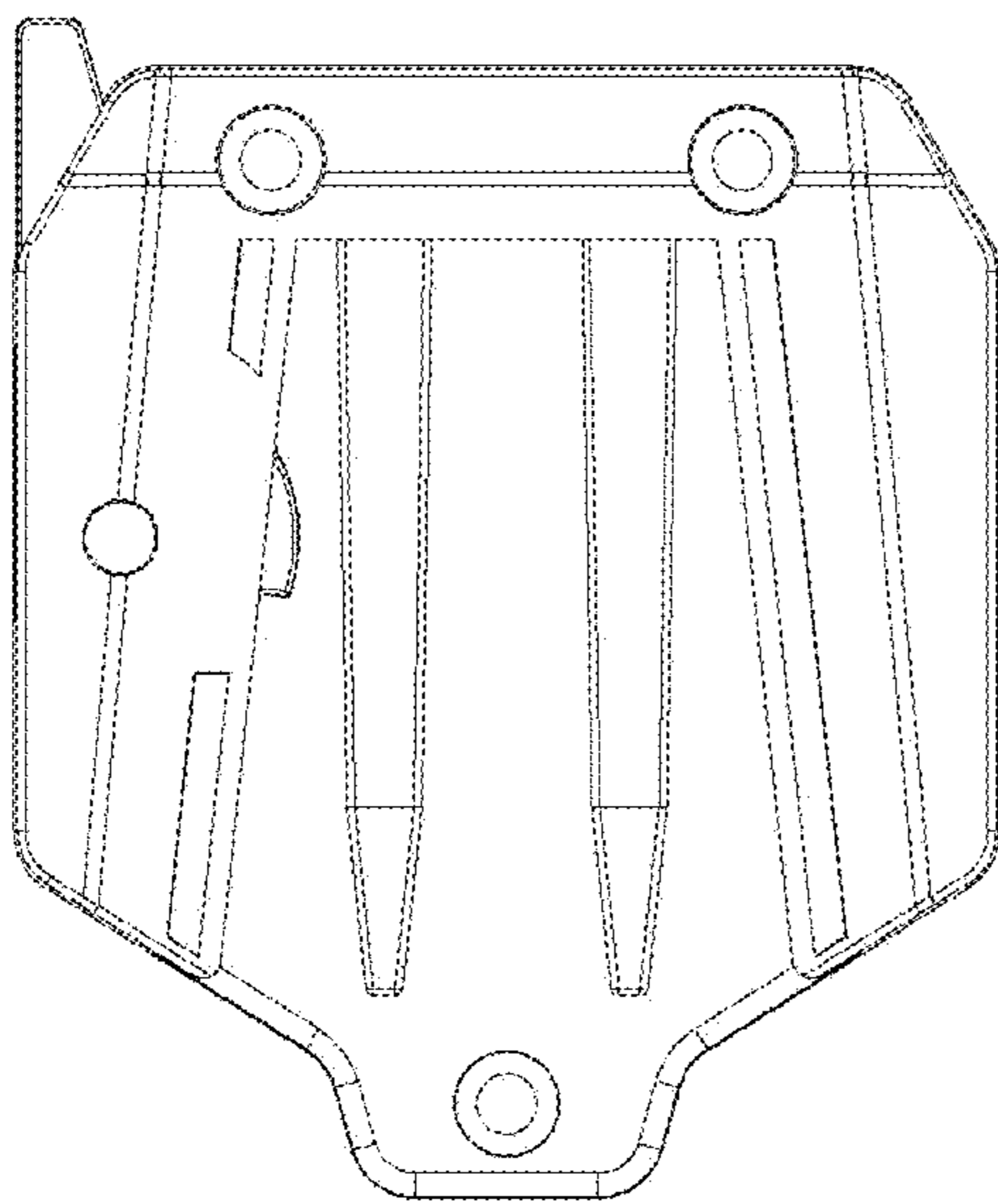


Fig. 4

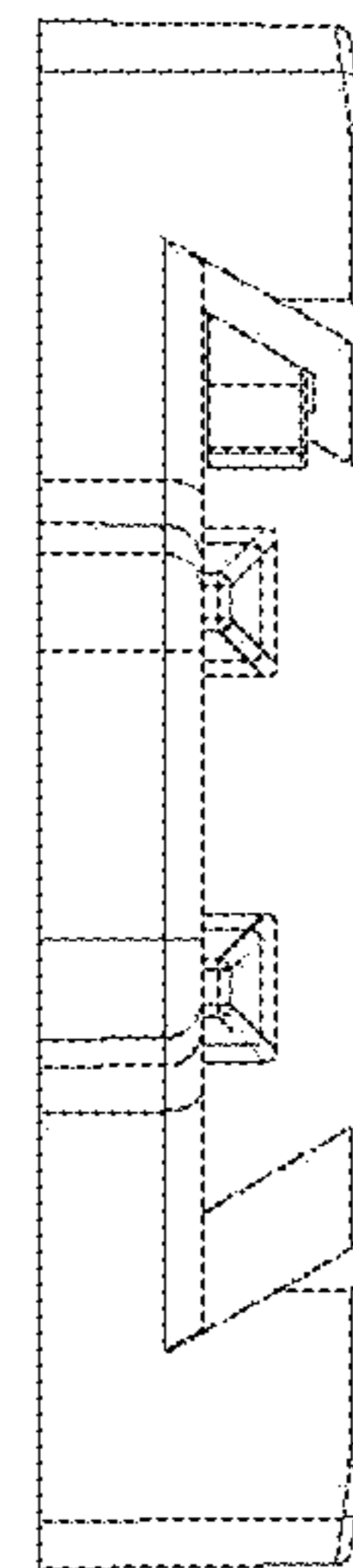


Fig. 5

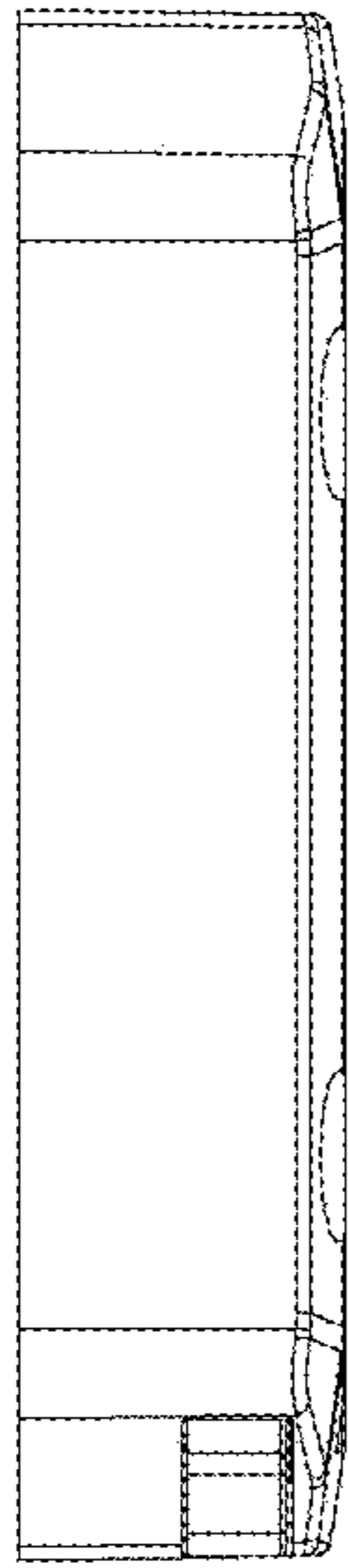


Fig. 6

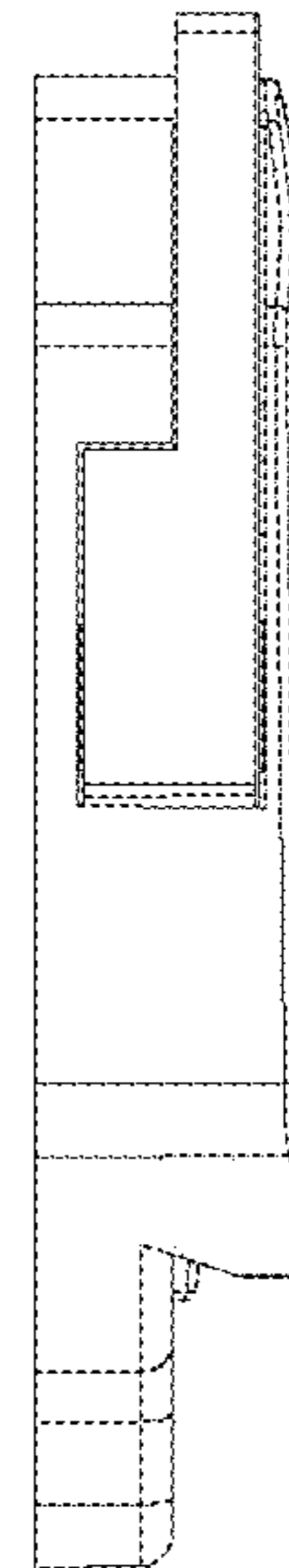


Fig. 7

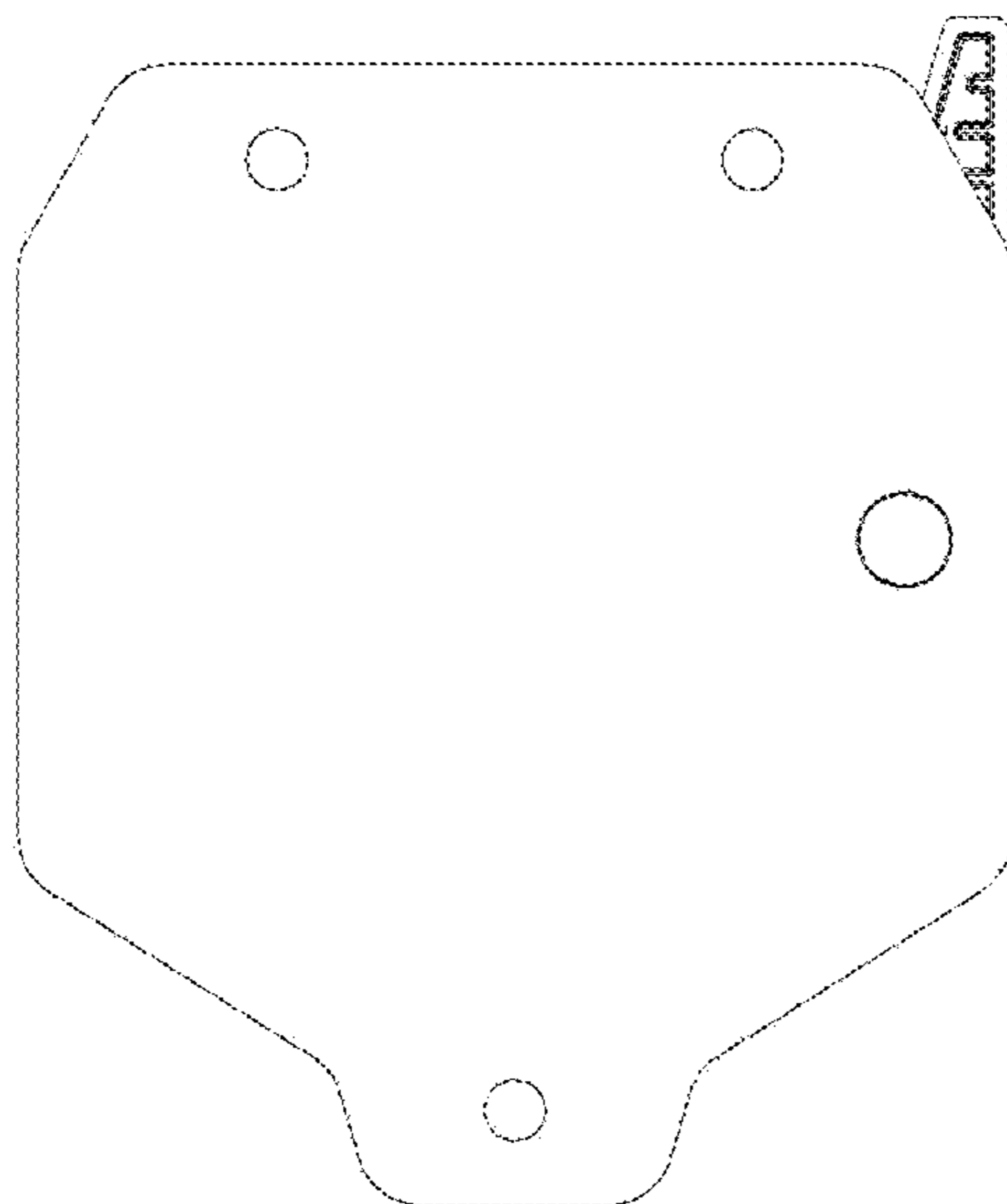


Fig. 8

