



US00D957507S

(12) **United States Design Patent** (10) **Patent No.:** **US D957,507 S**  
**Xu** (45) **Date of Patent:** **\*\* \*Jul. 12, 2022**

(54) **DOUBLE-SIDED ON-CAMERA LIGHT WITH COLD SHOE HEAD**

(71) Applicant: **ZhiSheng Xu**, Philadelphia, PA (US)

(72) Inventor: **ZhiSheng Xu**, Philadelphia, PA (US)

(\*) Notice: This patent is subject to a terminal disclaimer.

(\*\*) Term: **15 Years**

(21) Appl. No.: **29/778,728**

(22) Filed: **Apr. 14, 2021**

(51) **LOC (13) Cl.** ..... **16-05**

(52) **U.S. Cl.**  
USPC ..... **D16/239**

(58) **Field of Classification Search**  
USPC ..... D16/208–209, 219, 237–250; D8/354, D8/355, 363, 373, 382–383, 394–396; D14/224, 229, 238, 251, 253, 447, 451, D14/457; D26/63  
CPC ..... A45F 5/00; A45F 5/10; A45F 2200/0508–0533; F16M 11/06–10; F16M 11/14; G02B 7/00–002; G03B 17/56; G03B 17/561–566; H04N 5/2253–2254  
See application file for complete search history.

(56) **References Cited**

**U.S. PATENT DOCUMENTS**

D486,259 S \* 2/2004 Crawford ..... D26/46  
D557,310 S \* 12/2007 Fisher ..... D16/219  
D577,052 S \* 9/2008 Orion ..... D16/239  
D614,224 S \* 4/2010 Orion ..... D16/239  
8,469,546 B2 6/2013 Pedersen  
D693,043 S \* 11/2013 Schmalfuss ..... D26/63  
D694,928 S \* 12/2013 Chen ..... D26/63  
8,596,836 B2 12/2013 Pedersen  
D699,779 S 2/2014 Zhan  
D754,774 S 4/2016 Chang et al.

D756,011 S \* 5/2016 Nojima ..... D26/51  
D776,186 S \* 1/2017 Gammons ..... D16/239  
D784,585 S \* 4/2017 Philips ..... D26/63  
D803,922 S \* 11/2017 Chang ..... D16/203  
D860,291 S \* 9/2019 Lenz ..... D16/208  
D893,074 S \* 8/2020 Finocchiaro ..... D26/63  
D908,940 S \* 1/2021 Chen ..... D26/63

(Continued)

**OTHER PUBLICATIONS**

GVM 7SM Double-Sided Mini On-Camera Bicolor & RGB LED Video Light, [online] Retrieved Dec. 3, 2021 from URL: [https://www.bhphotovideo.com/c/product/1647817-REG/gvm\\_gvm\\_7sm\\_miniJed\\_on\\_camera\\_bi\\_color.html](https://www.bhphotovideo.com/c/product/1647817-REG/gvm_gvm_7sm_miniJed_on_camera_bi_color.html) (Year: 2021).\*

(Continued)

*Primary Examiner* — Vy N Koenig  
(74) *Attorney, Agent, or Firm* — Benjamin Aaron Adler

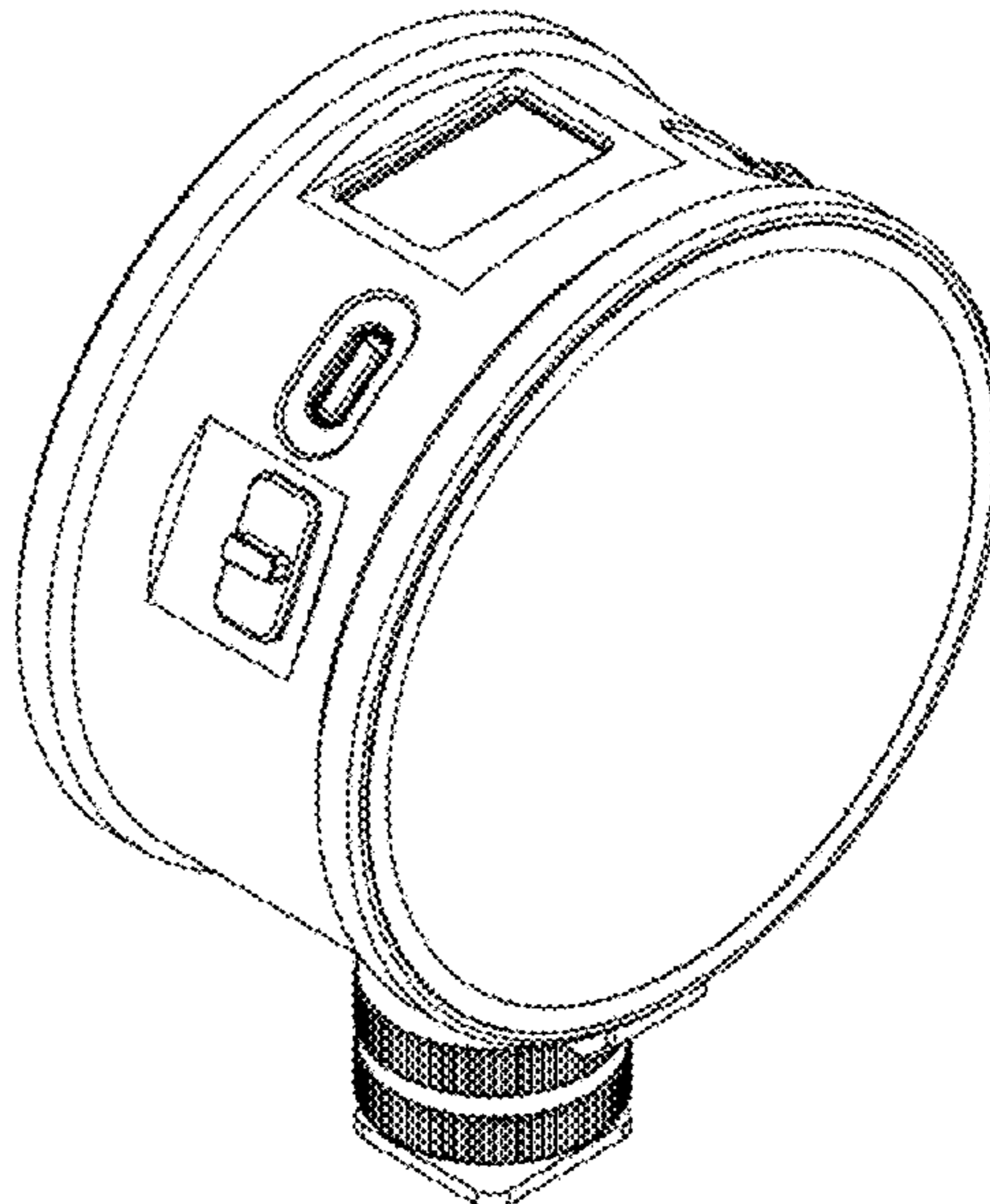
(57) **CLAIM**

The double-sided on-camera light with cold shoe head, as shown and described.

**DESCRIPTION**

FIG. 1 is a front, top and right-side perspective view of the double-sided on-camera light with cold shoe head showing my design.  
FIG. 2 is a front, top and left-side perspective view thereof.  
FIG. 3 is a front, bottom, and right-side perspective view thereof.  
FIG. 4 is a front, bottom, and left-side perspective view thereof.  
FIG. 5 is a front view thereof.  
FIG. 6 is a back view thereof.  
FIG. 7 is a top view thereof.  
FIG. 8 is a bottom view thereof.  
FIG. 9 is a right-side view thereof; and,  
FIG. 10 is a left side view thereof.

**1 Claim, 9 Drawing Sheets**



(56)

**References Cited**

U.S. PATENT DOCUMENTS

D911,421 S      2/2021   Xu

OTHER PUBLICATIONS

VIJIM Round Vlogging Light w 3 Cold Shoe . . . [online] First available on Amazon Nov. 11, 2020. Retrieved from URL: <https://www.amazon.com/Vlogging-2500K-6500K-Bi-Color-Rechargeable-Smartphone/dp/B08N688GLV?th=1> (Year: 2020).\*

GVM-10SON-CameraLight, bhphotovideo.com.

Ulanzi VL49 2000mAh LED Video Light with Cold Shoe, amazon.com.

Ulanzi U-Bright LED Video Light, amazon.com.

Peter Ward, Top10 On-Camera Video Lights, bhphotovideo.com.

Andoer Mini LED Video Light Photography Fill-in Lamp 6500K Dimmable 5W with Cold Shoe Mount Adapter, andoer.com.

\* cited by examiner

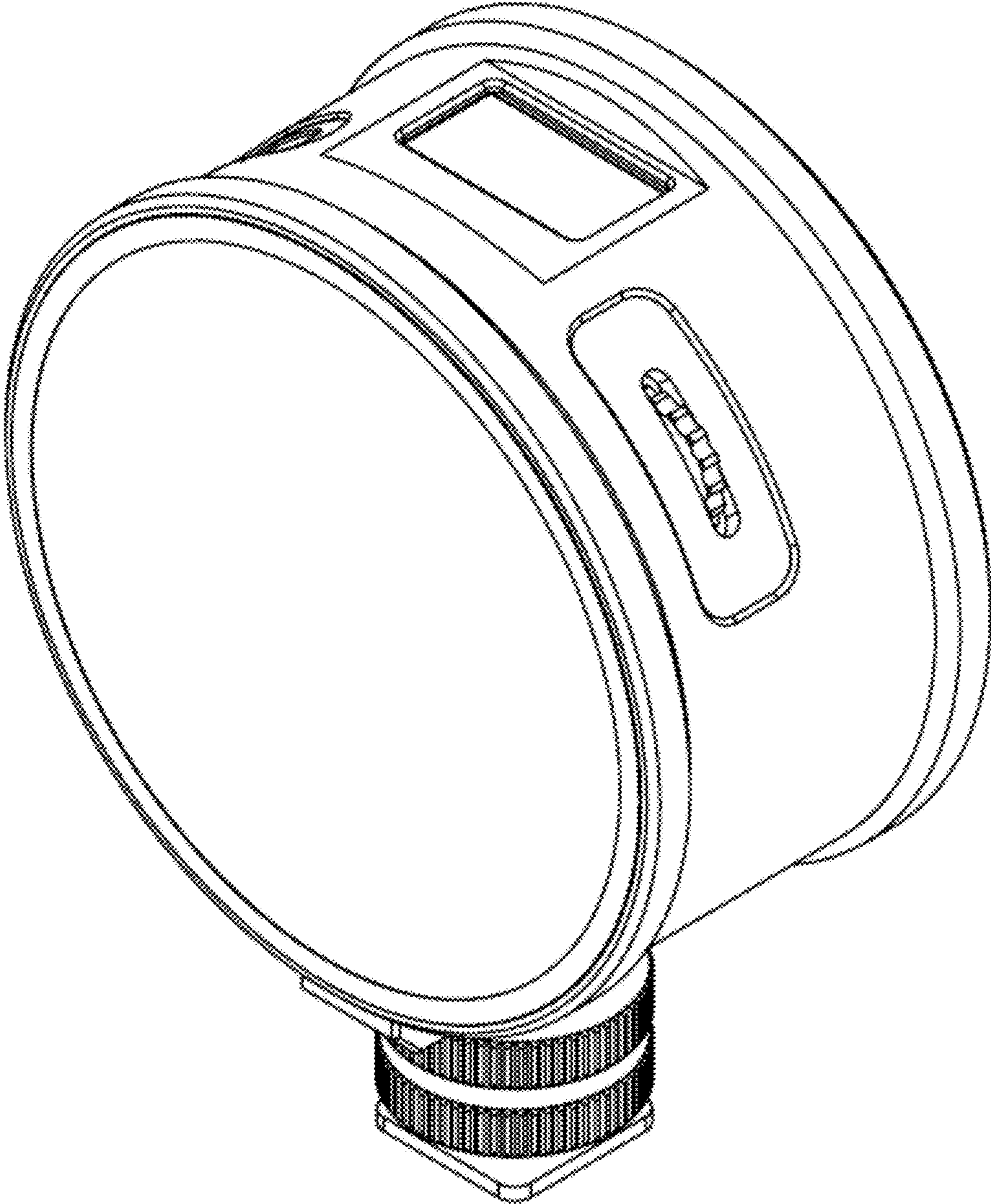


FIG. 1

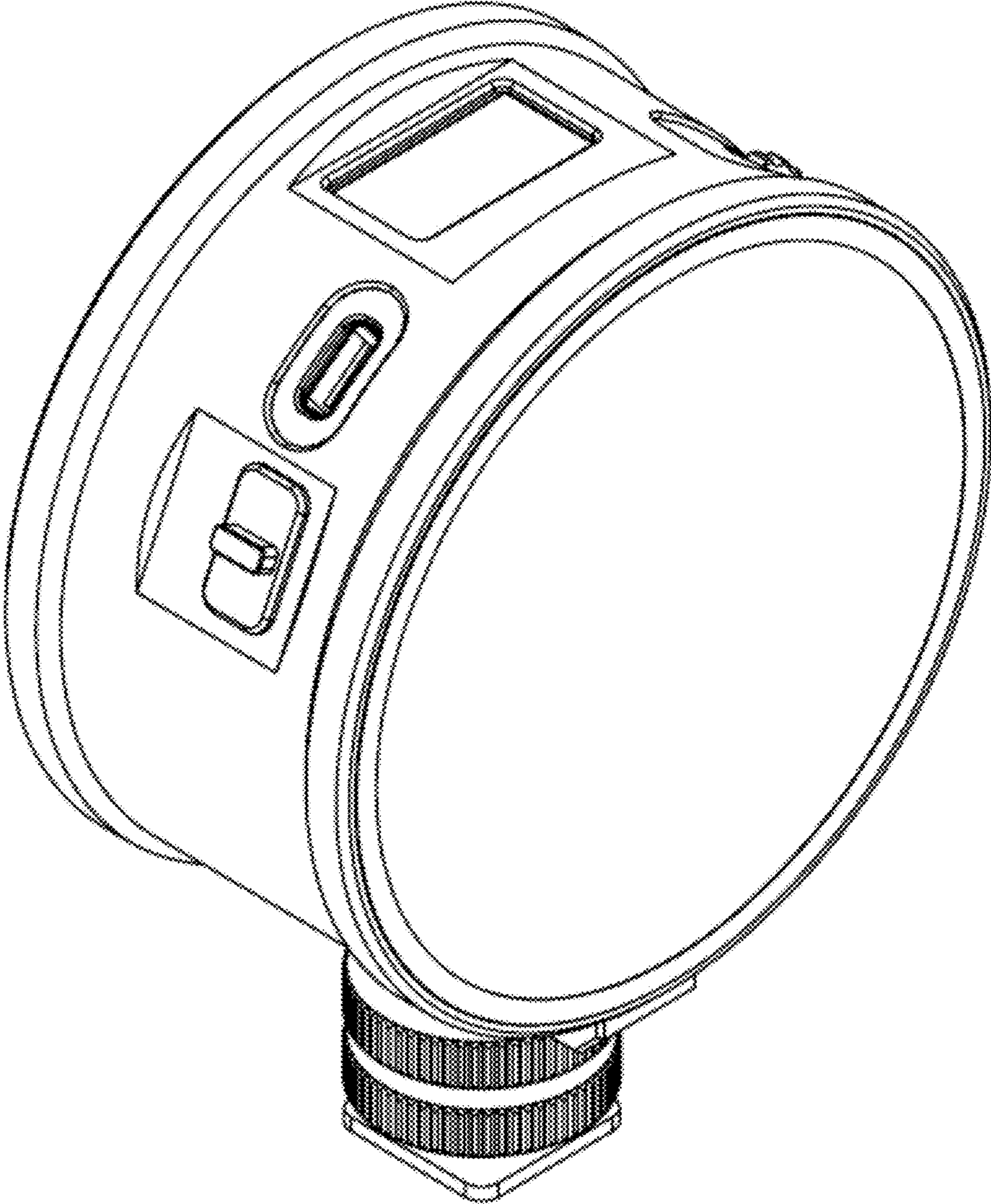


FIG. 2

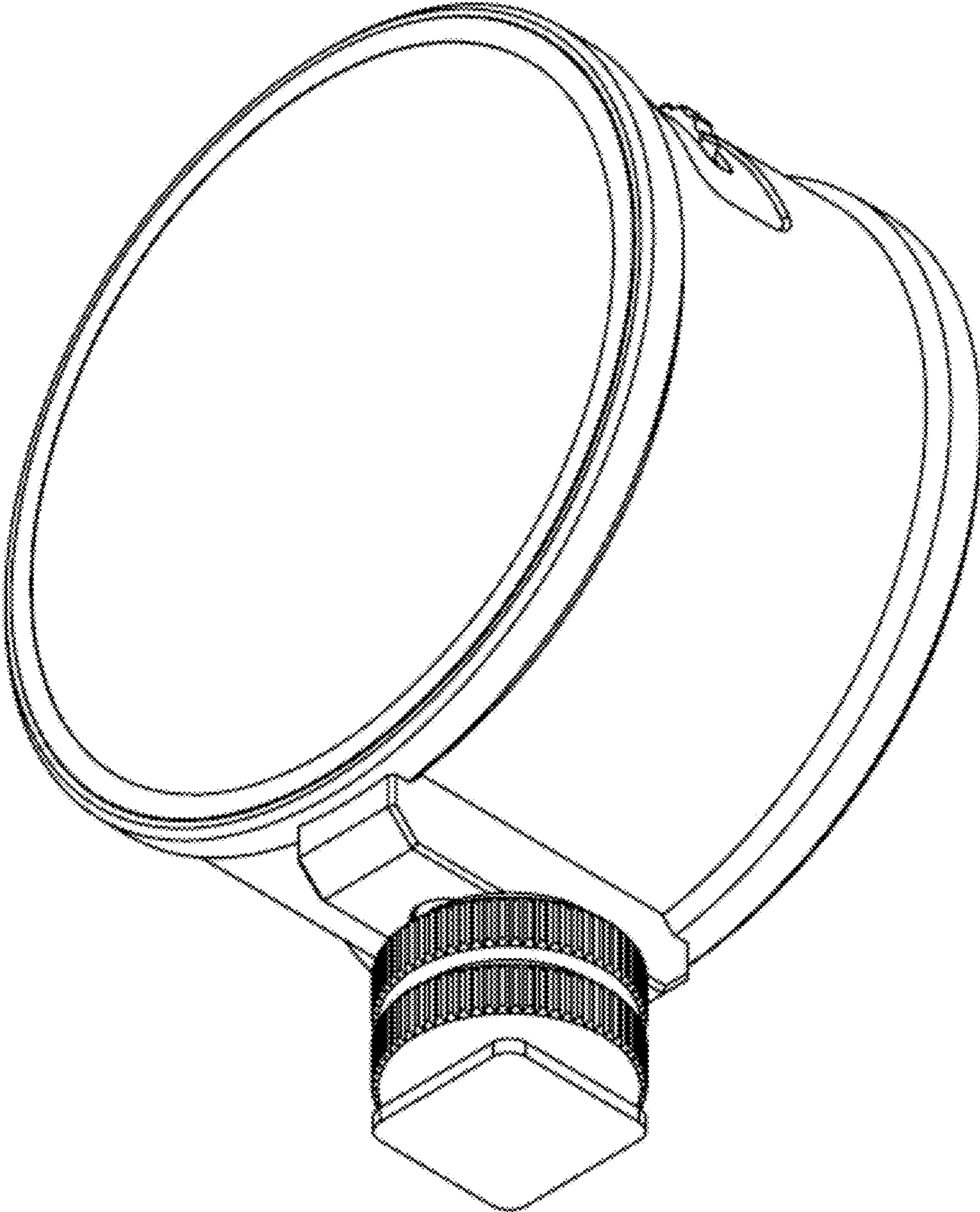


FIG. 3

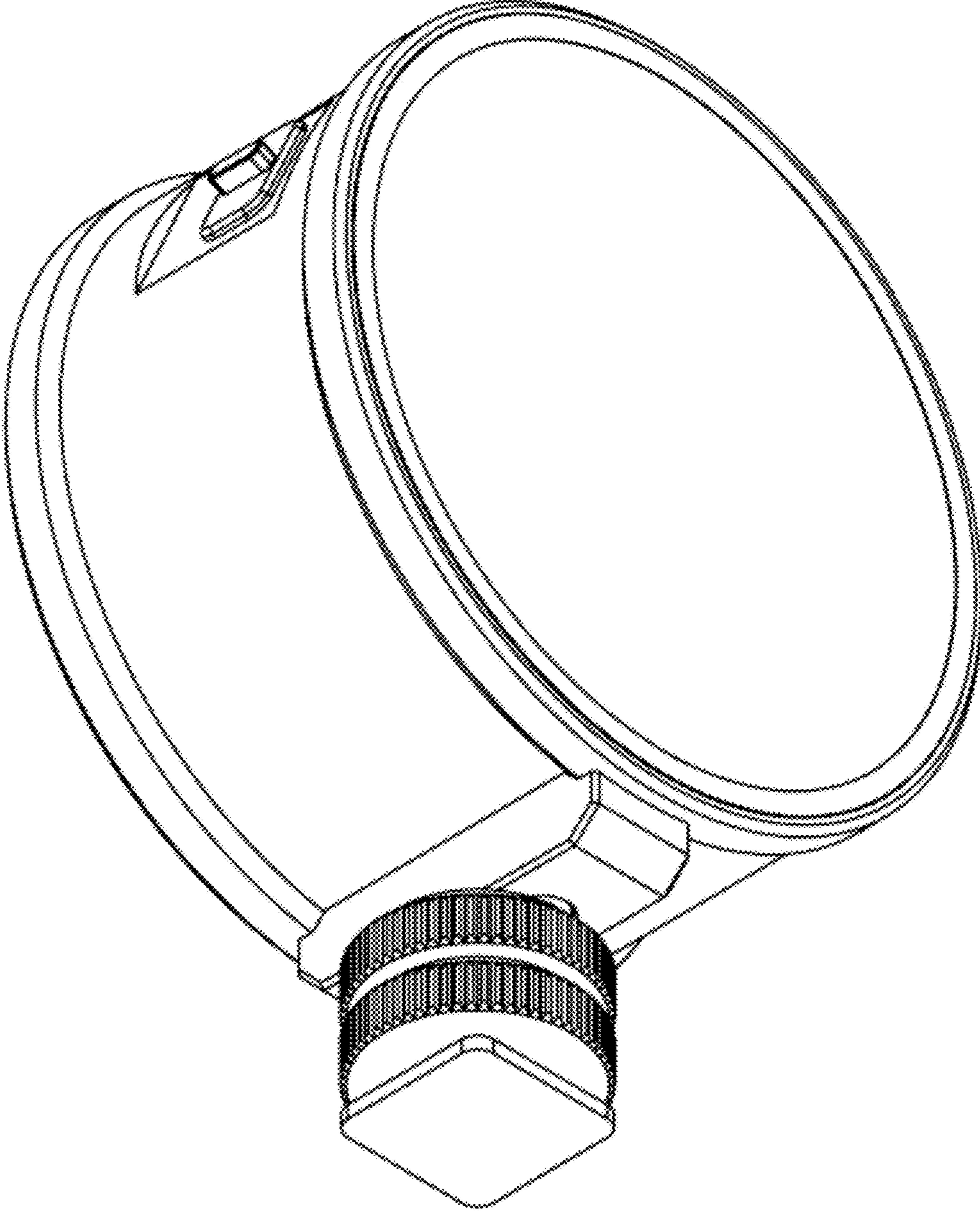


FIG. 4

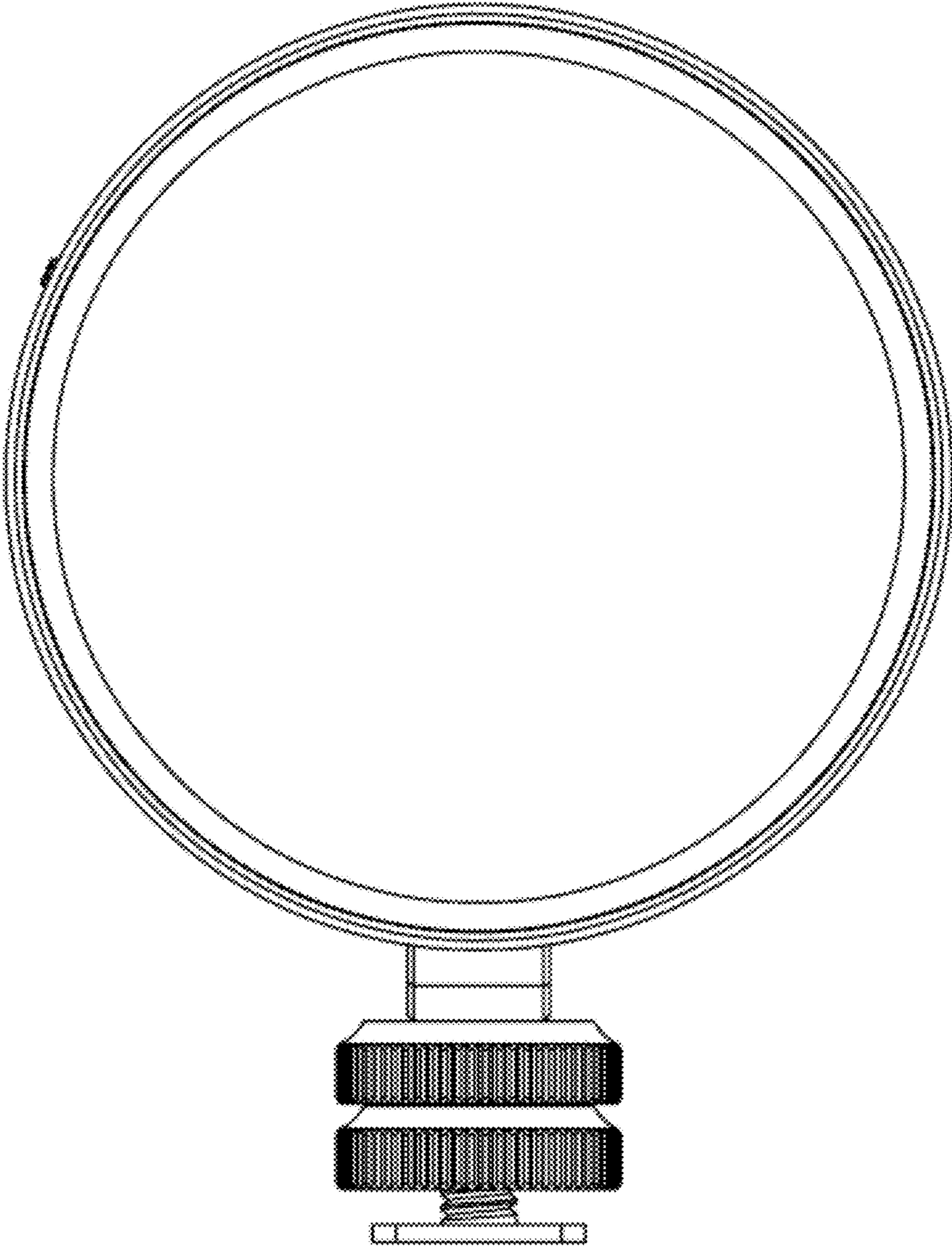


FIG. 5

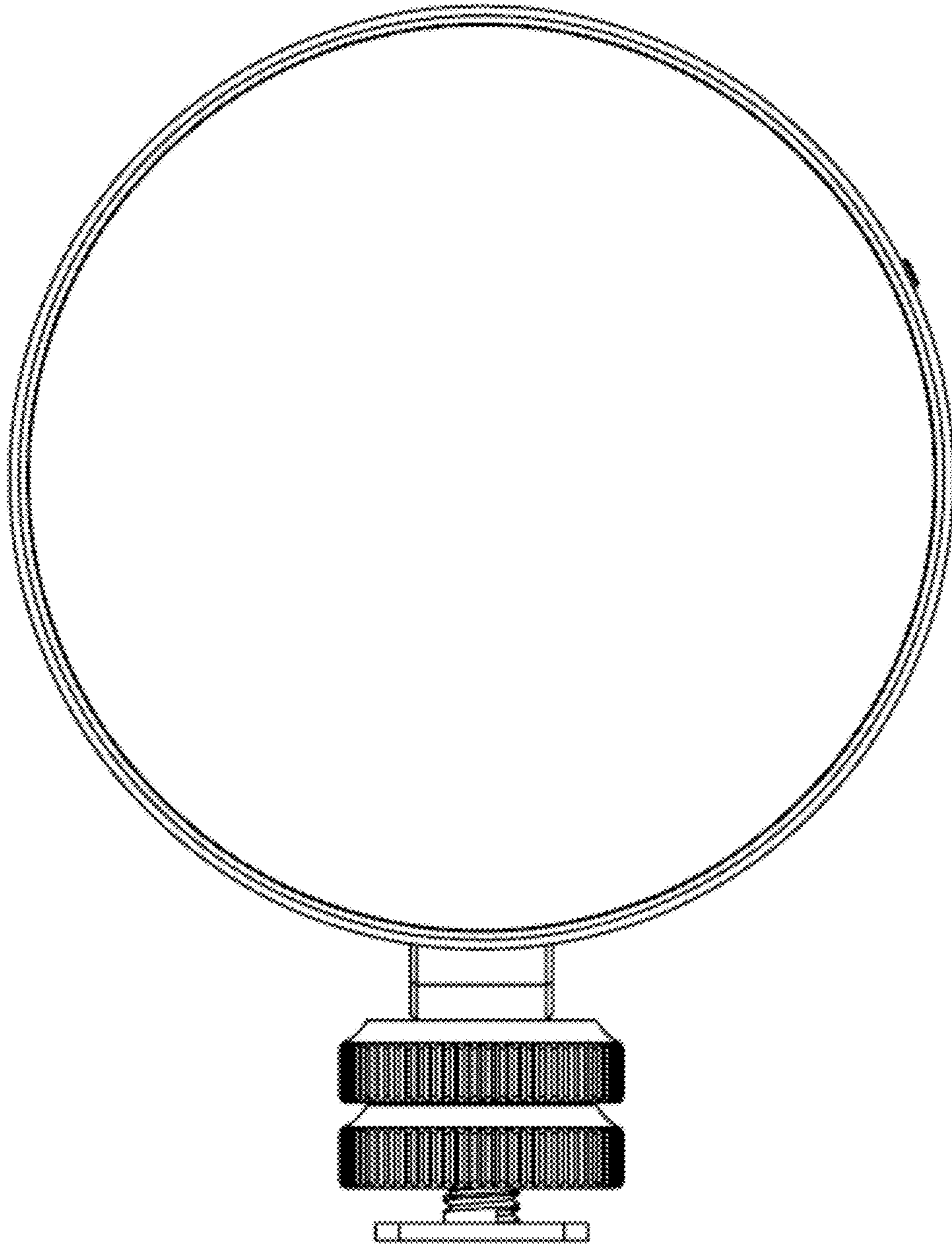


FIG. 6



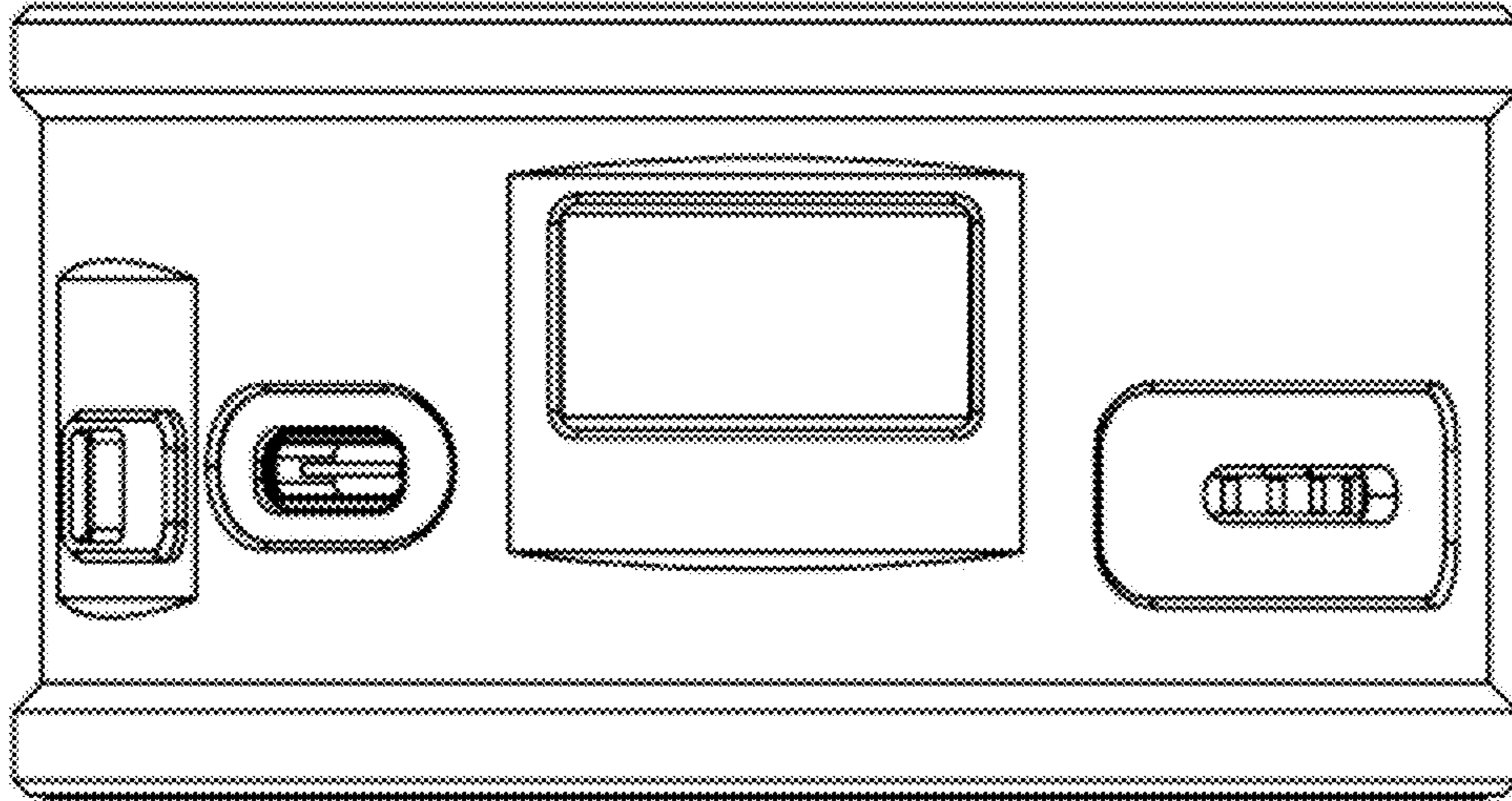


FIG. 7

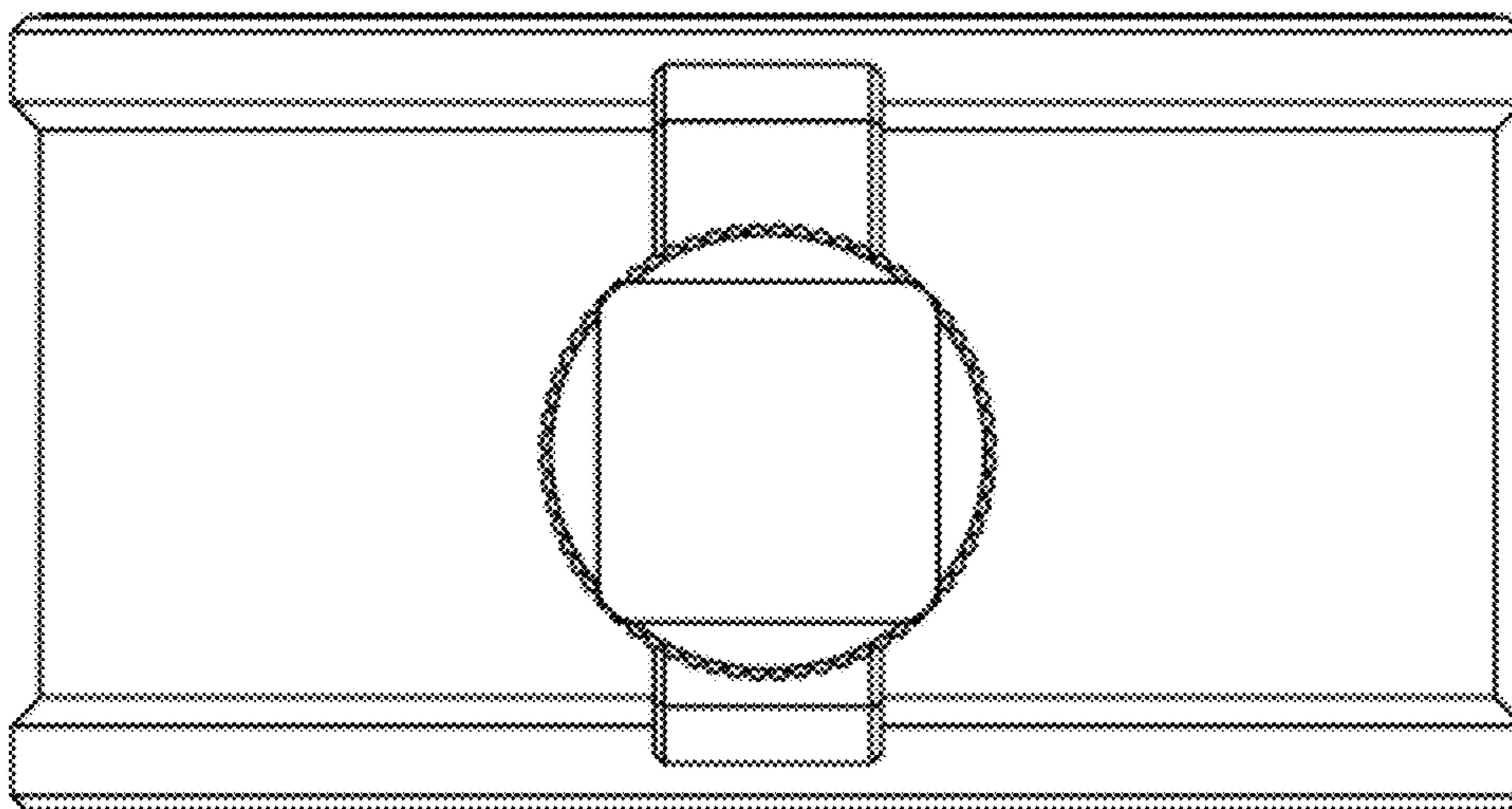


FIG. 8

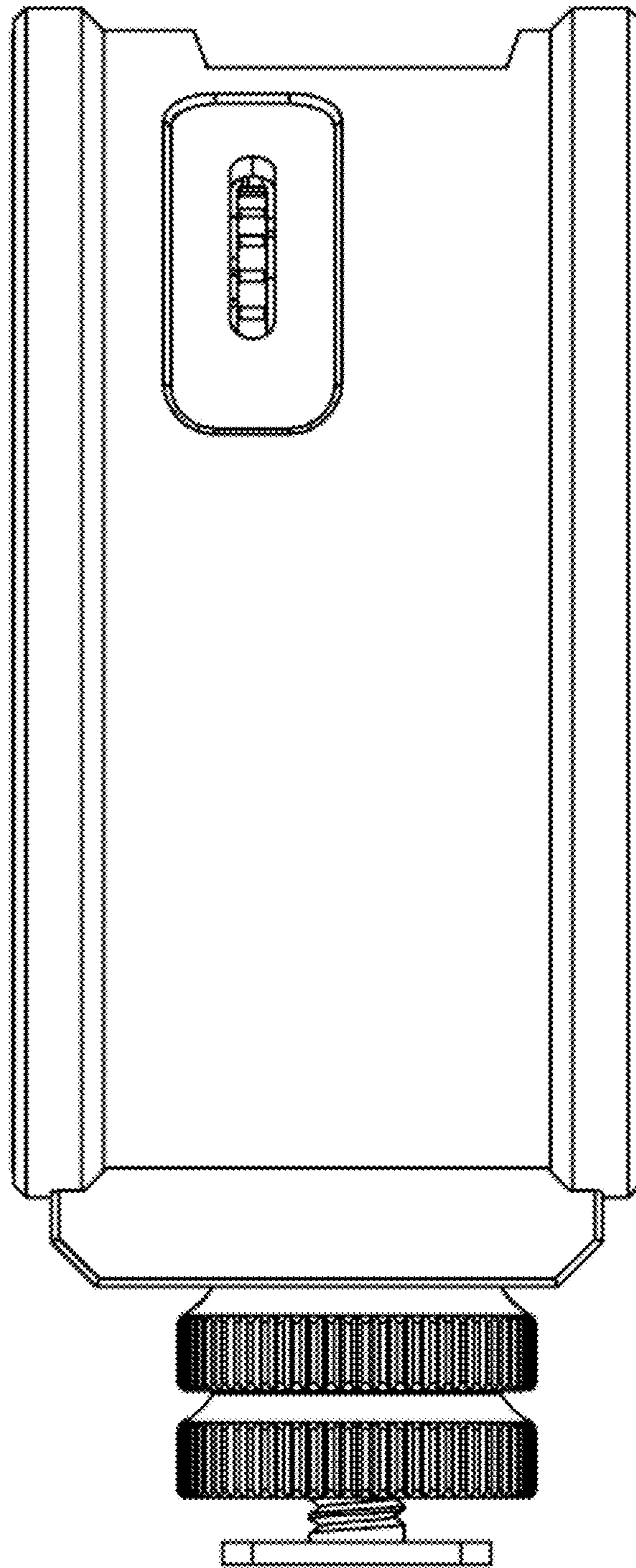


FIG. 9

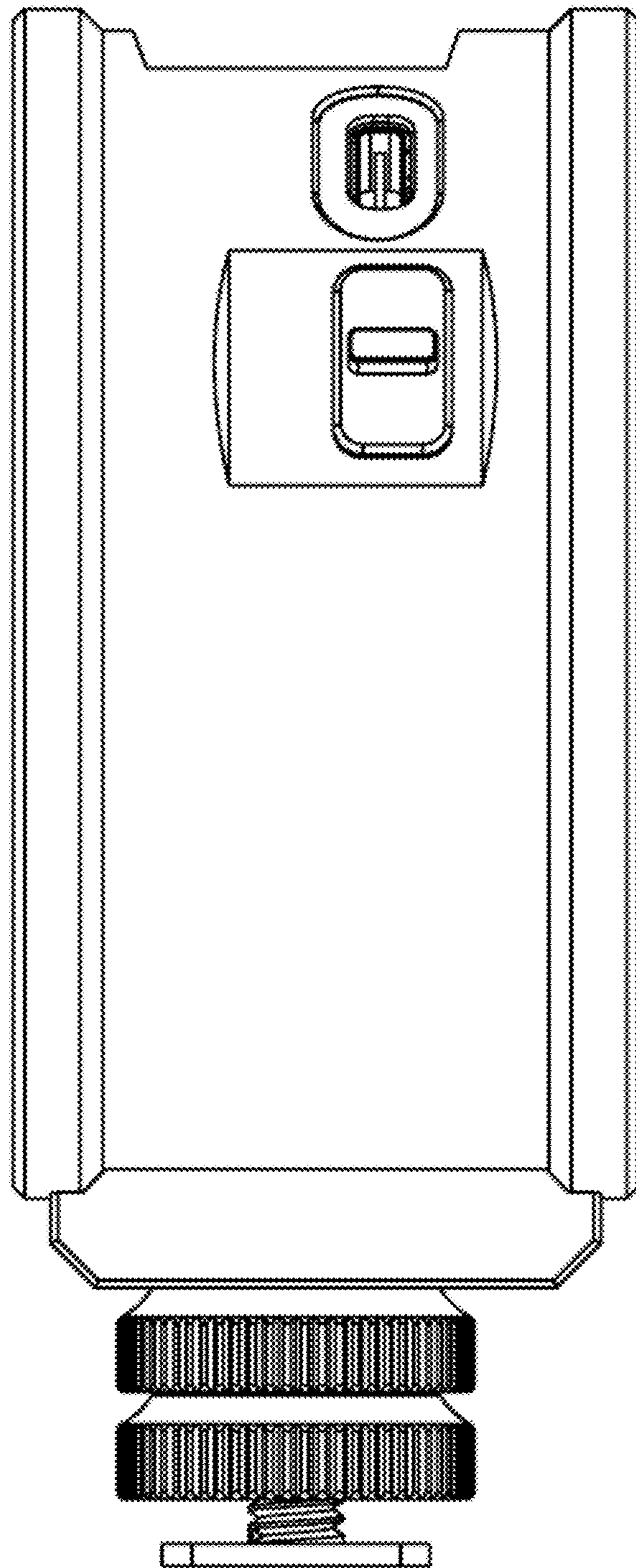


FIG. 10