



US00D957506S

(12) **United States Design Patent**
Huang et al.

(10) **Patent No.:** **US D957,506 S**

(45) **Date of Patent:** **** Jul. 12, 2022**

(54) **PROJECTOR**

(71) Applicants: **Hui Huang**, Guangdong (CN); **Man Li**, Guangdong (CN)

(72) Inventors: **Hui Huang**, Guangdong (CN); **Man Li**, Guangdong (CN)

(73) Assignee: **Shenzhen Jinyinhengye Electronic Co., Ltd.**, Guangdong (CN)

(**) Term: **15 Years**

(21) Appl. No.: **29/756,190**

(22) Filed: **Oct. 27, 2020**

(51) **LOC (13) Cl.** **16-02**

(52) **U.S. Cl.**
USPC **D16/230**

(58) **Field of Classification Search**
USPC D16/221, 225, 230-231, 234; D21/514
CPC G03B 21/145; G03B 21/16; G03B 21/00;
G03B 21/003; G03B 21/12; G03B 21/14
See application file for complete search history.

(56) **References Cited**

U.S. PATENT DOCUMENTS

D828,431 S * 9/2018 Gan D16/230

D865,035 S * 10/2019 Chen D16/230
D886,889 S * 6/2020 Mao D16/230
D886,890 S * 6/2020 Liang D16/230

* cited by examiner

Primary Examiner — Wan Laymon

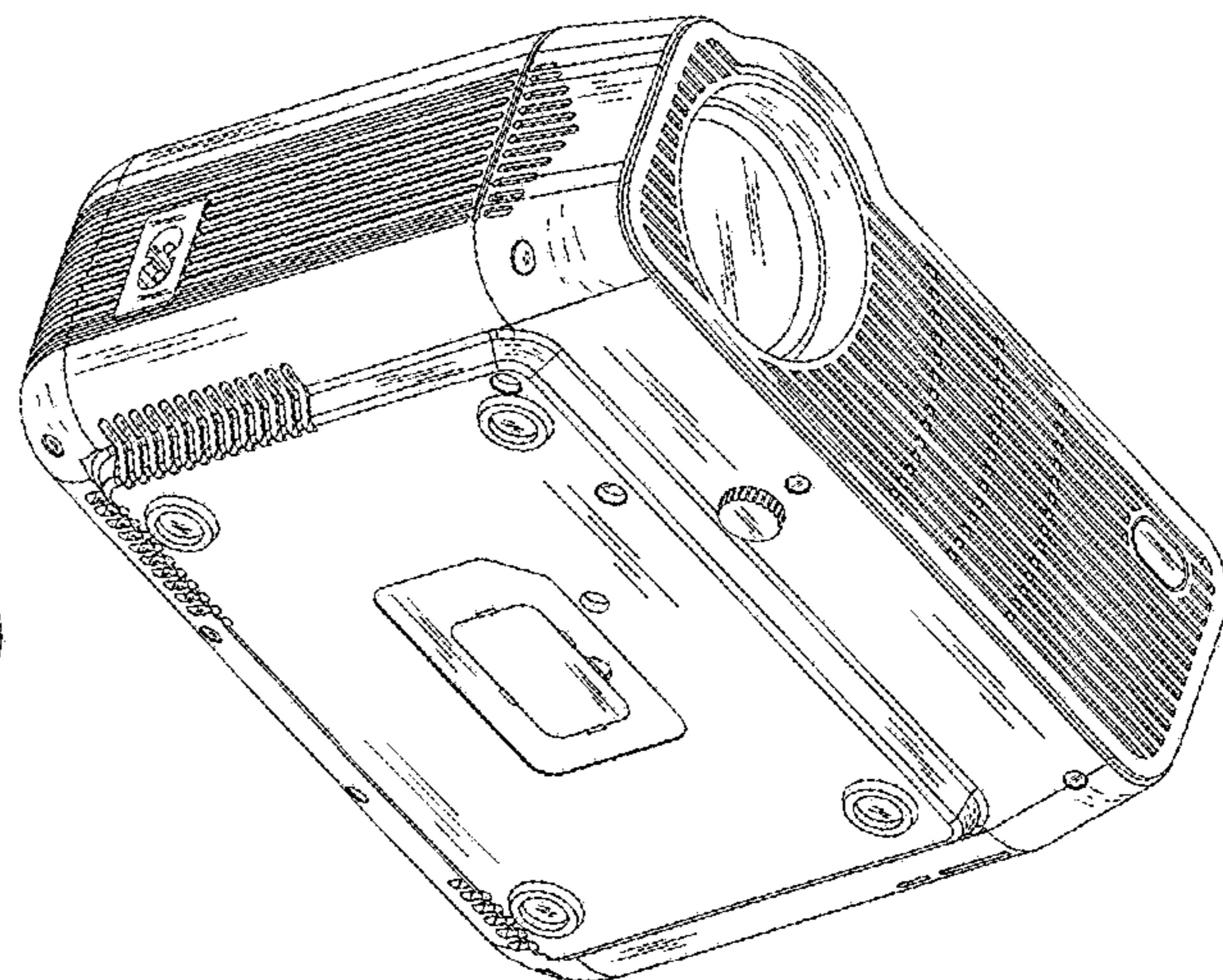
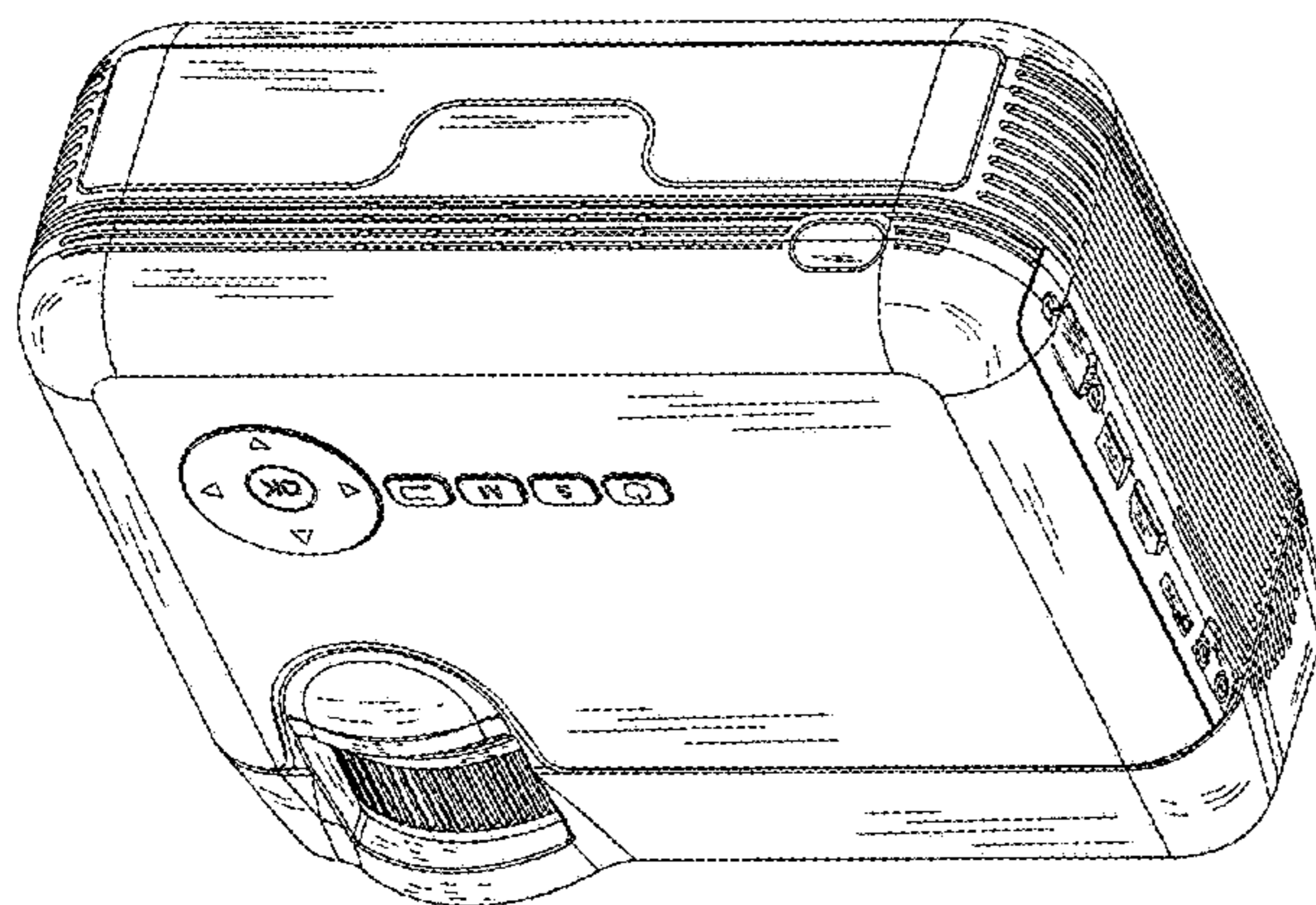
(57) **CLAIM**

The ornamental design for a projector, as shown and described.

DESCRIPTION

FIG. 1 is a top, rear and right side perspective view of a projector showing our new design;
FIG. 2 is a front, bottom and left side perspective view thereof;
FIG. 3 is a front elevation view thereof;
FIG. 4 is a rear elevation view thereof;
FIG. 5 is a left side elevation view thereof, shown enlarged in scale;
FIG. 6 is a right side elevation view thereof, shown enlarged in scale;
FIG. 7 is a top plan view thereof; and,
FIG. 8 is a bottom plan view thereof.
The broken lines in the drawings depict portions of the projector that form no part of the claimed design.

1 Claim, 8 Drawing Sheets



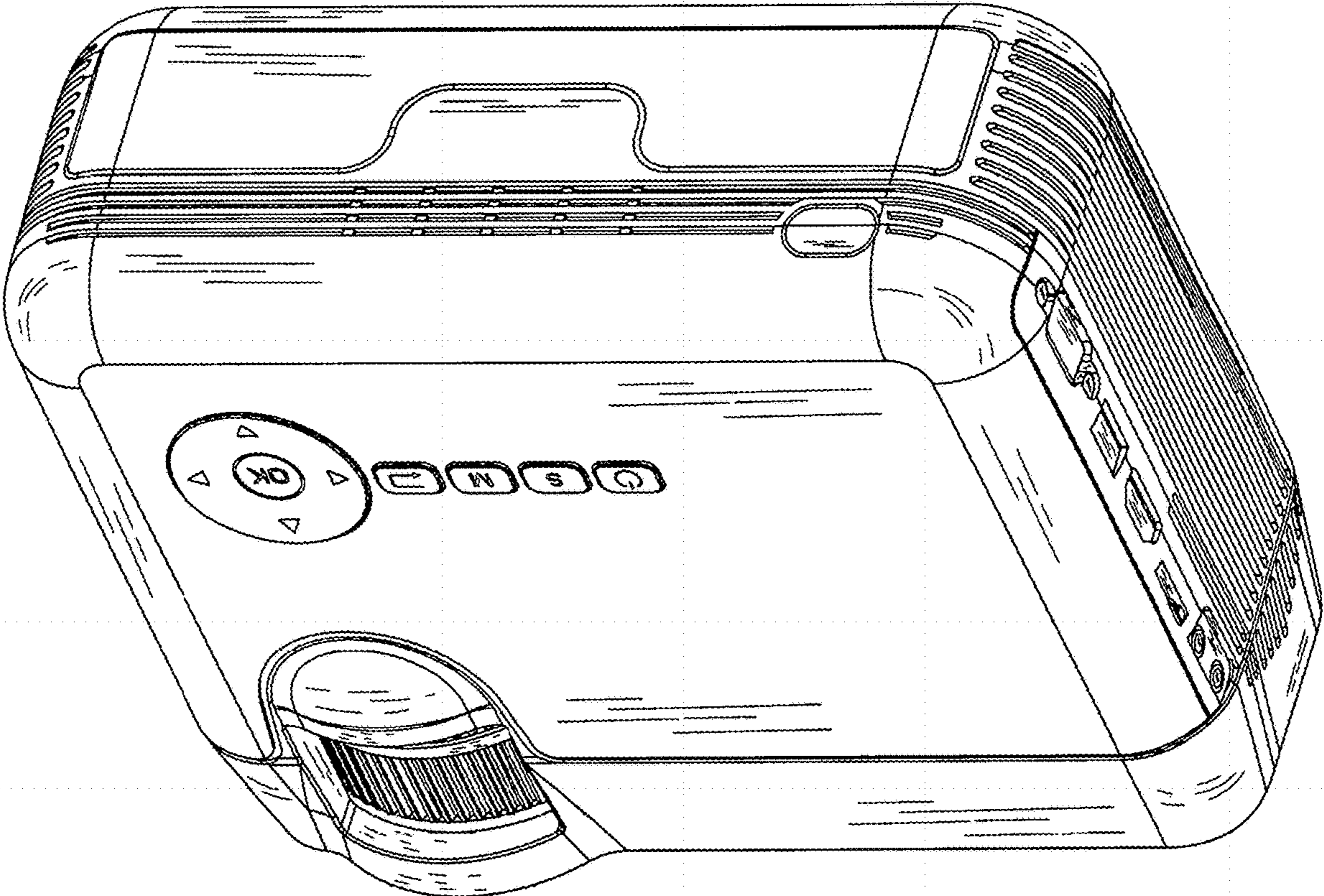


FIG. 1

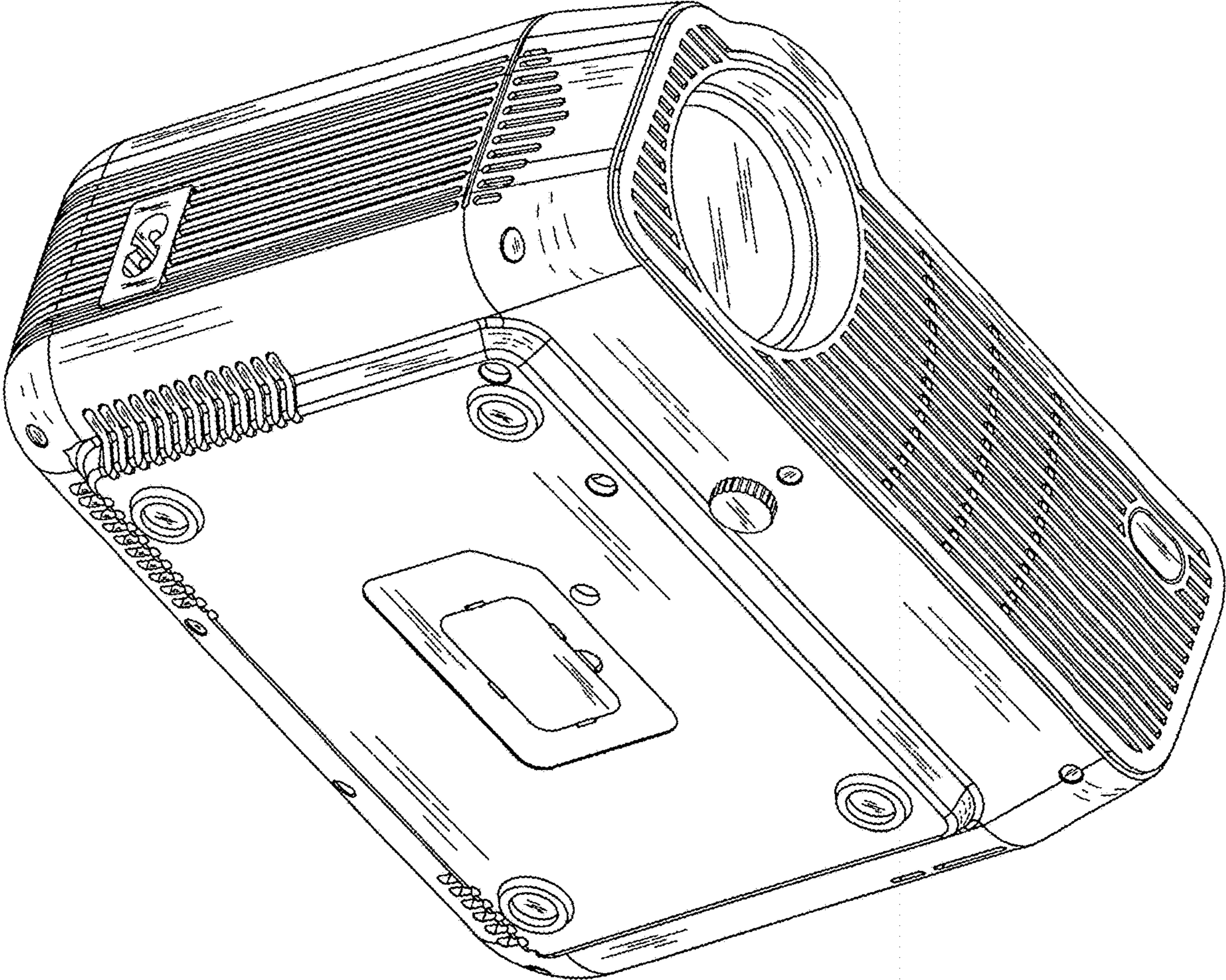


FIG. 2

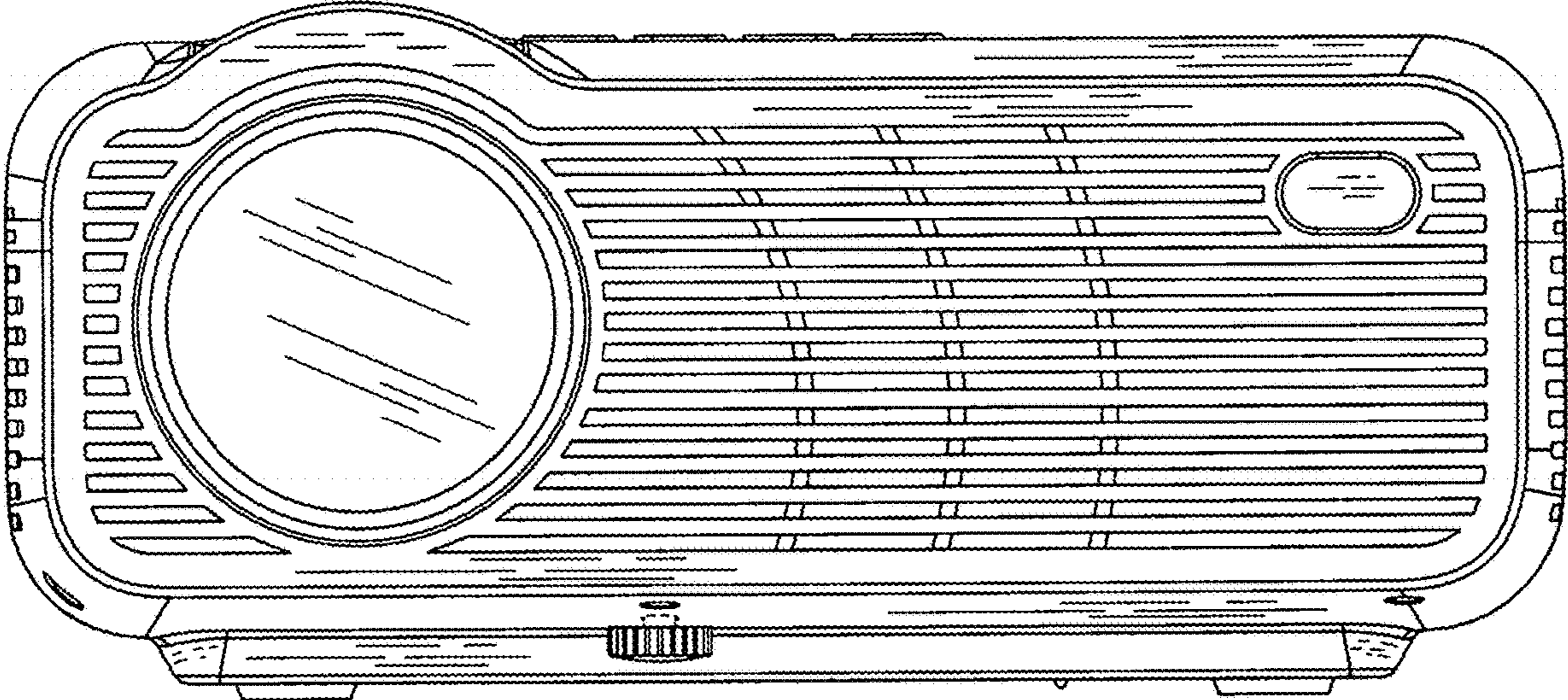


FIG. 3

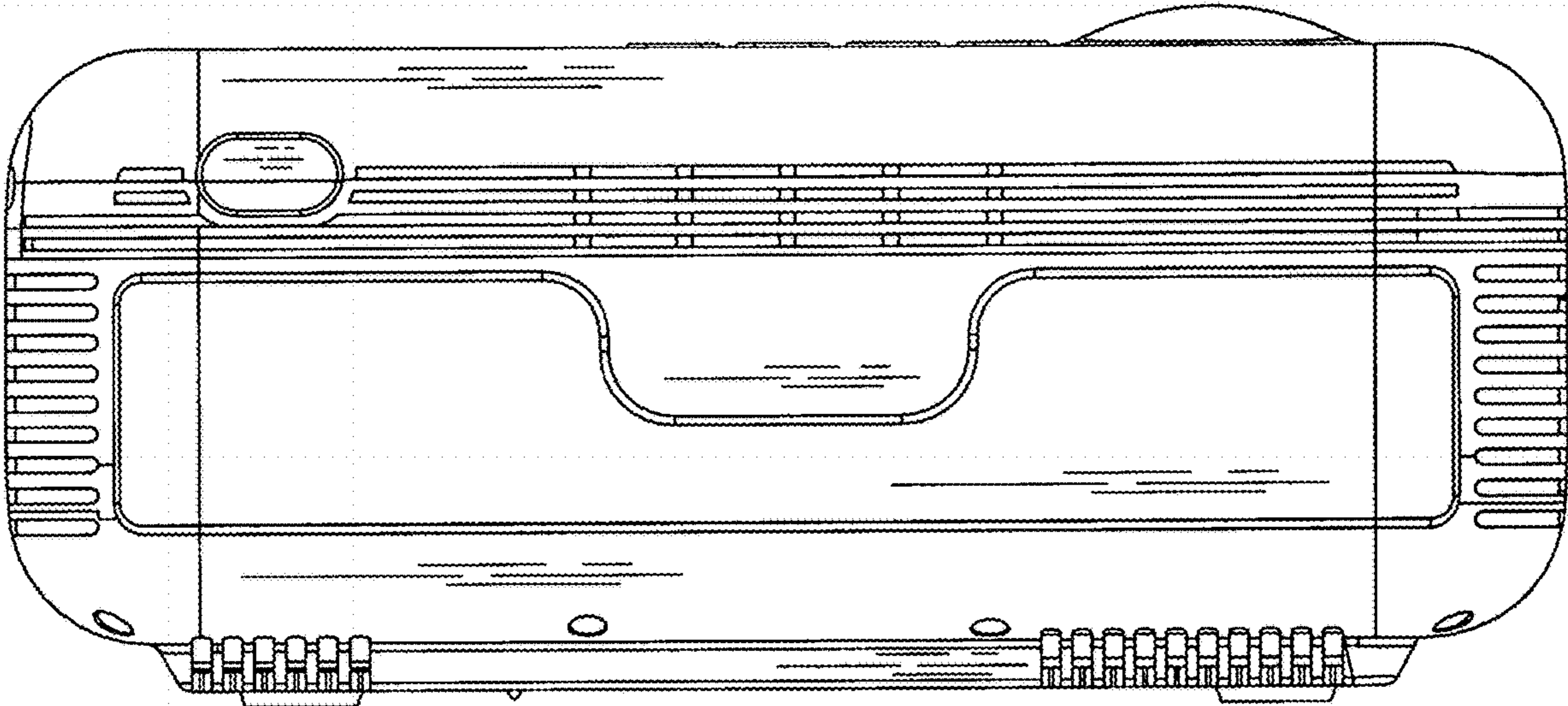


FIG. 4

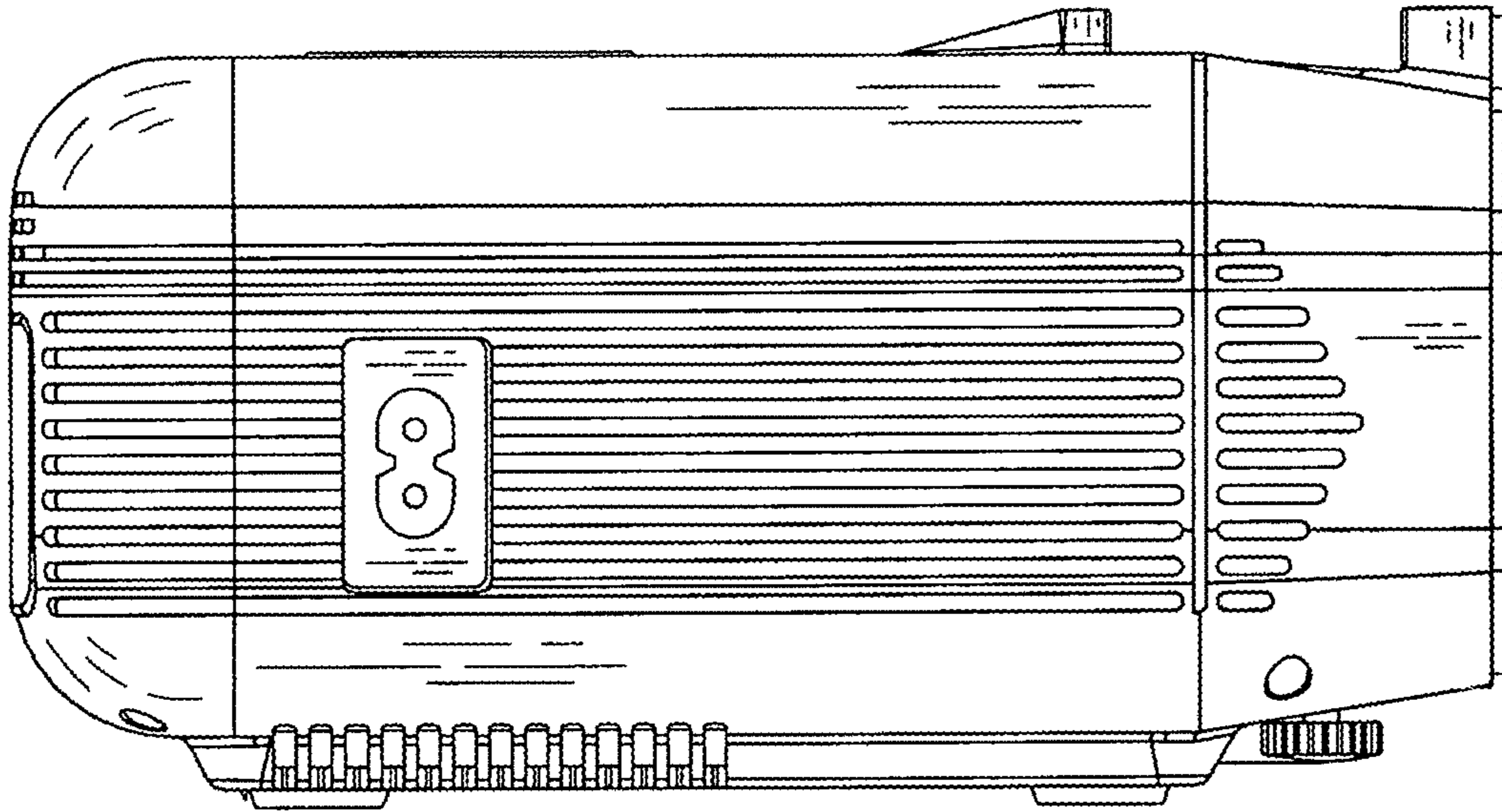


FIG. 5

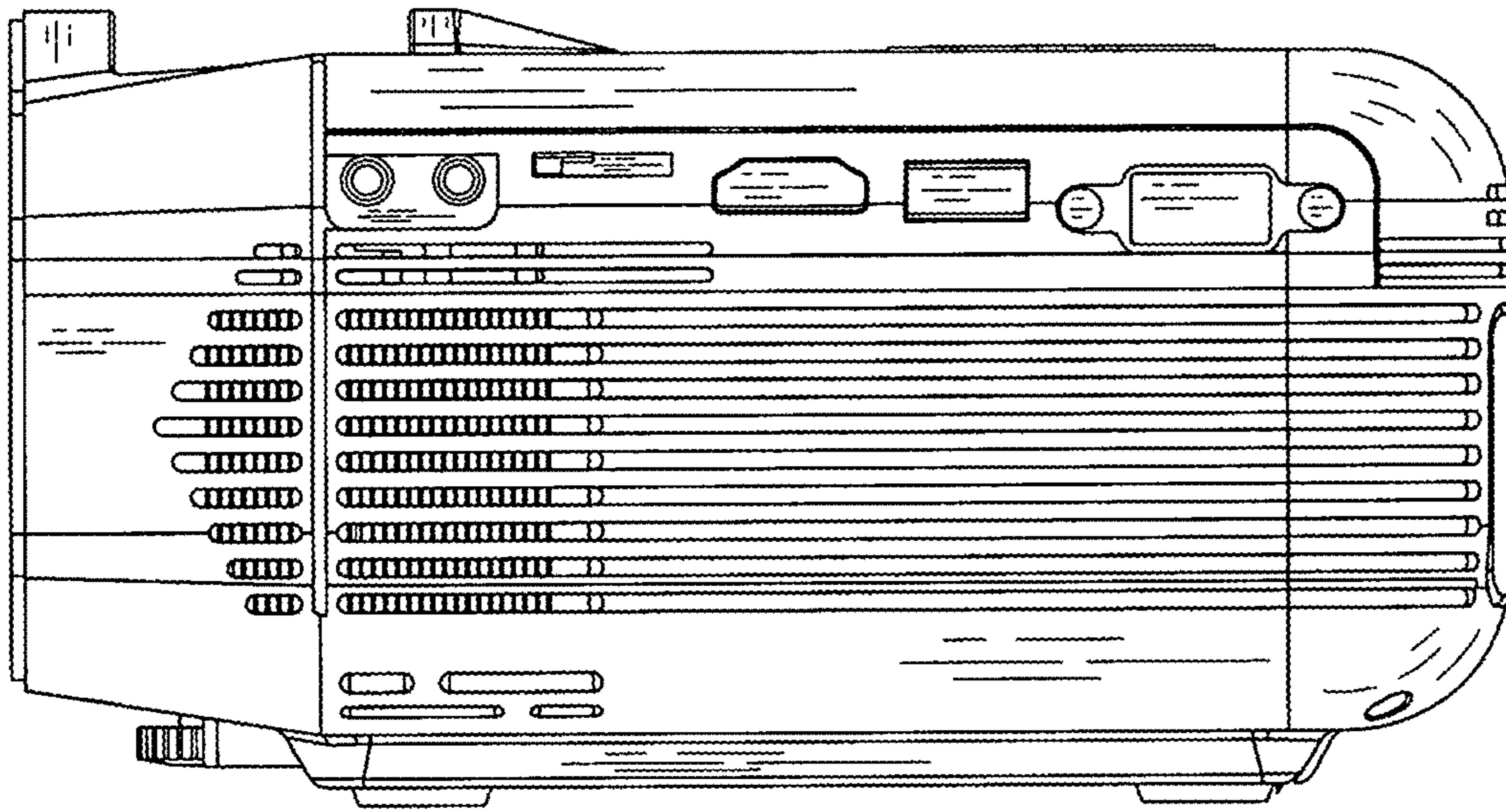


FIG. 6

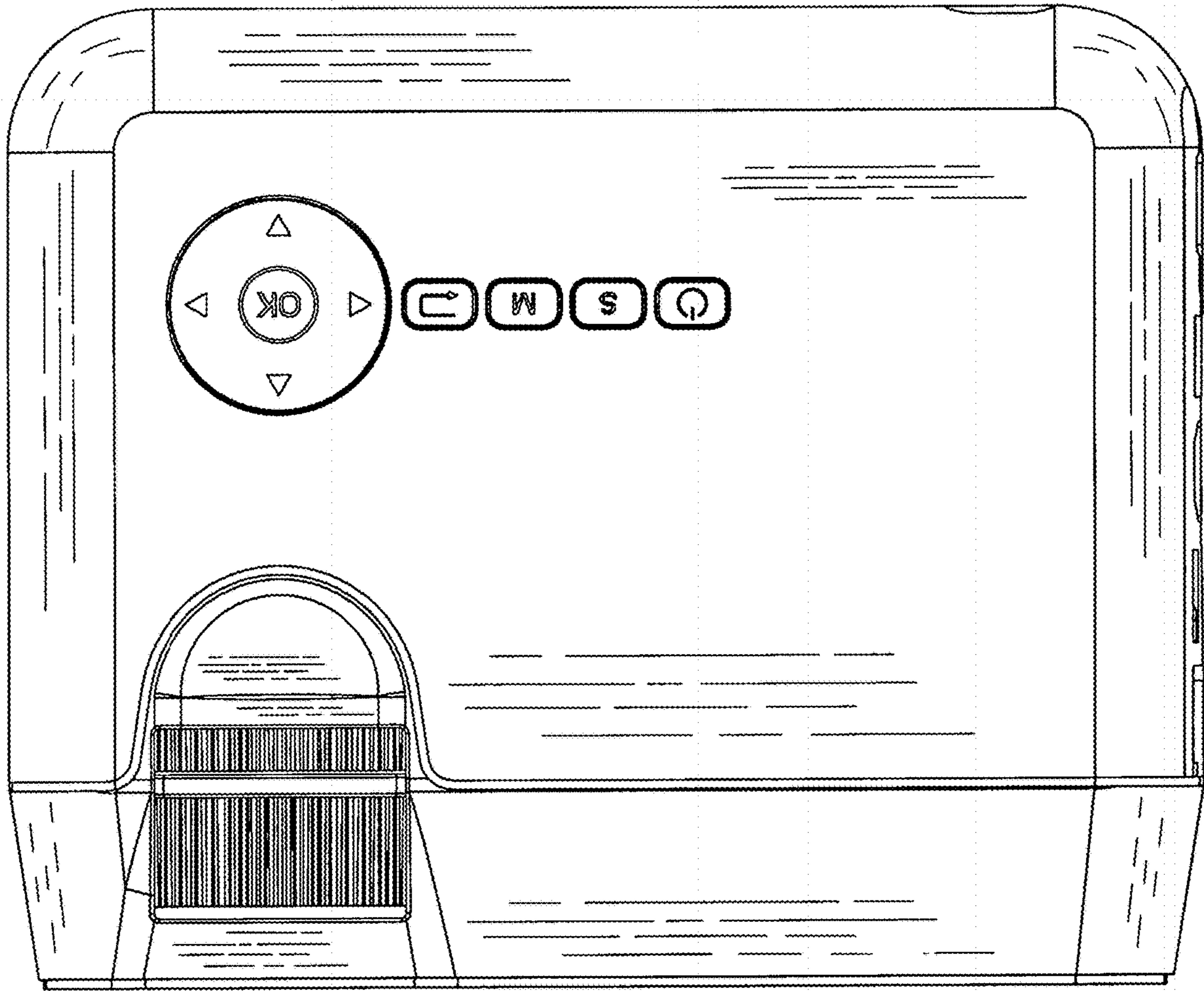


FIG. 7

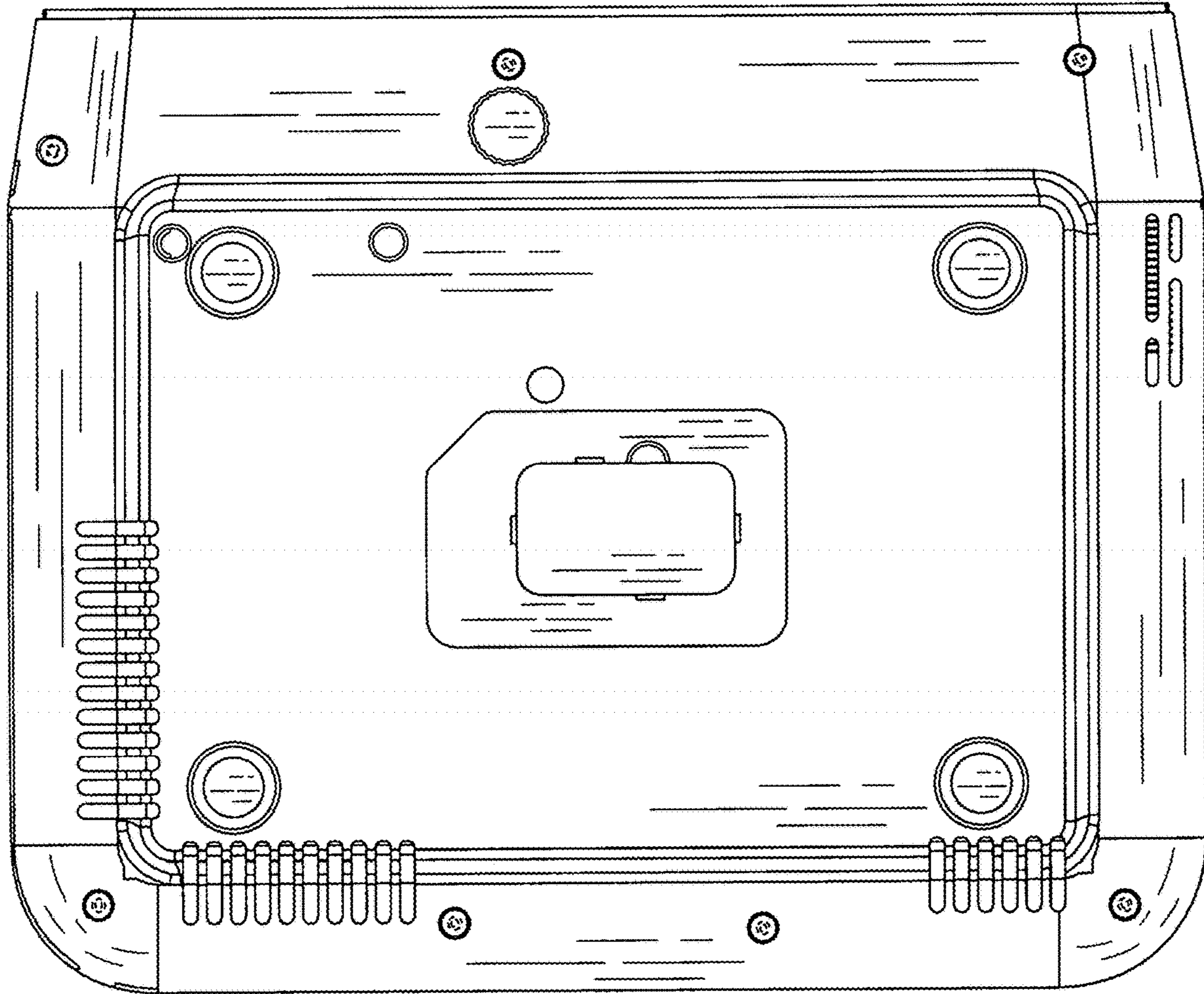


FIG. 8