



US00D957505S

(12) **United States Design Patent**
Peng et al.

(10) **Patent No.:** **US D957,505 S**
(45) **Date of Patent:** **** Jul. 12, 2022**

- (54) **VERTICAL PROJECTOR**
- (71) Applicant: **Shenzhen VanTop Technology & Innovation Co., Ltd.**, Shenzhen (CN)
- (72) Inventors: **Yiya Peng**, Shenzhen (CN); **Wenting Feng**, Shenzhen (CN); **Dawei Wang**, Shenzhen (CN)
- (73) Assignee: **Shenzhen VanTop Technology & Innovation Co., Ltd.**, Shenzhen (CN)
- (**) Term: **15 Years**
- (21) Appl. No.: **29/755,226**
- (22) Filed: **Oct. 19, 2020**
- (30) **Foreign Application Priority Data**
May 27, 2020 (CN) 202030255113.2
- (51) **LOC (13) Cl.** **16-02**
- (52) **U.S. Cl.**
USPC **D16/230**
- (58) **Field of Classification Search**
USPC D16/221, 225, 230–231, 234; D21/514
CPC G03B 21/145; G03B 21/14; G03B 21/16;
G03B 21/00; G03B 21/003; G03B 21/12
See application file for complete search history.

- D835,703 S * 12/2018 Moon G03B 23/044
D16/230
- D896,300 S * 9/2020 Long D16/230
- D897,411 S * 9/2020 Cheng D16/221
- D935,512 S * 11/2021 Wang D16/230

FOREIGN PATENT DOCUMENTS

- CN 304031429 * 8/2016
- CN 307108508 * 10/2021
- WO WO D202215-001 * 9/2018

* cited by examiner

Primary Examiner — Wan Laymon

(74) *Attorney, Agent, or Firm* — Banner & Witcoff, Ltd.

(57) **CLAIM**

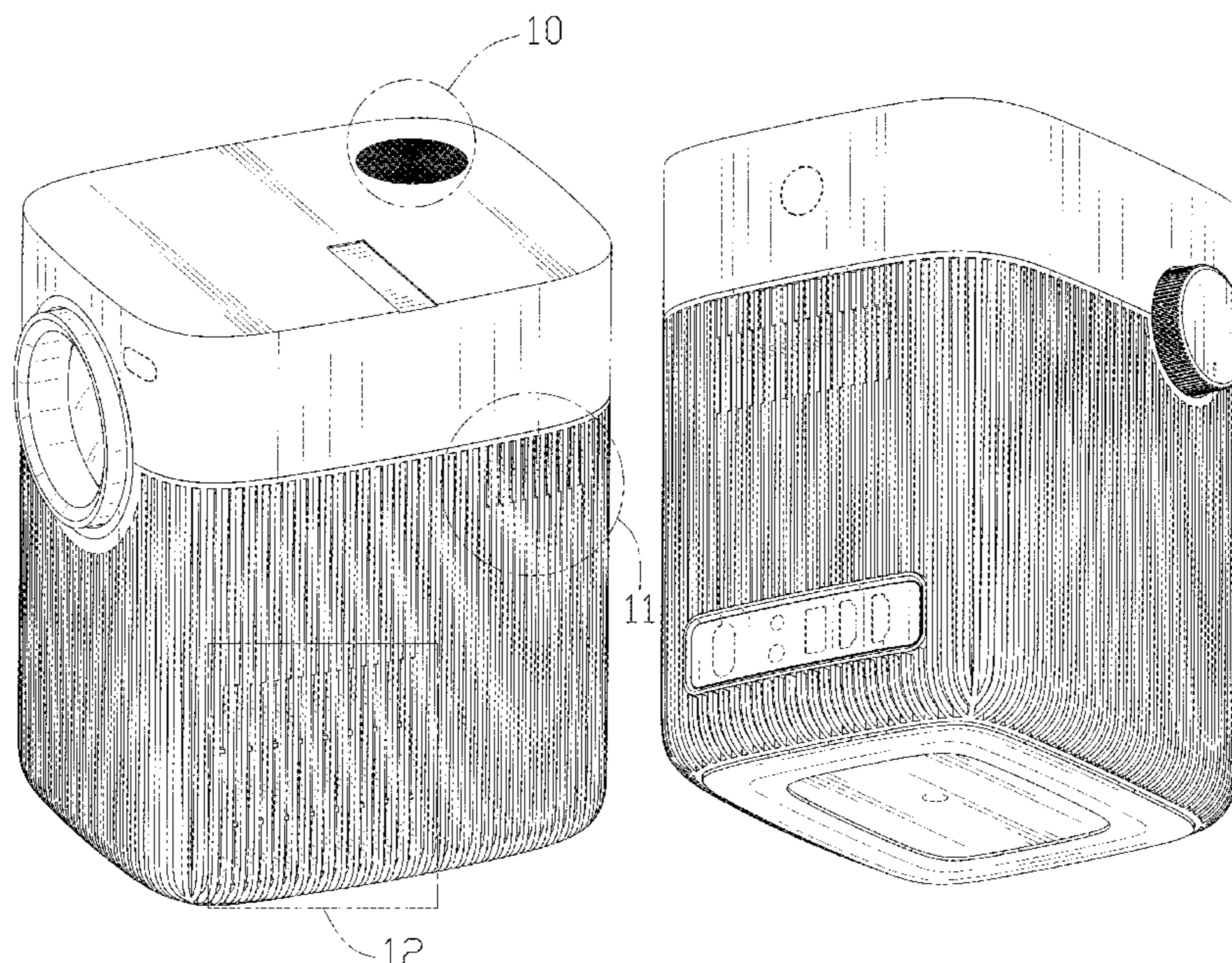
The ornamental design for a vertical projector, as shown and described.

DESCRIPTION

FIG. 1 is a front, right, top perspective view of a vertical projector showing our new design;
 FIG. 2 is a front, left, top perspective view thereof;
 FIG. 3 is a rear, left, bottom perspective view thereof;
 FIG. 4 is a front elevation view thereof;
 FIG. 5 is a rear elevation view thereof;
 FIG. 6 is a left side view thereof;
 FIG. 7 is a right side view thereof;
 FIG. 8 is a top view thereof;
 FIG. 9 is a bottom view thereof;
 FIG. 10 is an enlarged view of portion 10 of FIG. 1;
 FIG. 11 is an enlarged view of portion 11 of FIG. 1;
 FIG. 12 is an enlarged view of portion 12 of FIG. 1; and,
 FIG. 13 is an enlarged view of portion 13 of FIG. 2.
 The broken lines in the drawings are for the purpose of illustrating unclaimed portions of the vertical projector and form no part of the claimed design.

1 Claim, 13 Drawing Sheets

- (56) **References Cited**
U.S. PATENT DOCUMENTS
D680,572 S * 4/2013 Morohoshi D16/230
8,955,990 B2 * 2/2015 Morohoshi G03B 21/145
353/97
9,028,077 B2 * 5/2015 Morohoshi G03B 21/145
353/97
D817,381 S * 5/2018 Zhong D16/230



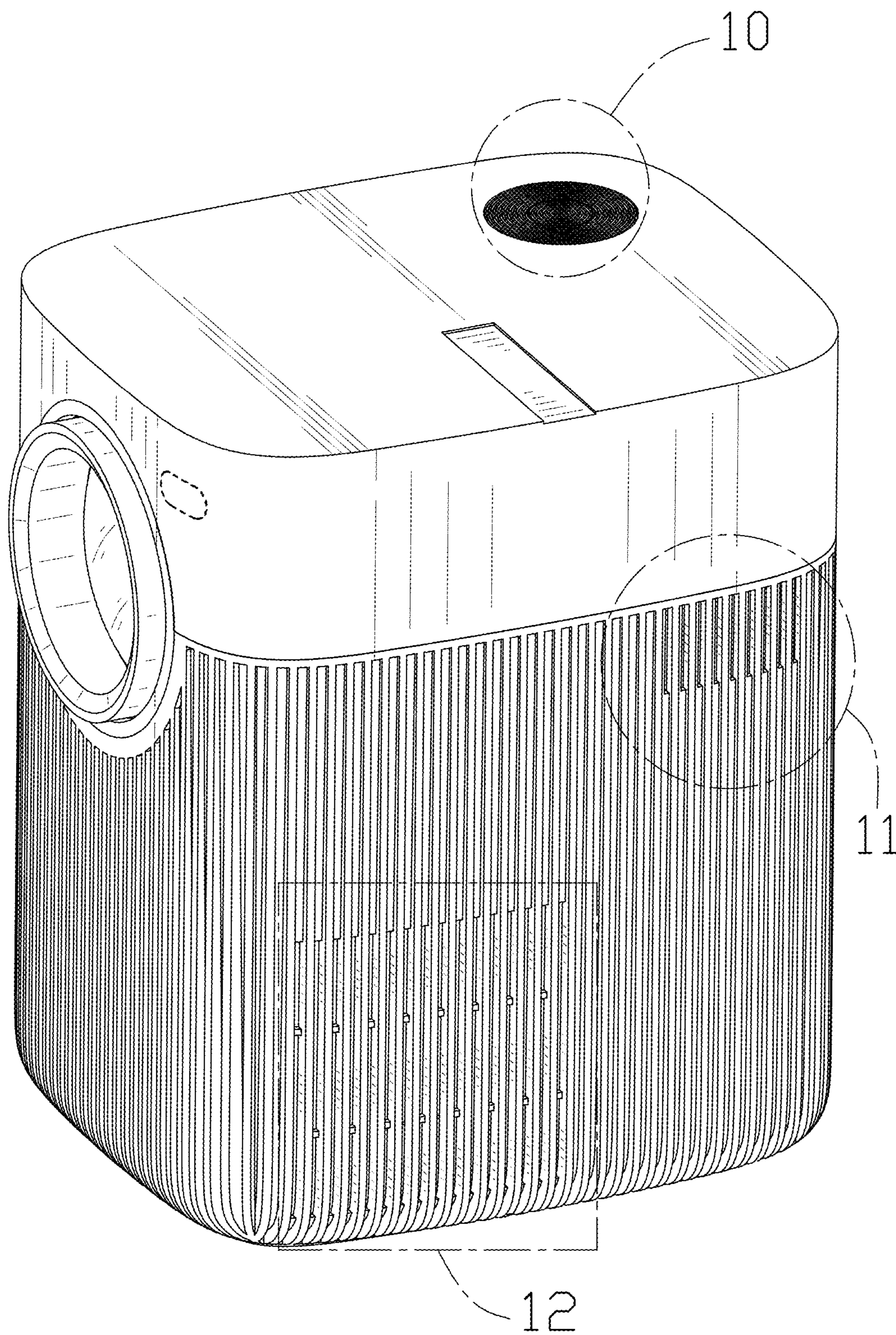


FIG. 1

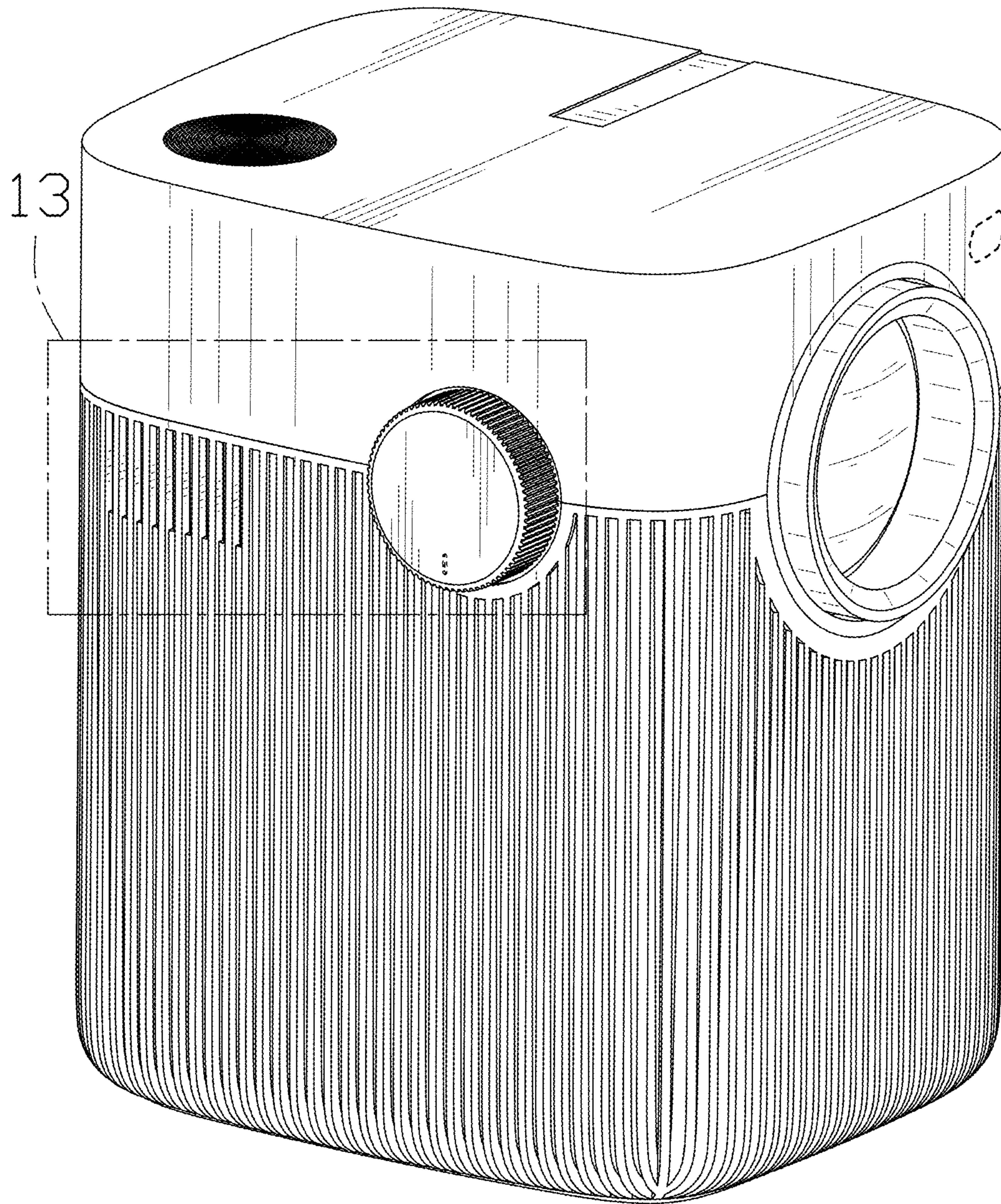


FIG. 2

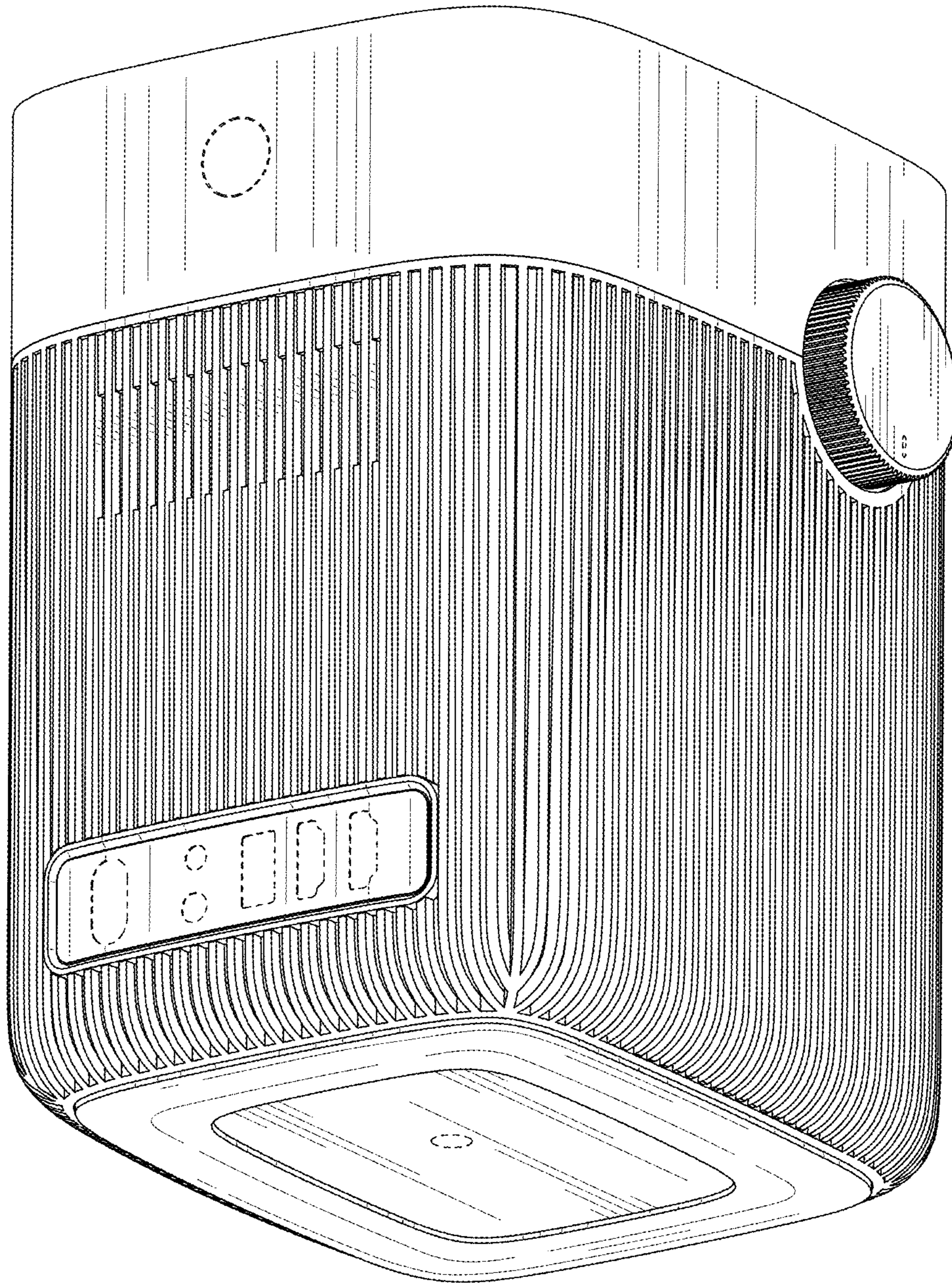


FIG. 3

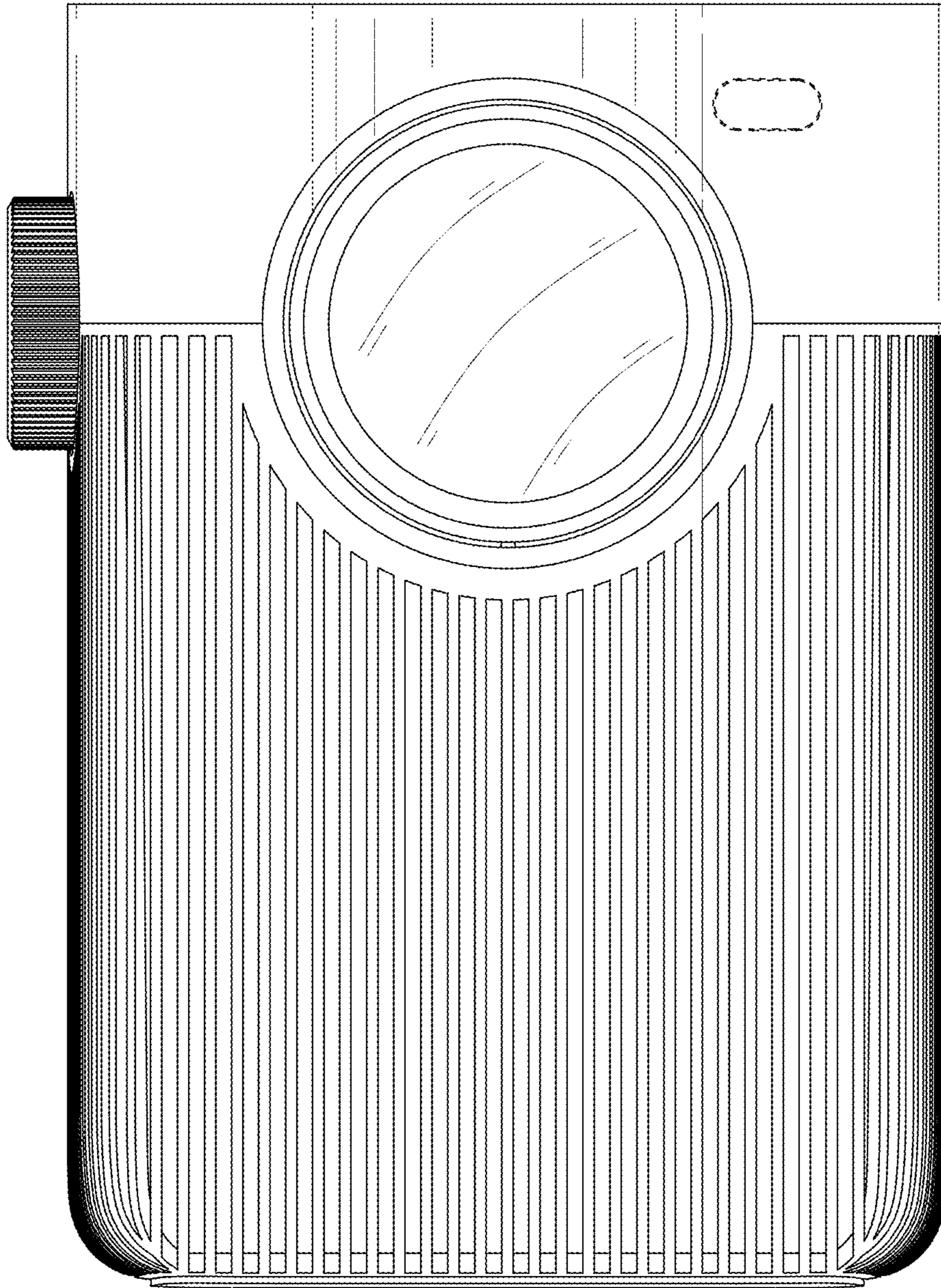


FIG. 4

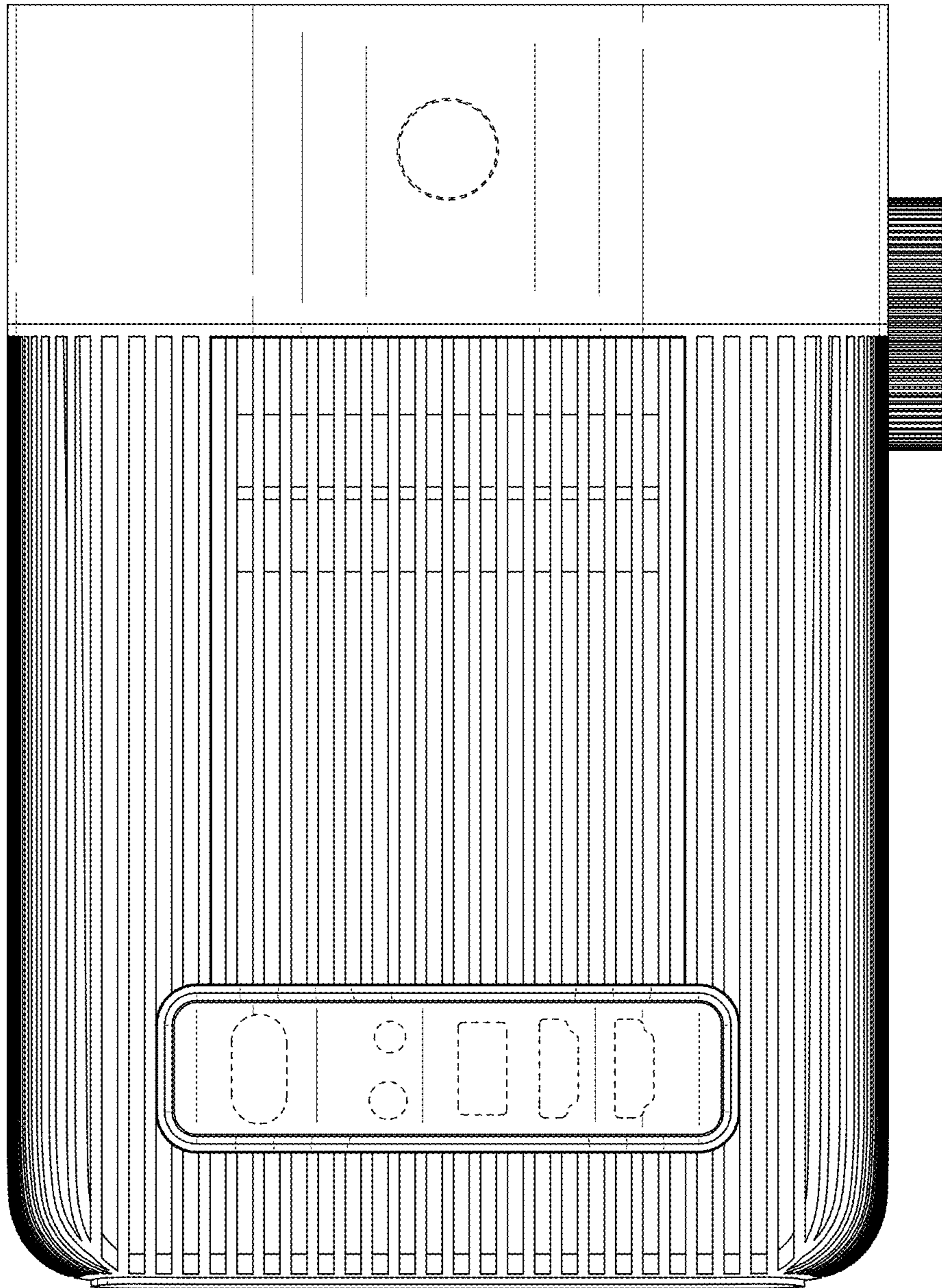


FIG. 5

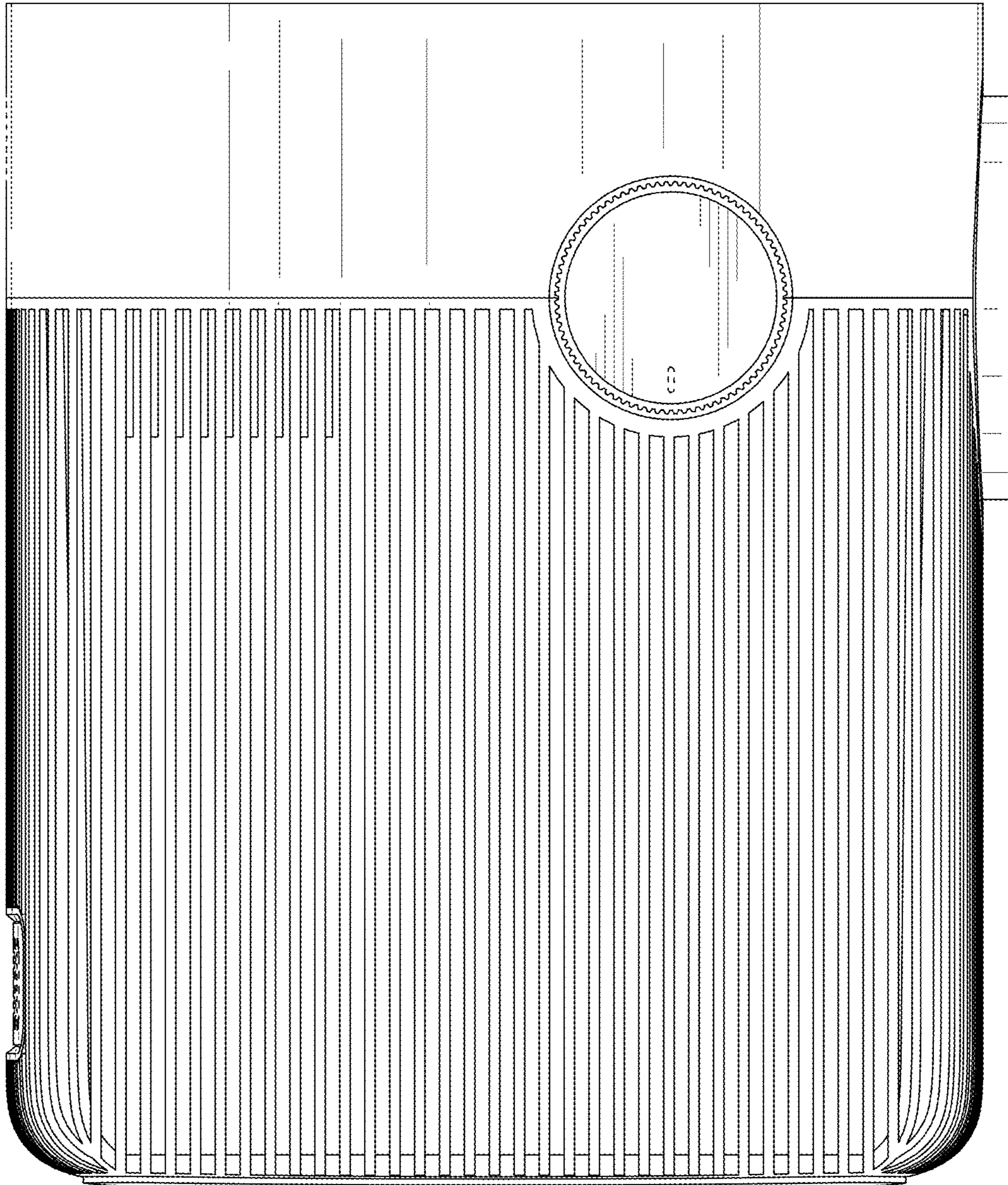


FIG. 6

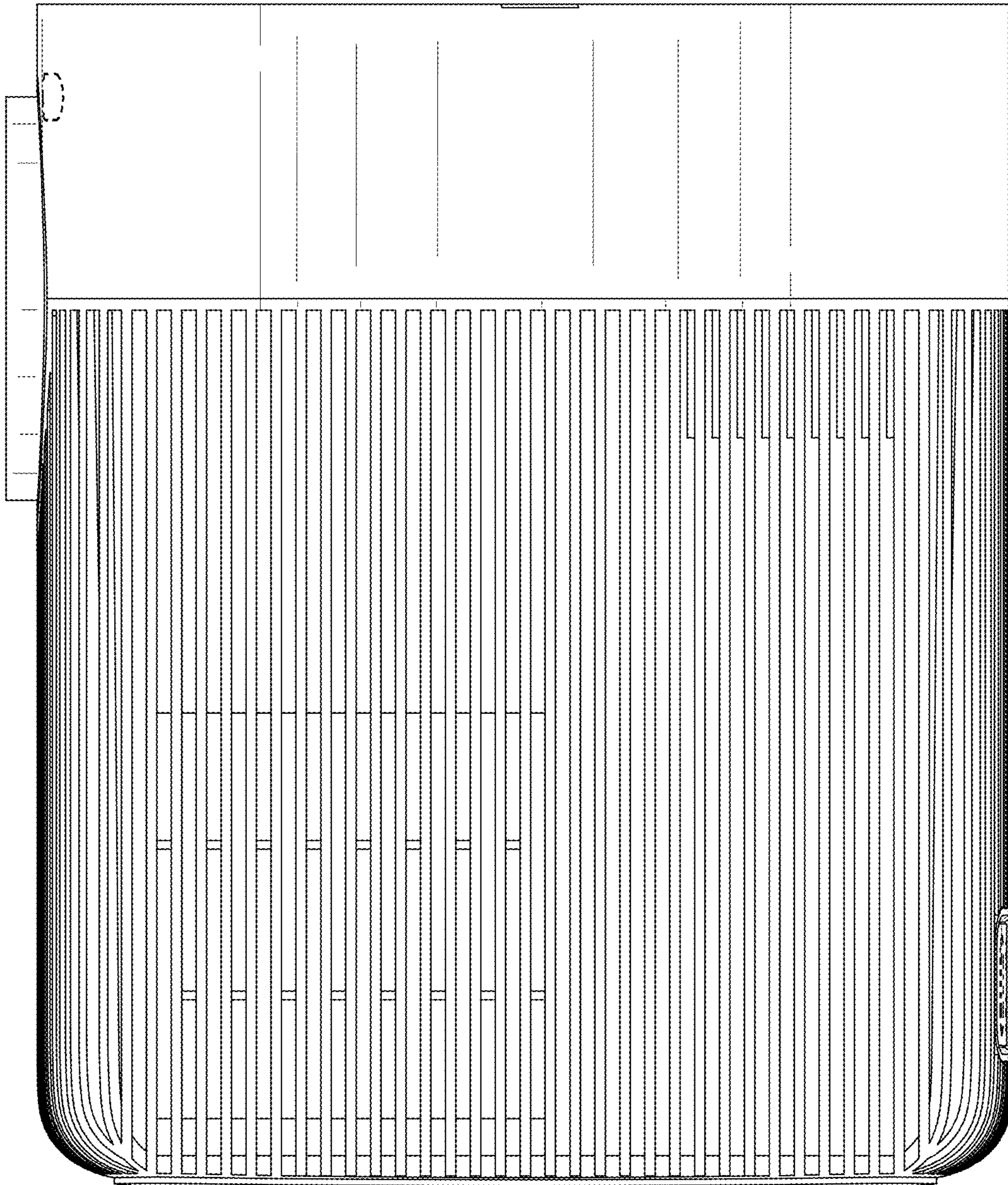


FIG. 7

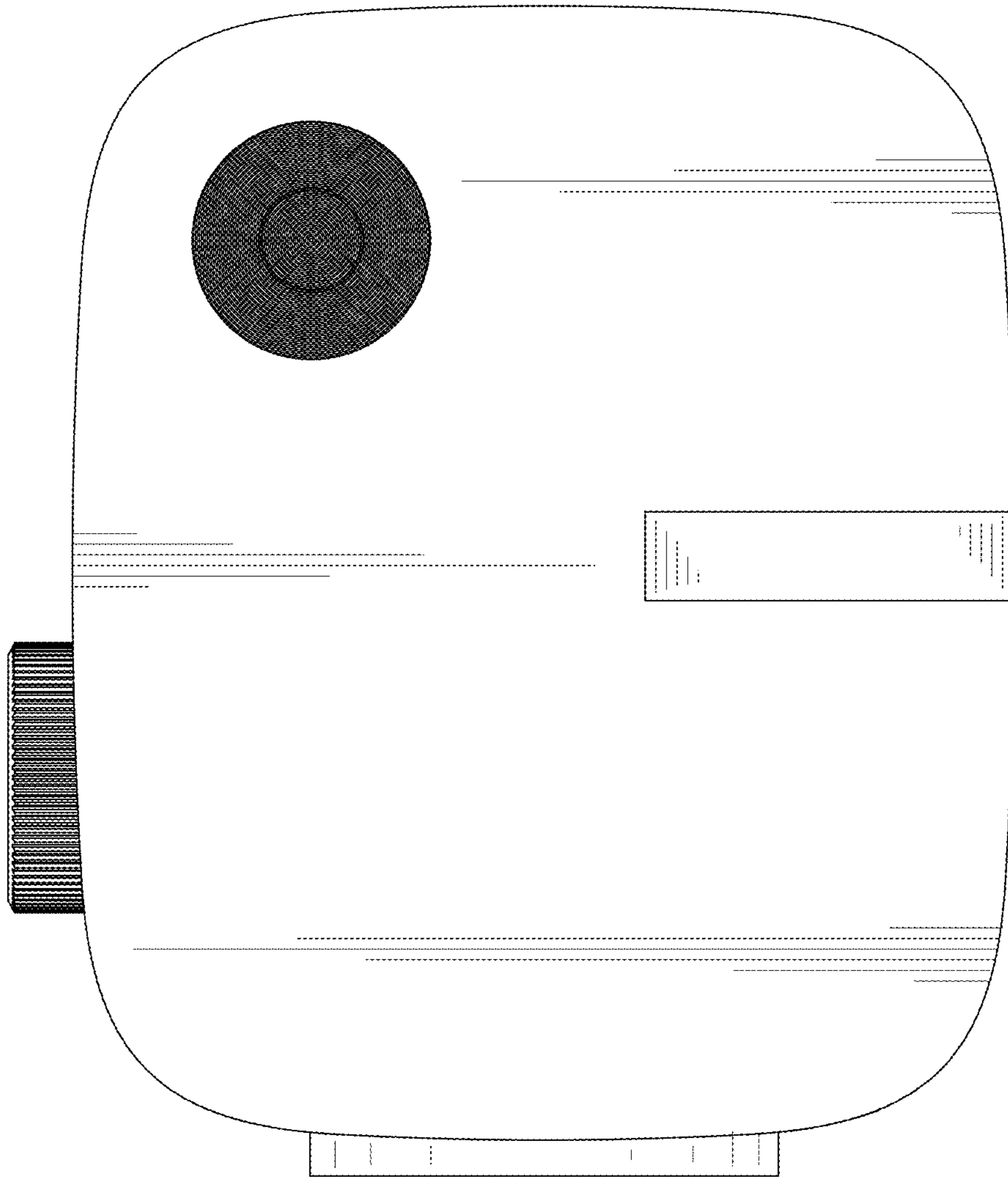


FIG. 8

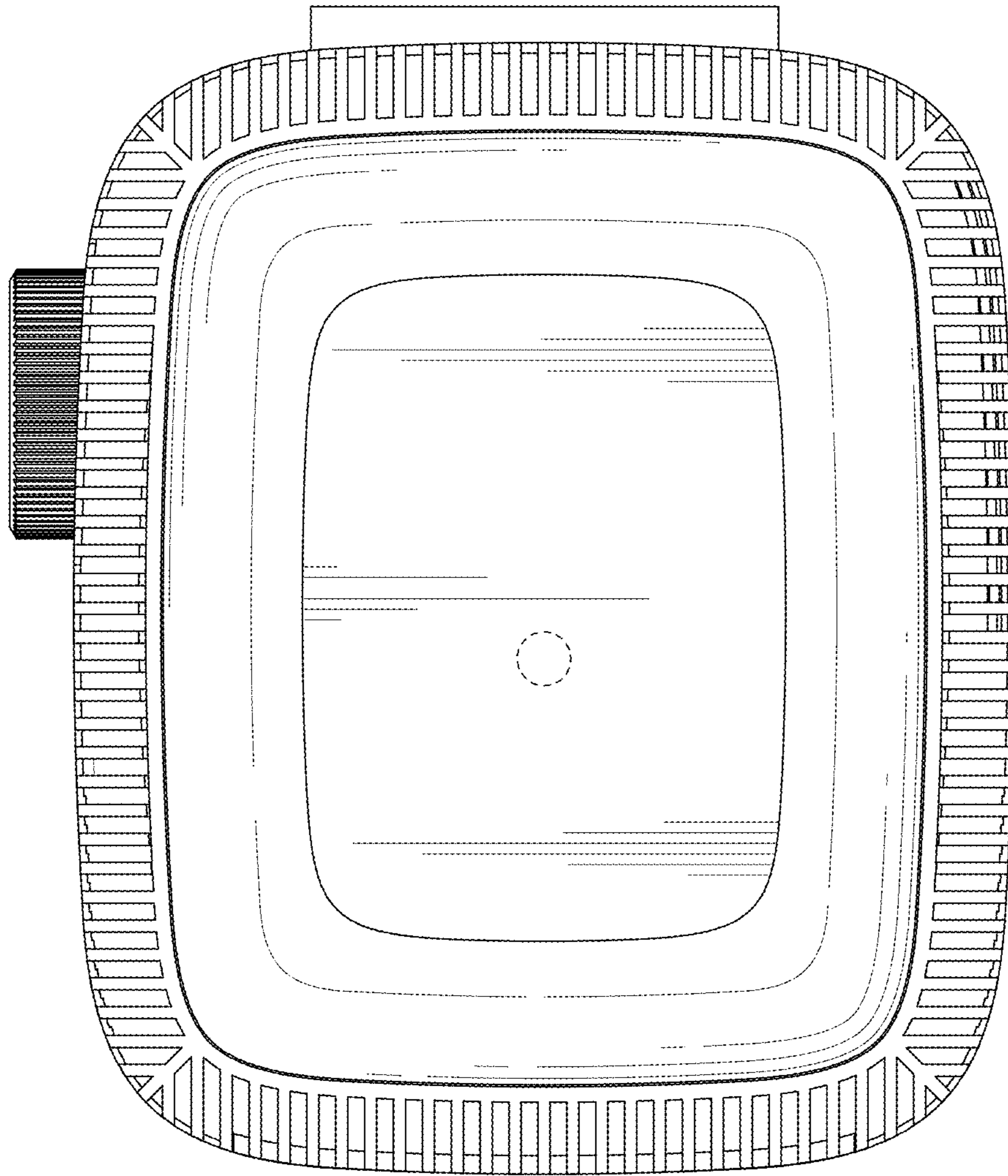


FIG. 9

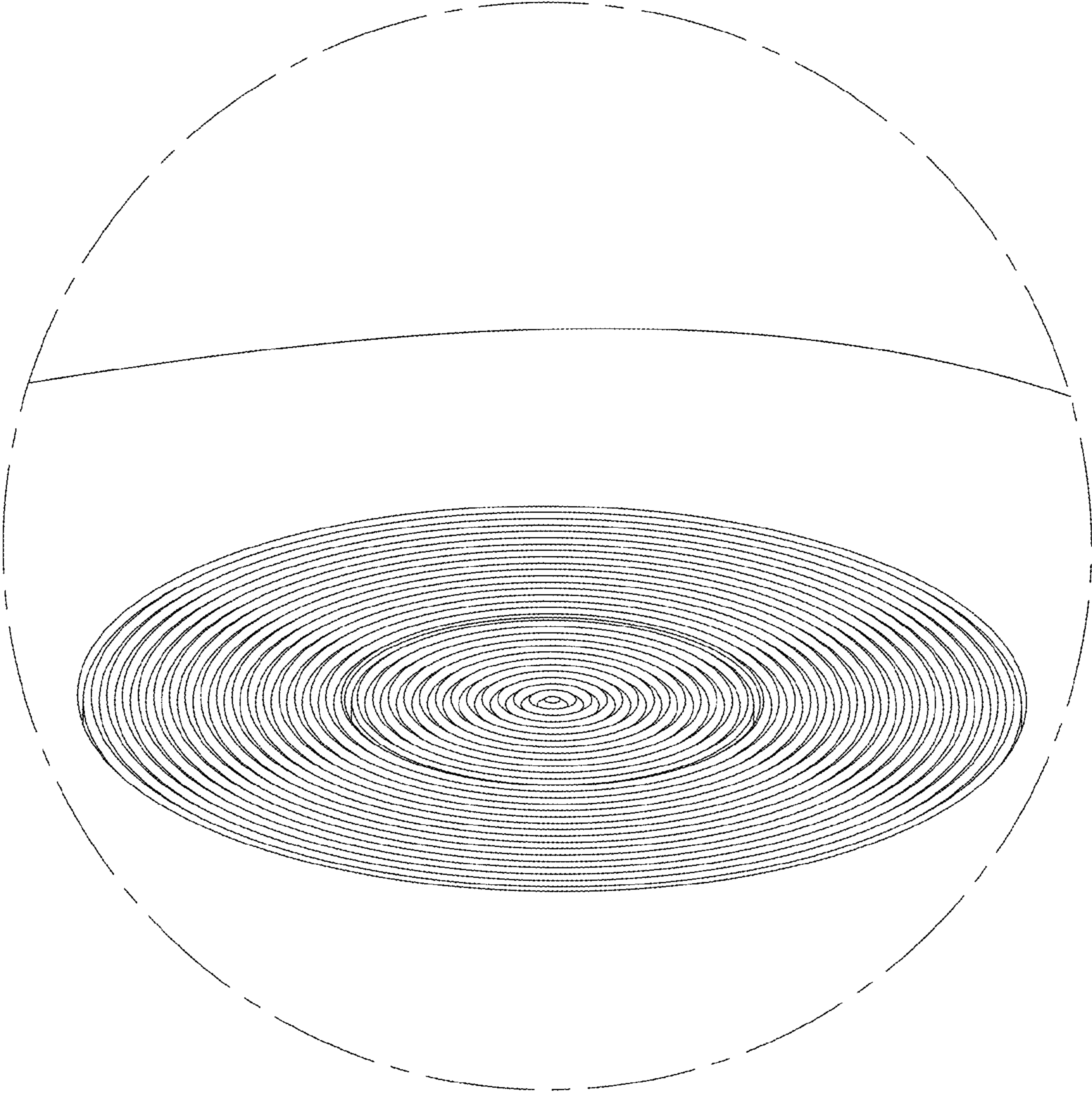


FIG. 10

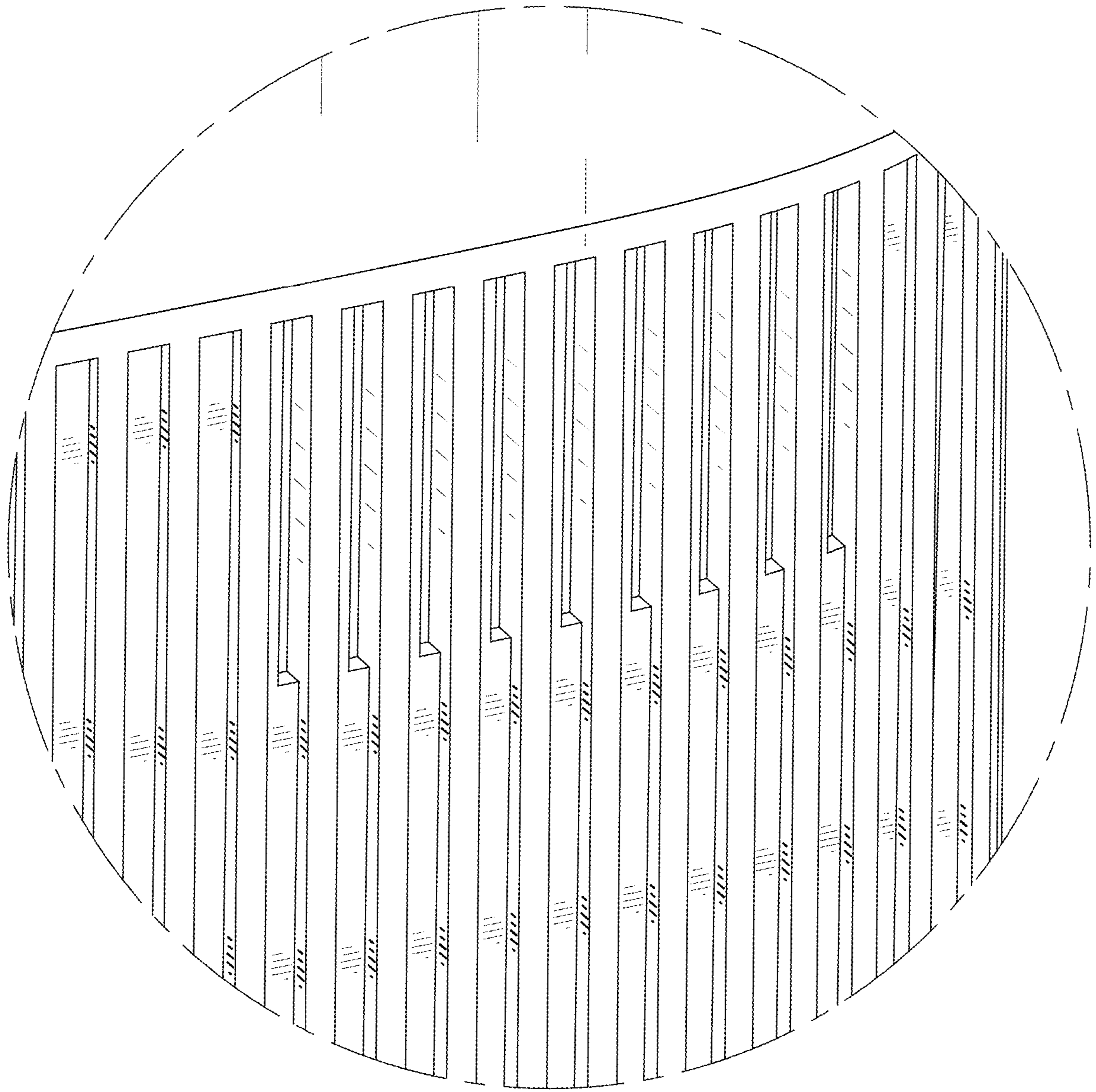


FIG. 11

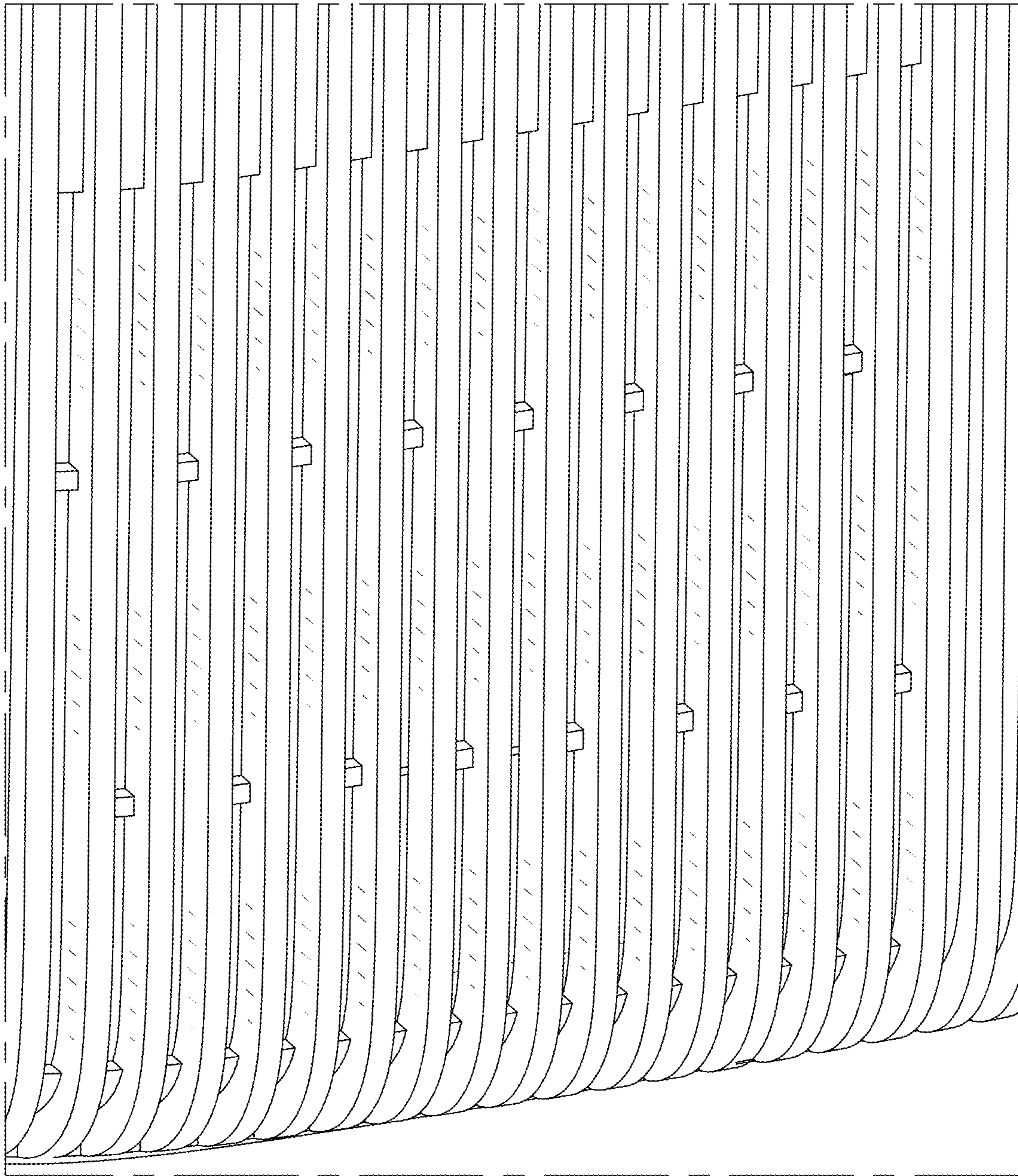


FIG. 12

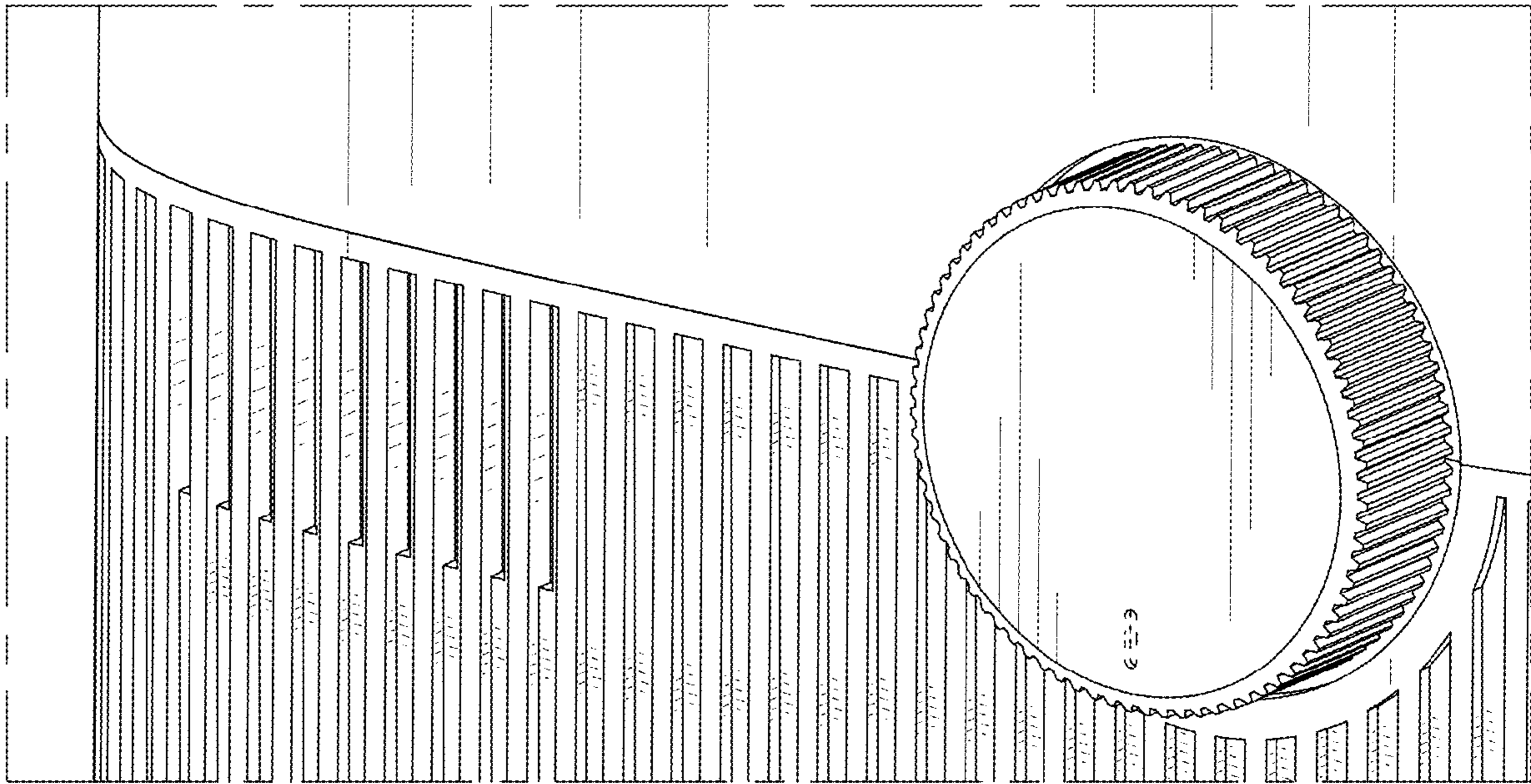


FIG. 13