



US00D957504S

(12) **United States Design Patent**
Imamizu et al.

(10) **Patent No.:** **US D957,504 S**
(45) **Date of Patent:** **** Jul. 12, 2022**

(54) **CAMERA LENS**

- (71) Applicant: **Nikon Corporation**, Tokyo (JP)
- (72) Inventors: **Makoto Imamizu**, Yokohama (JP);
Yutaka Nikaido, Kamakura (JP)
- (73) Assignee: **Nikon Corporation**, Tokyo (JP)
- (**) Term: **15 Years**
- (21) Appl. No.: **29/812,778**
- (22) Filed: **Oct. 25, 2021**

Related U.S. Application Data

- (63) Continuation of application No. 29/690,922, filed on May 13, 2019, now Pat. No. Des. 934,329.
- (51) **LOC (13) Cl.** **16-05**
- (52) **U.S. Cl.**
USPC **D16/219**
- (58) **Field of Classification Search**
USPC D16/134, 136, 200, 202–205, 218, 219,
D16/235; 348/373–376; 359/826–828;
396/529–532, 535, 539–541
(Continued)

(56) **References Cited**

U.S. PATENT DOCUMENTS

- D337,775 S * 7/1993 Takahashi D16/134
 - D412,922 S * 8/1999 Sekine D16/134
- (Continued)

FOREIGN PATENT DOCUMENTS

- JP D1293312 S 2/2007
 - JP D1293871 S 2/2007
- (Continued)

OTHER PUBLICATIONS

U.S. Appl. No. 29/690,922, filed May 13, 2019, Imamizu et al.
(Continued)

Primary Examiner — Ramzi Almatrahi
(74) *Attorney, Agent, or Firm* — Wolf, Greenfield & Sacks, P.C.

(57) **CLAIM**

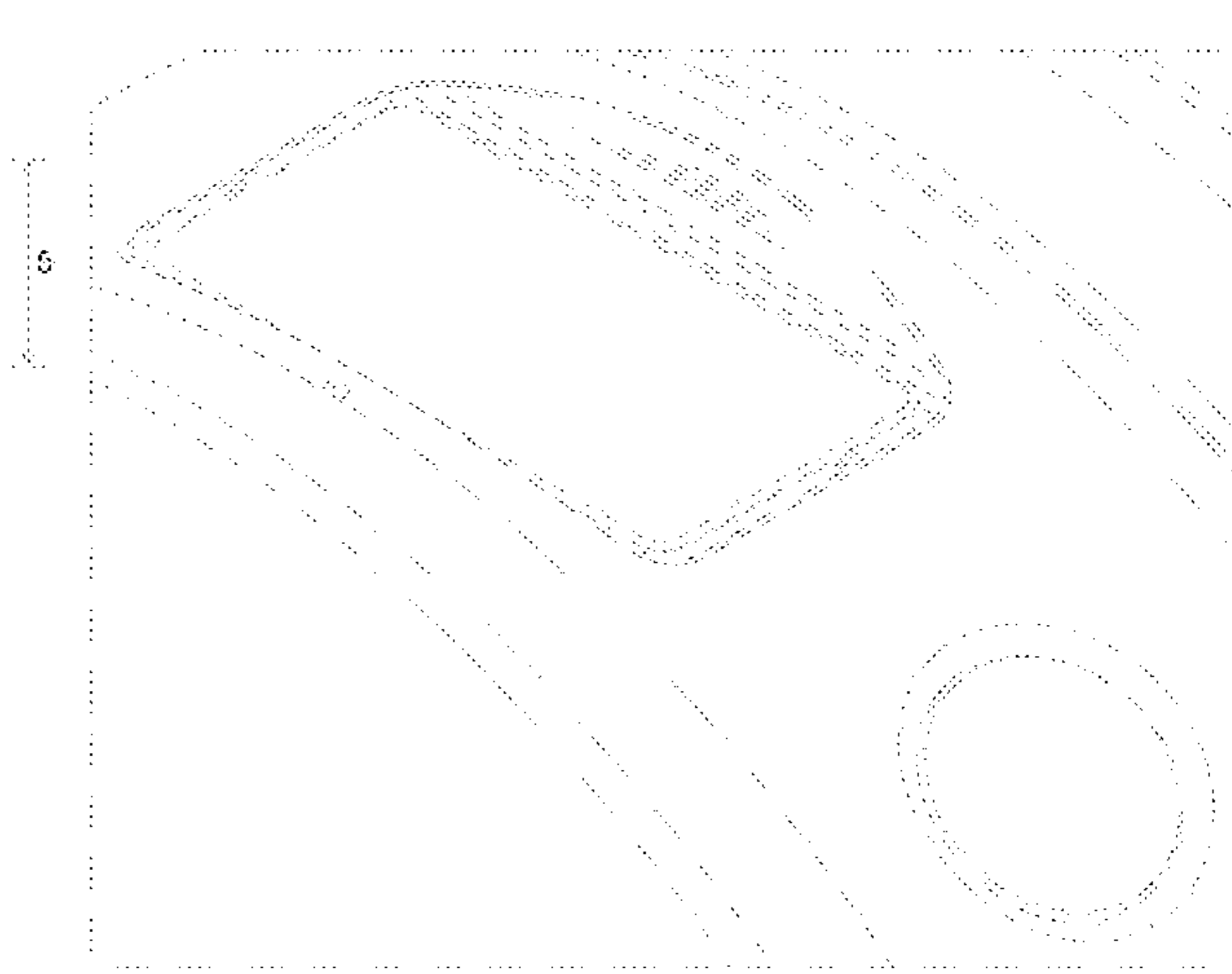
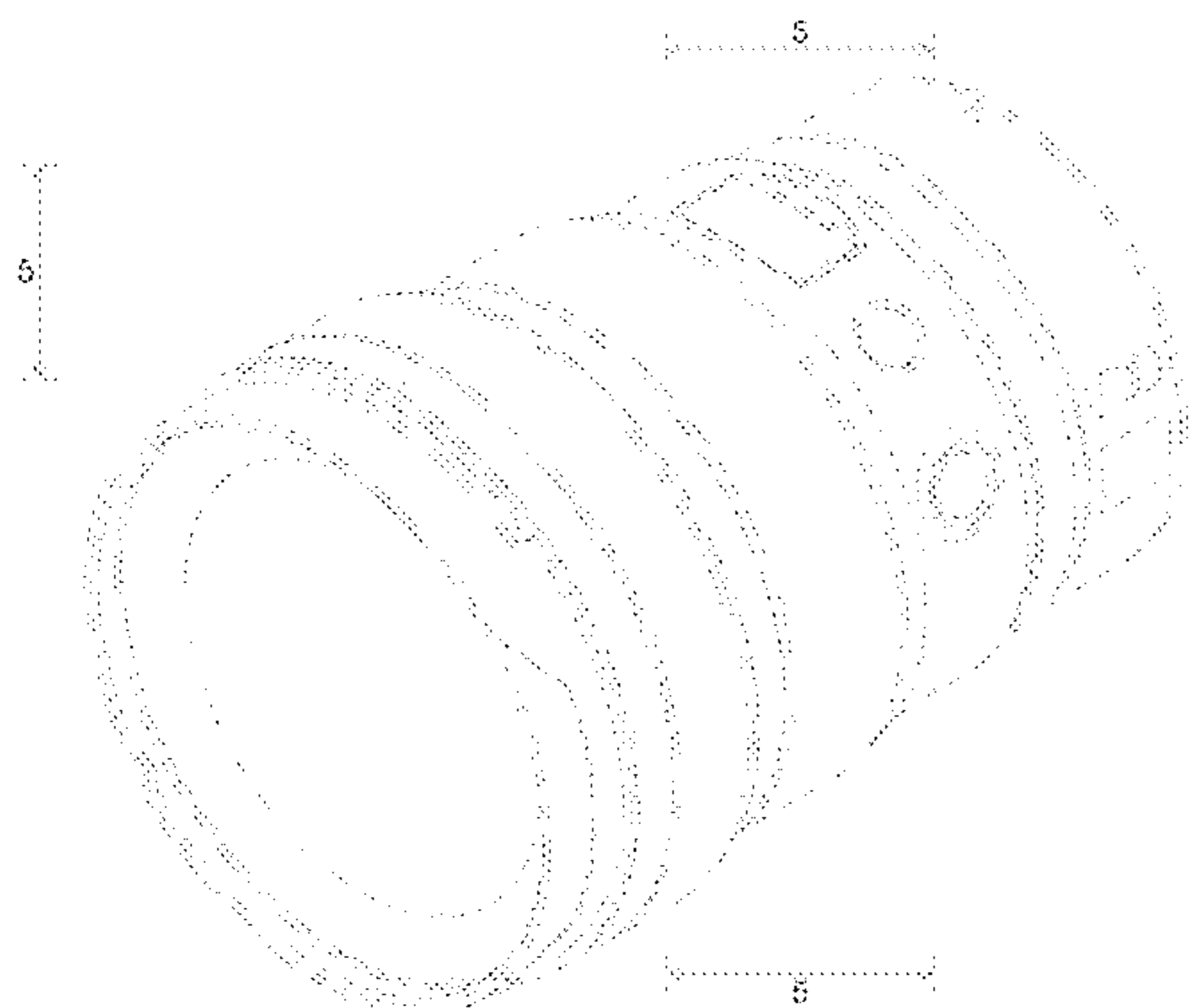
The ornamental design for a camera lens, as shown and described.

DESCRIPTION

FIG. 1 is a front, top and left side perspective view of a first embodiment of a camera lens showing our new design; FIG. 2 is a front view thereof; FIG. 3 is a rear view thereof; FIG. 4 is a top plan view thereof; FIG. 5 is an enlarged view of the portion indicated by lines 5-5 in FIG. 1; FIG. 6 is an enlarged view of the portion indicated by lines 6-6 in FIG. 2; FIG. 7 is an enlarged view of the portion indicated by lines 7-7 in FIG. 4; FIG. 8 is a front, top and left side perspective view of a second embodiment of a camera lens showing our new design; FIG. 9 is a front view thereof; FIG. 10 is a rear view thereof; FIG. 11 is a top plan view thereof; FIG. 12 is an enlarged view of the portion indicated by lines 12-12 in FIG. 8; FIG. 13 is an enlarged view of the portion indicated by lines 13-13 in FIG. 9; and, FIG. 14 is an enlarged view of the portion indicated by lines 14-14 in FIG. 11.

The broken lines depict portions of the camera lens in which the design is embodied that form no part of the claimed design.

1 Claim, 14 Drawing Sheets



(58) **Field of Classification Search**

CPC G03B 17/02; G03B 19/04; G03B 17/56;
G03B 17/04; G03B 15/03; G03B 17/14;
H04N 5/2251; H04N 5/2252; H04N
5/2253; H04N 5/2254; G02B 7/02; G02B
7/04; G02B 7/14

See application file for complete search history.

D783,700 S * 4/2017 Tagawa D16/219
D794,107 S * 8/2017 Tagawa D16/219
D867,430 S 11/2019 Ikegame
D868,134 S 11/2019 Kamei
D882,668 S 4/2020 Ikegame
D886,179 S 6/2020 Moller
D908,162 S 1/2021 Yoon

(56)

References Cited

U.S. PATENT DOCUMENTS

D562,862 S 2/2008 Yasutomi
D562,864 S 2/2008 Yasutomi
D562,865 S 2/2008 Yasutomi
D573,167 S * 7/2008 Kitera D16/134
D713,870 S 9/2014 Li
D717,356 S 11/2014 Nikaido
D718,362 S * 11/2014 Noh D16/219
D743,471 S * 11/2015 Oh D16/134
D744,024 S 11/2015 Oh
D744,025 S 11/2015 Oh
D750,689 S 3/2016 Oh

FOREIGN PATENT DOCUMENTS

JP D1293872 S 2/2007
JP D1518815 S 3/2015
JP D1546624 S 3/2016
JP D1568571 S 2/2017

OTHER PUBLICATIONS

[No Author Listed], Carl Zeiss Batis 25 mm f/2 review—Build quality—LensTip.com from a webpage posted on Sep. 15, 2016. 5 pages. https://www.lensip.com/485.3-Lens_review-Carl_Zeiss_Batis_25_mm_f_2_Build_quality.html [last accessed Apr. 23, 2019].

* cited by examiner

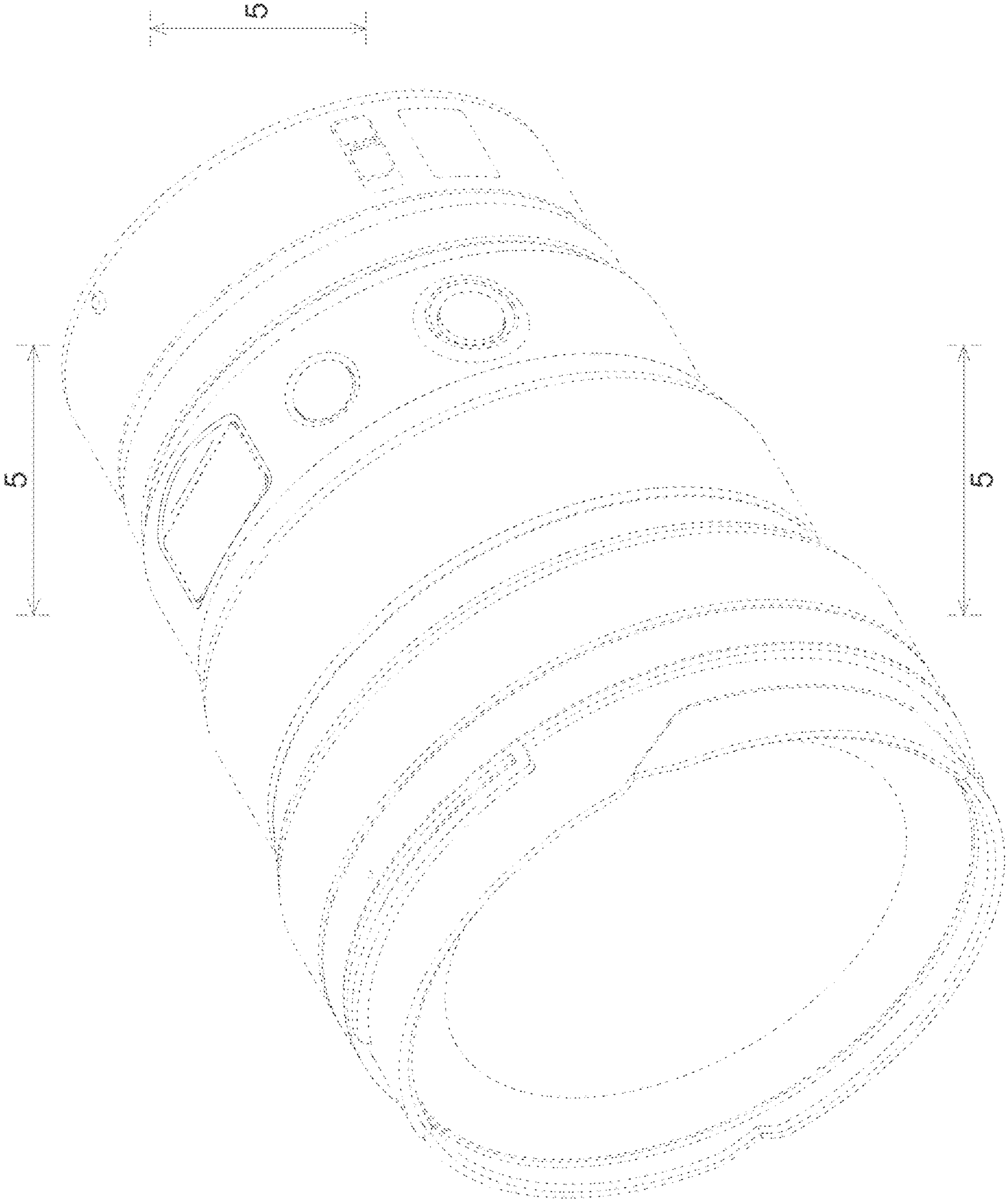


FIG. 1

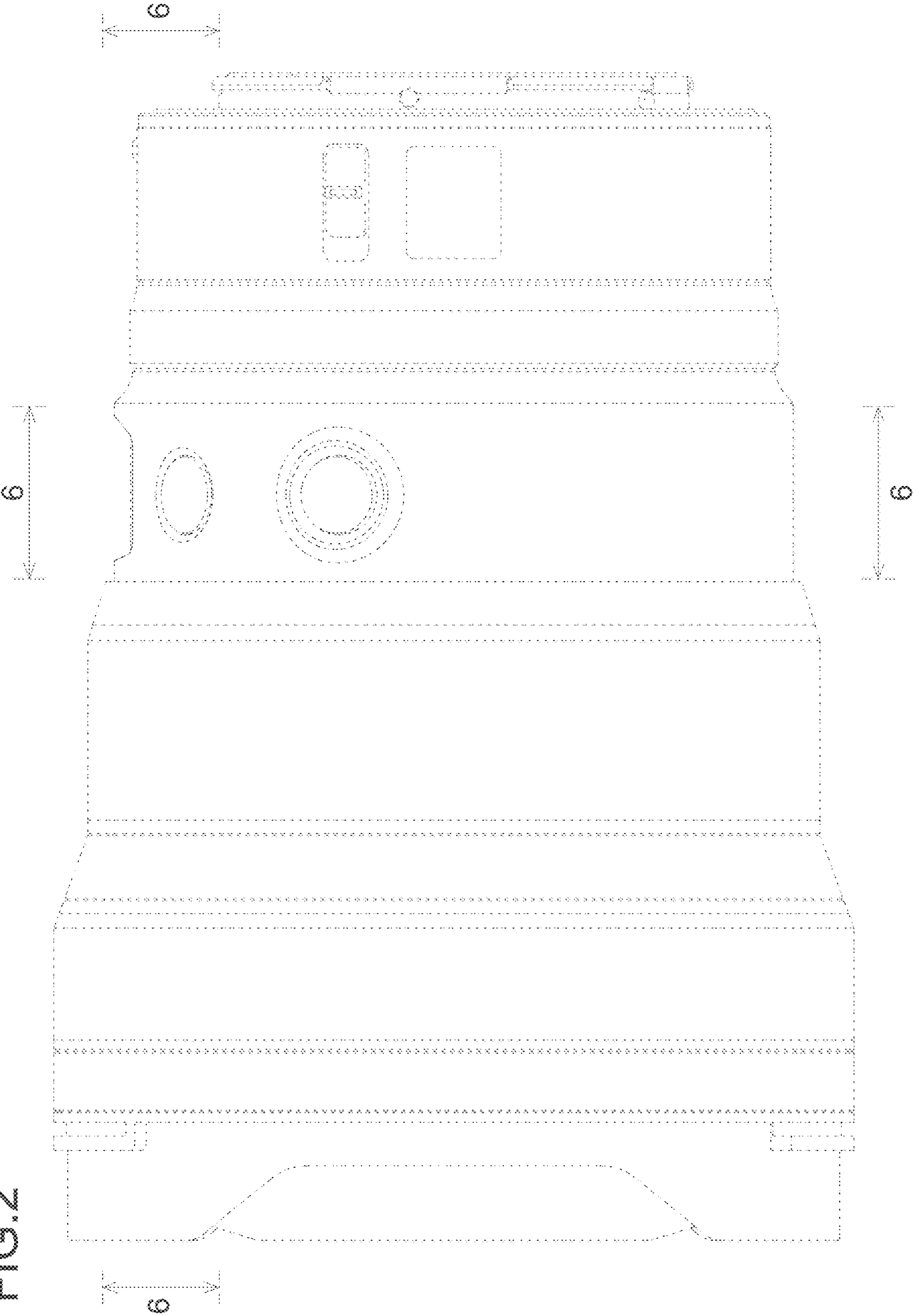


FIG. 2

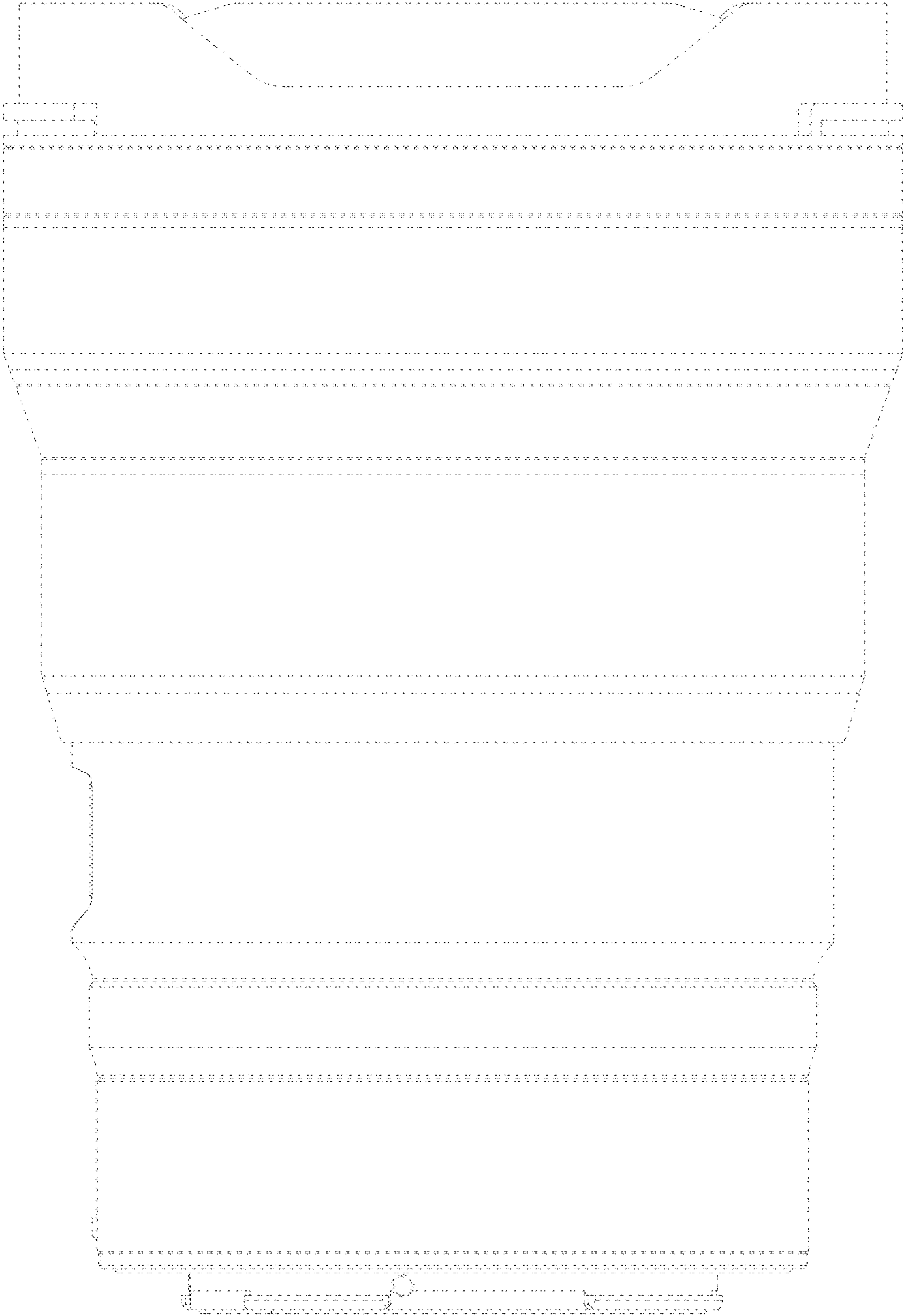
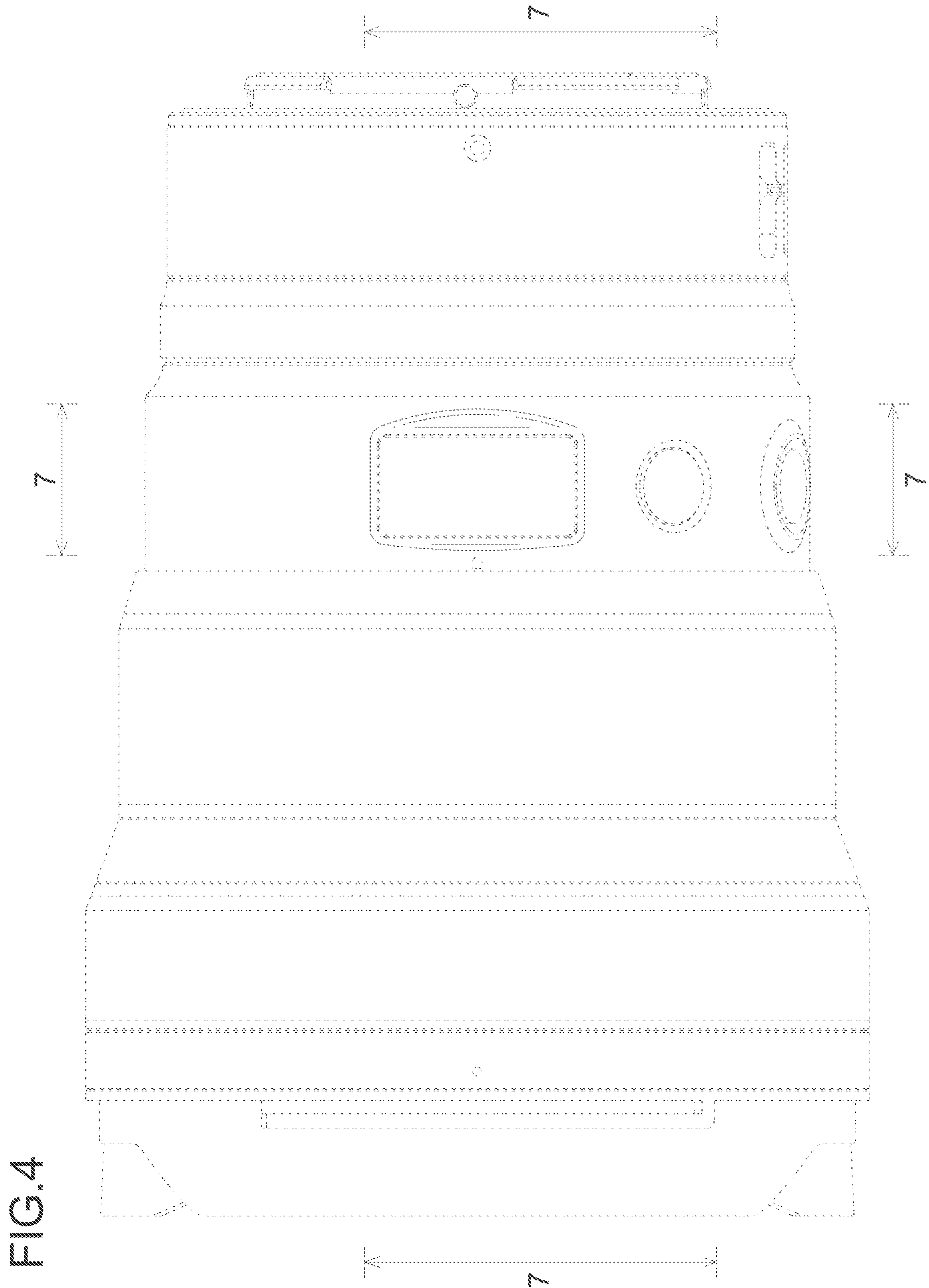


FIG. 3



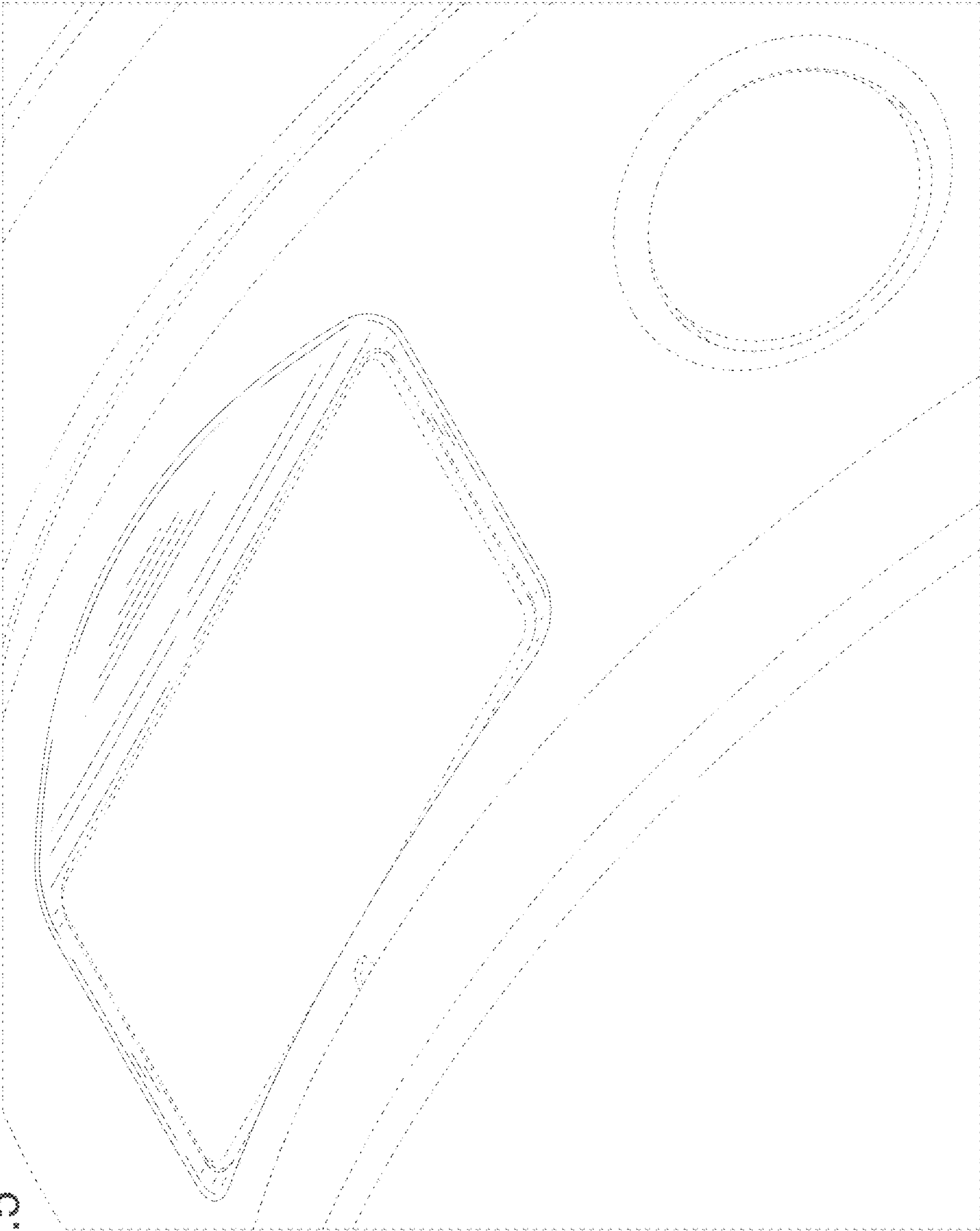


FIG. 5

FIG.6

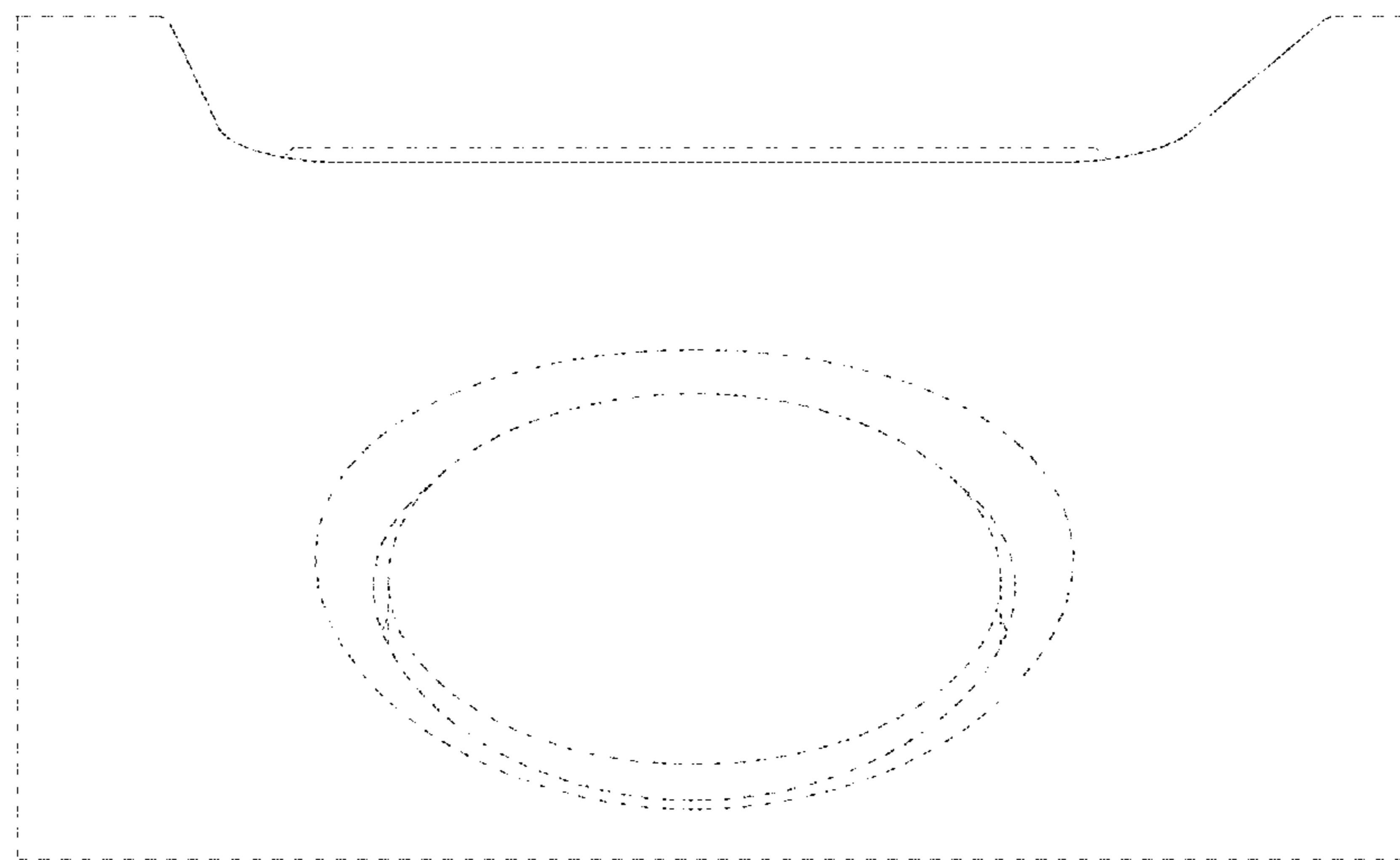
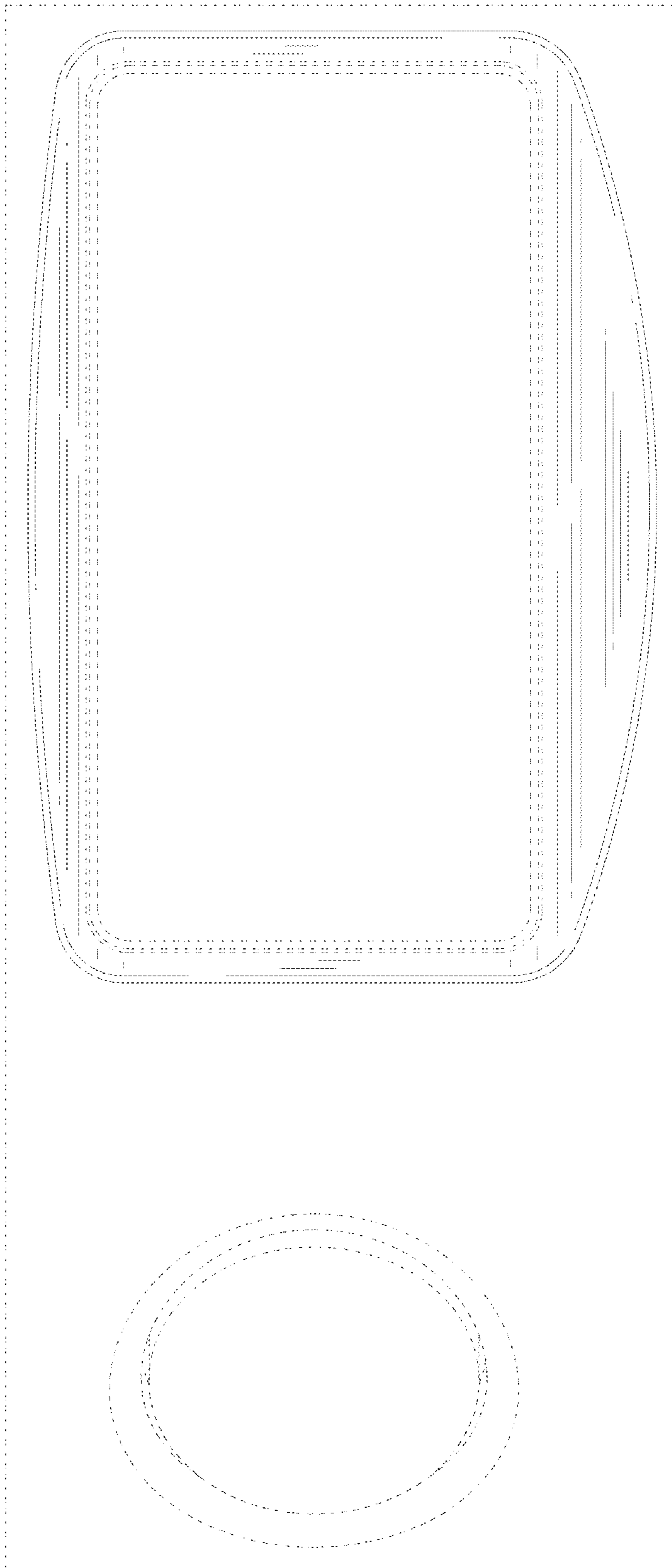


FIG. 7



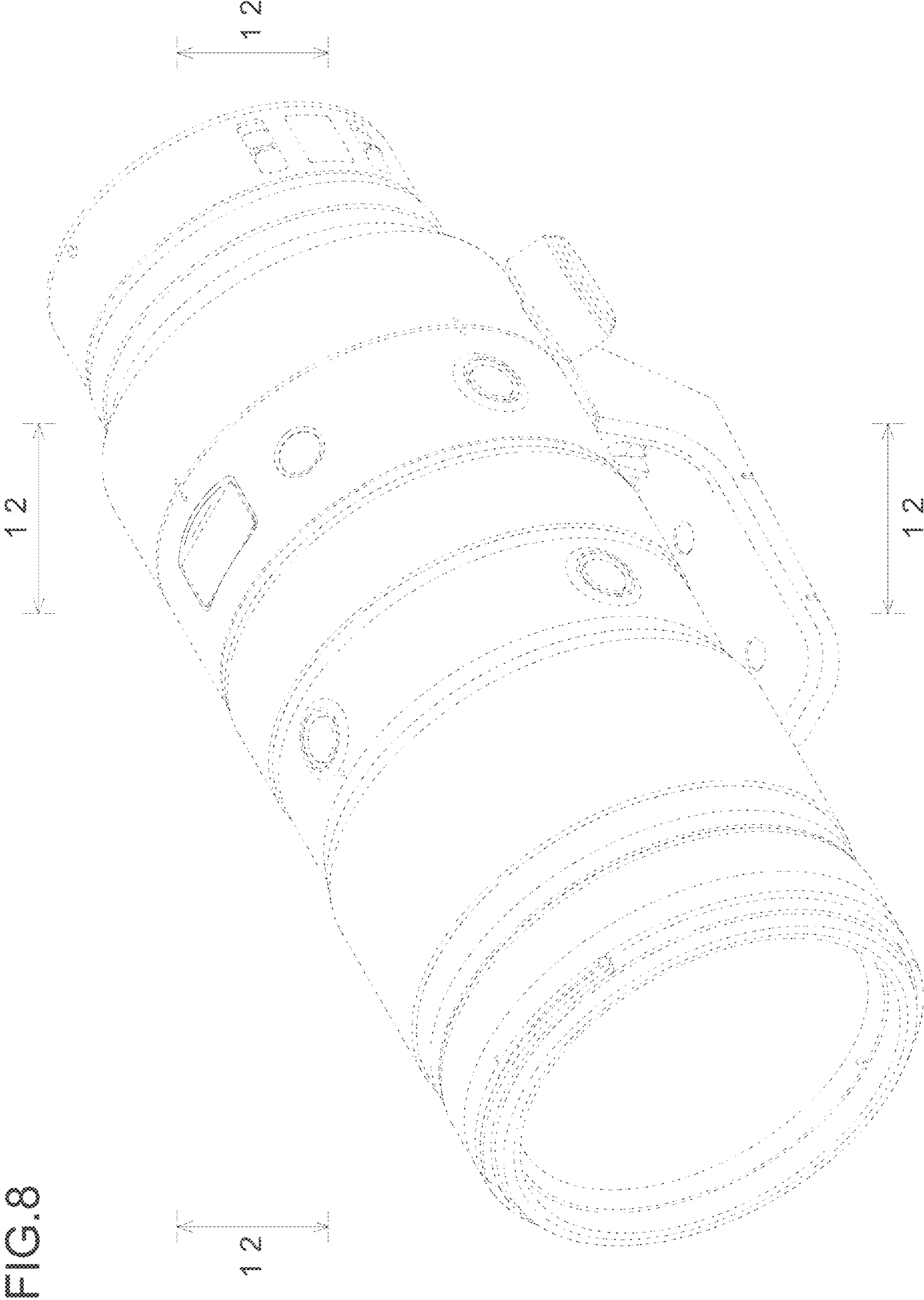
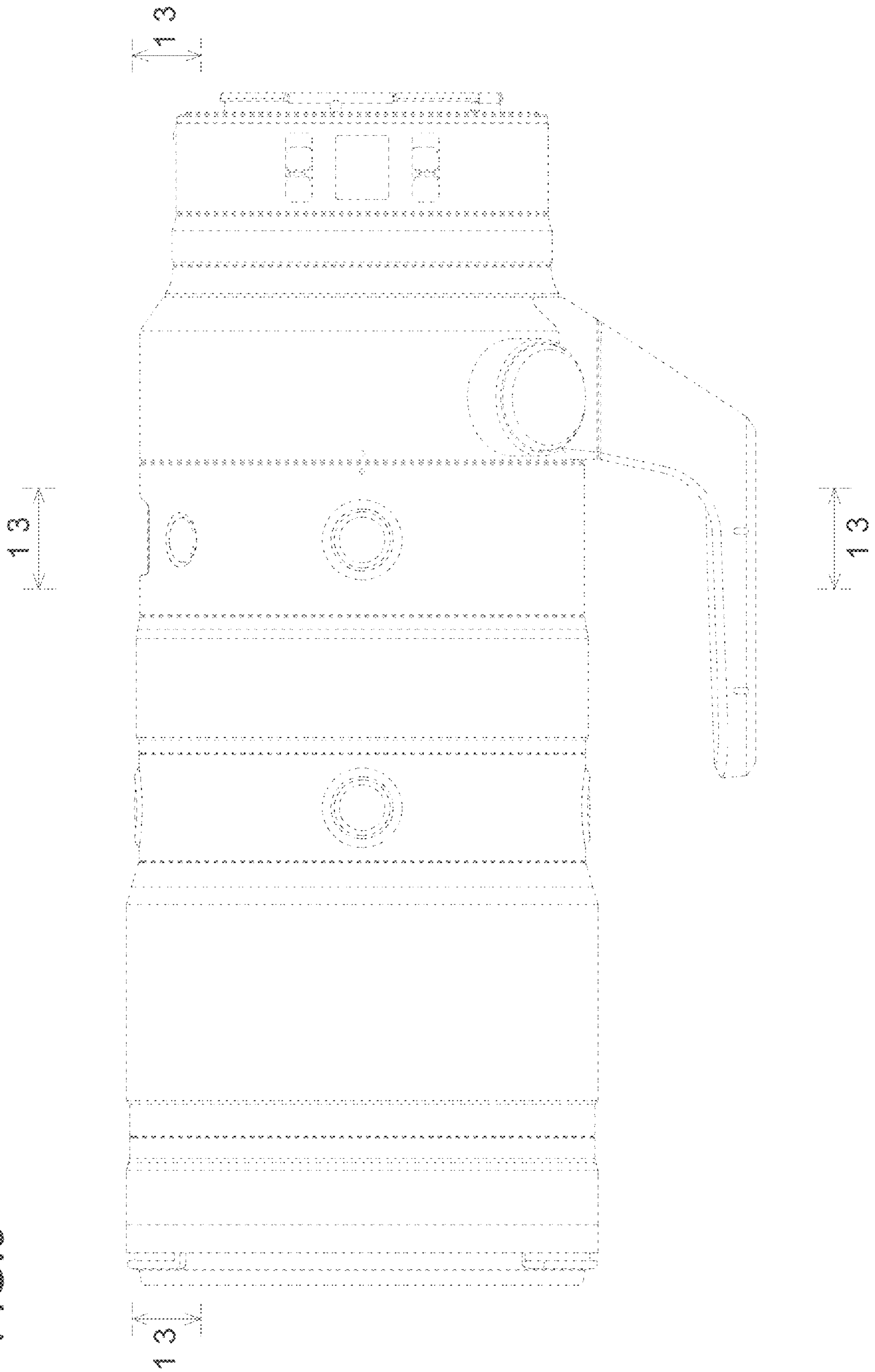


FIG. 9



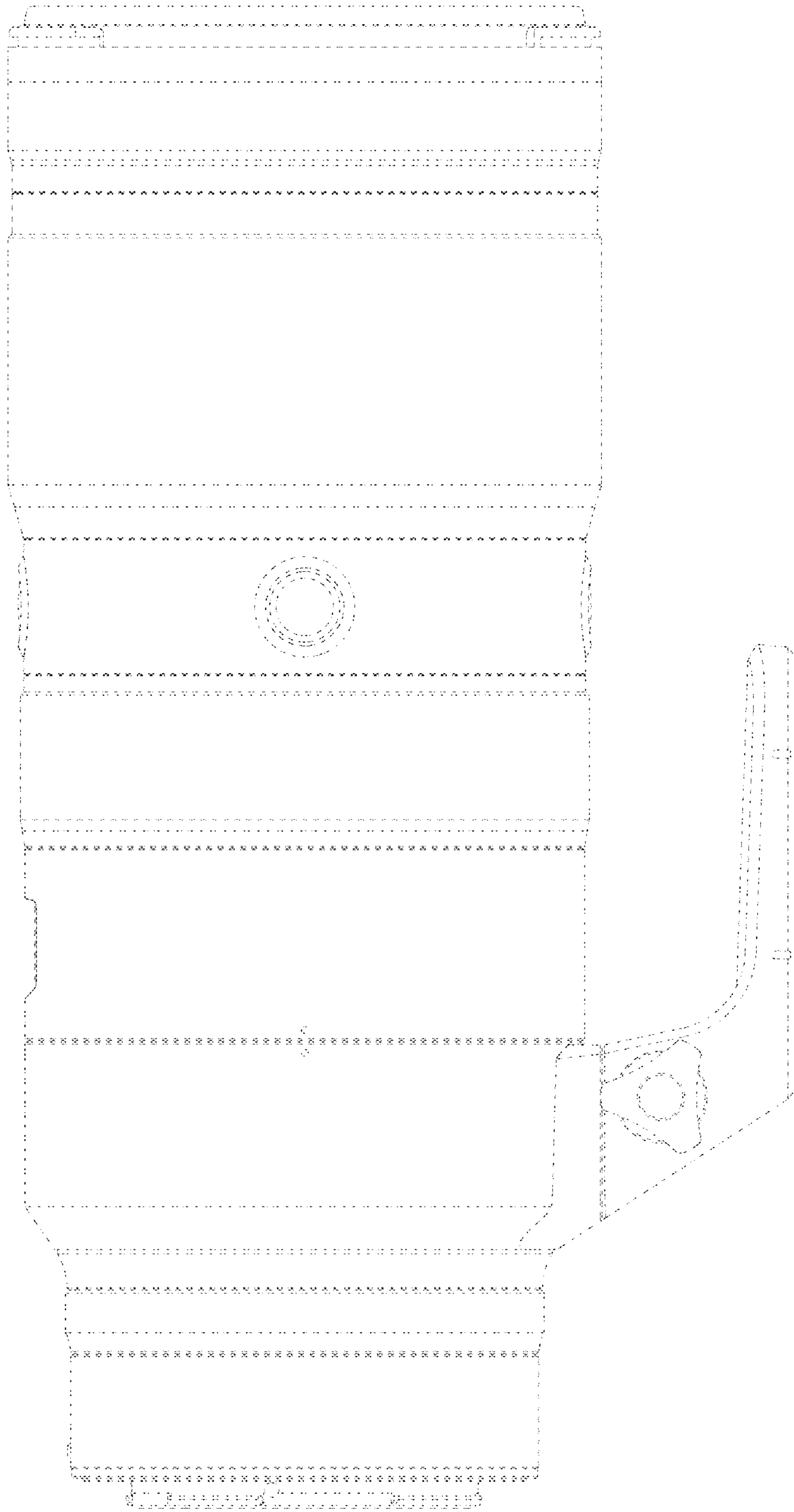


FIG. 10

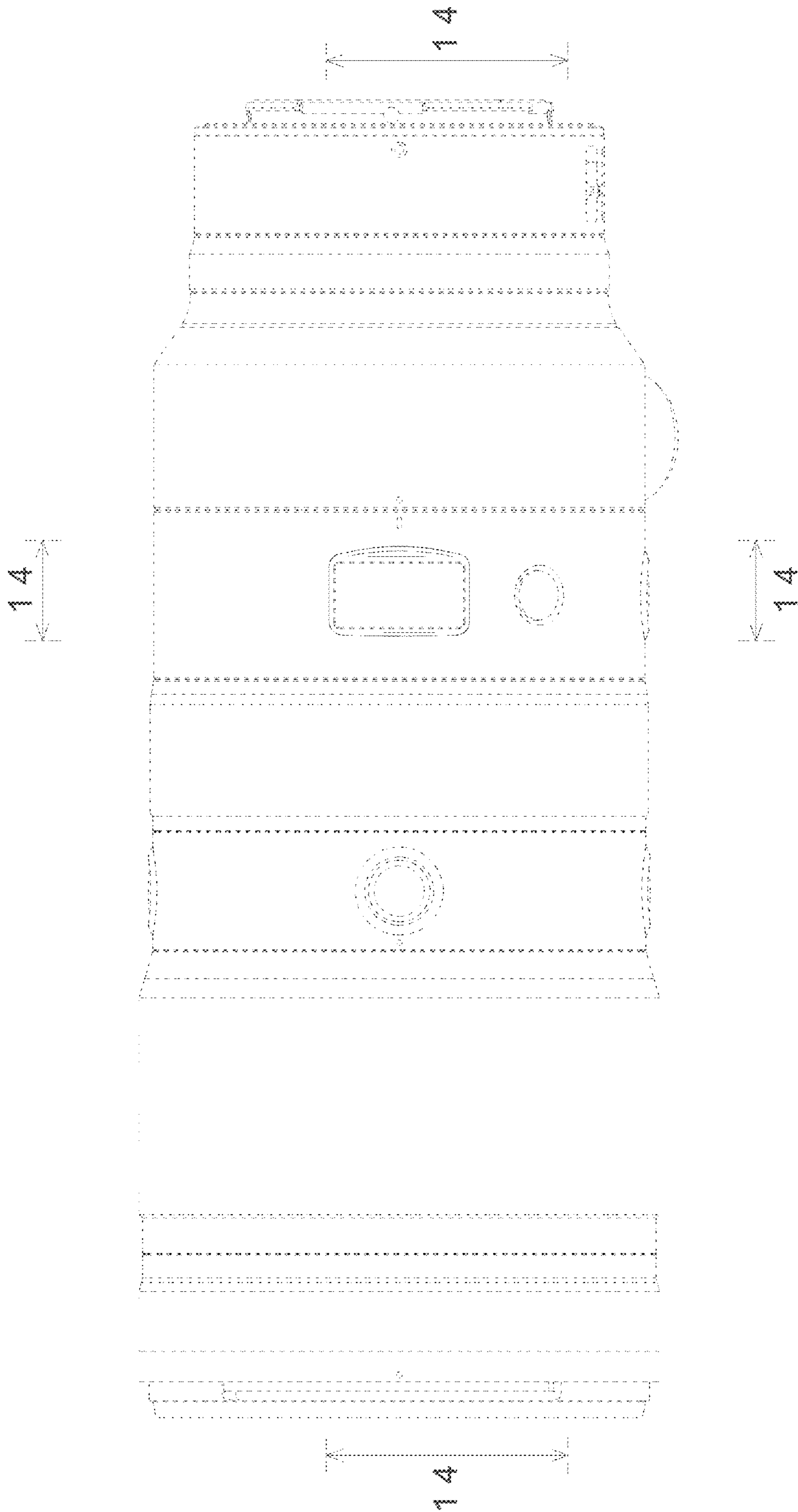


FIG. 11

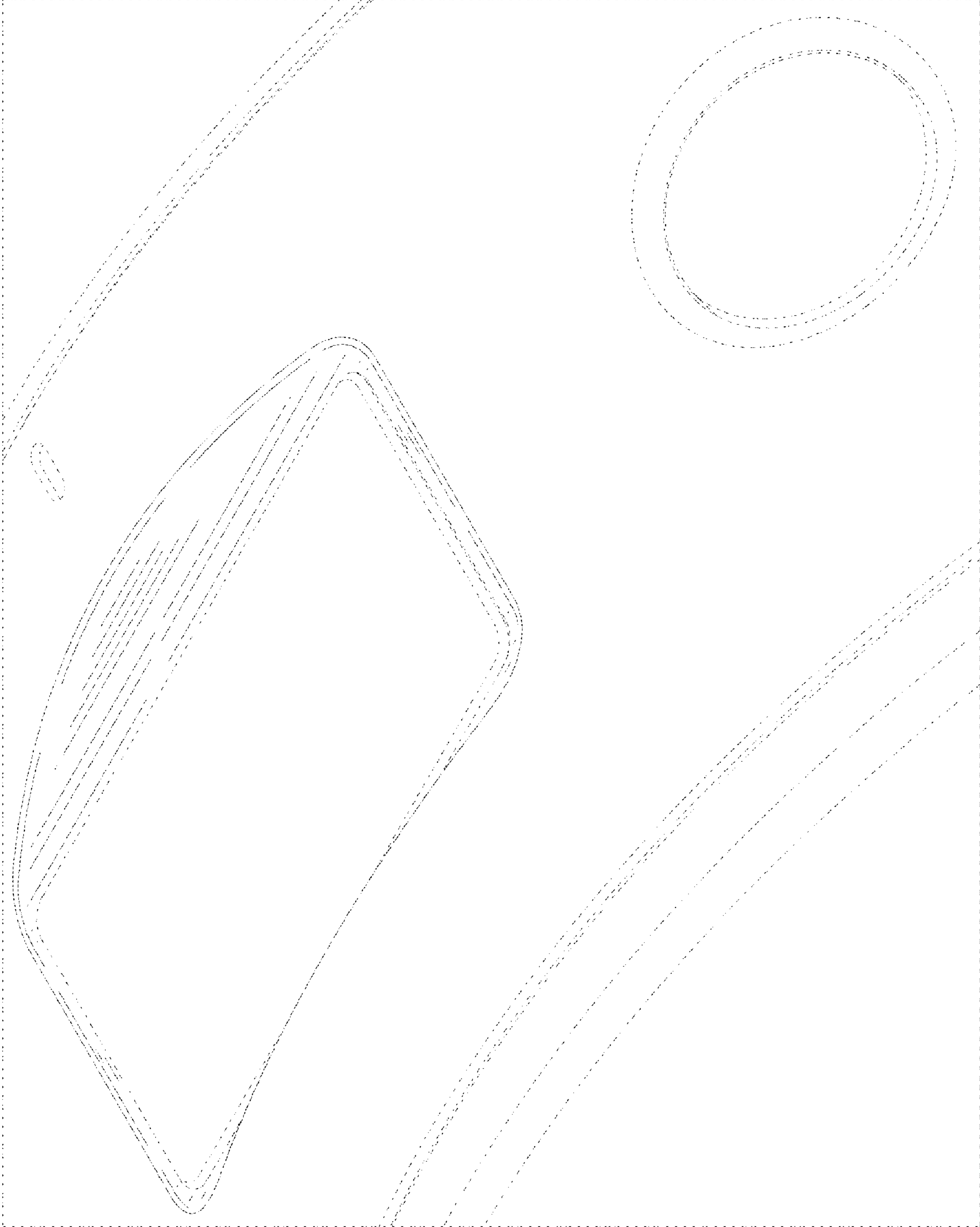


FIG.12

FIG. 13

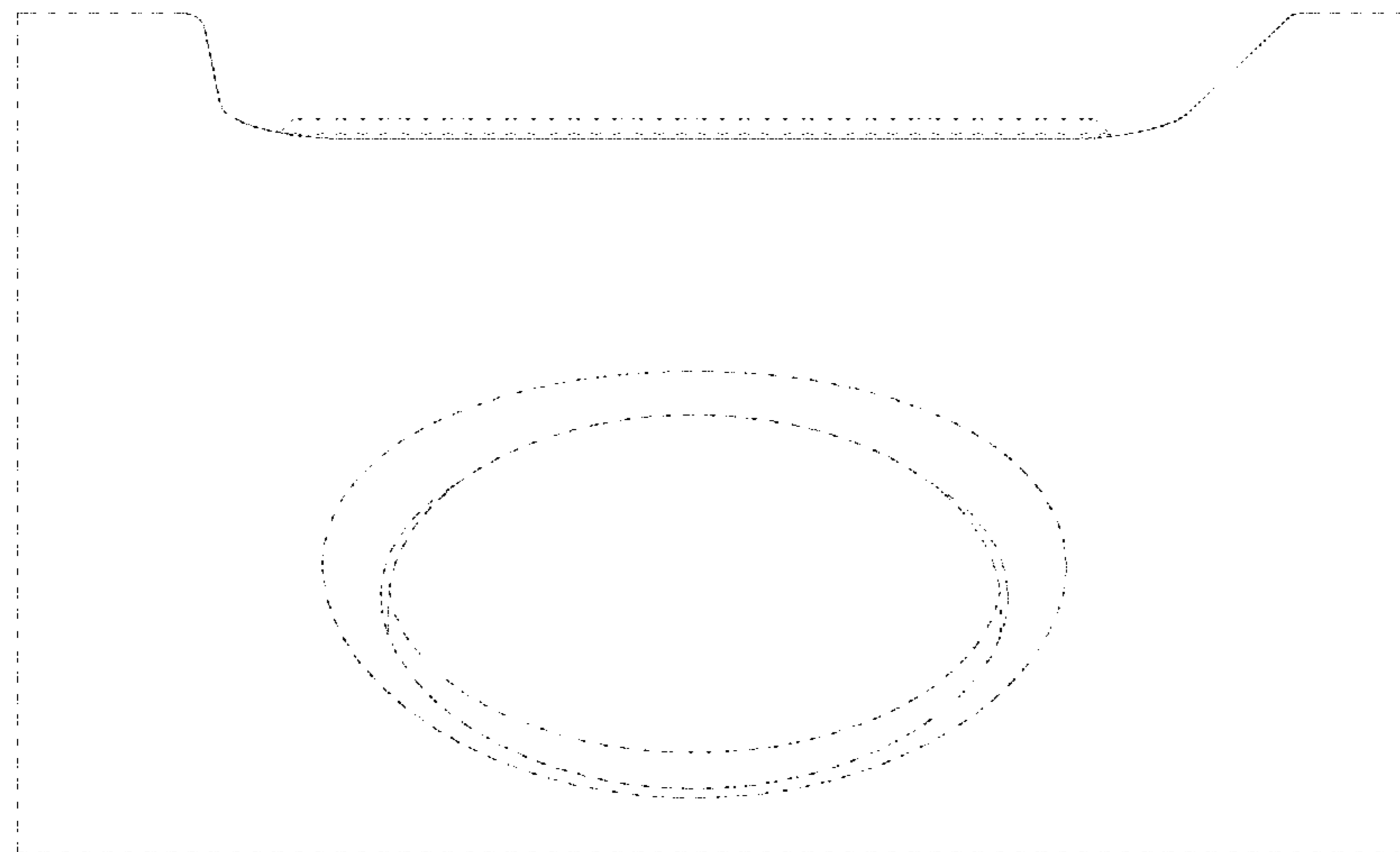


FIG. 14

