



US00D957503S

(12) **United States Design Patent** (10) **Patent No.:** **US D957,503 S**  
**Coster et al.** (45) **Date of Patent:** **\*\* Jul. 12, 2022**

(54) **CAMERA HOUSING**

FOREIGN PATENT DOCUMENTS

(71) Applicant: **GoPro, Inc.**, San Mateo, CA (US)  
(72) Inventors: **Daniel J. Coster**, San Francisco, CA (US); **Bessy Liang**, San Jose, CA (US); **Huy Phuong Nguyen**, San Mateo, CA (US); **John George Muhlenkamp, IV**, Brisbane, CA (US); **Jordan Todd**, Piedmont, CA (US)

CN 302944108 5/2014  
CN 303933789 6/2016  
GB 4034453 3/2014

OTHER PUBLICATIONS

Action Video Suction Cup. [online] Published date Oct. 23, 2014. Retrieved on Nov. 2, 2016 from <URL: <https://www.amazon.com/Suction-Locking-JOBY-Easy-Anti-Vibration-Cameras/dp/B0008R7A72/ref=psim\_421\_2?encoding=UTF8&pd\_rd\_i=B0008R7A72&pd\_rd\_r=AGCVZH2ZHQBKHT5BBX2GZ&pd\_rd\_w=7Jkpc&pd\_rd\_wg=OMkYF&psc=1&refRID=AGCVZH2ZHQBKHT5BBX2GZ>. (9 pages).

(73) Assignee: **GoPro, Inc.**, San Mateo, CA (US)

(\*\*) Term: **15 Years**

(21) Appl. No.: **29/805,978**

(22) Filed: **Aug. 31, 2021**

**Related U.S. Application Data**

(62) Division of application No. 29/771,317, filed on Feb. 22, 2021, now Pat. No. Des. 929,489, which is a division of application No. 29/705,667, filed on Sep. 13, 2019, now Pat. No. Des. 911,411.

(51) **LOC (13) Cl.** ..... **16-05**

(52) **U.S. Cl.**  
USPC ..... **D16/219**

(58) **Field of Classification Search**  
USPC ..... D16/200, 202-208, 218, 219, 237, 242;  
348/164, 373-376; 396/448, 535,  
396/539-541  
CPC ..... G03B 17/02; G03B 19/04; G03B 17/56;  
G03B 17/04; G03B 15/03; H04N 5/2251;  
H04N 5/2252; H04N 5/2253; H04N  
5/2254; H04N 7/181; H04N 7/183; H04N  
7/18;

(Continued)

(56) **References Cited**

U.S. PATENT DOCUMENTS

679,881 A 8/1901 Bullard  
1,467,556 A 9/1923 Nagel  
1,612,277 A 12/1926 Leo

(Continued)

*Primary Examiner* — Ramzi Almatrahi  
(74) *Attorney, Agent, or Firm* — Young Basile Hanlon & MacFarlane, P.C.

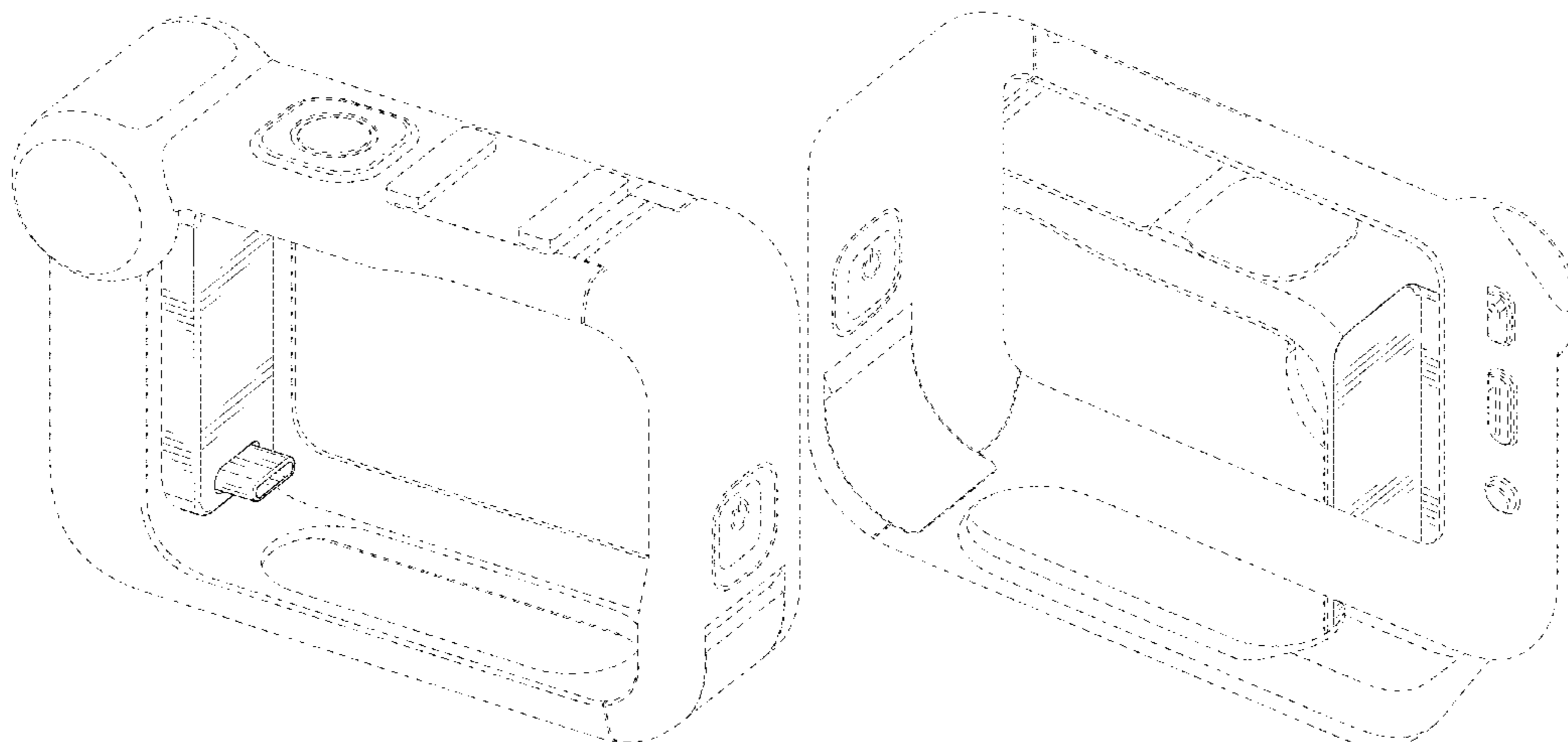
(57) **CLAIM**

The ornamental design for a camera housing, as shown and described.

**DESCRIPTION**

FIG. 1 is a top, front, and right side perspective view of a camera housing showing our new design;  
FIG. 2 is a bottom, rear, and right side perspective view thereof;  
FIG. 3 is a top, rear and left side perspective thereof;  
FIG. 4 is a front elevation view thereof;  
FIG. 5 is a rear elevation view thereof;  
FIG. 6 is a right side elevation view thereof;  
FIG. 7 is a left side elevation view thereof;  
FIG. 8 is a top plan view thereof; and,  
FIG. 9 is a bottom plan view thereof.  
The broken lines depict portions of the camera housing that form no part of the claimed design.

**1 Claim, 8 Drawing Sheets**



**US D957,503 S**

(58) **Field of Classification Search**  
 CPC ..... G08B 13/1963; G08B 13/19619; G08B  
 13/19632; F16M 11/04; F16M 13/00  
 See application file for complete search history.

(56) **References Cited**  
 U.S. PATENT DOCUMENTS

2,336,104	A	12/1943	Laube	
4,341,452	A	7/1982	Korling	
D265,829	S	8/1982	Shimoda	
4,646,141	A	2/1987	Timmermans	
4,763,151	A	8/1988	Klinger	
D298,760	S	11/1988	Yoshida	
5,092,552	A	3/1992	Dayton	
5,325,139	A	6/1994	Matsumoto	
D349,126	S	7/1994	Lee	
5,353,079	A	10/1994	Sakai	
5,576,781	A	11/1996	Deleeuw	
5,738,321	A	4/1998	Moriyasu	
D441,386	S	5/2001	Yamazaki	
6,347,893	B1 *	2/2002	Shiono .....	G03B 17/00 396/448
D469,338	S	1/2003	Chace	
D491,968	S	6/2004	Isshiki	
D492,953	S	7/2004	Mitsuse	
D499,131	S	11/2004	Tania	
D504,904	S	5/2005	Nagai	
D515,121	S	2/2006	Bleau	
D550,741	S	9/2007	Vernon	
D563,486	S	3/2008	Slater	
D582,955	S	12/2008	Sekine	
7,537,399	B2	5/2009	Mayumi	
D594,050	S	6/2009	Grtner	
7,621,680	B2	11/2009	Frick	
D616,480	S	5/2010	Ookawa	
8,014,656	B2	9/2011	Woodman	
D646,313	S	10/2011	Woodman	
D647,554	S	10/2011	Yim	
D647,935	S	11/2011	Raken	
D653,687	S	2/2012	Yu	
D657,808	S	4/2012	Woodman	
D674,428	S	1/2013	Woodman	
D684,569	S	6/2013	Willenborg	
8,467,675	B2	6/2013	Chen	
D692,507	S	10/2013	Meys	
8,544,643	B2	10/2013	Yim	
8,596,890	B2	12/2013	Yim	
D699,276	S	2/2014	Samuels	
D699,277	S	2/2014	Samuels	
D702,747	S	4/2014	Woodman	
8,718,457	B2	5/2014	Clark	
D706,603	S	6/2014	Kokawa	
D710,921	S	8/2014	Gioscia	
D710,922	S	8/2014	Gioscia	
8,794,579	B2	8/2014	Sturman	
D722,097	S	2/2015	Kim	
D724,637	S	3/2015	Samuels	
D724,638	S	3/2015	Samuels	
D725,169	S	3/2015	Gioscia	
D727,387	S	4/2015	Hasegawa	
9,004,783	B1	4/2015	Woodman	
D730,423	S	5/2015	Vandenbussche	
D732,601	S	6/2015	Coyle	
D733,787	S	7/2015	Baker	
D733,788	S	7/2015	Baker	
D736,848	S	8/2015	Kim	
D737,647	S	9/2015	Elder	
D739,451	S	9/2015	Gioscia	
D740,876	S	10/2015	Woodman	
D745,589	S	12/2015	Lee	
D749,164	S	2/2016	Raccah	
D750,146	S	2/2016	Costa	
D750,680	S	3/2016	Chen	
D750,687	S	3/2016	Samuels	
D752,671	S	3/2016	Harrison	
D752,672	S	3/2016	Clearman	

9,282,226	B2	3/2016	Samuels	
D754,230	S	4/2016	Mori	
D754,240	S	4/2016	Samuels	
D755,277	S	5/2016	Shnholz	
D758,474	S	6/2016	Harrison	
D759,141	S	6/2016	Bacon	
D759,145	S	6/2016	Lee	
D760,309	S	6/2016	Parfitt	
D760,312	S	6/2016	Lee	
9,360,742	B1	6/2016	Harrison	
D762,759	S	8/2016	Wu	
D763,941	S	8/2016	Smith	
D768,228	S	10/2016	Muhlenkamp, IV	
D768,752	S	10/2016	Silver	
D768,754	S	10/2016	Bennett	
D769,346	S	10/2016	Nguyen	
D773,546	S	12/2016	Nguyen	
D776,738	S	1/2017	Clearman	
D776,741	S	1/2017	Parfitt	
D777,239	S	1/2017	Costa	
D783,079	S	4/2017	Lee	
D785,068	S	4/2017	Patsis	
9,635,226	B2	4/2017	Samuels	
D785,696	S	5/2017	Parfitt	
D785,697	S	5/2017	Costa	
D790,000	S	6/2017	Wang	
D790,002	S	6/2017	Nguyen	
D800,815	S	10/2017	Clearman	
D800,819	S	10/2017	Parfitt	
9,816,666	B2	11/2017	Wang	
D806,775	S	1/2018	Nguyen	
D808,163	S	1/2018	Song	
9,880,451	B2	1/2018	Clearman	
9,894,278	B2	2/2018	Wei	
9,894,279	B2	2/2018	Wei	
9,903,533	B2	2/2018	Wei	
D816,751	S	5/2018	Harrison	
D819,117	S	5/2018	Lee	
D827,696	S	9/2018	Crow	
D827,697	S	9/2018	Crow	
10,101,637	B2	10/2018	Peddecord	
D837,861	S	1/2019	Luo	
D840,463	S	2/2019	Nguyen	
D846,620	S	4/2019	Katori	
D848,500	S	5/2019	Miyashita	
D849,084	S	5/2019	Hu	
D850,520	S	6/2019	Voss	
D854,597	S	7/2019	Gao	
D856,391	S	8/2019	Liu	
D861,761	S	10/2019	Bergman	
D867,420	S	11/2019	Zhang	
D868,871	S	12/2019	Nguyen	
D869,539	S	12/2019	Hu	
D871,480	S	12/2019	Hu	
D880,567	S	4/2020	Zhang	
D880,569	S	4/2020	Zhang	
D884,061	S	5/2020	Arens	
D888,792	S	6/2020	Luo	
D890,835	S	7/2020	Nguyen	
D904,498	S	12/2020	Lim	
D907,680	S	1/2021	Nguyen	
D908,778	S *	1/2021	Xu .....	D16/242
D911,411	S	2/2021	Coster	
D911,412	S	2/2021	Alberstein	
D912,120	S	3/2021	Druker	
D920,419	S	5/2021	Muhlenkamp, IV	
D921,084	S	6/2021	Muhlenkamp, IV	
D924,297	S	7/2021	Imai	
D929,489	S	8/2021	Coster	
D933,115	S	10/2021	Druker	
D934,945	S *	11/2021	Wu .....	D16/237
D935,506	S	11/2021	Tan	
D939,608	S *	12/2021	Han .....	D16/202
D941,904	S *	1/2022	Coster .....	D16/219
2002/0046218	A1	4/2002	Gilbert	
2007/0071423	A1	3/2007	Fantone	
2008/0152337	A1	6/2008	Gartner	
2011/0317065	A1	12/2011	Lin	
2014/0185853	A1	7/2014	Aihara	

(56)

**References Cited**

U.S. PATENT DOCUMENTS

2014/0198932	A1	7/2014	Parkins
2014/0226055	A1	8/2014	Schmidt
2015/0168815	A1	6/2015	Chen
2015/0316835	A1	11/2015	Scott
2015/0326748	A1	11/2015	Tisch
2016/0004142	A1	1/2016	Zhang
2016/0100083	A1	4/2016	Harrison
2016/0229556	A1	8/2016	Zhou
2016/0246162	A1	8/2016	Niemeyer
2017/0059967	A1	3/2017	Harrison
2017/0192341	A1	7/2017	Casarez
2019/0079373	A1	3/2019	Wang
2019/0161208	A1	5/2019	Sun

OTHER PUBLICATIONS

Google Express IGoPro Karma Harness for HERO4 Black/Silver Camera—AGFHA-001 , first reviewed on Mar. 17, 2017, © 2018 Google [online], [site visited Mar. 16, 2018]. Available from Internet, <URL: <https://goo.gl/hugSGv/>> 1 page.

GoPro i Shop i Mounts & Accessories, posted on Nov. 16, 2017, © 2018 GoPro, Inc. [online], [site visited Mar. 16, 2018]. Available from Internet, <URL: <https://shop.gopro.com/mounts-accessories/>> (13 Pgs).

GoPro The Frame for HERO5 Black. [online] Published date unknown. Retrieved on Oct. 26, 2016 from <URL: <https://www.bhphotovideo.com/c/product/1274422-REG/gopro.sub.--aafm.sub.--001.sub.--frame.sub.--for.sub.--hero5.html>>. 3 pages.

GoPro, “Karma Stabilizer,” Date Unknown, two pages. [Online] [Retrieved Nov. 2, 2016] Retrieved from the internet <<http://shop.gopro.com/accessories-2/karma-stabilizer/AGMBL-001.html>>. (2 pages).

Linxv i Action Camera Accessories i Action Camera Strap, posted on Jun. 4, 2016, © 2012 Avada [online], [site visited Mar. 16, 2018]. Available from Internet, <URL: <http://www.linxv.com/action-camera-accessories/action-camera-strap/>> (4 Pgs).

Silicon Sleeve Cases for the Frame of Your Gopro Hero 5 , retrieved from URL: <https://www.amazon.com/Silicone-Sleeve-Cases-Frame-Gopro/dp/B01NCQ3GOY>, retrieved Mar. 30, 2018 (6 pages).

Silicon Sleeve for GoPro Her04 Housing—Gocase, retrieved from URL: <https://www.gocase.com/products/silicon-sleeve-for-gopro-hero4-housing>, retrieved Mar. 30, 2018 (2 pages).

Silicone Sleeve Cases for The Frame of your Gopro Hero 5 (1x Frame / 1x Camera Case, Blue + Black), URL: [https://www.amazon.com/dp/B01MR00OPJ/ref=asc\\_df\\_B01MR00OPJ5357481/?tag=hyprod-20&creative=395033&creativeASIN=B01MR00OPJ&linkCode=df0&hvadid=167139098072&hvpos=1o1&hvnetw=g&hvrnd=8248390090609077295&hvpone=&hvptwo=&hvqmt=&hvdev=c&hvdvcmdl=&hvlocint=&hvlocphy=1014237&hvtargid=pla-332273337114](https://www.amazon.com/dp/B01MR00OPJ/ref=asc_df_B01MR00OPJ5357481/?tag=hyprod-20&creative=395033&creativeASIN=B01MR00OPJ&linkCode=df0&hvadid=167139098072&hvpos=1o1&hvnetw=g&hvrnd=8248390090609077295&hvpone=&hvptwo=&hvqmt=&hvdev=c&hvdvcmdl=&hvlocint=&hvlocphy=1014237&hvtargid=pla-332273337114), retrieved Mar. 30, 2018 (6 pages).

Suction Cup & Locking Arm. Online, published date unknown. Retrieved on Jan. 11, 2018 from URL: <https://joby.com/suction-cup-with-locking-arm> (1 page).

The Frame. [online] Published date unknown. Retrieved on Oct. 24, 2016 from <URL: <http://shop.gopro.com/accessories-2/the-frame/ANDFR-302.html>>. 3 pages.

United States Office Action, U.S. Appl. No. 29/548,666, filed Nov. 17, 2016, 8 pages.

\* cited by examiner

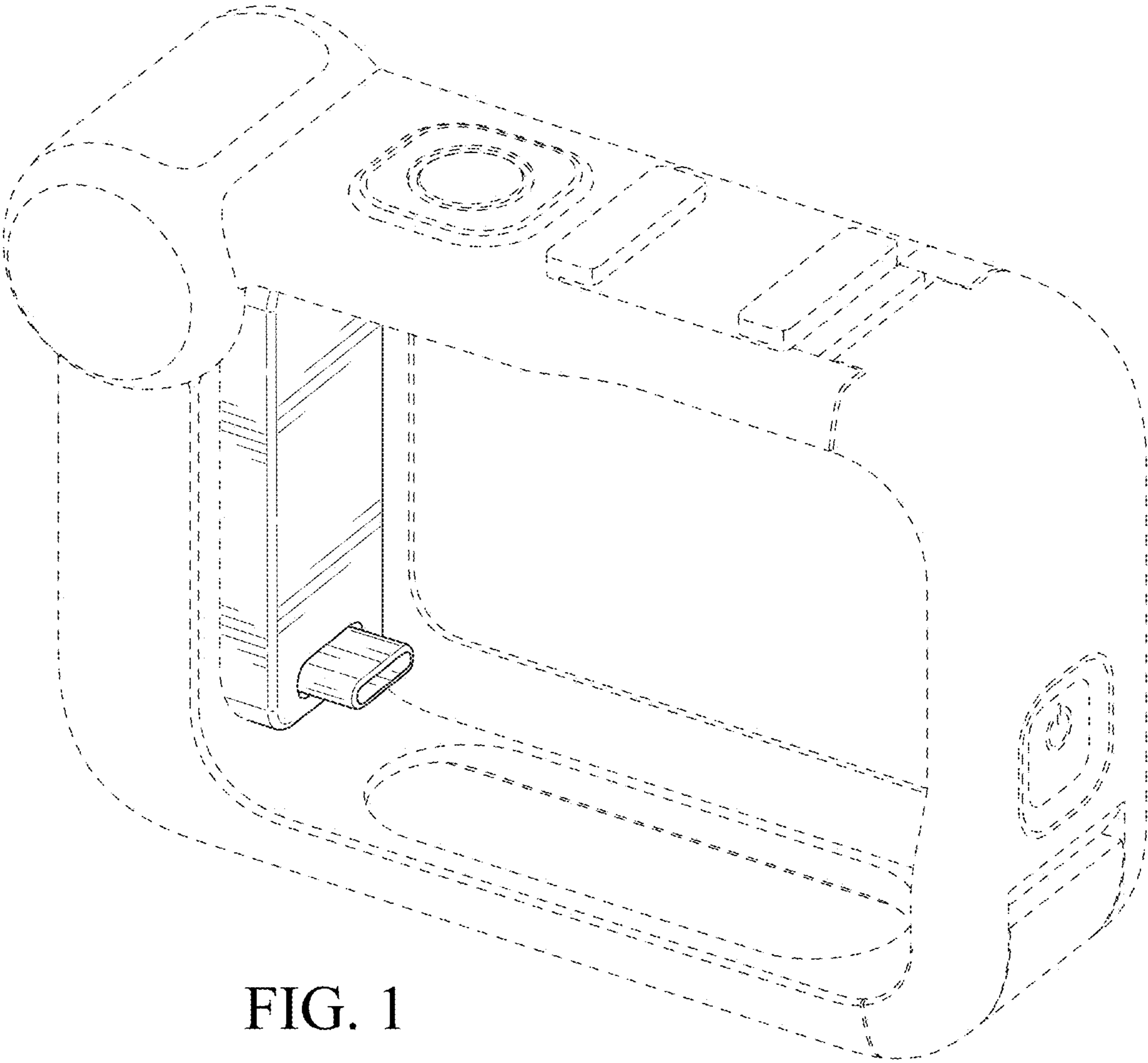


FIG. 1

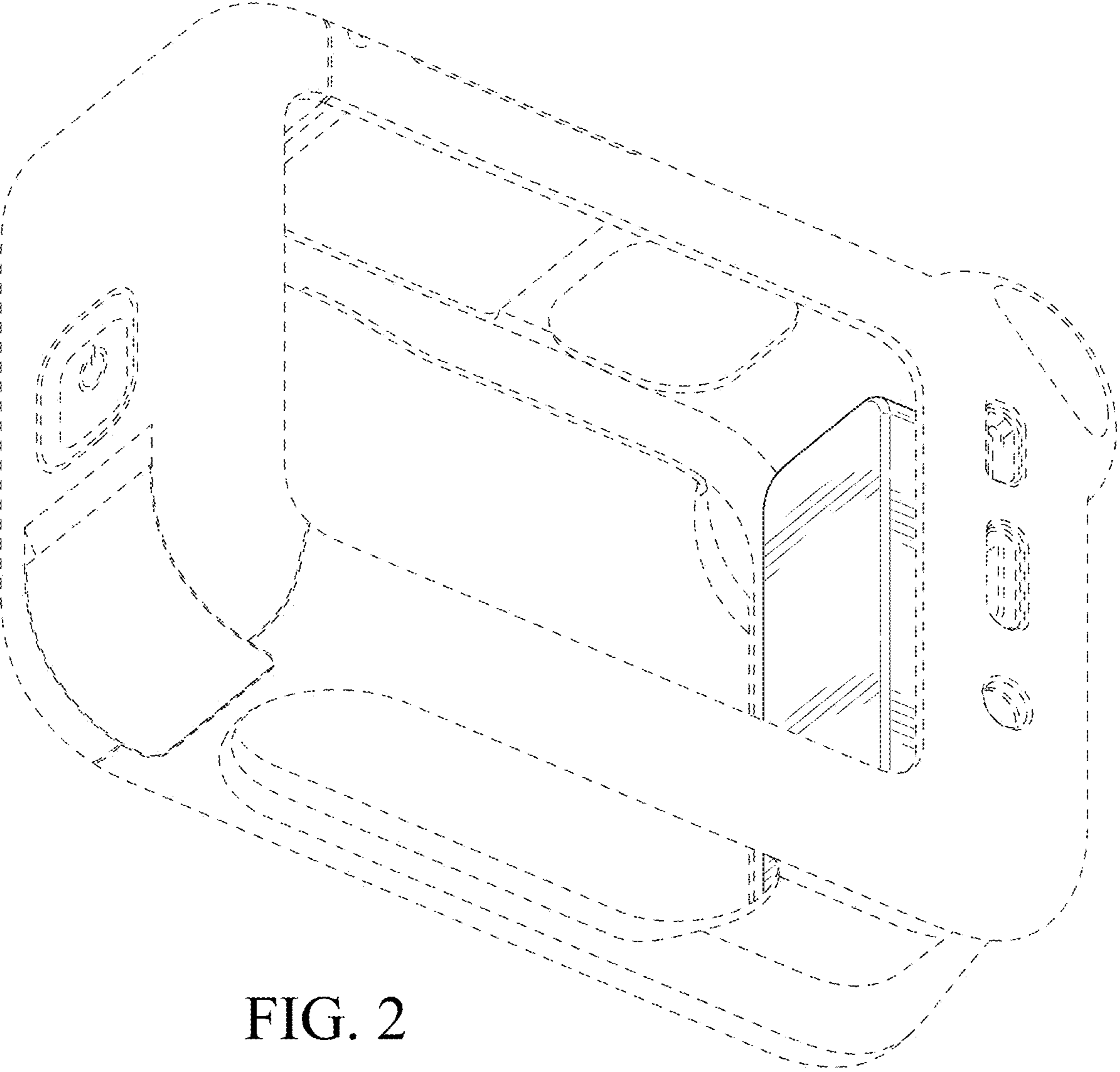


FIG. 2

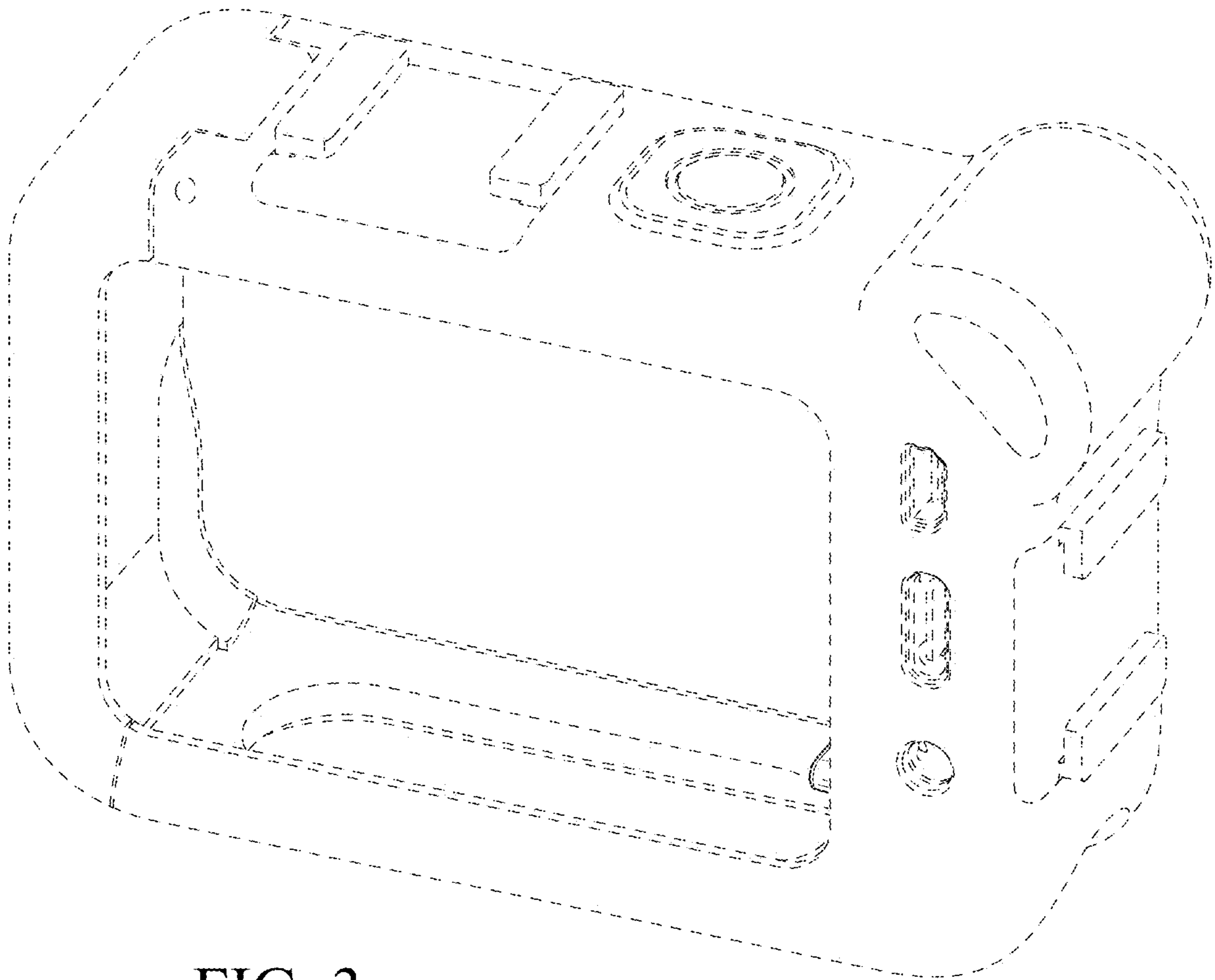


FIG. 3

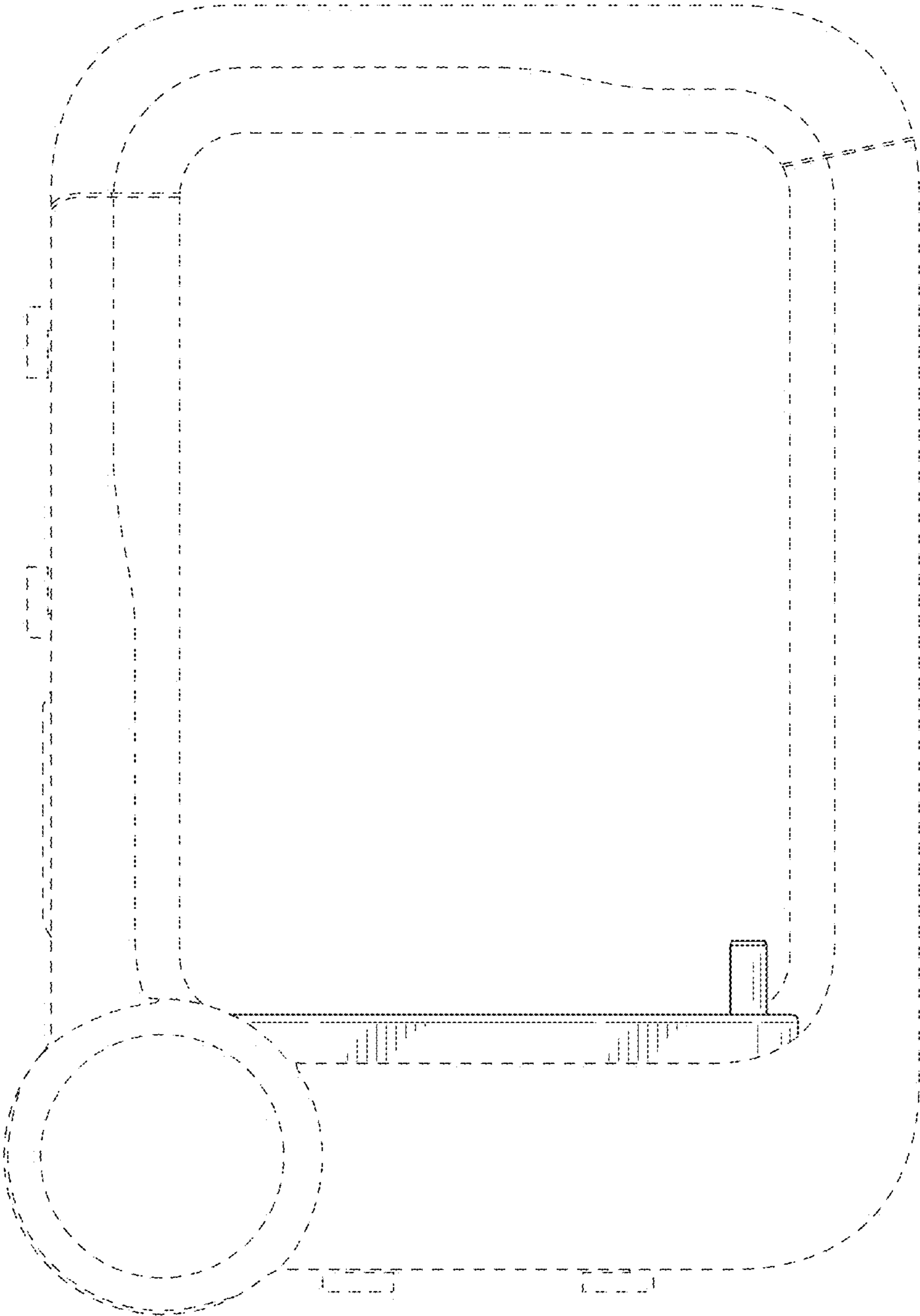


FIG. 4

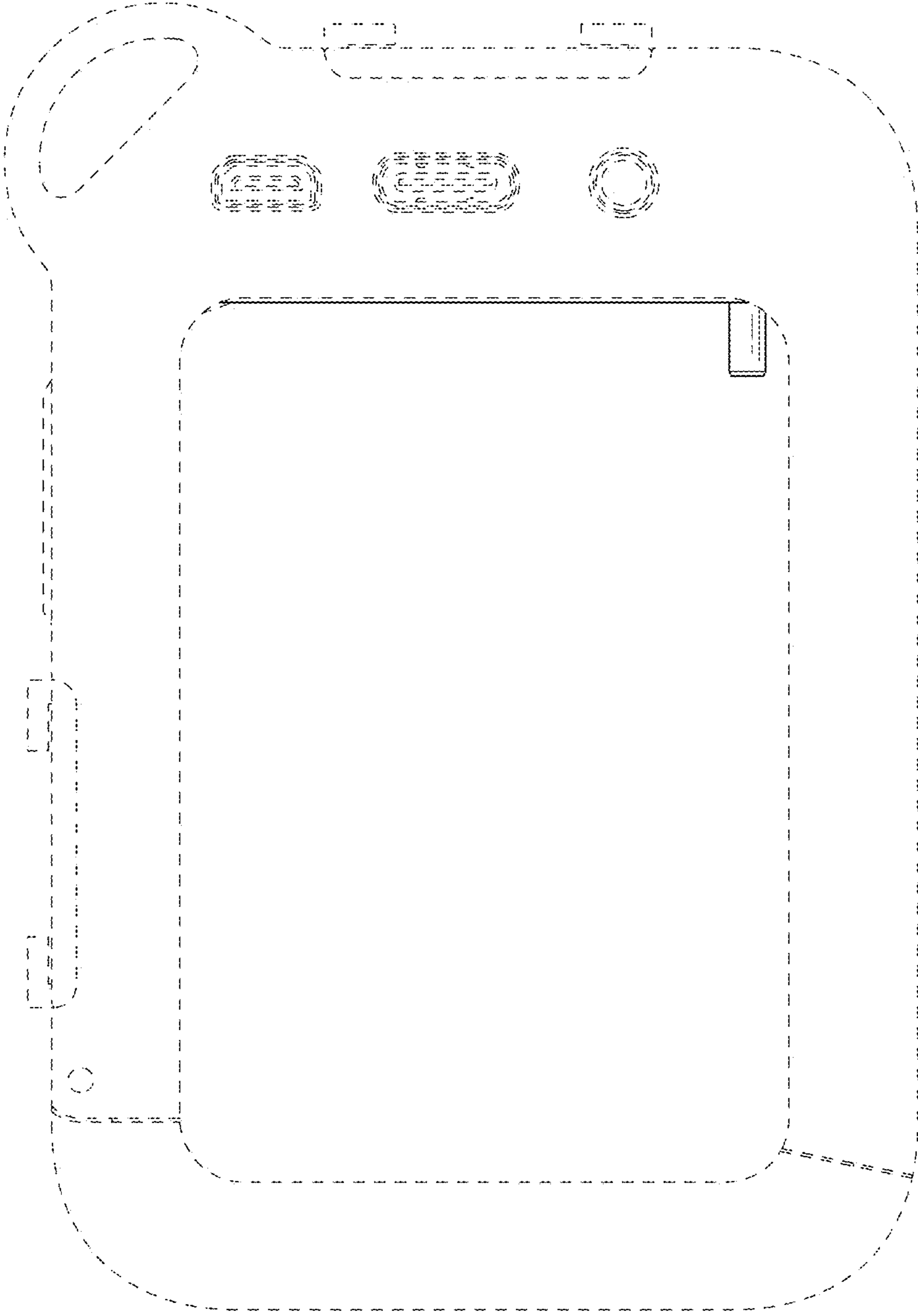


FIG. 5



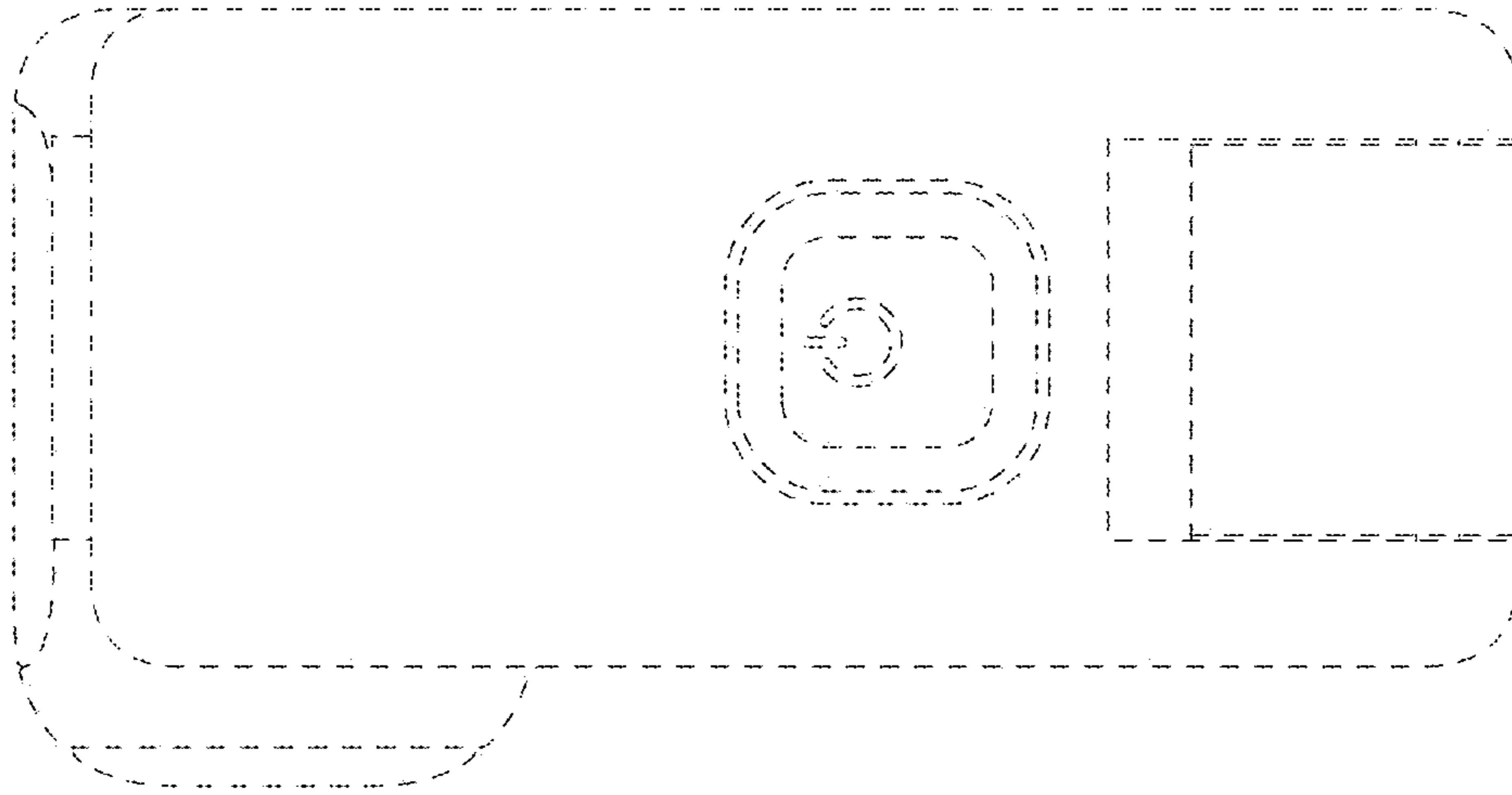


FIG. 6

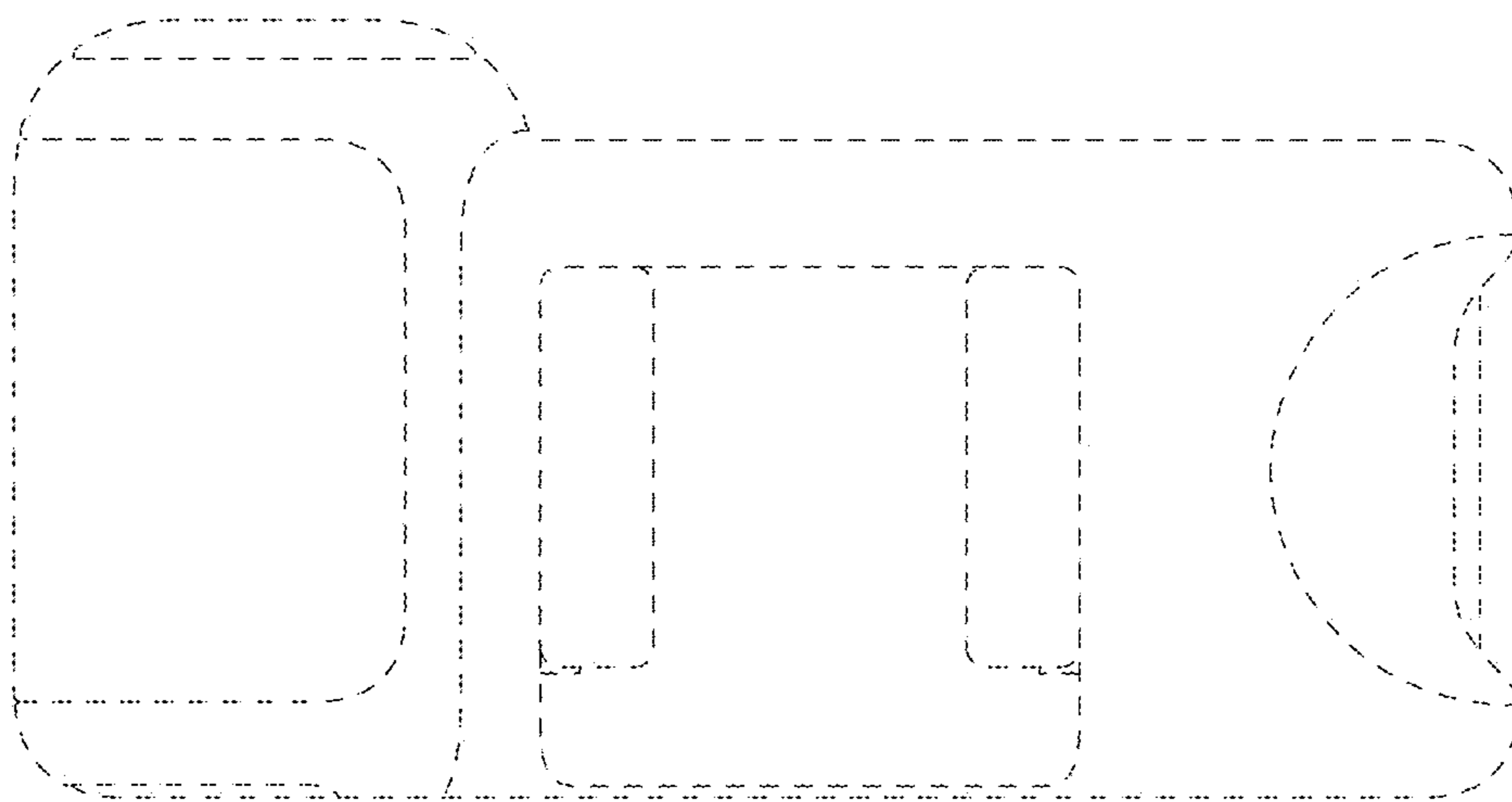


FIG. 7

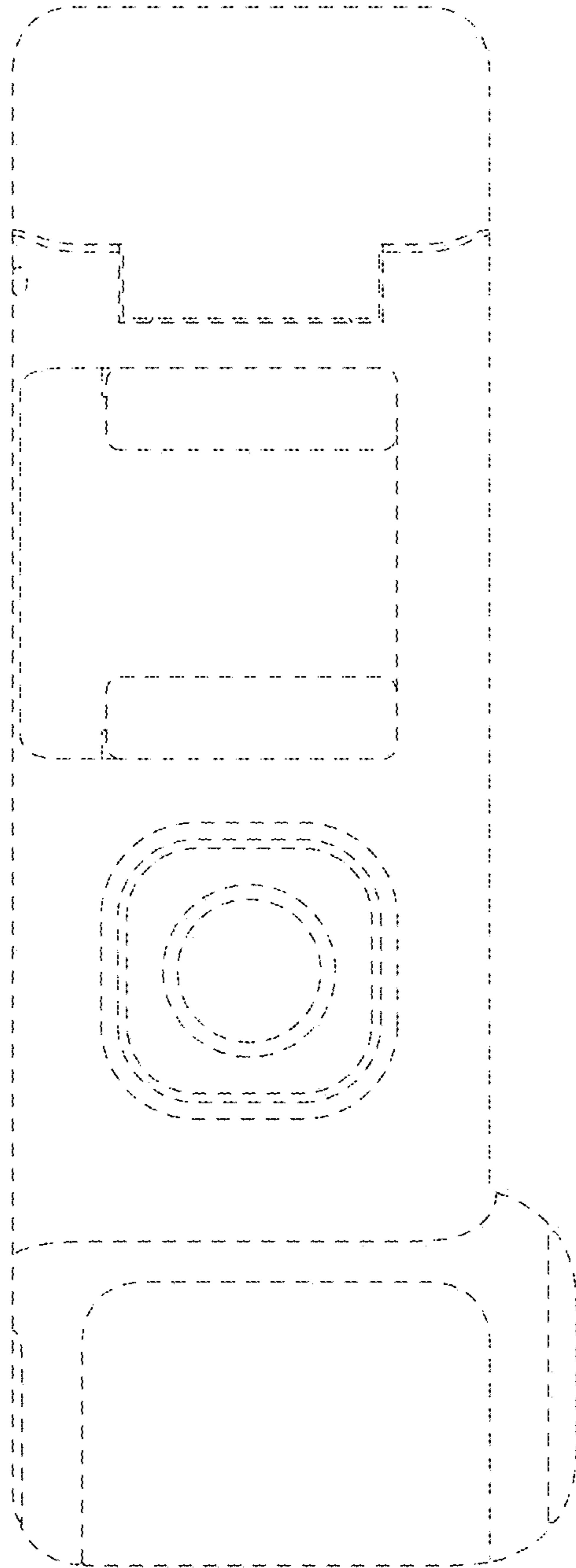


FIG. 8

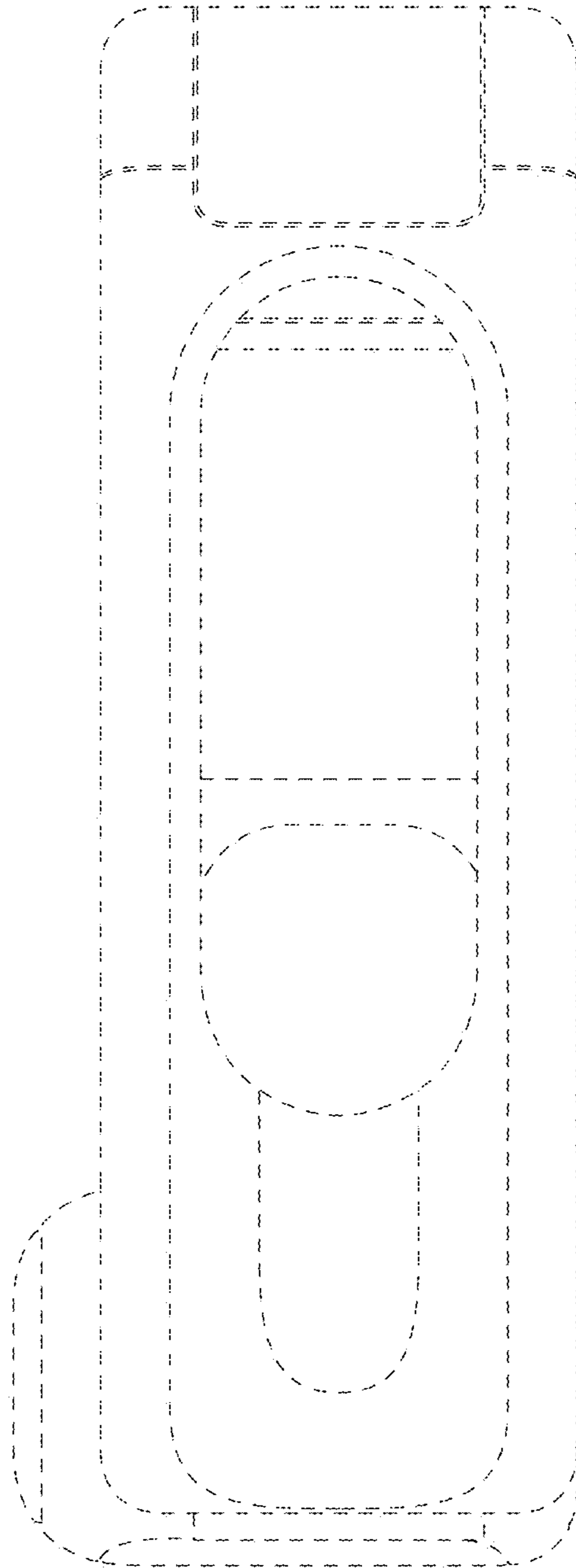


FIG. 9