



US00D957502S

(12) **United States Design Patent**  
**Jiang**

(10) **Patent No.:** **US D957,502 S**  
(45) **Date of Patent:** **\*\* Jul. 12, 2022**

(54) **TRAIL CAMERA**

(71) Applicant: **SHENZHEN ZHUOPU DIGITAL TECHNOLOGY CO., LTD.**, Shenzhen (CN)

(72) Inventor: **Qingwen Jiang**, Shenzhen (CN)

(73) Assignee: **SHENZHEN ZHUOPU DIGITAL TECHNOLOGY CO., LTD.**, Shenzhen (CN)

(\*\*) Term: **15 Years**

(21) Appl. No.: **29/795,940**

(22) Filed: **Jun. 22, 2021**

(51) **LOC (13) Cl.** ..... **16-01**

(52) **U.S. Cl.**  
USPC ..... **D16/203**

(58) **Field of Classification Search**  
USPC ..... D16/200–203, 207–208, 218–219;  
D10/46, 60, 62, 65, 104.1, 106.6, 106.7,  
D10/109.1, 109.2, 121; D14/137;  
D21/517

CPC ..... G03B 17/00; G03B 17/02; G03B 17/08;  
G03B 2217/00; H04N 5/2251; H04N  
5/2252; H04N 5/22521; H04N 5/2258;  
H04N 5/23218

See application file for complete search history.

(56) **References Cited**

**U.S. PATENT DOCUMENTS**

D833,506 S	*	11/2018	Chen	.....	D16/218
D874,545 S		2/2020	Wang		
D881,969 S	*	4/2020	Li	.....	D16/203
D883,361 S	*	5/2020	Ren	.....	D16/203
D884,048 S		5/2020	Wang		
D888,125 S	*	6/2020	Wang	.....	D16/203
D892,757 S	*	8/2020	Pang	.....	D14/137

D894,252 S	*	8/2020	Han	.....	D16/203
D920,416 S	*	5/2021	Jiang	.....	D16/203
D928,215 S	*	8/2021	Jiang	.....	D16/203
D939,008 S	*	12/2021	Jiang	.....	D16/203

**FOREIGN PATENT DOCUMENTS**

CN	305211278	*	6/2019
CN	306847882	*	9/2021

**OTHER PUBLICATIONS**

“Meidase S800 4G LTE Cellular Trail Camera with App, 24MP 1296P Game Camera with Clear 100ft No Glow Night Vision Motion Activated Waterproof, Trail Camera Sends Picture to Cell Phone” from Amazon.com, first available Oct. 29, 2021 from the internet <<https://www.amazon.com/Meidase-S800-Cellular-Activated-Waterproof/dp/B09JWM96MX/>> (Year: 2021).\*

(Continued)

*Primary Examiner* — Michelle E. Wilson  
*Assistant Examiner* — Lacey Chey Bowman

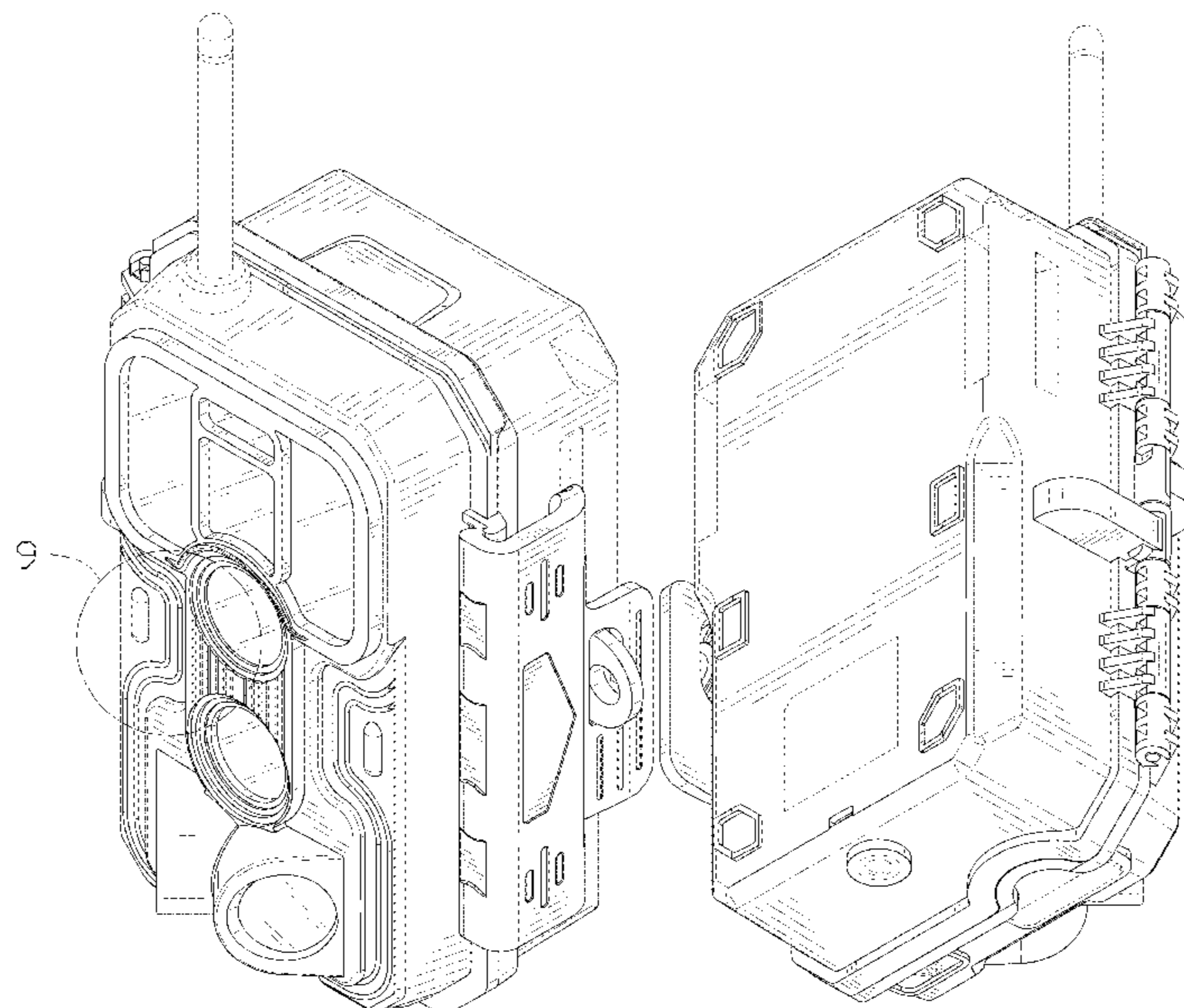
(57) **CLAIM**

The ornamental design for a trail camera, as shown and described.

**DESCRIPTION**

FIG. 1 is a perspective view of a trail camera showing my new design;  
FIG. 2 is another perspective view thereof;  
FIG. 3 is a front elevational view thereof;  
FIG. 4 is a rear elevational view thereof;  
FIG. 5 is a left side elevational view thereof;  
FIG. 6 is a right side elevational view thereof;  
FIG. 7 is a top plan view thereof;  
FIG. 8 is a bottom plan view thereof; and,  
FIG. 9 is an enlarged view of portion 9 shown in FIG. 1.  
The broken lines in the drawings depict portions of the trail camera that form no part of the claimed design.

**1 Claim, 9 Drawing Sheets**



(56)

**References Cited**

OTHER PUBLICATIONS

“WiFi Trail Camera-Bluetooth 1296P 20MP Hunting Game Camera with Night Vision Motion Activated for Wildlife Monitoring Waterproof IP66” from Amazon.com, first available Jul. 15, 2021 from the internet <[https://www.amazon.com/dp/B099KKG3FH?ots=1&slotNum=2&imprToken=68c05cd5-56c1-602b-dad&ascsubtag=\[\[st\[p\]ckwze2osn0000e5ltz9ybyg1m\[i\]aO8D6q\[u\]1\[t\]w\[r\]google.com\[d\]D\[z\]m&tag=thestrategistsite-20](https://www.amazon.com/dp/B099KKG3FH?ots=1&slotNum=2&imprToken=68c05cd5-56c1-602b-dad&ascsubtag=[[st[p]ckwze2osn0000e5ltz9ybyg1m[i]aO8D6q[u]1[t]w[r]google.com[d]D[z]m&tag=thestrategistsite-20)> (Year: 2021).\*

\* cited by examiner

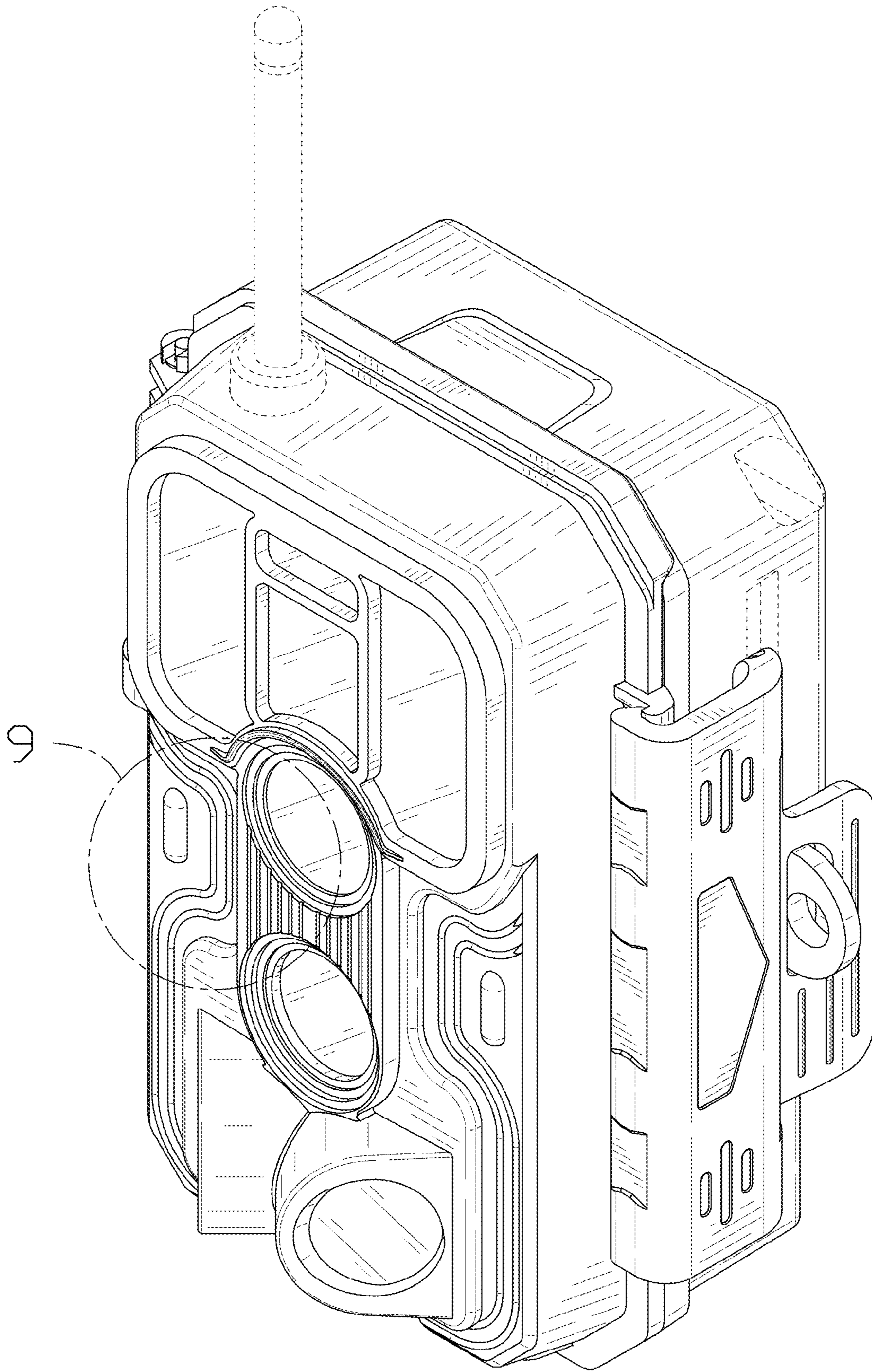


FIG. 1

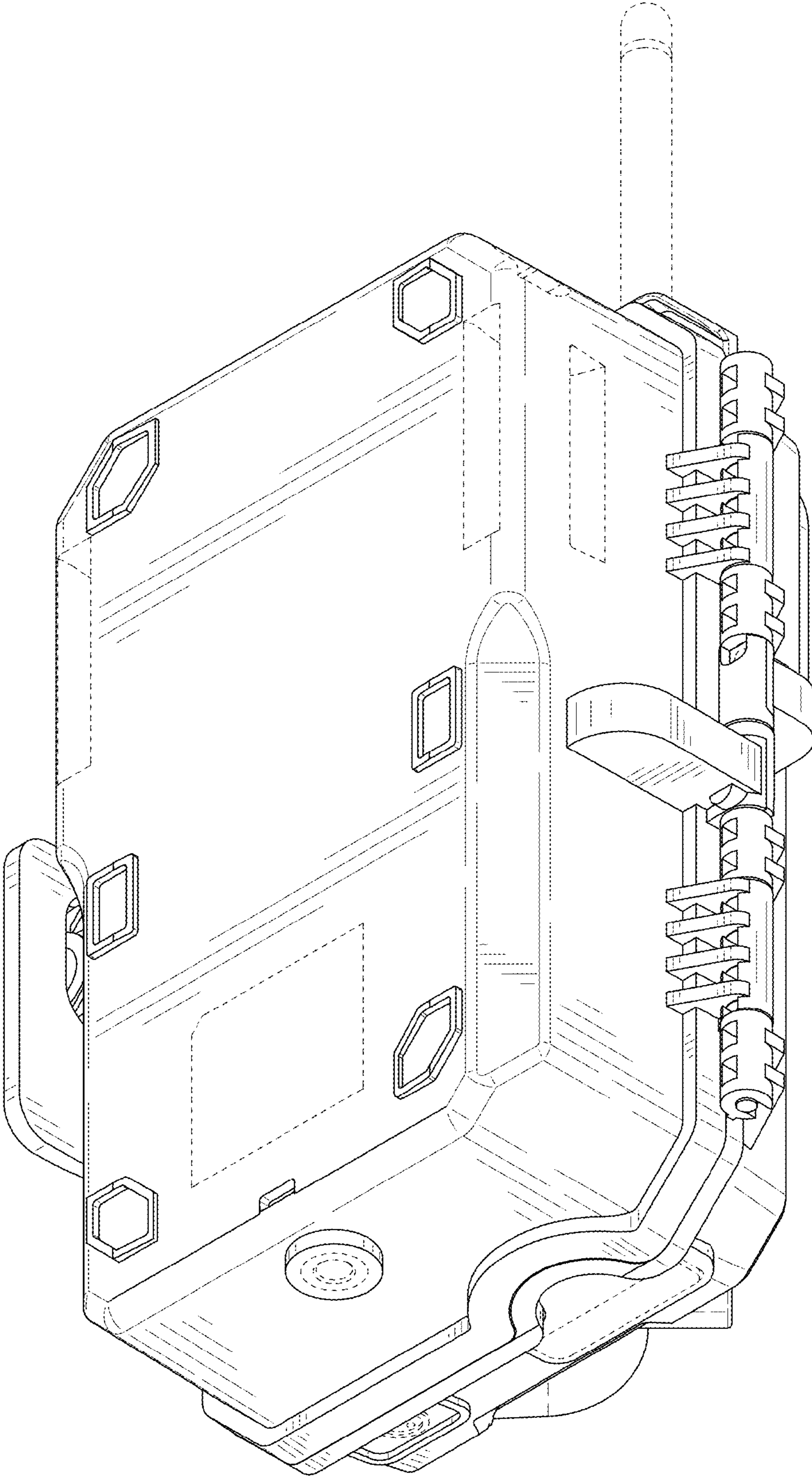


FIG. 2

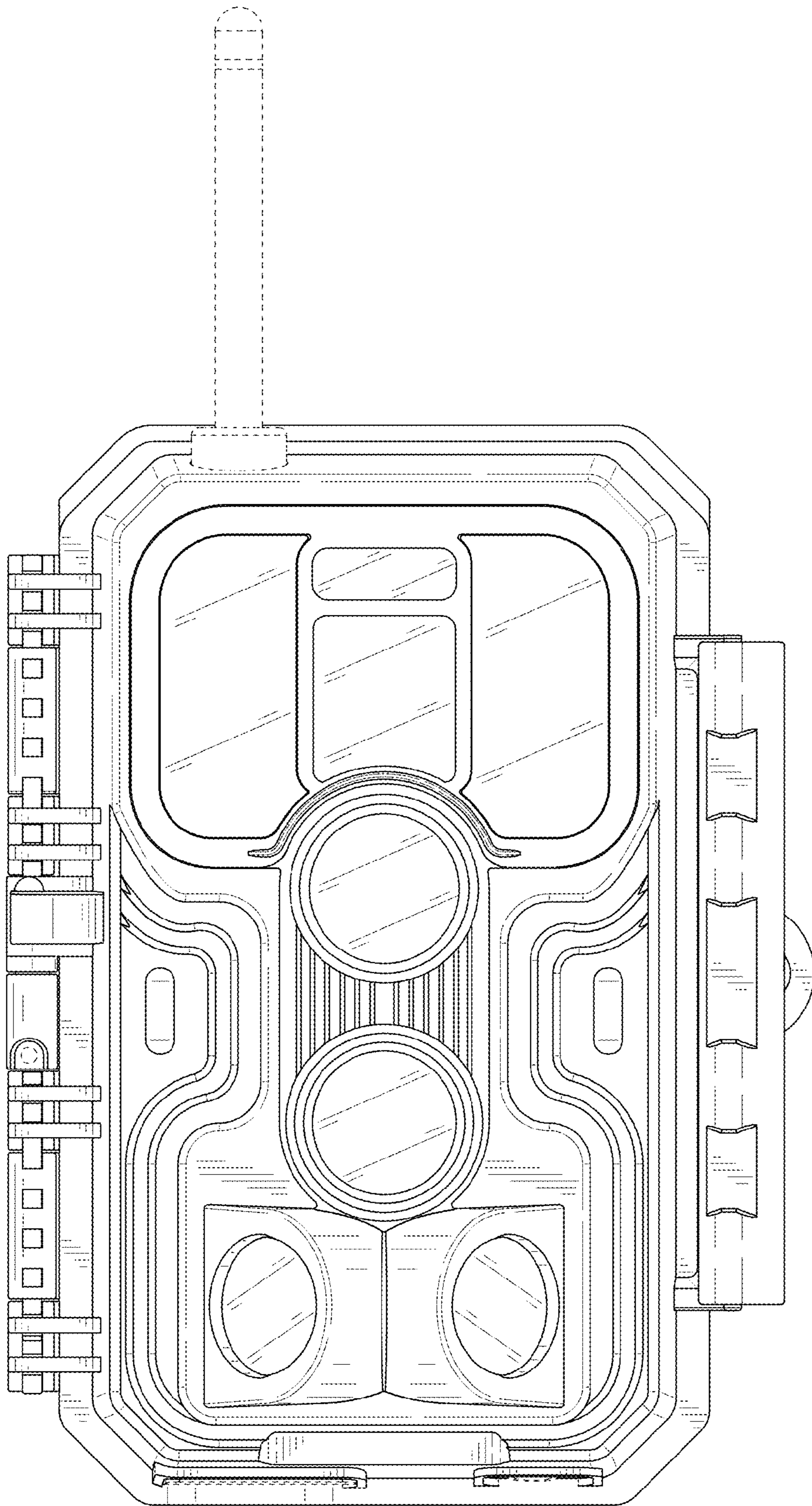


FIG. 3

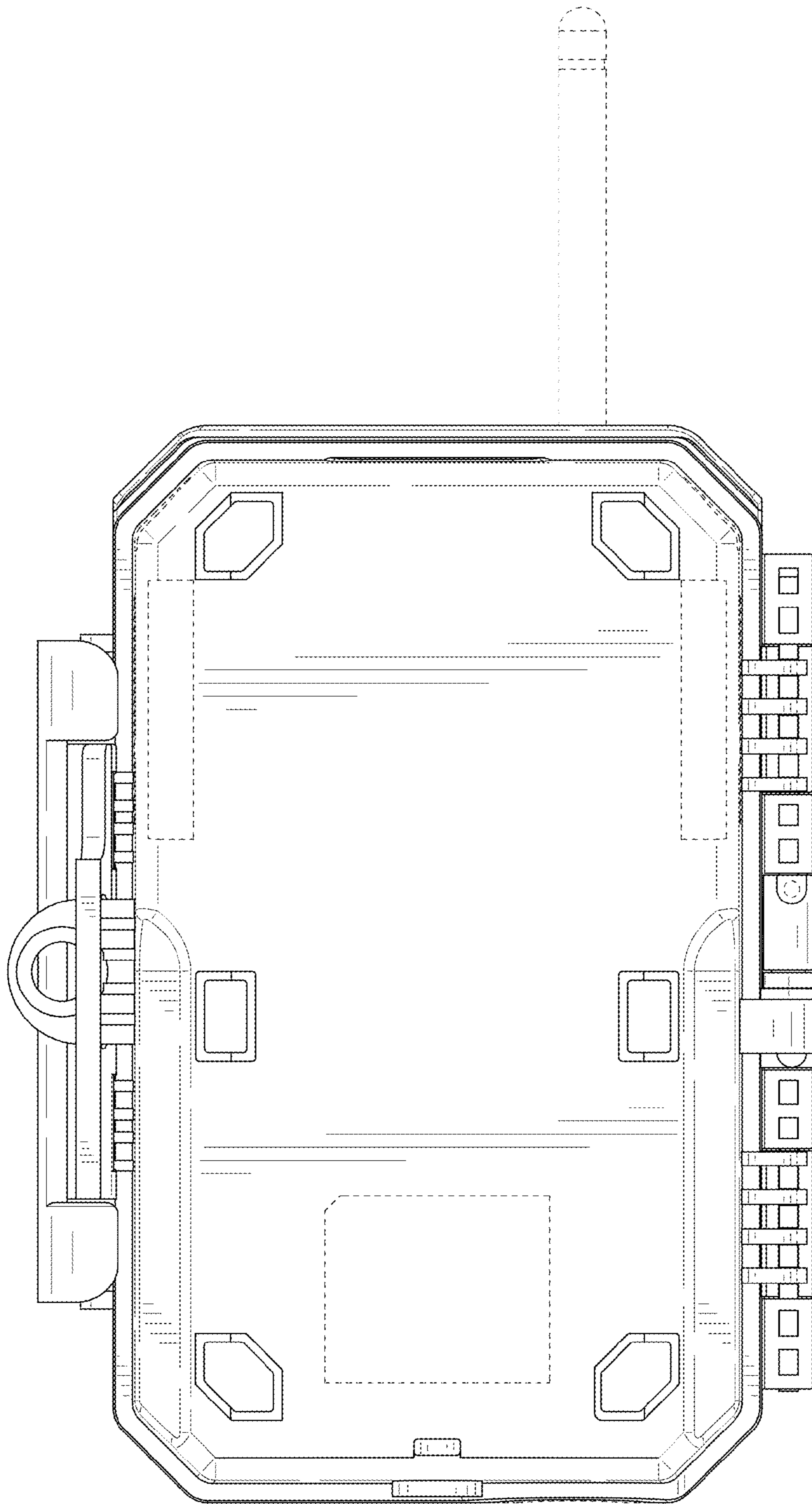


FIG. 4

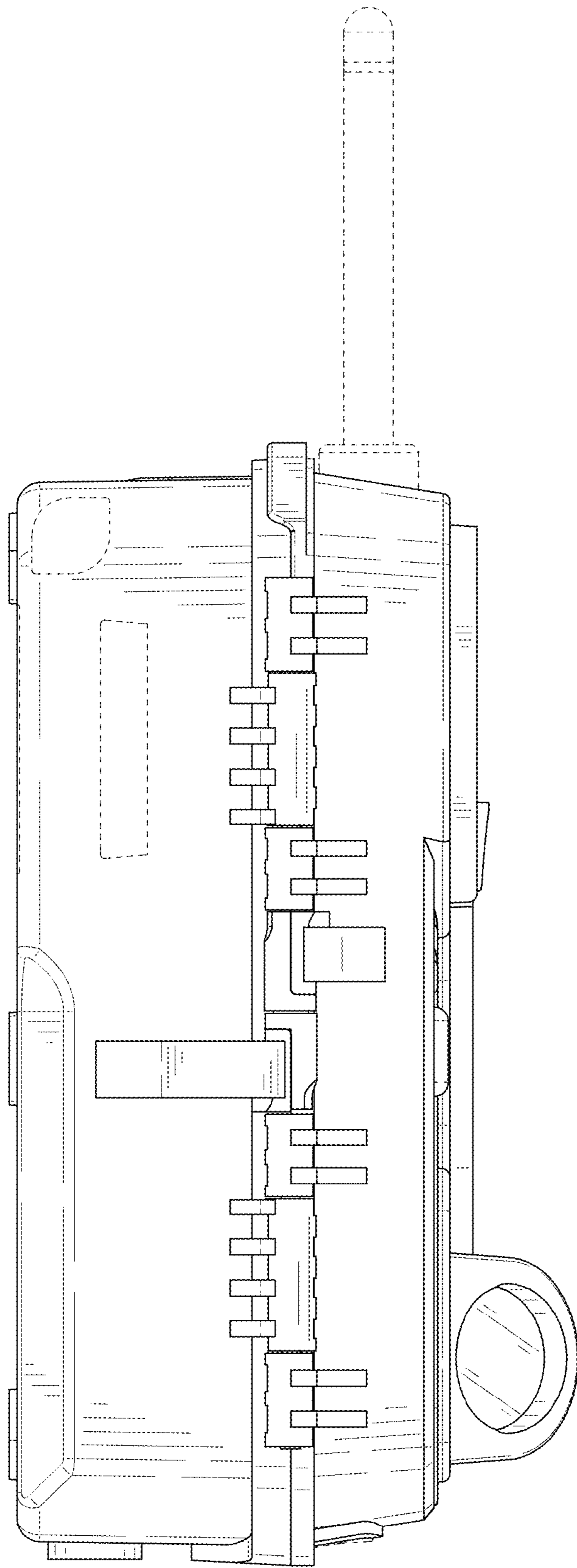


FIG. 5

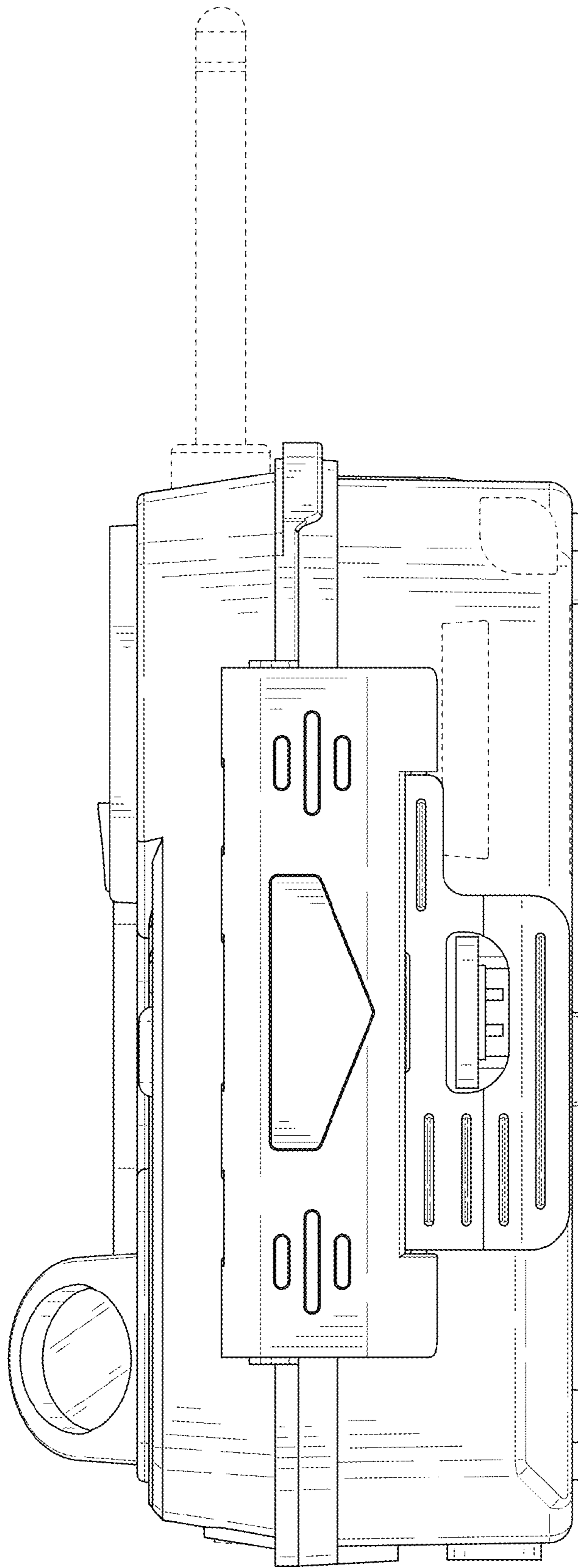


FIG. 6



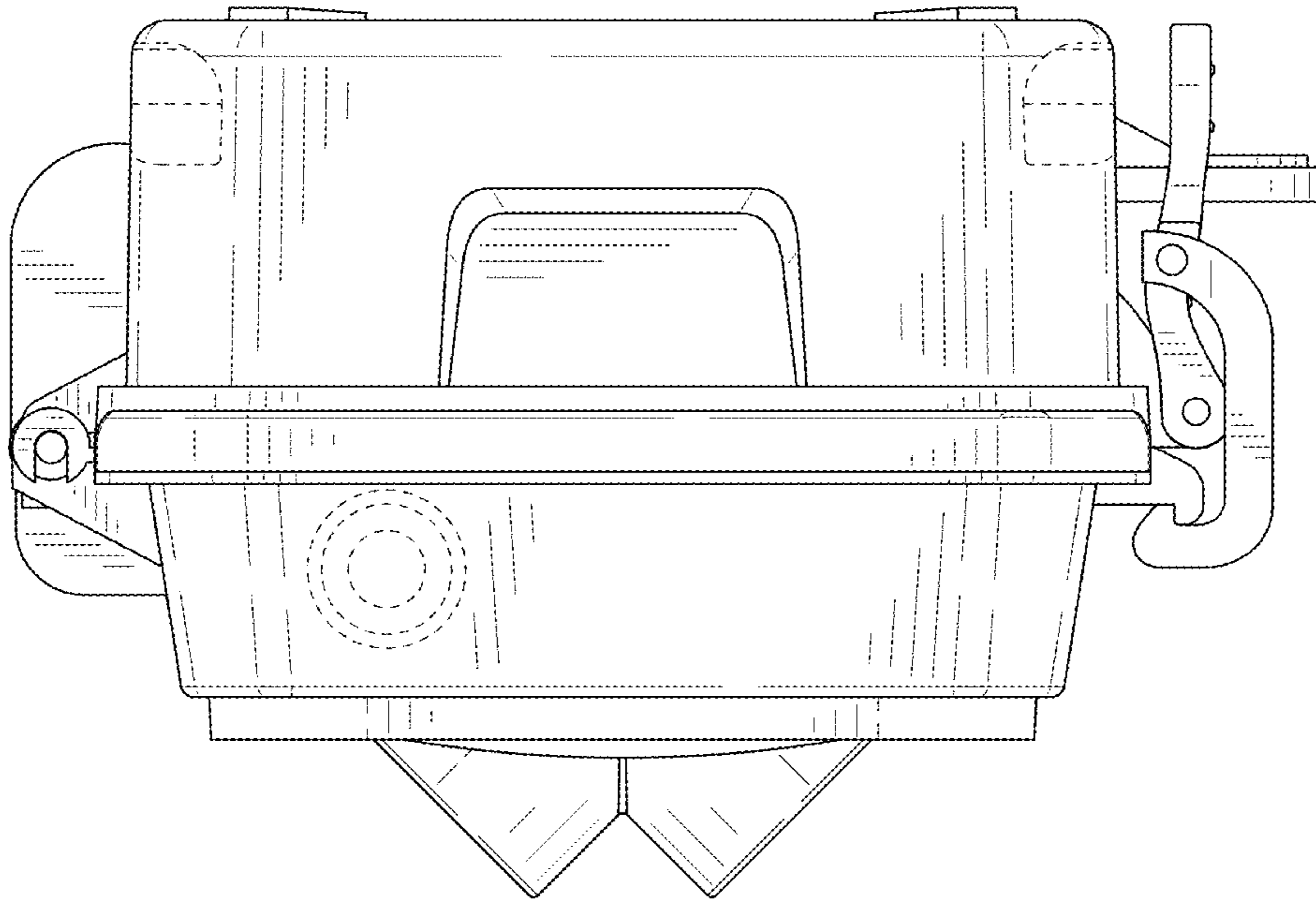


FIG. 7

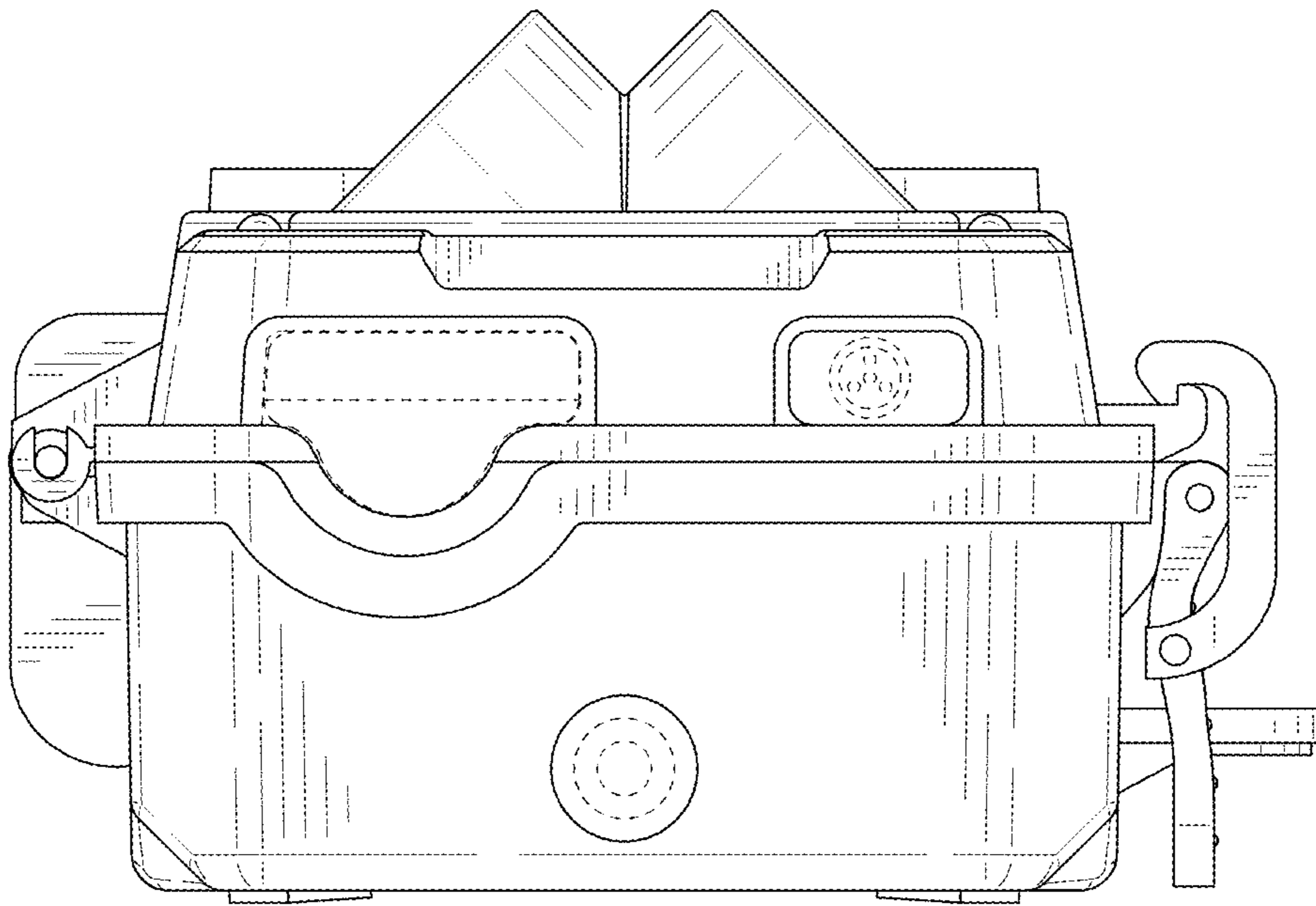


FIG. 8

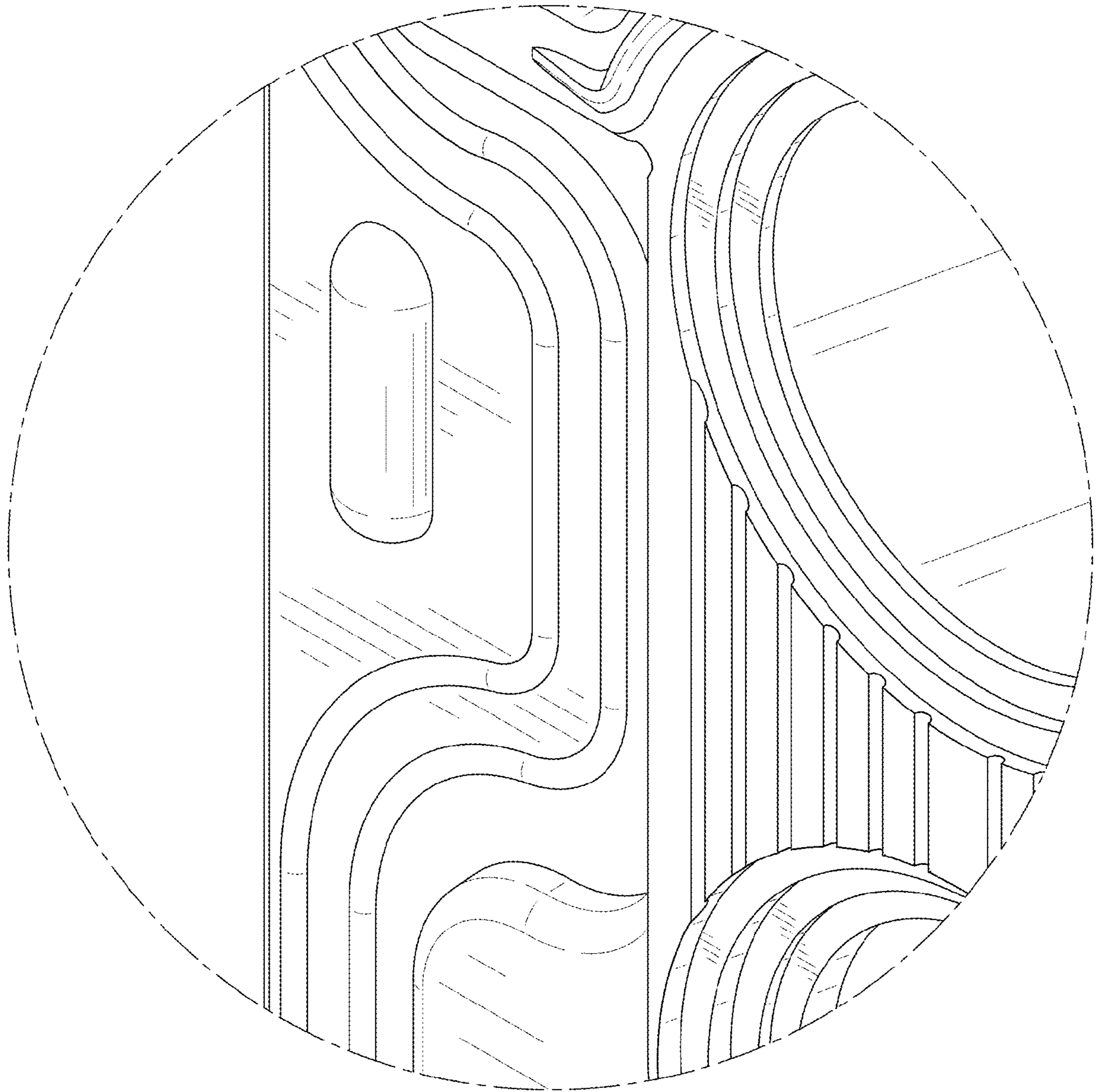


FIG. 9