



US00D957499S

(12) **United States Design Patent**
Mori

(10) **Patent No.:** **US D957,499 S**
(45) **Date of Patent:** **** Jul. 12, 2022**

(54) **DIGITAL CAMERA**

(71) Applicant: **FUJIFILM Corporation**, Tokyo (JP)

(72) Inventor: **Megumi Mori**, Saitama (JP)

(73) Assignee: **FUJIFILM Corporation**, Tokyo (JP)

(**) Term: **15 Years**

(21) Appl. No.: **29/756,312**

(22) Filed: **Oct. 27, 2020**

(30) **Foreign Application Priority Data**

May 29, 2020 (JP) 2020-010734 D

(51) **LOC (13) Cl.** **16-01**

(52) **U.S. Cl.**
USPC **D16/202**

(58) **Field of Classification Search**

USPC D16/200, 202, 206, 208, 217, 218, 219
CPC G03B 13/02; G03B 17/02; G03B 15/03;
G03B 2219/02; H04N 5/2251; H04N
5/2252; H04N 5/2253; H04N 5/2254;
H04N 5/2255; H04N 5/23216; H04N
5/232939; H04N 2101/00

See application file for complete search history.

(56) **References Cited**

U.S. PATENT DOCUMENTS

D852,254 S * 6/2019 Saito D16/202
D865,031 S * 10/2019 Saito D16/219
D883,356 S * 5/2020 Ikegame D16/202
D884,774 S * 5/2020 Kamei D16/219

FOREIGN PATENT DOCUMENTS

JP D1560766 * 10/2016

OTHER PUBLICATIONS

“Leica Q2 Monochrom” retrieved from leicacamerausa.com retrieved on Nov. 12, 2021 from <https://leicacamerausa.com/leica-q2-monochrom.html?gclid=EAIaIQobChMlqbecz_ is9AIV6GxvBB0MaQPaeAAAYAAEgKU4vD_BwE> (Year: 2021).*

* cited by examiner

Primary Examiner — Rosemary K Tarcza

Assistant Examiner — Lacey Chey Bowman

(74) *Attorney, Agent, or Firm* — Stuebaker & Brackett PC

(57) **CLAIM**

The ornamental design for a digital camera, as shown and described.

DESCRIPTION

FIG. 1 is a front perspective view of a digital camera, showing the new design;
FIG. 2 is a rear perspective view thereof;
FIG. 3 is a front view thereof;
FIG. 4 is a rear view thereof;
FIG. 5 is a right side view thereof;
FIG. 6 is a left side view thereof;
FIG. 7 is a top view thereof; and,
FIG. 8 is a bottom view thereof.

The broken lines showing the digital camera illustrate the environment of the claimed design and form no part thereof.

1 Claim, 8 Drawing Sheets

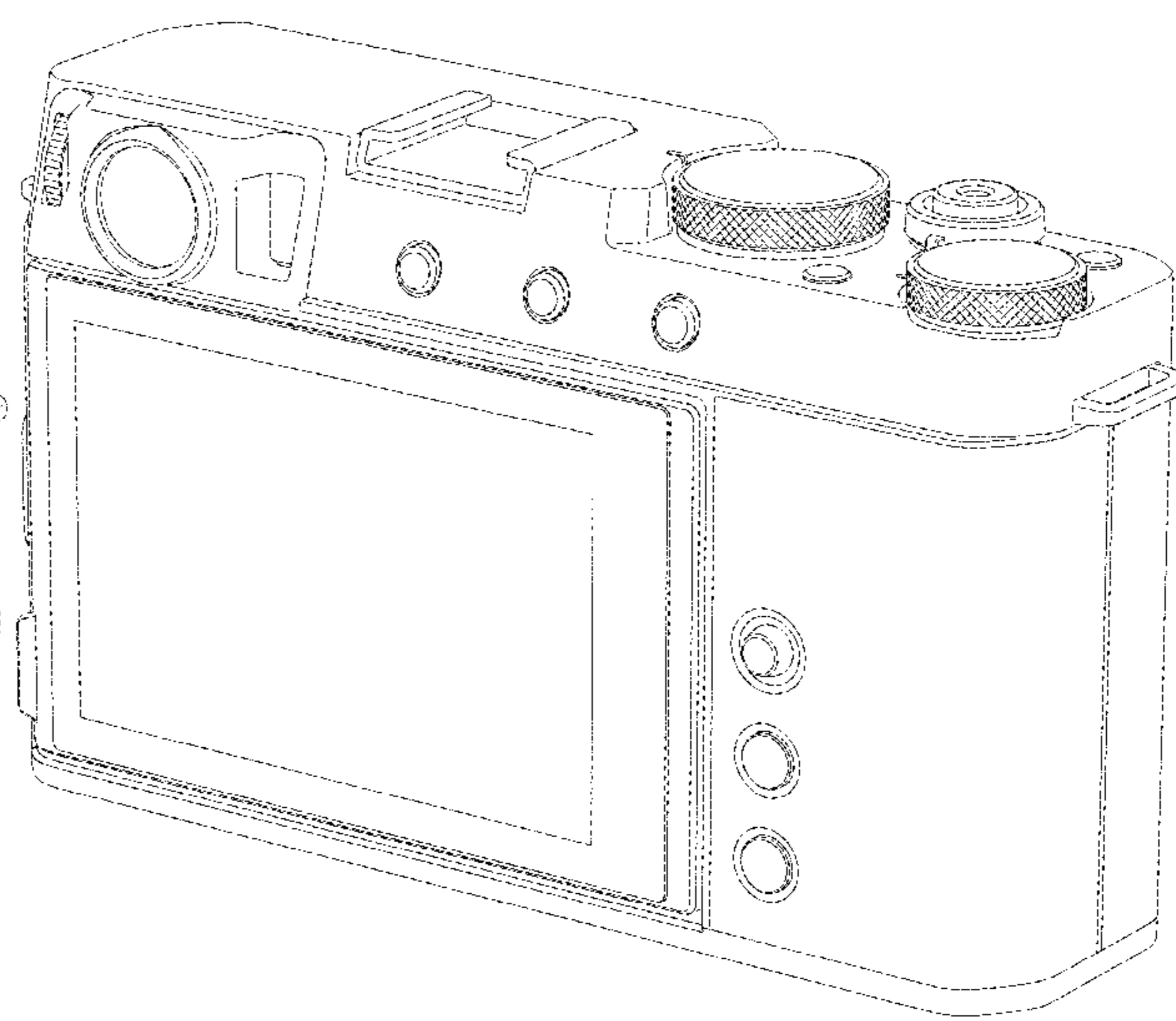
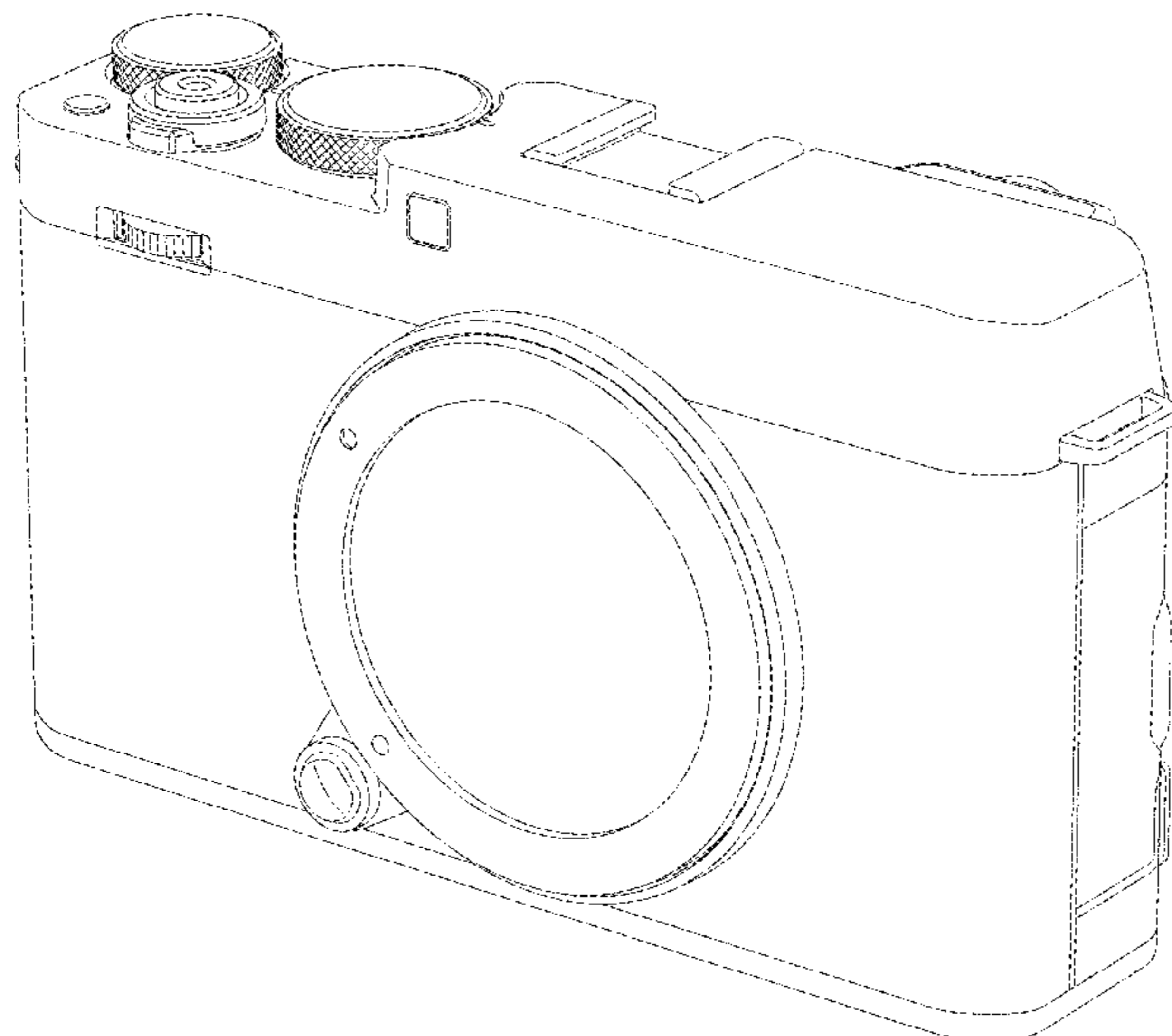


FIG.1

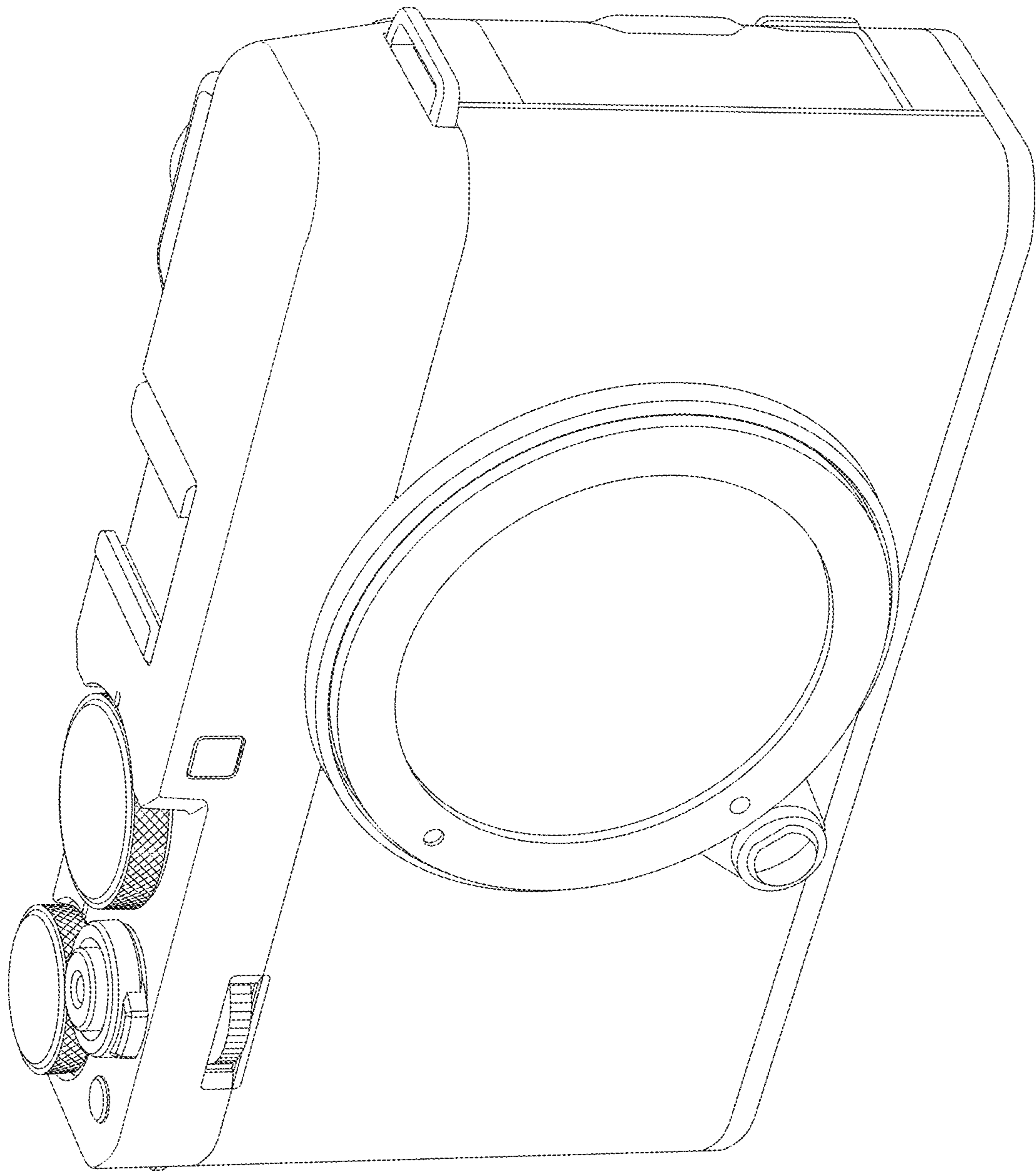


FIG.2

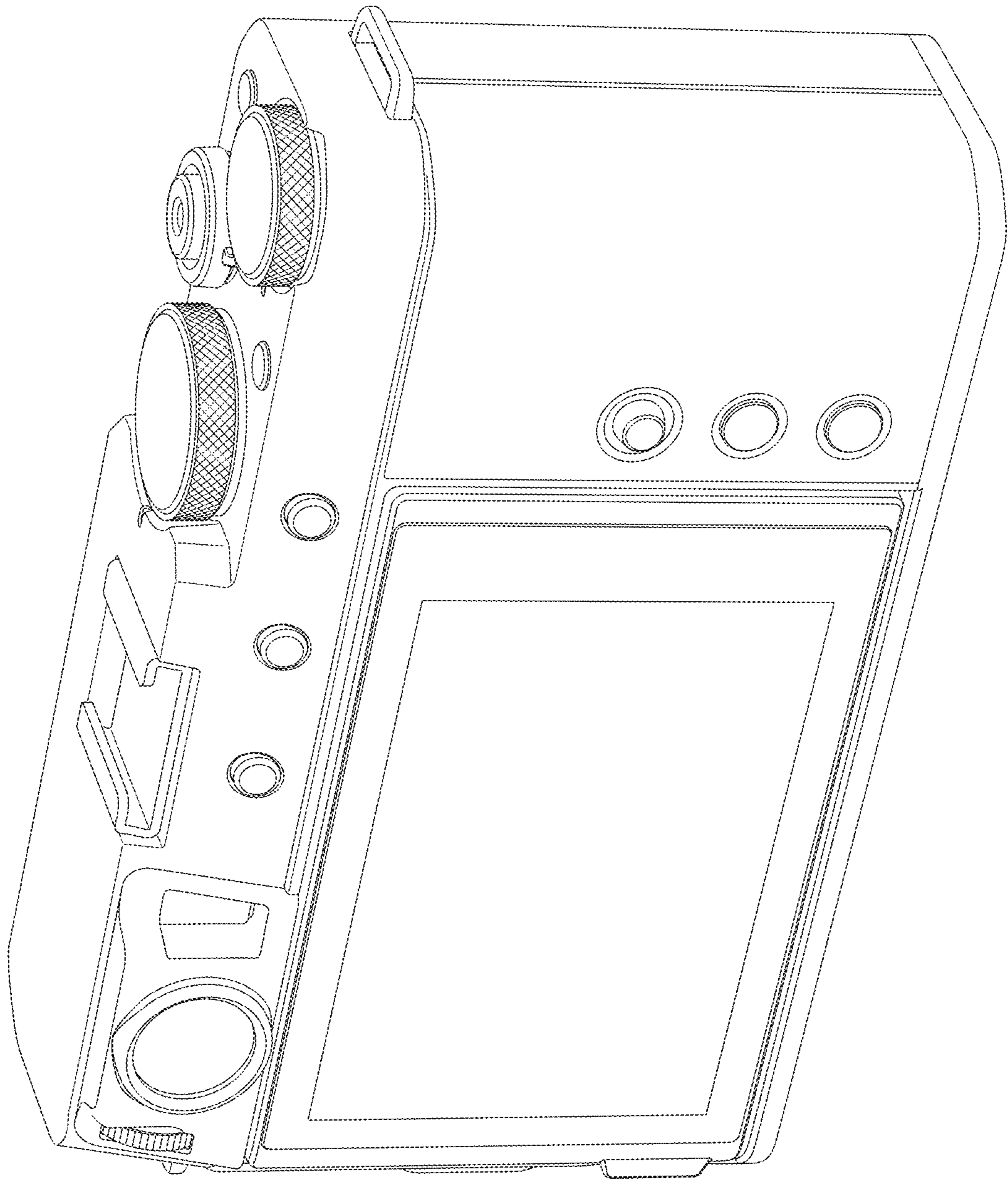


FIG.3

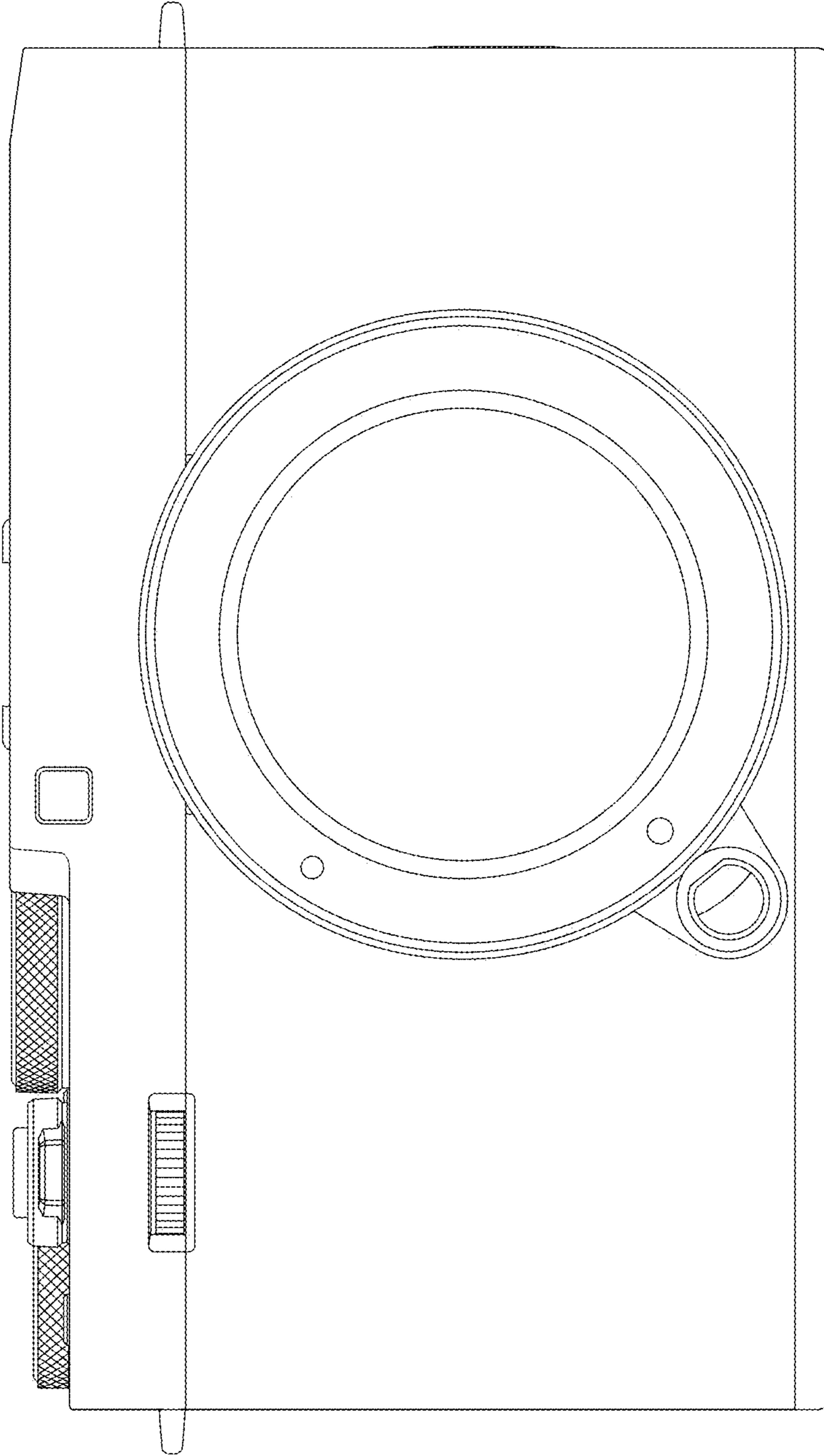


FIG.4

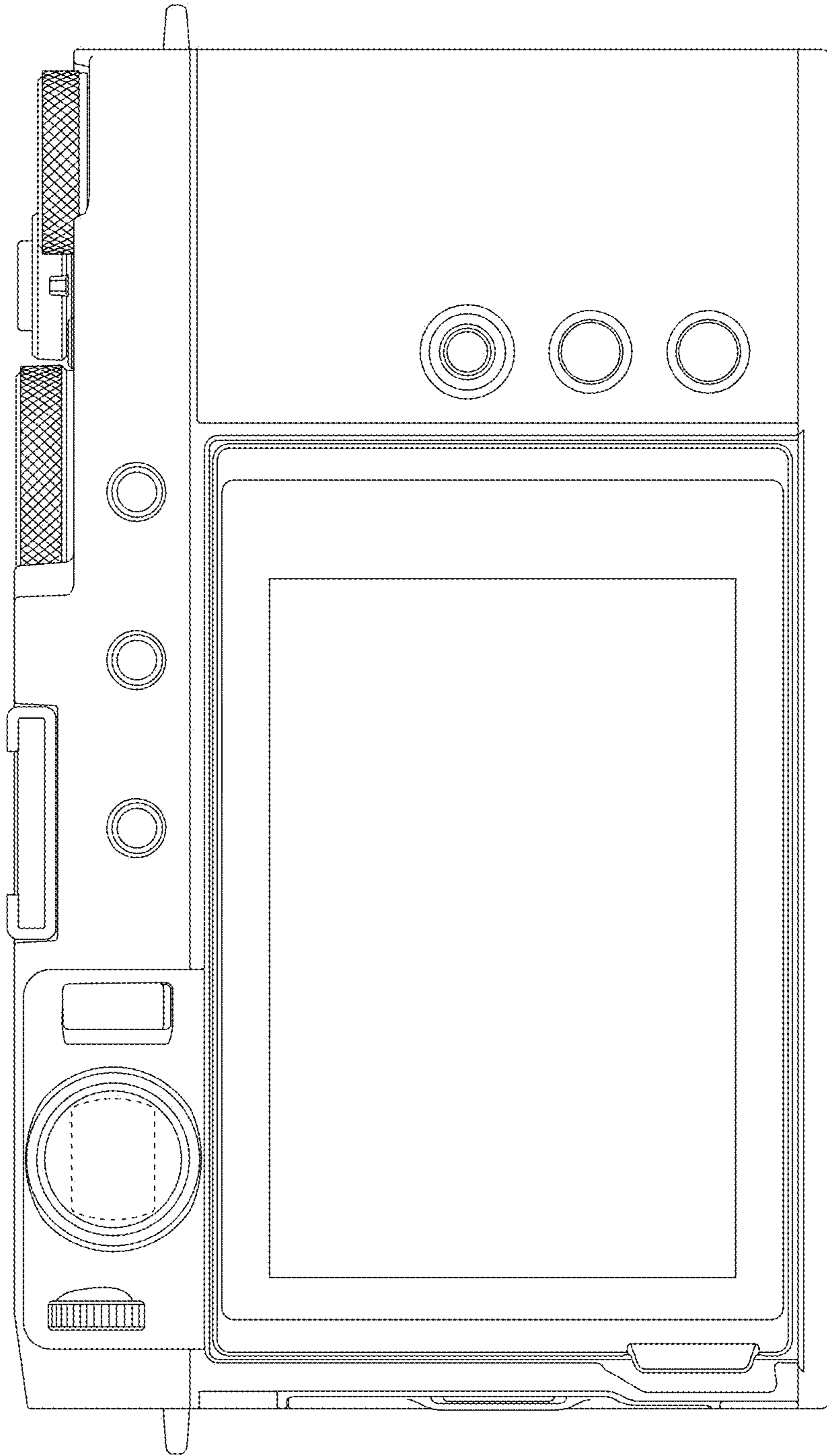


FIG.5

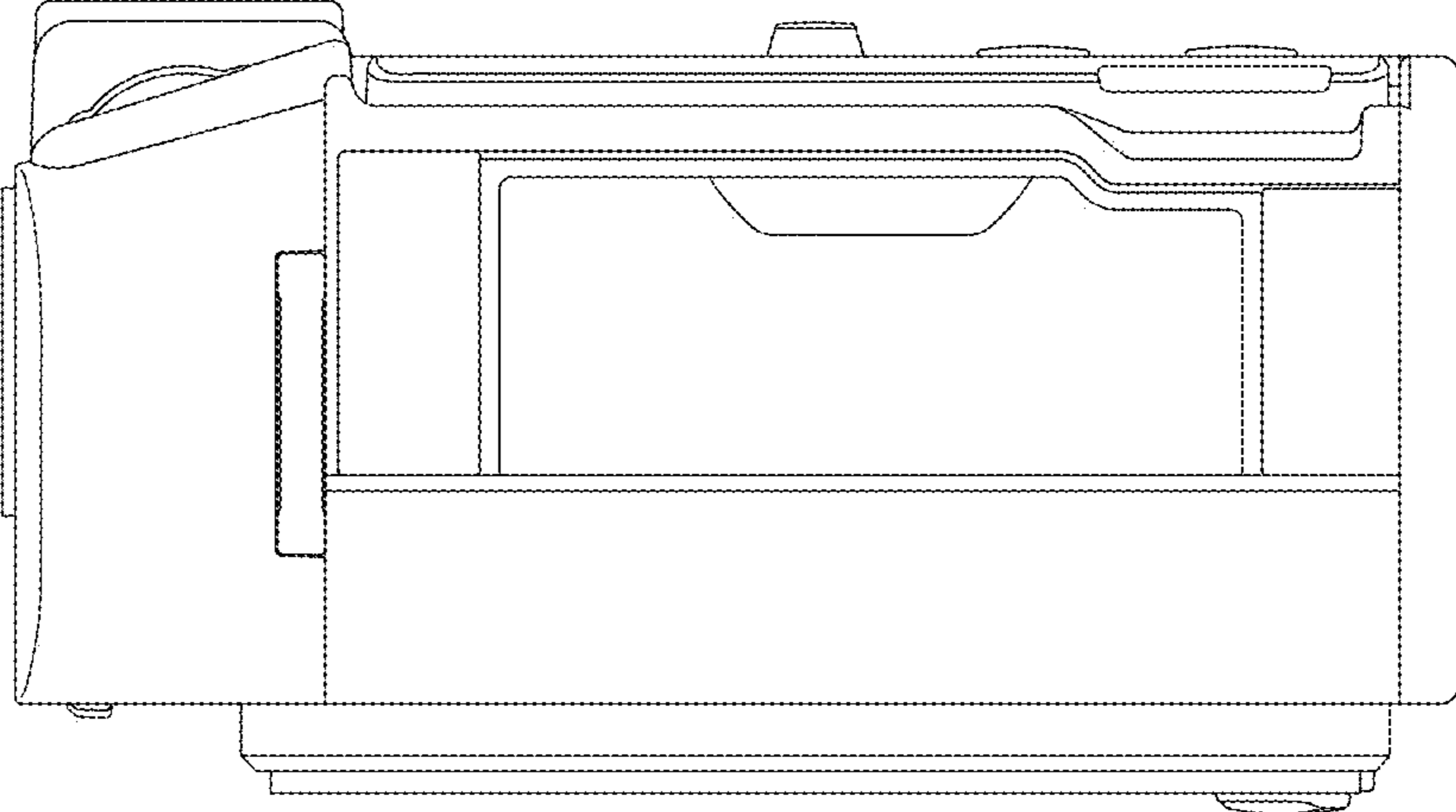


FIG.6

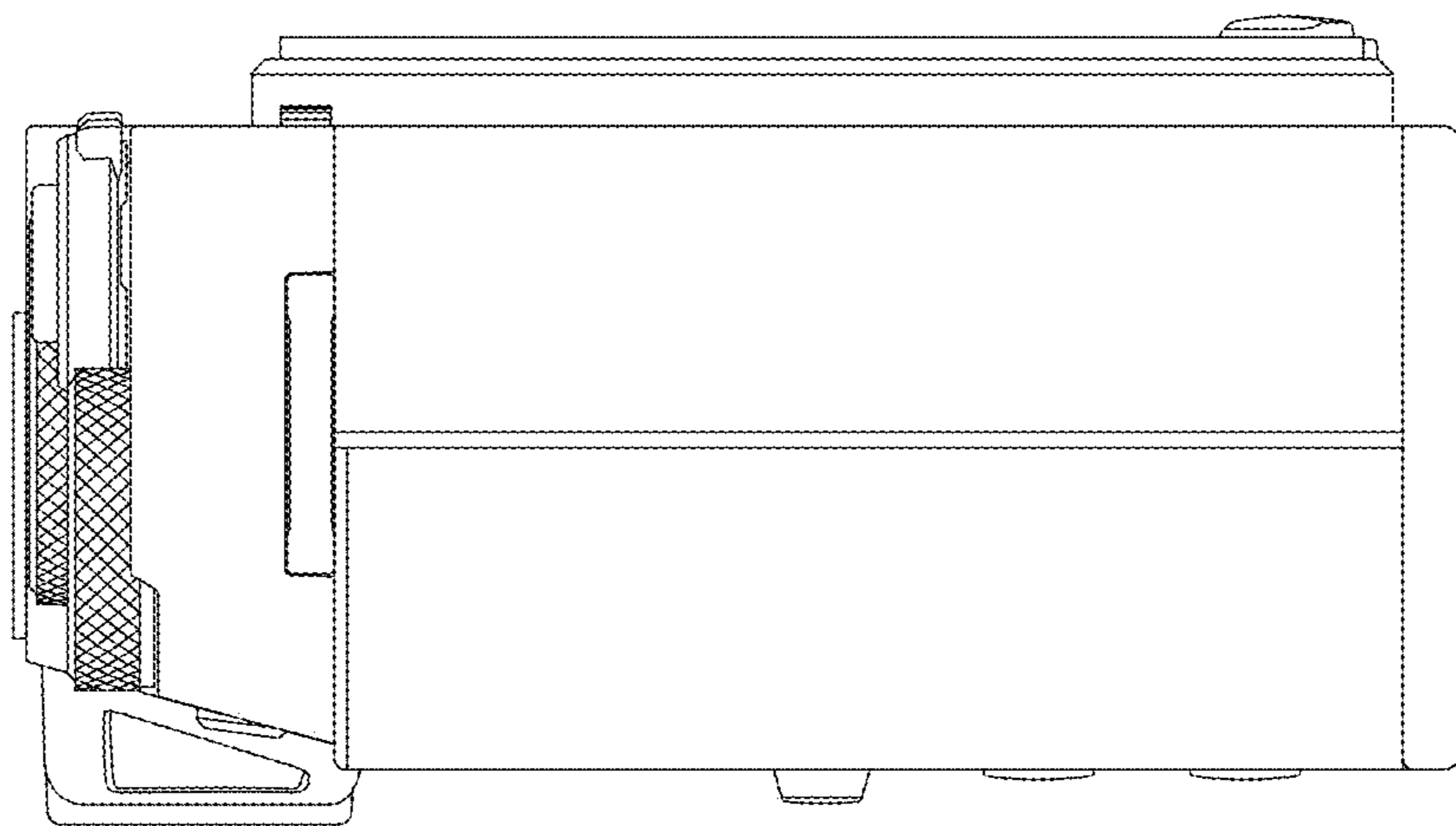


FIG.7

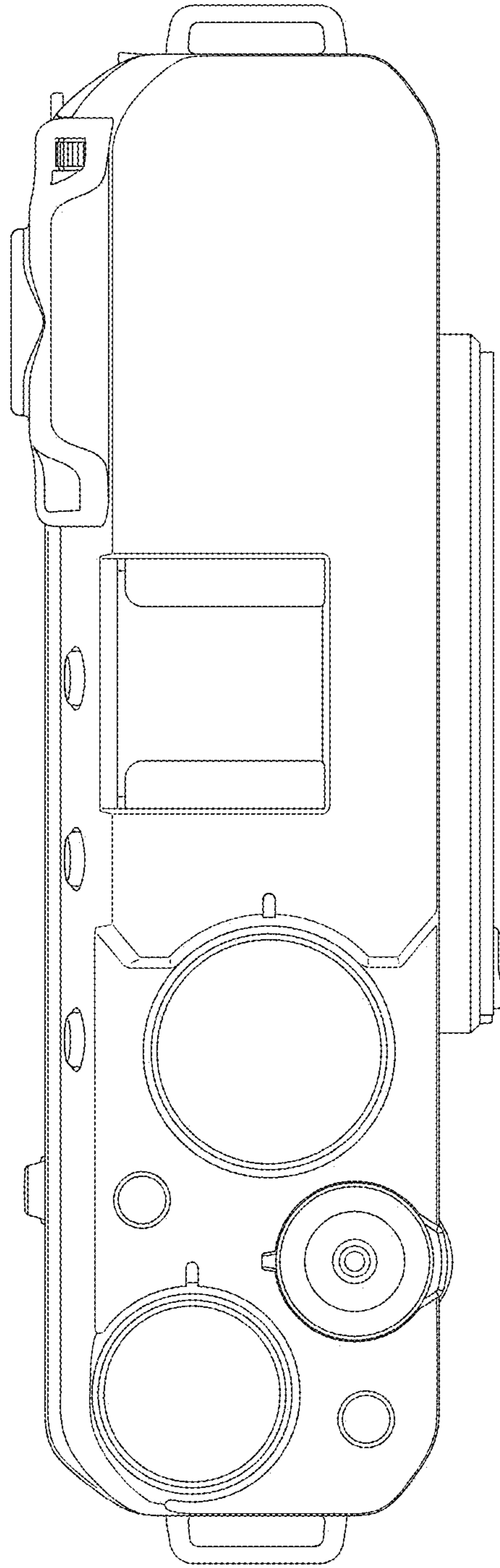


FIG.8

