



US00D957496S

(12) **United States Design Patent**
Chen

(10) **Patent No.:** **US D957,496 S**

(45) **Date of Patent:** **** Jul. 12, 2022**

- (54) **NIGHT VISION MONOCULAR**
- (71) Applicant: **Dongguan Aomeijia Electronic Co., Ltd.**, Dongguan (CN)
- (72) Inventor: **Zhujun Chen**, Dongguan (CN)
- (73) Assignee: **Dongguan Aomeijia Electronic Co., Ltd.**, Dongguan (CN)

D842,723 S *	3/2019	Nyhart	D10/70
D845,795 S *	4/2019	Kim	D10/70
D868,130 S	11/2019	Grasheim	
D886,176 S *	6/2020	Wu	D16/132
D895,457 S *	9/2020	Zhang	D10/70
D903,735 S	12/2020	Chen	
D933,114 S *	10/2021	Lai	D16/132
D946,073 S *	3/2022	Radau	D16/202
2014/0063261 A1 *	3/2014	Betensky	G02B 23/145 348/158

(**) Term: **15 Years**

(21) Appl. No.: **29/799,053**

(22) Filed: **Jul. 12, 2021**

(30) **Foreign Application Priority Data**

Jul. 6, 2021 (CN) 202130422806.0

(51) **LOC (13) Cl.** **16-06**

(52) **U.S. Cl.**
USPC **D16/133**

(58) **Field of Classification Search**
USPC D16/130, 131, 132, 133, 135, 136, 200,
D16/202, 203, 219, 230; D10/70

CPC G02B 23/00; G02B 23/12; G02B 23/16;
G02B 23/18

See application file for complete search history.

(56) **References Cited**

U.S. PATENT DOCUMENTS

D453,301 S *	2/2002	Vermillion	D10/66
D522,031 S	5/2006	Siu	
D525,544 S *	7/2006	Nojima	D10/70
D532,026 S *	11/2006	Sosniak	D16/130
D554,547 S *	11/2007	Lin	D10/70
D564,555 S	3/2008	Palmer	
D647,159 S *	10/2011	Kobayashi	D22/109
D676,886 S	2/2013	Hoshi	
D716,858 S *	11/2014	Kobayashi	D16/132

OTHER PUBLICATIONS

Night vision Monocular factory price GD digital, <https://www.gaodicam.com/products-detail-157322>, retrieved Mar. 21, 2022 (Year: 2022).*

* cited by examiner

Primary Examiner — Richard Kearney
Assistant Examiner — Benjamin M Weeks

(57) **CLAIM**

The ornamental design for a night vision monocular, as shown and described.

DESCRIPTION

FIG. 1 is a perspective view of a night vision monocular showing my new design;

FIG. 2 is another perspective view of the night vision monocular shown in FIG. 1;

FIG. 3 is a front elevational view thereof;

FIG. 4 is a rear elevational view thereof;

FIG. 5 is a left side elevational view thereof;

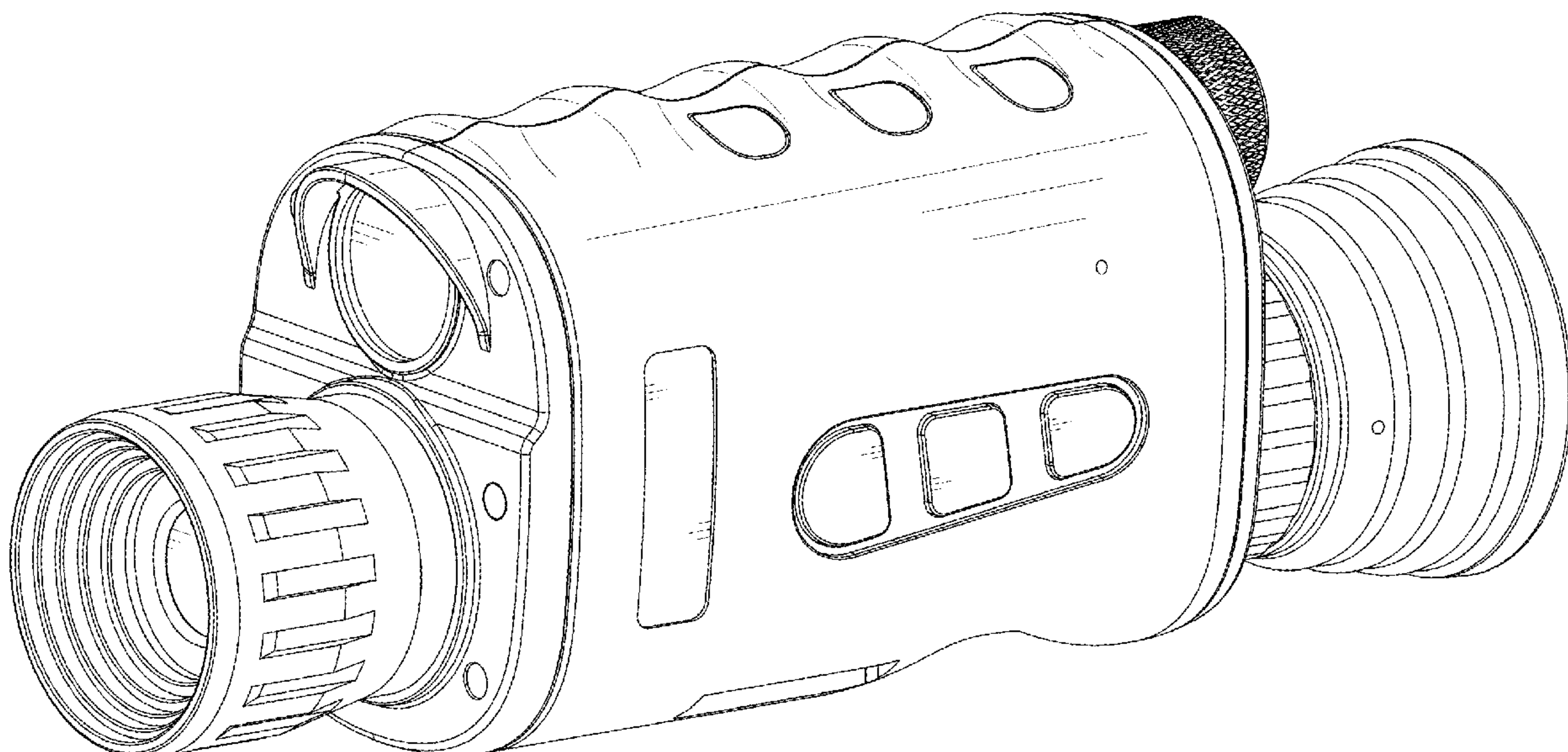
FIG. 6 is a right side elevational view thereof;

FIG. 7 is a top plan view thereof; and,

FIG. 8 is a bottom plan view thereof.

The broken lines in the drawings depict portions of the night vision monocular that form no part of the claimed design.

1 Claim, 8 Drawing Sheets



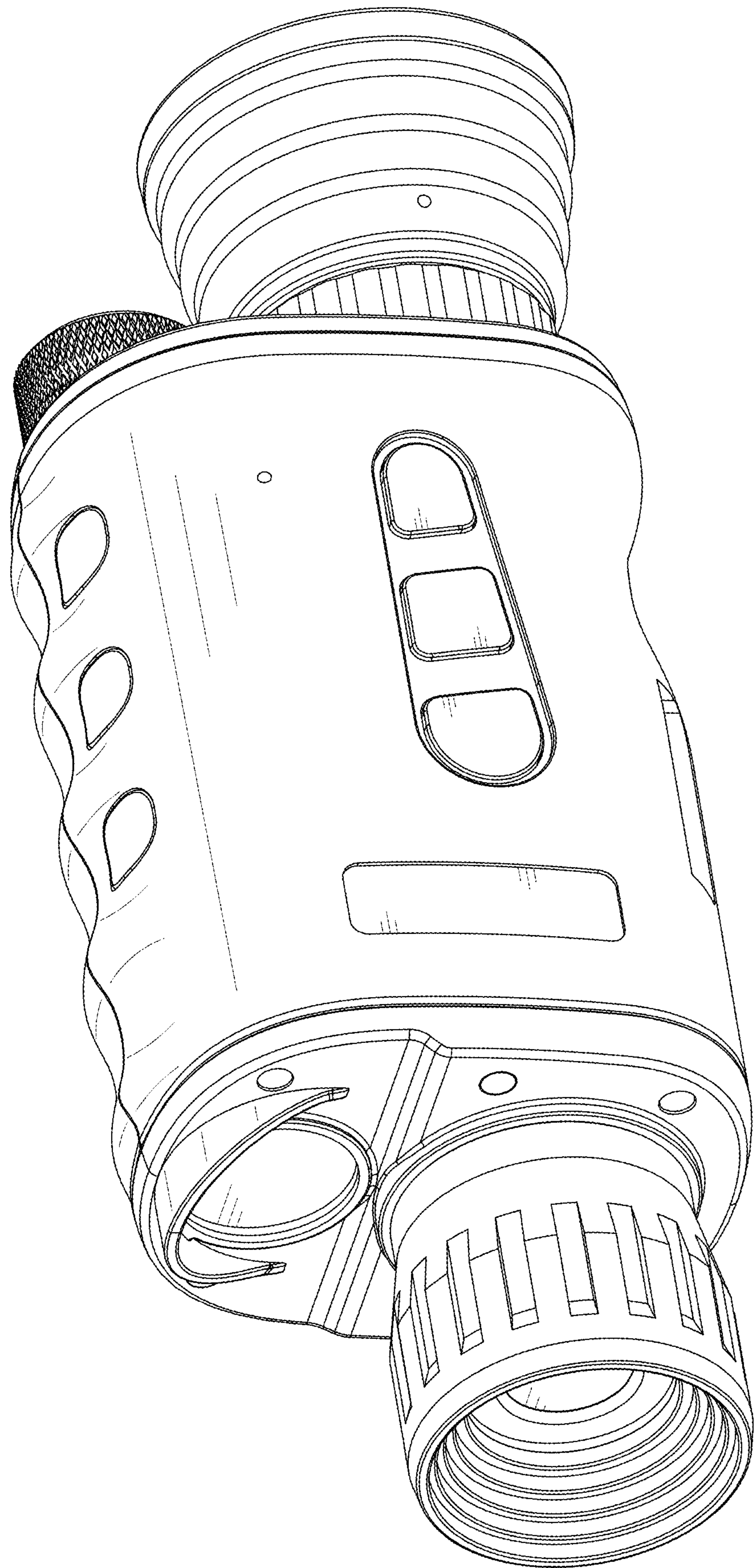


FIG. 1

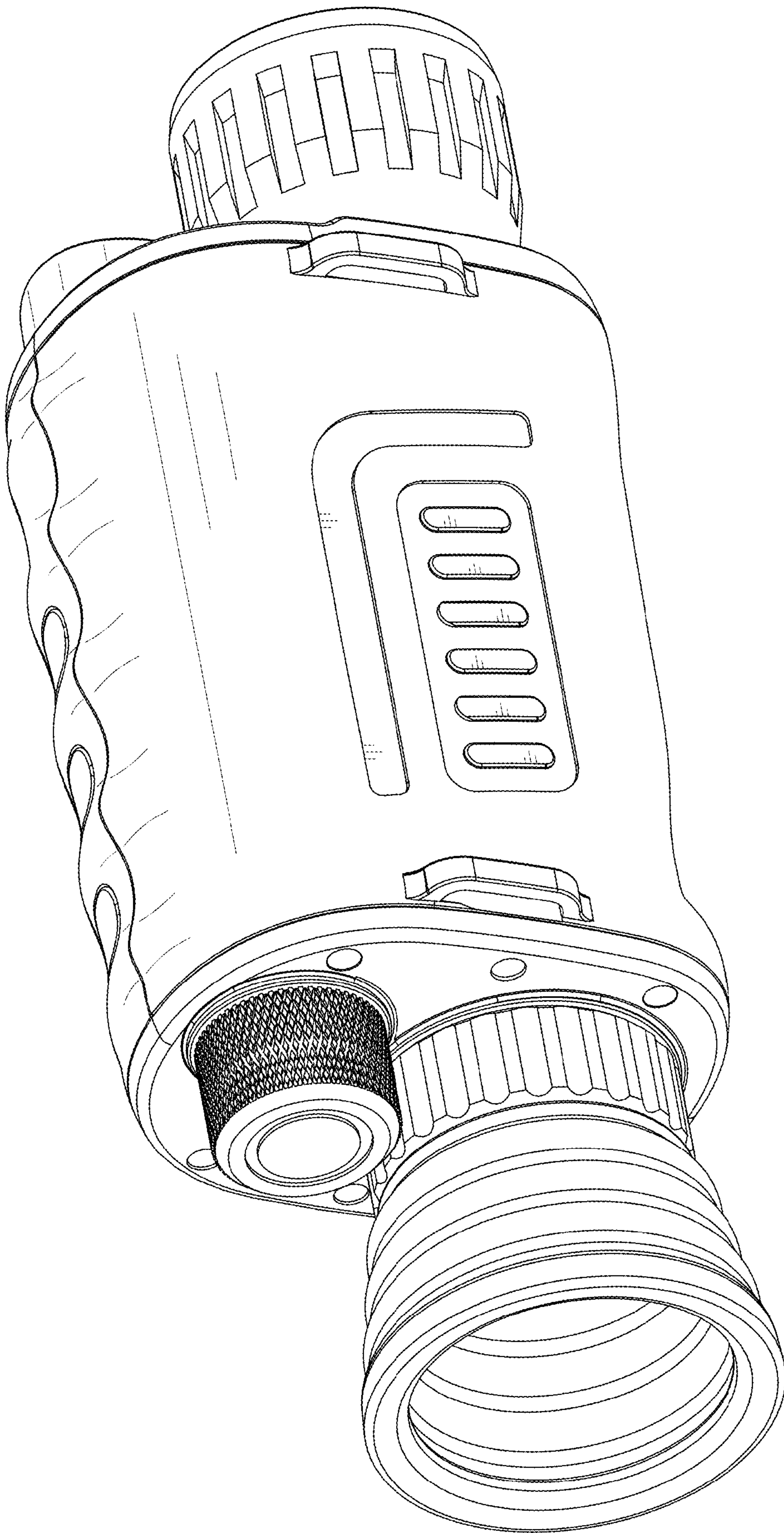


FIG. 2

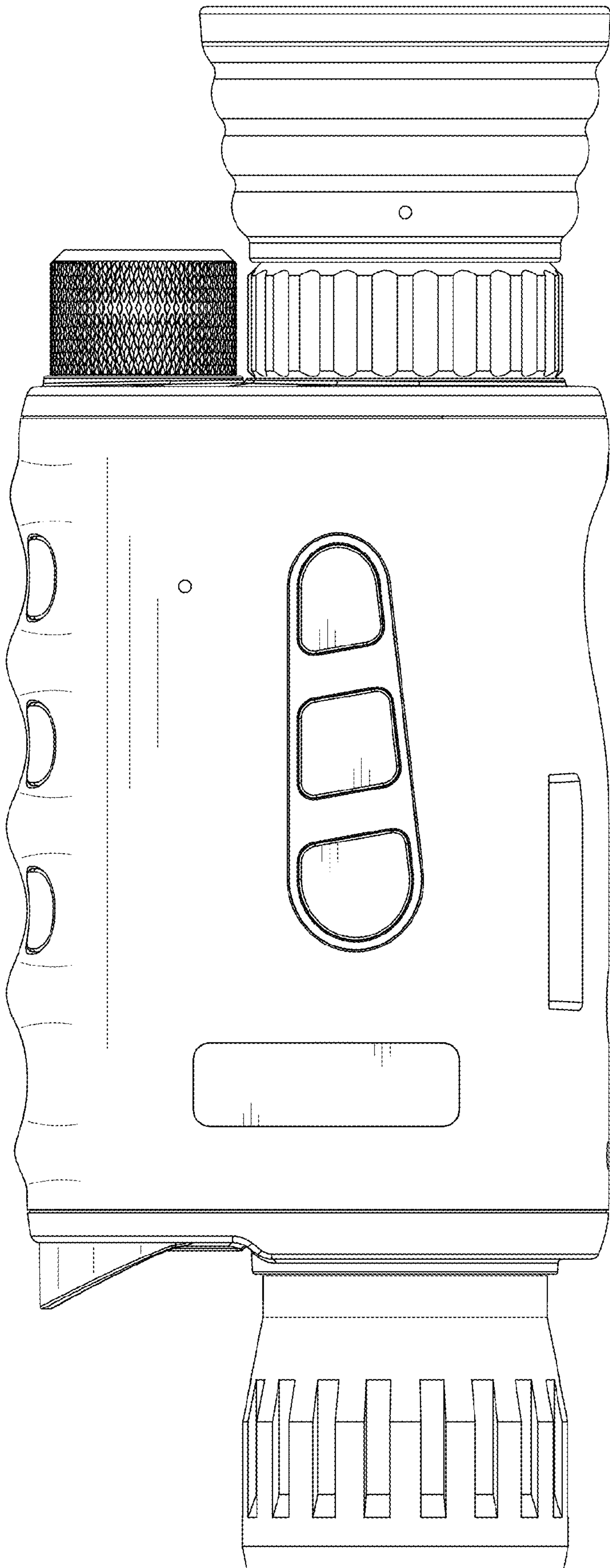


FIG. 3

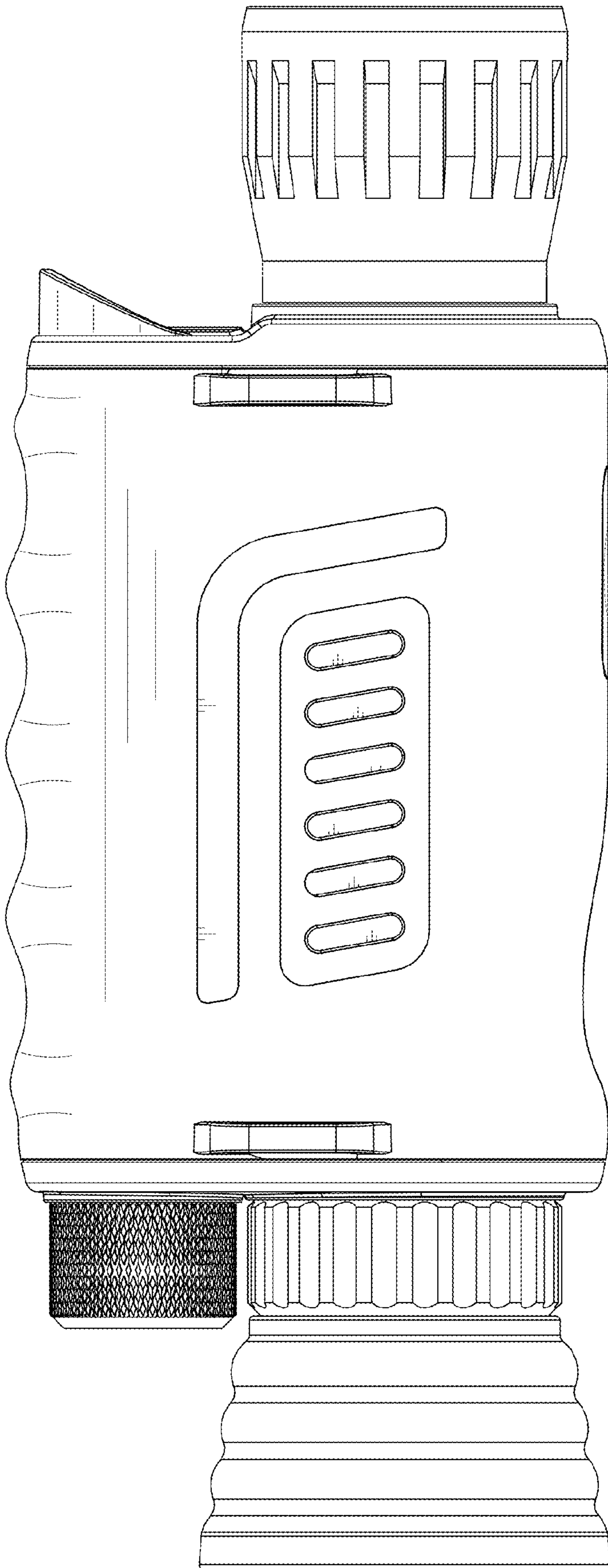


FIG. 4

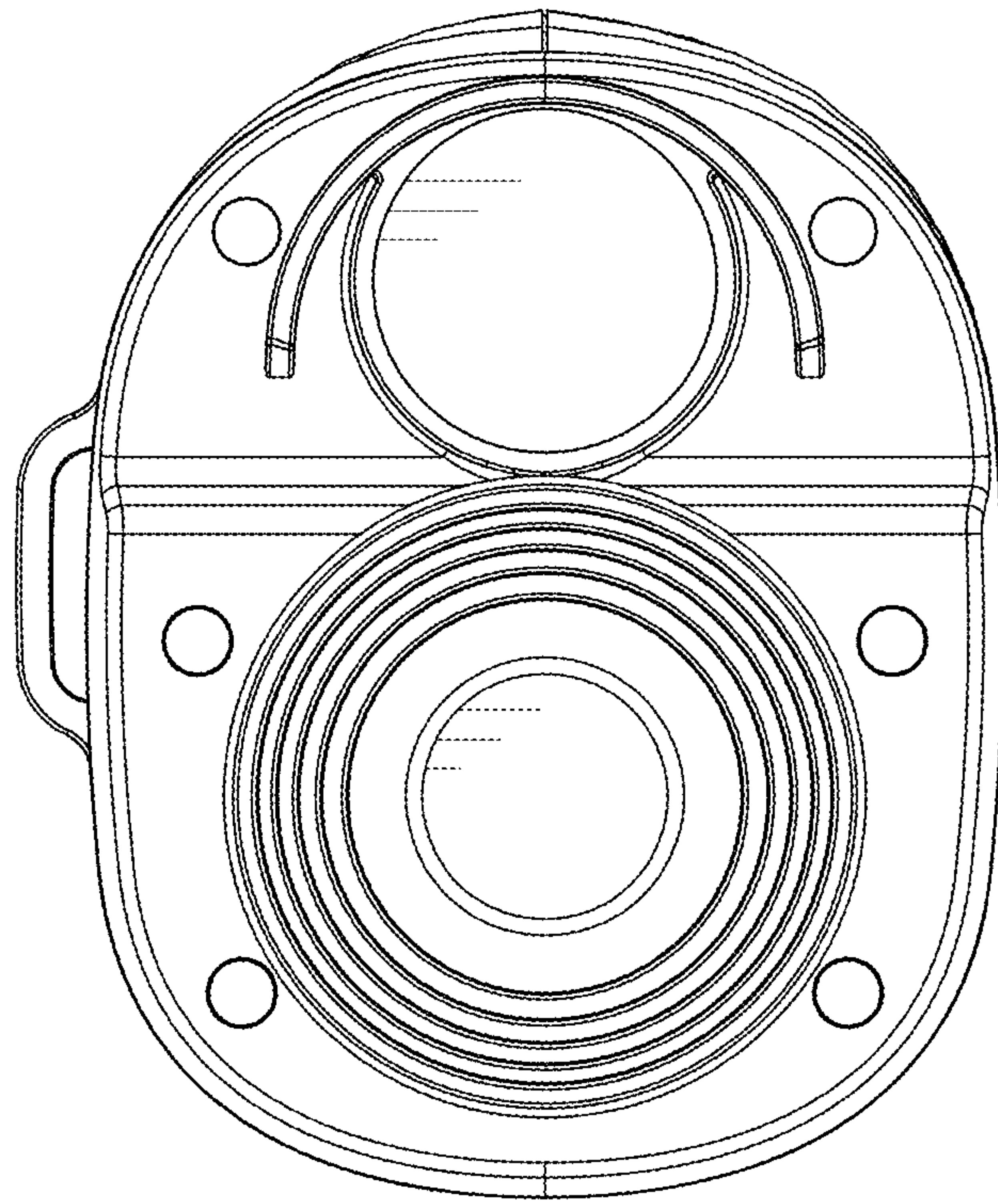


FIG. 5

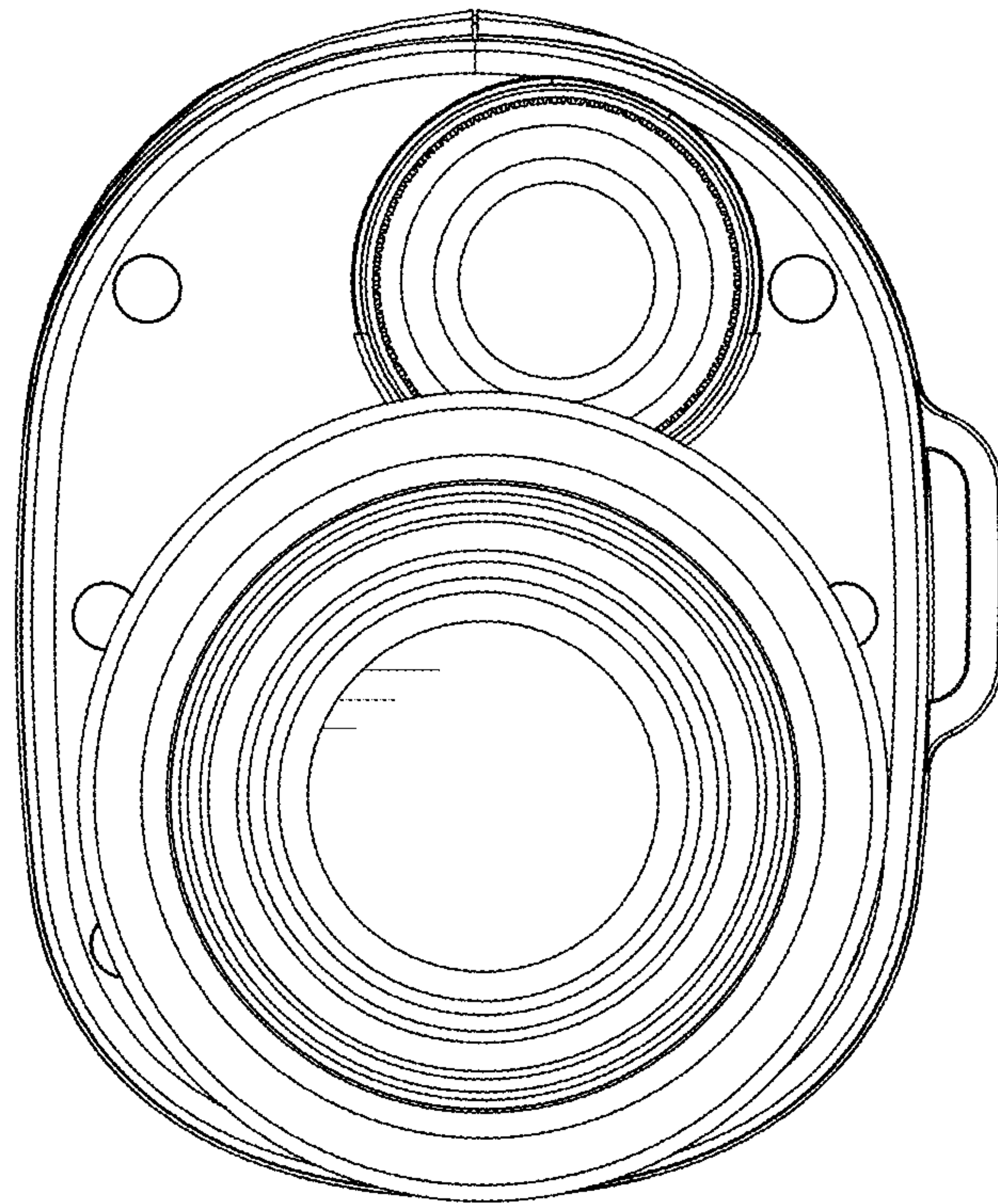


FIG. 6

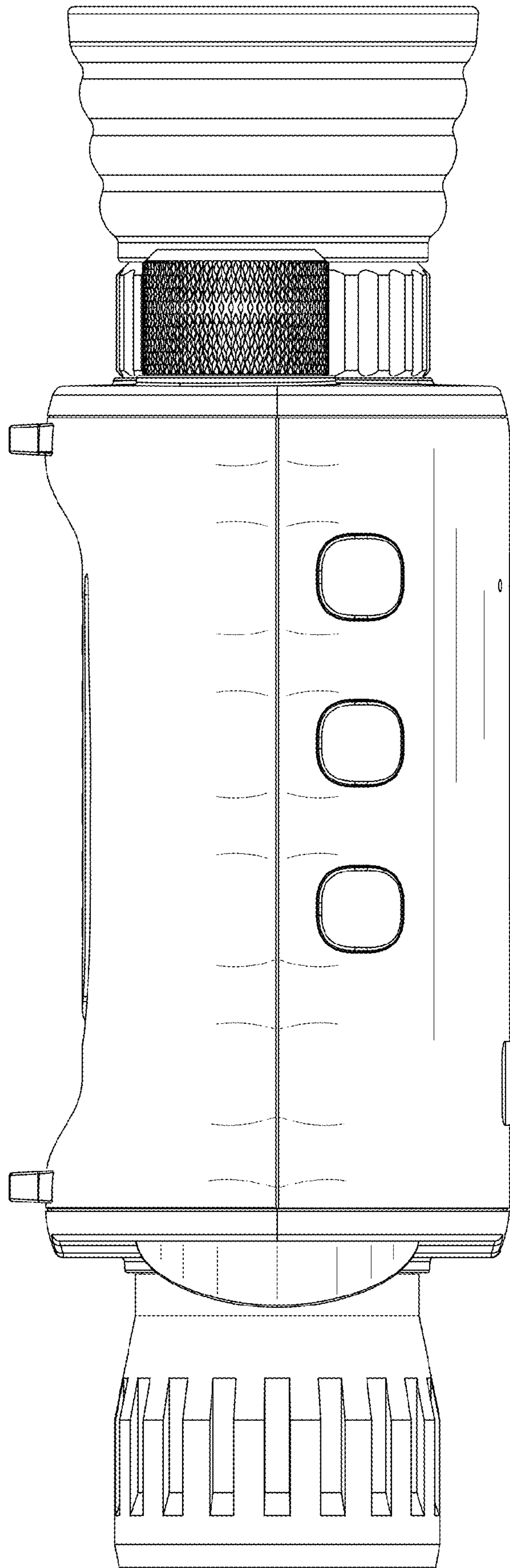


FIG. 7

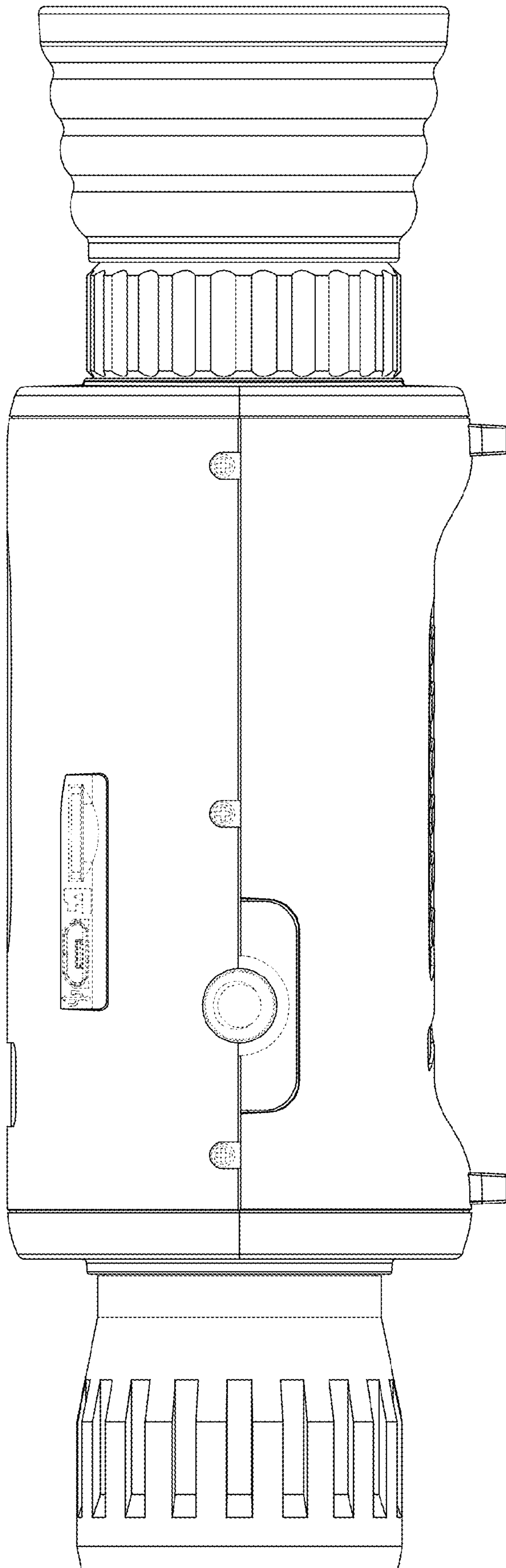


FIG. 8