



US00D957495S

(12) **United States Design Patent**
Wang

(10) **Patent No.:** **US D957,495 S**
(45) **Date of Patent:** **** Jul. 12, 2022**

(54) **DIGITAL NIGHT VISION DEVICE**

(71) Applicant: **Shenzhen Pard Technology Co., Ltd,**
Shenzhen (CN)

(72) Inventor: **Zhike Wang,** Hengyang (CN)

(**) Term: **15 Years**

(21) Appl. No.: **29/757,657**

(22) Filed: **Nov. 9, 2020**

(30) **Foreign Application Priority Data**

Nov. 3, 2020 (CN) 202030659646.7

(51) **LOC (13) Cl.** **16-06**

(52) **U.S. Cl.**
USPC **D16/133**

(58) **Field of Classification Search**
USPC D16/130, 131, 132, 133, 135, 136, 200,
D16/202, 203, 219, 230; D10/70
CPC G02B 23/00; G02B 23/16; G02B 23/12;
G02B 23/18
See application file for complete search history.

(56) **References Cited**

U.S. PATENT DOCUMENTS

- D248,860 S * 8/1978 Spranger D16/132
- 5,331,459 A * 7/1994 Dor G02B 23/125
359/630
- D380,222 S * 6/1997 Bryant D16/132
- 5,796,516 A * 8/1998 Palmer G02B 23/12
359/399
- D413,130 S * 8/1999 Bryant D16/132

- 6,087,660 A * 7/2000 Morris H01J 29/98
250/214 VT
- 6,288,386 B1 * 9/2001 Bowen G02B 23/12
313/532
- D472,256 S * 3/2003 Schick D16/132
- D515,117 S * 2/2006 Verrier D16/132
- D518,498 S * 4/2006 Reed D16/132
- D533,573 S * 12/2006 Barber D16/132
- 8,080,904 B2 * 12/2011 Kim H01J 31/50
307/46
- D696,333 S * 12/2013 Takahashi D16/202
- 10,288,865 B2 * 5/2019 Prendergast A42B 3/0406
- D886,881 S * 6/2020 Wang D16/202

* cited by examiner

Primary Examiner — Richard Kearney
Assistant Examiner — Benjamin M Weeks

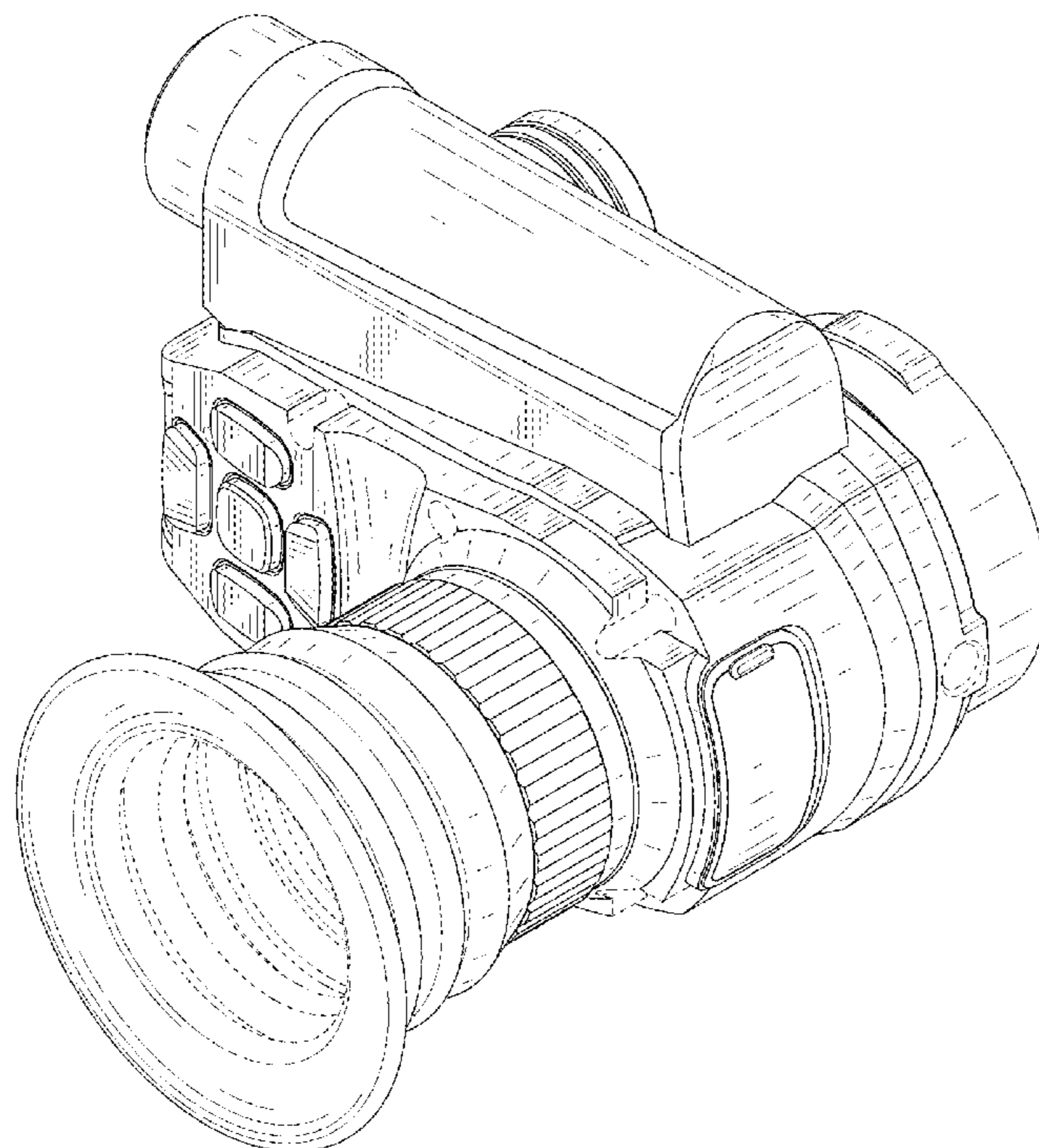
(57) **CLAIM**

The ornamental design for a digital night vision device, as shown and described.

DESCRIPTION

FIG. 1 is a first perspective view of a digital night vision device showing my new design;
FIG. 2 is a second perspective view thereof;
FIG. 3 is a front view thereof;
FIG. 4 is a back view thereof;
FIG. 5 is a left side view thereof;
FIG. 6 is a right side view thereof;
FIG. 7 is a top view thereof; and,
FIG. 8 is a bottom view thereof.
The broken lines shown in the drawings depict portions of the digital night vision device in which the design is embodied that form no part of the claimed design.

1 Claim, 8 Drawing Sheets



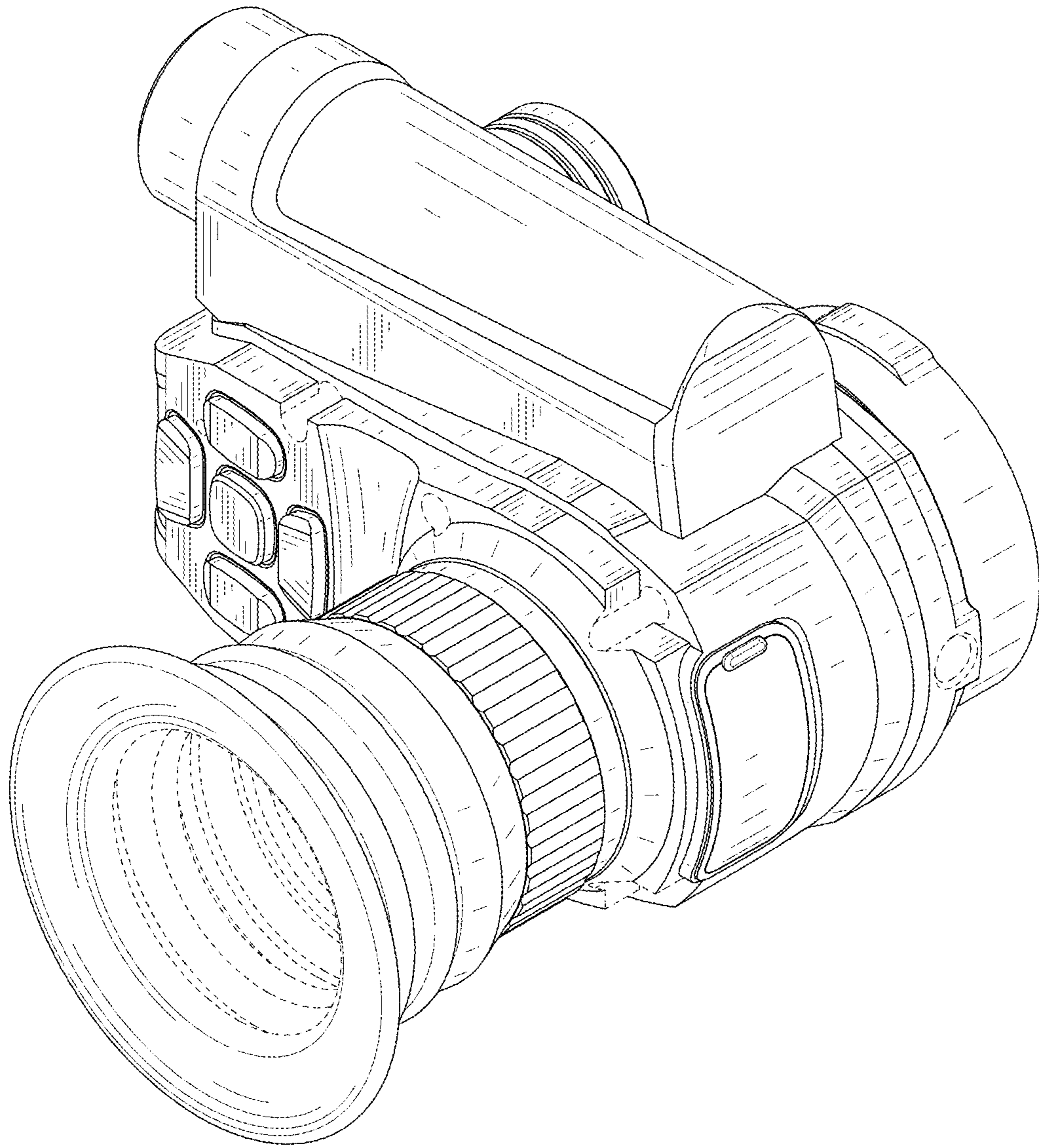


FIG. 1

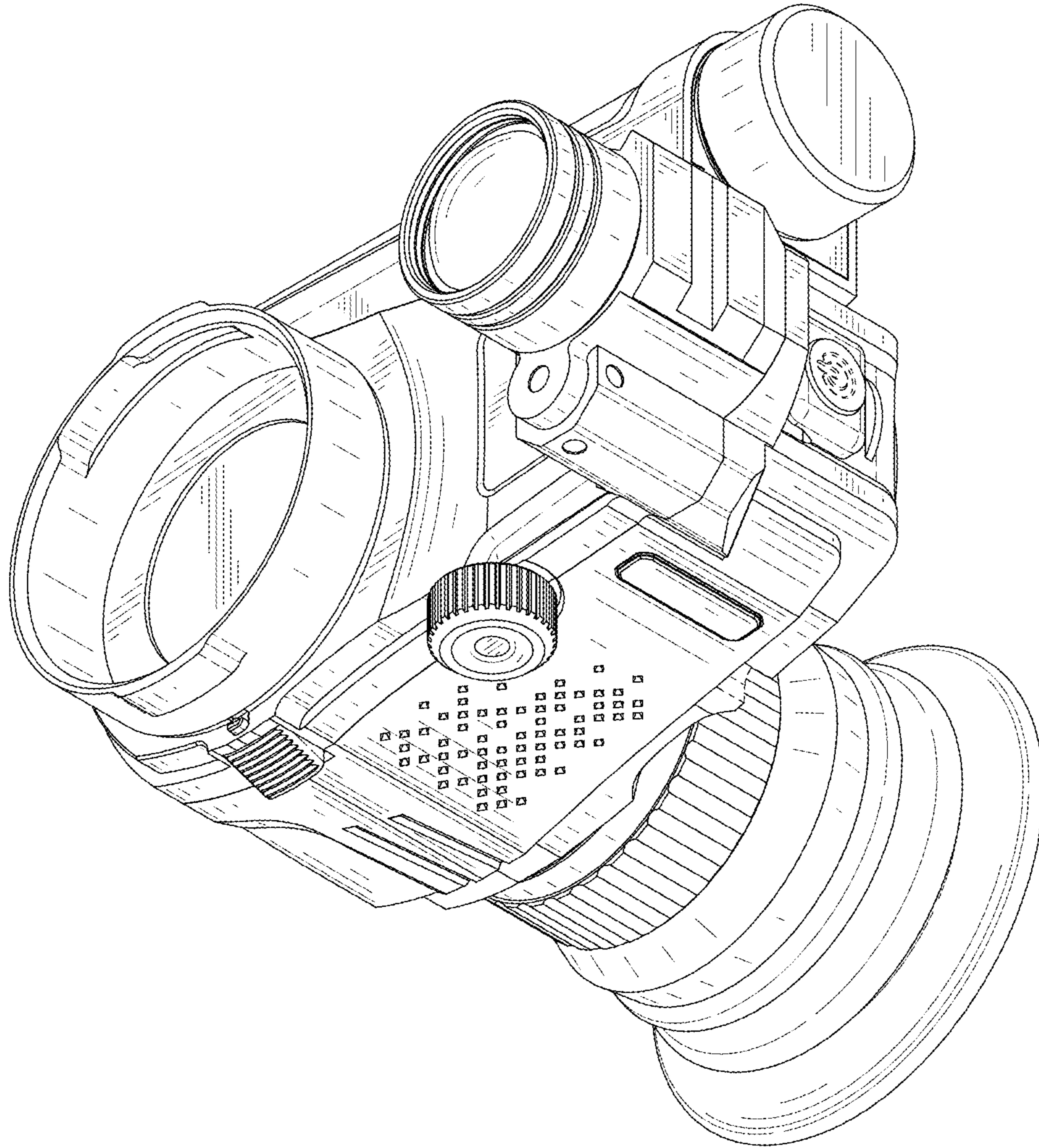


FIG. 2

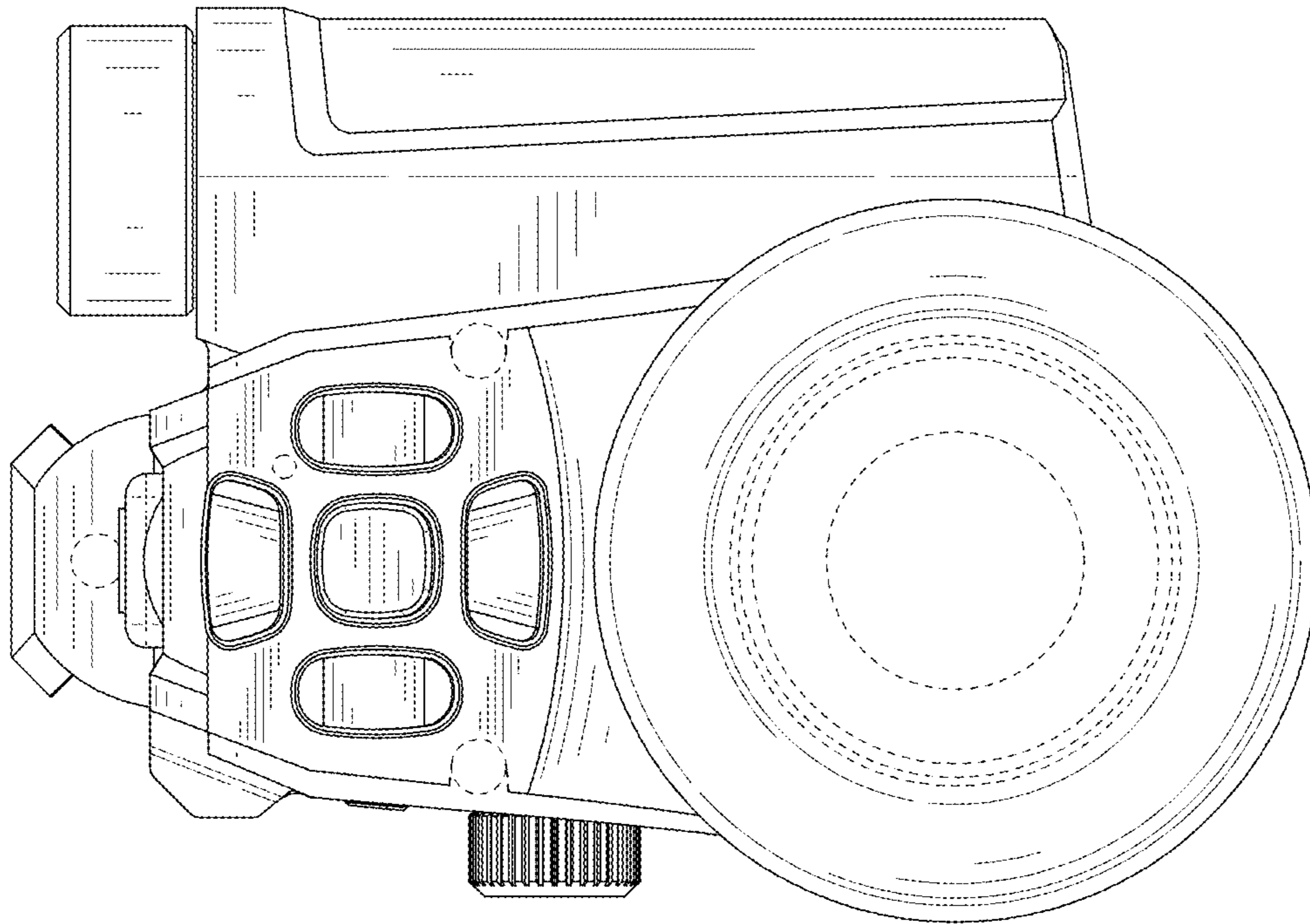


FIG. 3

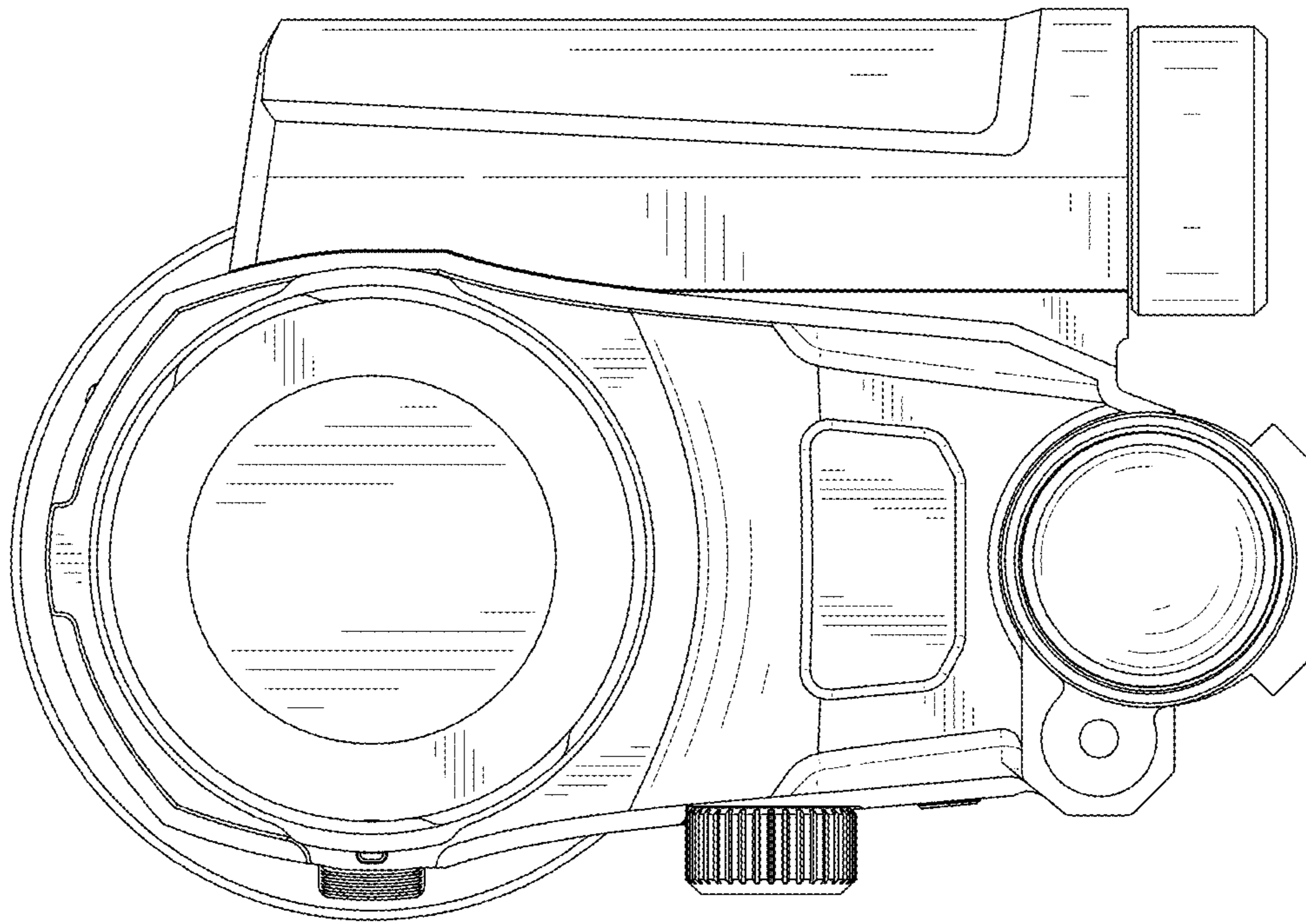


FIG. 4

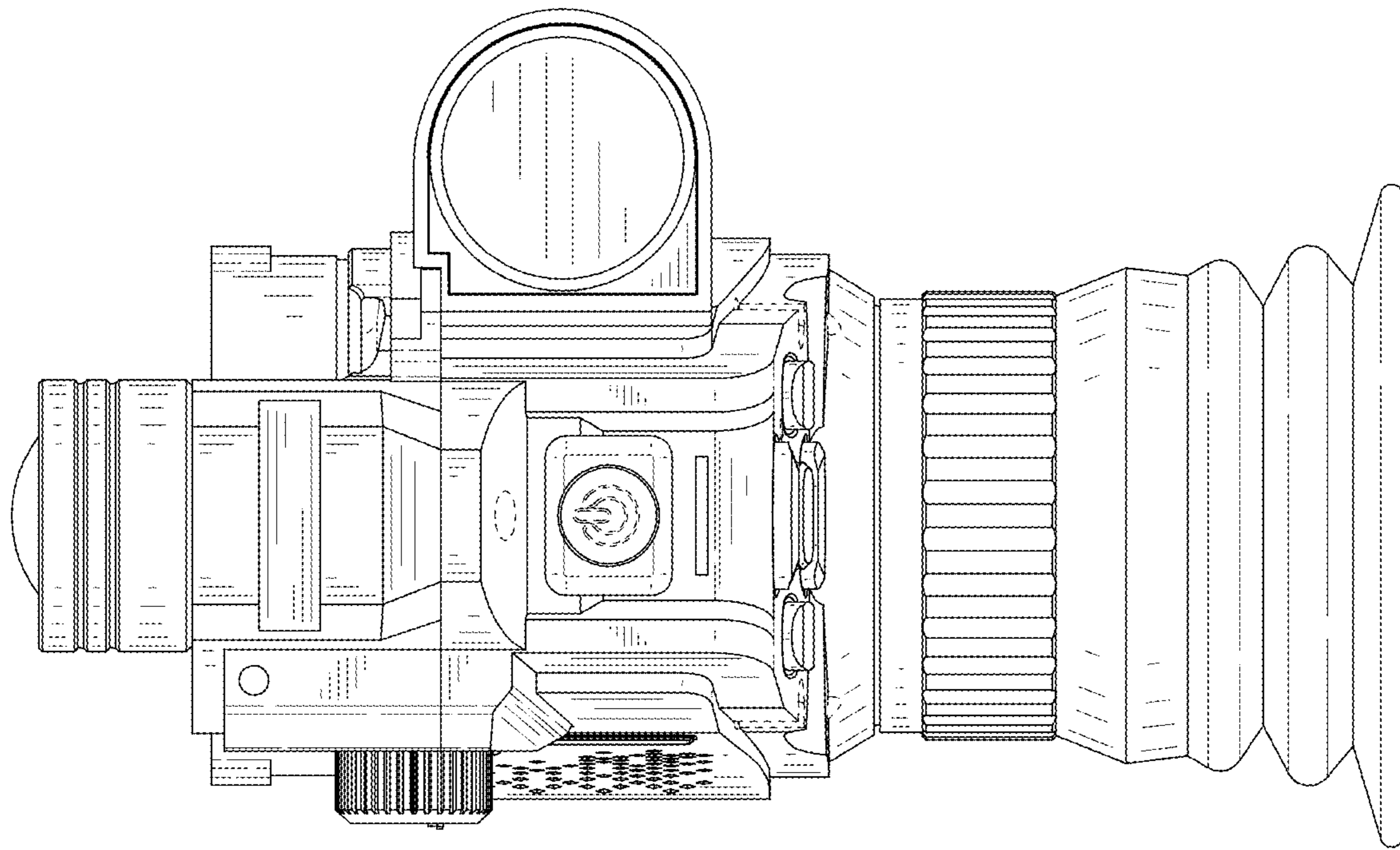


FIG. 5

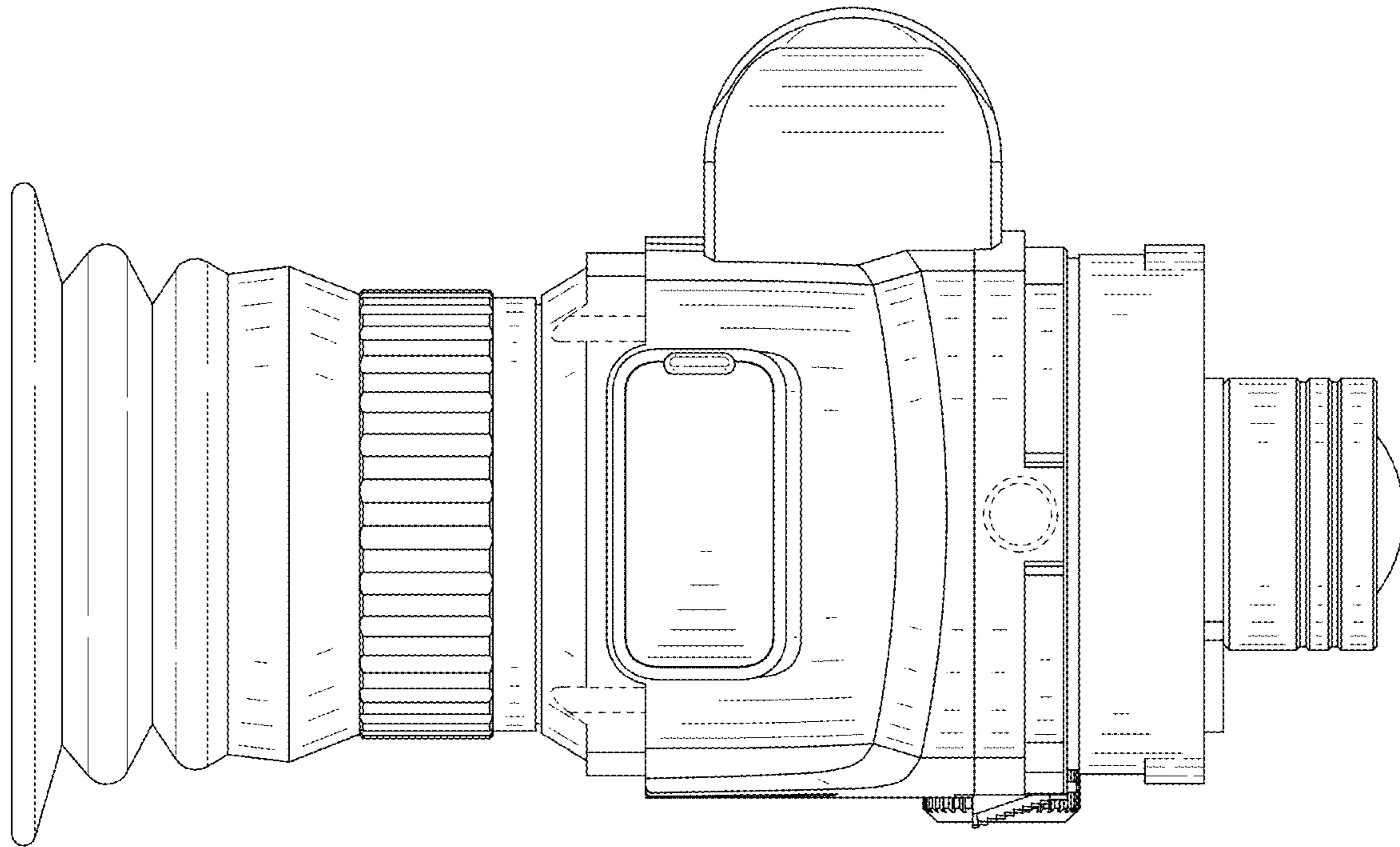


FIG. 6

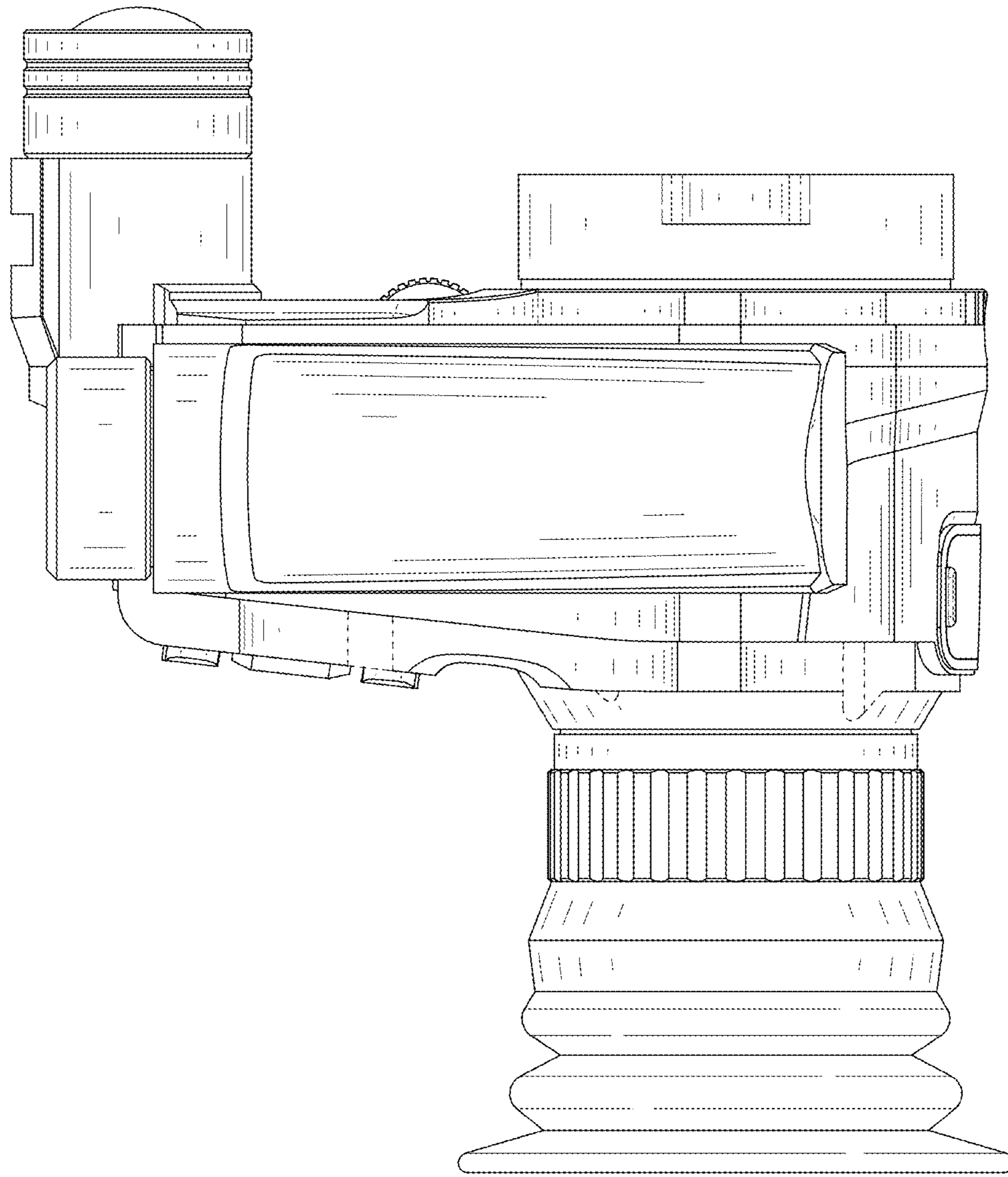


FIG. 7

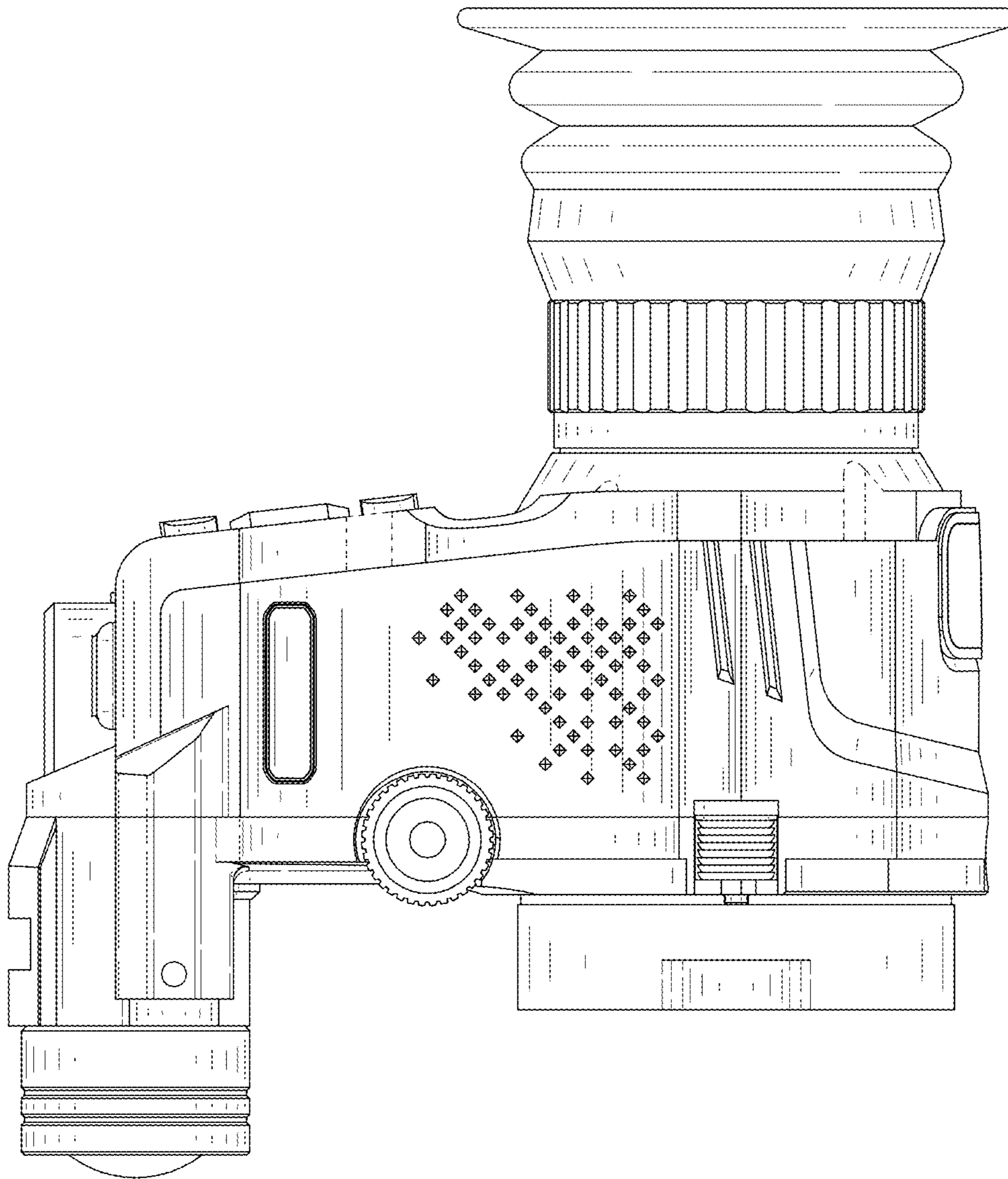


FIG. 8