



US00D957494S

(12) **United States Design Patent** (10) **Patent No.:** **US D957,494 S**  
**Chen et al.** (45) **Date of Patent:** **\*\* Jul. 12, 2022**

- (54) **MICROSCOPE CARTRIDGE**
- (71) Applicant: **Laxco Incorporated**, Mill Creek, WA (US)
- (72) Inventors: **Congliang Chen**, Bothell, WA (US);  
**Edward Daniel Schultheis**, Monroe, WA (US)
- (73) Assignee: **Laxco Incorporated**, Mill Creek, WA (US)
- (\*\*) Term: **15 Years**
- (21) Appl. No.: **29/707,890**
- (22) Filed: **Oct. 1, 2019**
- (51) **LOC (13) Cl.** ..... **16-06**
- (52) **U.S. Cl.**  
USPC ..... **D16/131**
- (58) **Field of Classification Search**  
USPC ..... D16/131, 136; D24/107, 216, 186  
CPC ..... H01J 37/20; H01J 37/26; G02B 21/32;  
B01L 3/508  
See application file for complete search history.

D933,731 S \* 10/2021 Chen ..... D16/131  
 D944,410 S \* 2/2022 Luther ..... D24/216  
 2006/0245970 A1\* 11/2006 Lee ..... B01L 3/523  
 422/400

**OTHER PUBLICATIONS**

Chinese Office Action dated Aug. 31, 2020 for Chinese Patent Application No. 202030092432.6, a counterpart of U.S. Appl. No. 29/707,890, 1 page.  
 Chinese Office Action dated Jun. 8, 2020 for Chinese Design Application No. 202030092432.6, counterpart foreign application of the Design U.S. Appl. No. 29/707,890, 2 pages.

\* cited by examiner

*Primary Examiner* — David G Muller

(74) *Attorney, Agent, or Firm* — Lee & Hayes, P.C.

(57) **CLAIM**

The ornamental design for a microscope cartridge, as shown and described.

**DESCRIPTION**

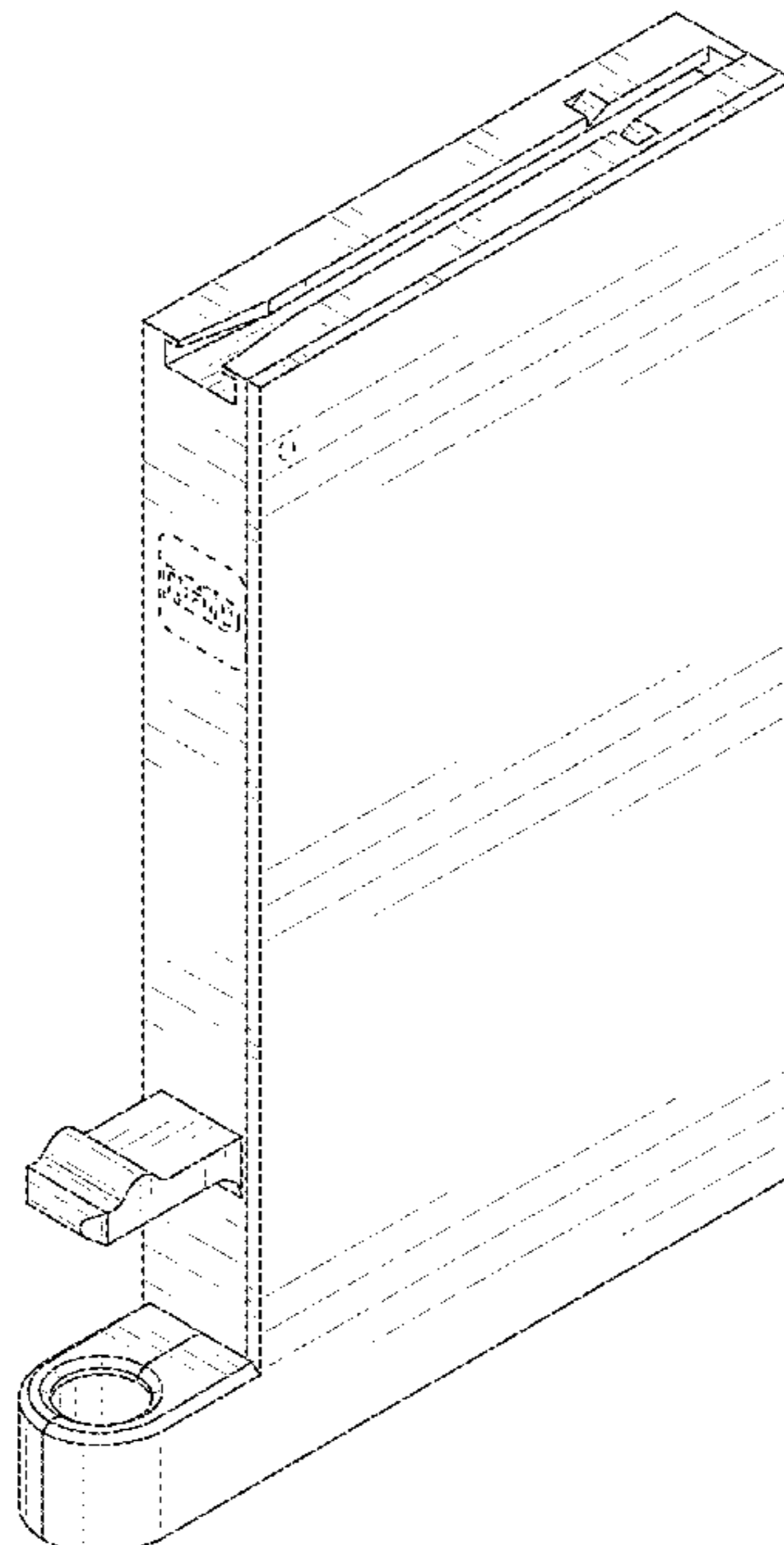
FIG. 1 is a top, back, left-side perspective view of a microscope cartridge;  
 FIG. 2 is a top, back, right-side perspective view thereof;  
 FIG. 3 is a bottom, back, right-side perspective view thereof;  
 FIG. 4 is a left-side view thereof;  
 FIG. 5 is a right-side view thereof;  
 FIG. 6 is a back view thereof;  
 FIG. 7 is a front view thereof;  
 FIG. 8 is a top view thereof; and,  
 FIG. 9 is a bottom view thereof.  
 The broken lines depict portions of the microscope cartridge that form no part of the claimed design.

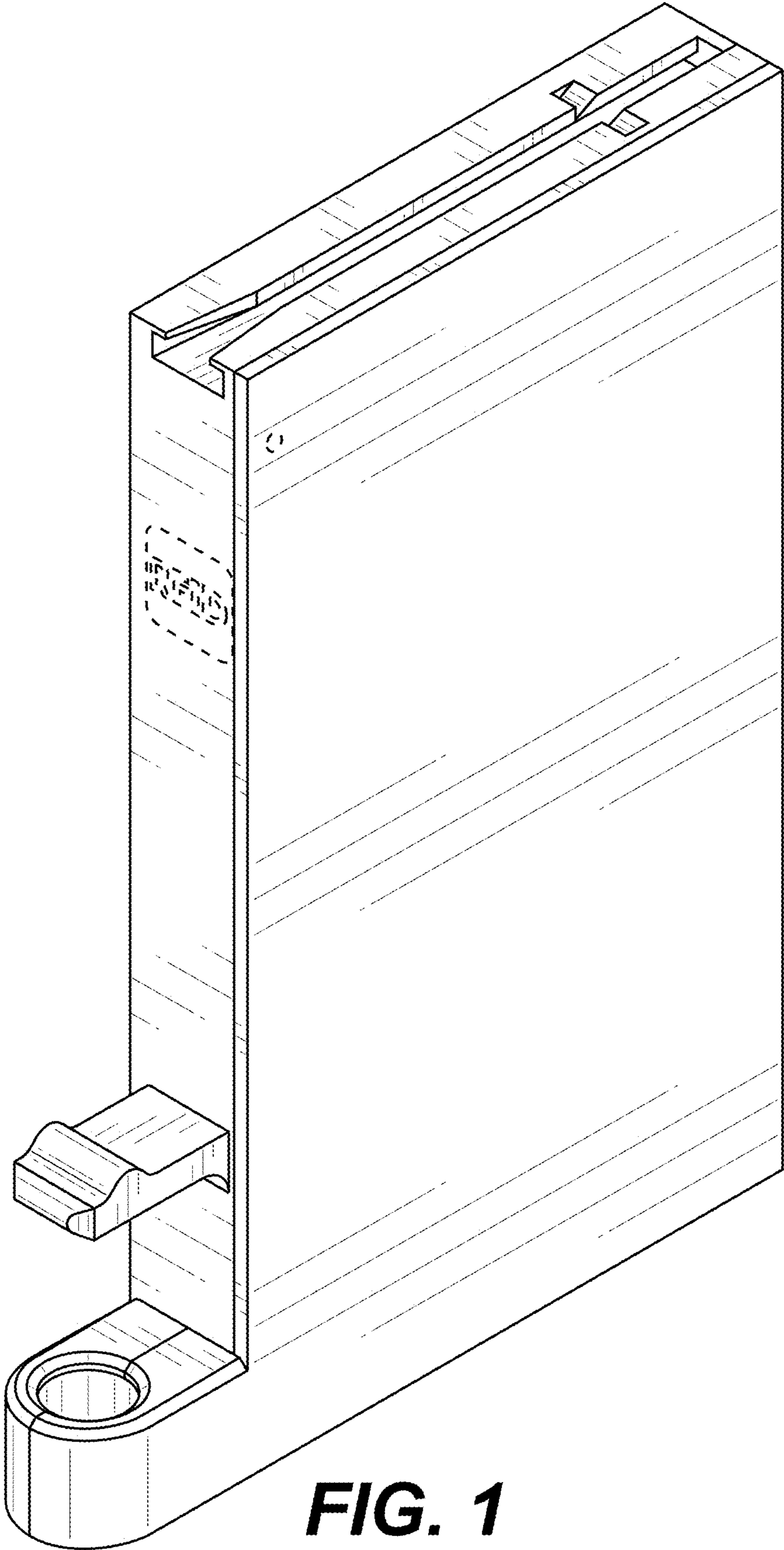
**1 Claim, 9 Drawing Sheets**

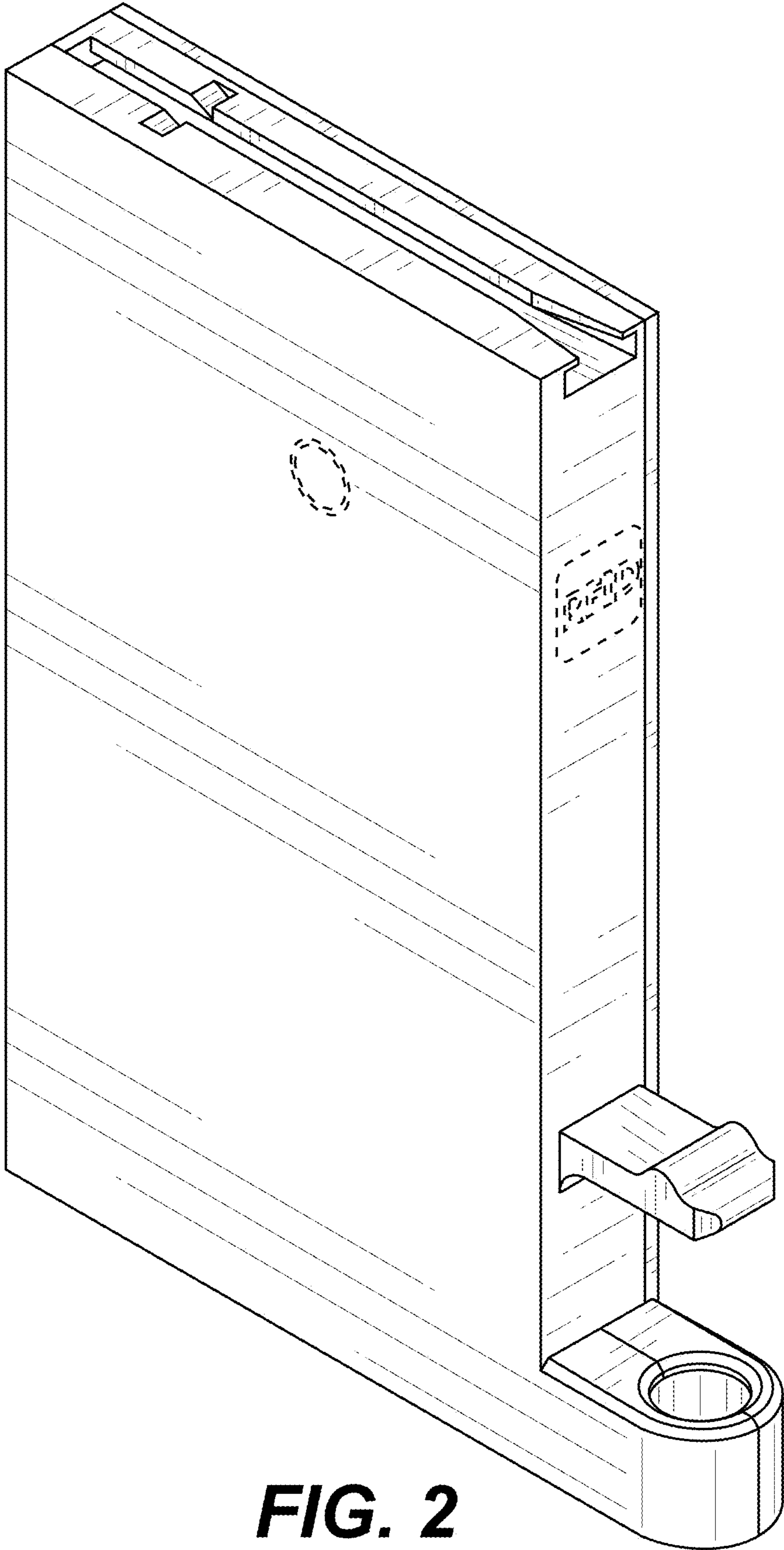
(56) **References Cited**

**U.S. PATENT DOCUMENTS**

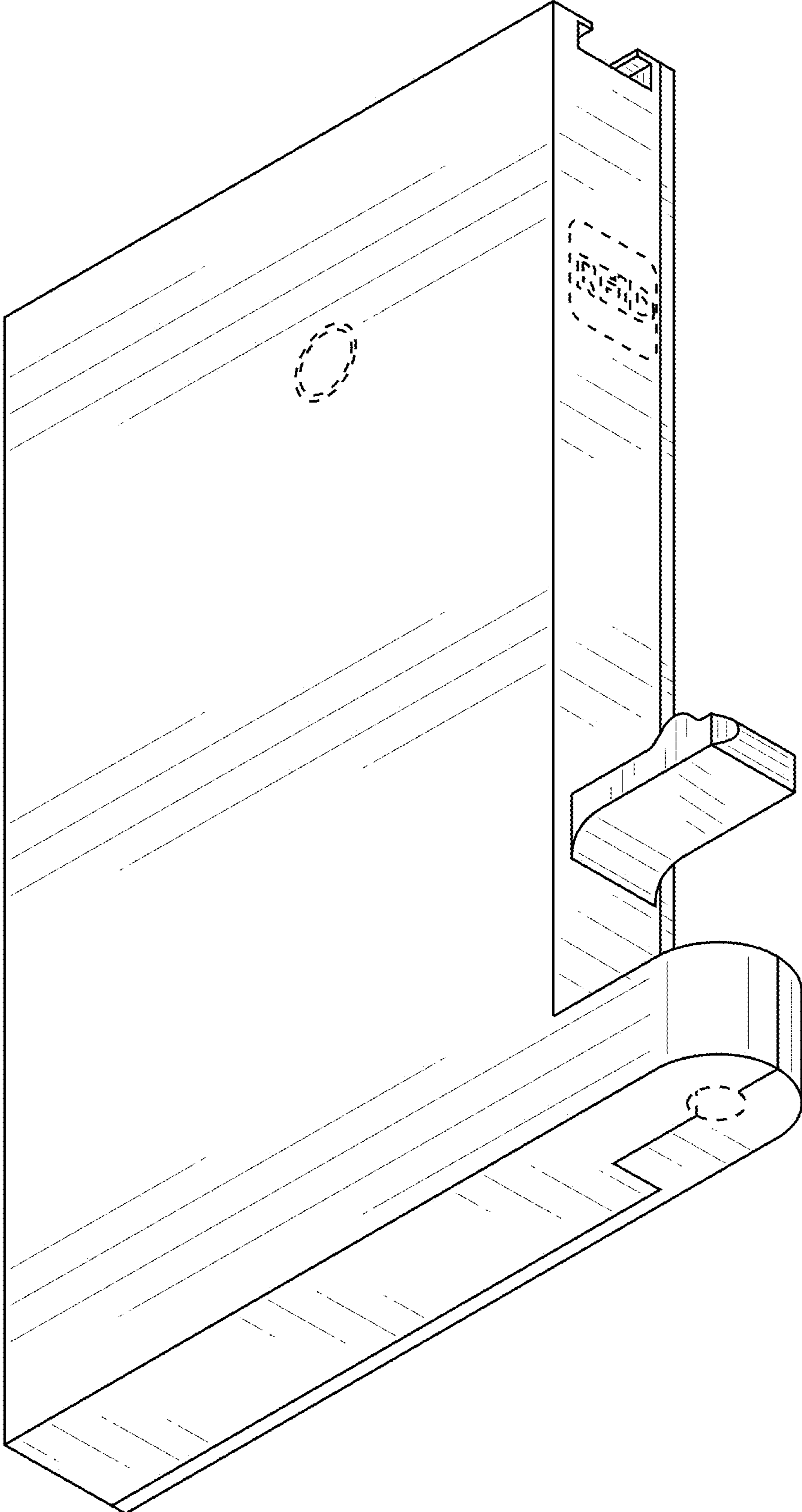
|            |   |         |            |       |         |
|------------|---|---------|------------|-------|---------|
| D649,645 S | * | 11/2011 | Barker     | ..... | D24/186 |
| D714,948 S | * | 10/2014 | Vaccarella | ..... | D24/186 |
| D812,232 S | * | 3/2018  | Chin       | ..... | D24/186 |
| D841,499 S | * | 2/2019  | Drewes     | ..... | D24/186 |
| D866,630 S | * | 11/2019 | Chen       | ..... | D16/131 |
| D870,916 S | * | 12/2019 | Kang       | ..... | D24/232 |
| D882,424 S | * | 4/2020  | Simpson    | ..... | D10/78  |
| D899,588 S | * | 10/2020 | Harkin     | ..... | D24/127 |
| D910,196 S | * | 2/2021  | Waterman   | ..... | D24/216 |
| D928,983 S | * | 8/2021  | Chen       | ..... | D24/227 |





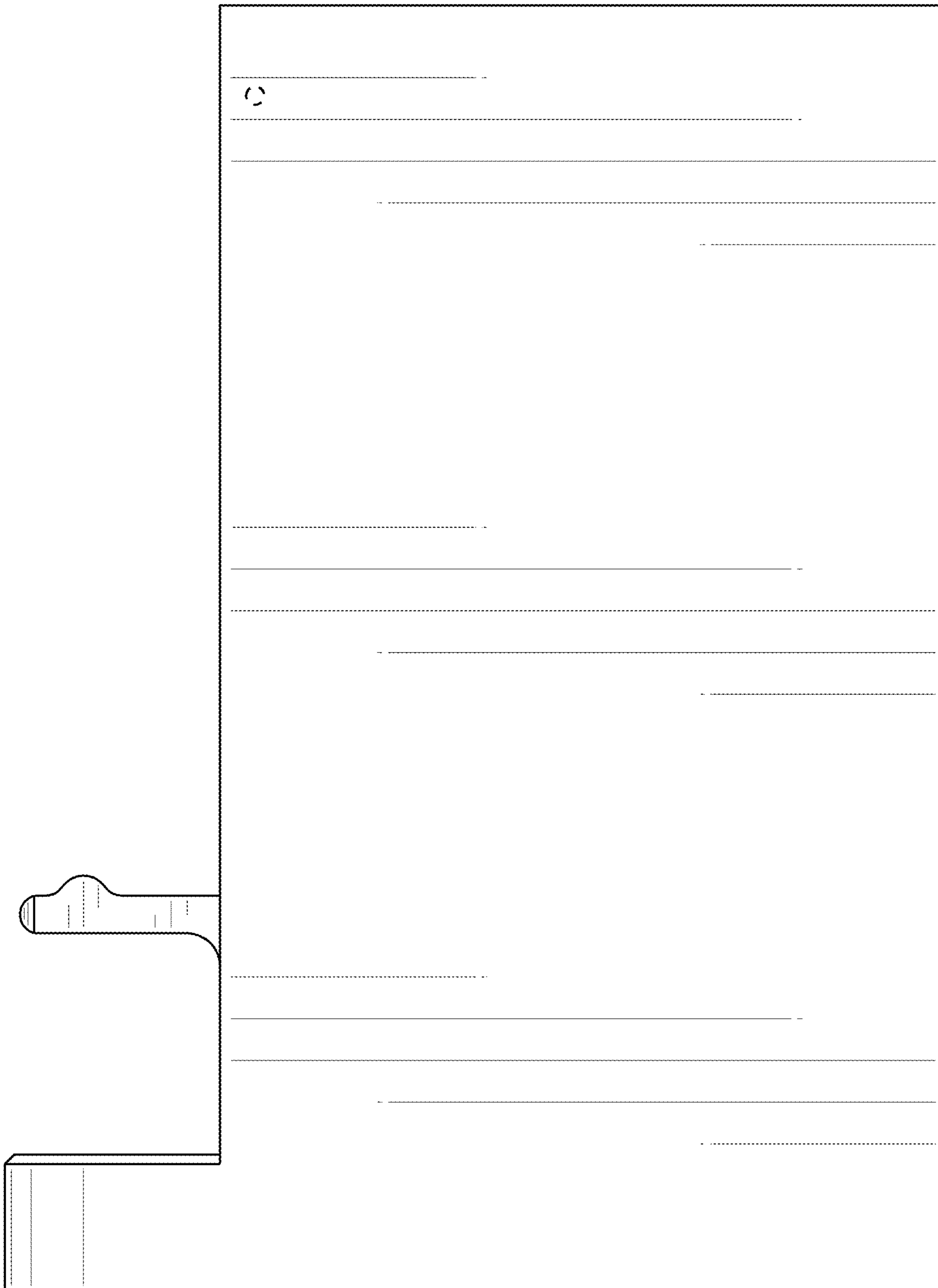


**FIG. 2**

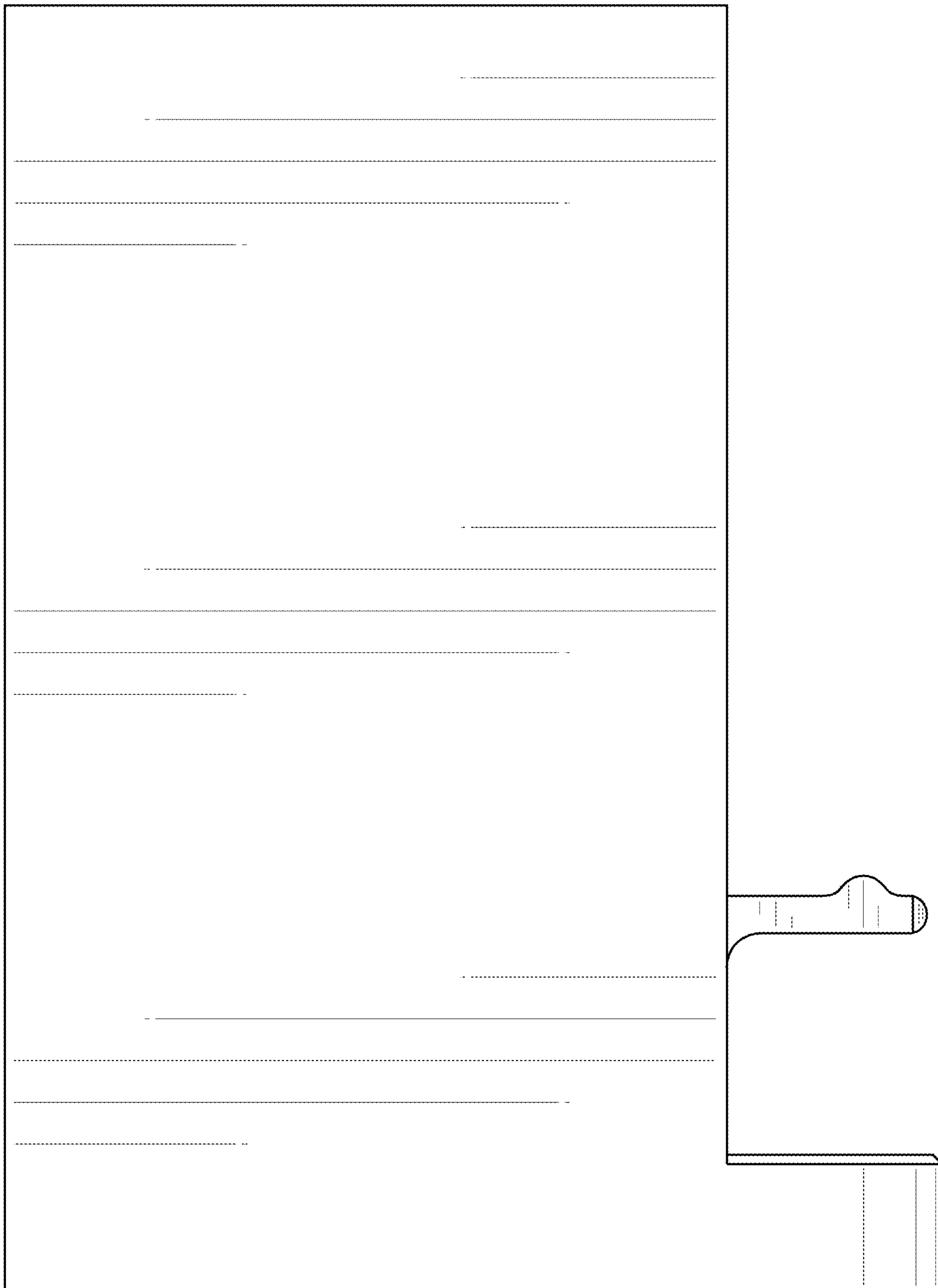


**FIG. 3**

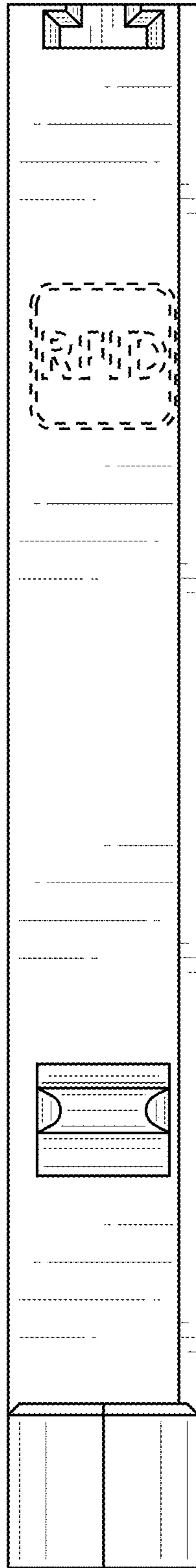




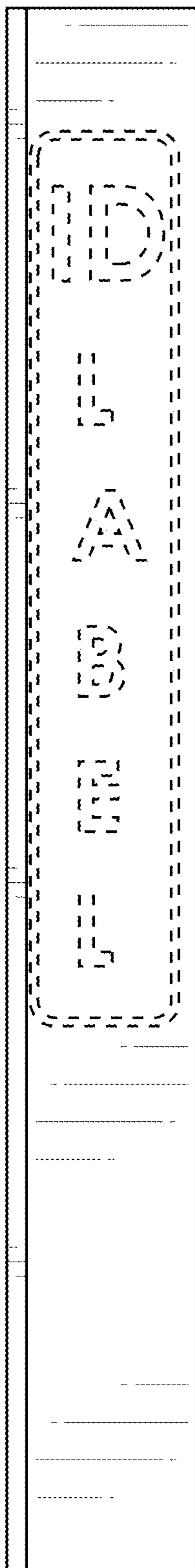
**FIG. 4**



**FIG. 5**

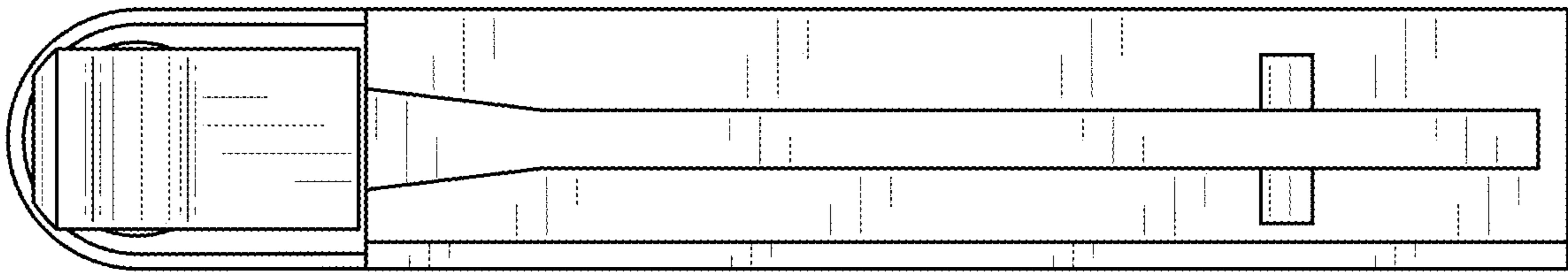


**FIG. 6**

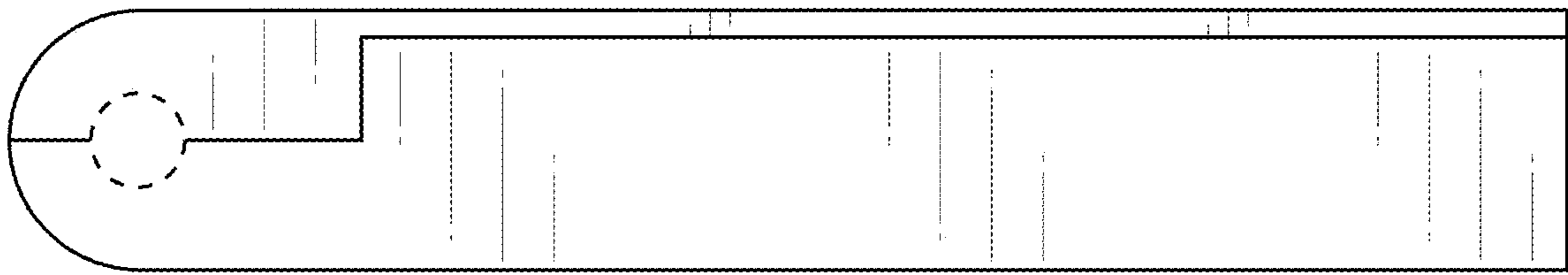


**FIG. 7**





**FIG. 8**



**FIG. 9**