



US00D957490S

(12) **United States Design Patent**  
**Li**

(10) **Patent No.:** **US D957,490 S**  
(45) **Date of Patent:** **\*\* Jul. 12, 2022**

(54) **VACUUM SEALING PACKAGING MACHINE**

(71) Applicant: **Qincan Li**, Dong Guan (CN)

(72) Inventor: **Qincan Li**, Dong Guan (CN)

(73) Assignee: **Bonsen Electronics Limited**,  
GuangDong (CN)

(\*\*) Term: **15 Years**

(21) Appl. No.: **29/752,826**

(22) Filed: **Sep. 29, 2020**

(51) **LOC (13) Cl.** ..... **15-09**

(52) **U.S. Cl.**  
USPC ..... **D15/146**

(58) **Field of Classification Search**  
USPC ..... D15/145, 146; D18/50  
CPC ..... B23C 63/0065; B23C 63/0091; B23C  
63/1018; B65B 31/046; B65B 31/047  
See application file for complete search history.

(56) **References Cited**

U.S. PATENT DOCUMENTS

D215,568	S	*	10/1969	Kellogg	.....	D15/146
D233,066	S	*	10/1974	Bair	.....	D15/146
D238,444	S	*	1/1976	Schipper	.....	D15/146
D248,399	S	*	7/1978	Dobson	.....	D15/146
D249,526	S	*	9/1978	Kishida	.....	D15/146
4,156,382	A	*	5/1979	Baker	.....	B29C 65/222 83/649
4,561,925	A	*	12/1985	Skerjanec	.....	B29C 66/73921 219/243
D301,238	S	*	5/1989	Makihara	.....	D15/146
5,352,323	A	*	10/1994	Chi	.....	B65B 51/146 156/583.8
5,806,575	A	*	9/1998	Tsay	.....	B65D 81/2015 141/192
7,003,928	B2	*	2/2006	Patterson	.....	B65B 51/146 53/434
D536,355	S	*	2/2007	Levsen	.....	D15/146

7,392,641	B2	*	7/2008	Abate	.....	B65B 31/046 53/512
7,540,127	B2	*	6/2009	Sung	.....	B65B 31/047 53/434
D597,572	S	*	8/2009	Tsai	.....	D15/146
D633,118	S	*	2/2011	Beatty	.....	D15/146
D663,331	S	*	7/2012	Day	.....	D15/146
D686,649	S	*	7/2013	Zhou	.....	D15/146
8,695,673	B2	*	4/2014	Hu	.....	B32B 37/0046 156/530
D763,334	S	*	8/2016	Yoshitomi	.....	D15/146
D812,662	S	*	3/2018	Chang	.....	D15/146
9,937,661	B2	*	4/2018	Chang	.....	B29C 65/222
D823,913	S	*	7/2018	Chou	.....	D15/146
D866,624	S	*	11/2019	Choi	.....	D15/146
D910,100	S	*	2/2021	Qiu	.....	D15/146
D910,726	S	*	2/2021	Sun	.....	D15/146
D912,710	S	*	3/2021	Choi	.....	D15/146
D912,711	S	*	3/2021	Choi	.....	D15/146

(Continued)

*Primary Examiner* — Patricia A Palasik

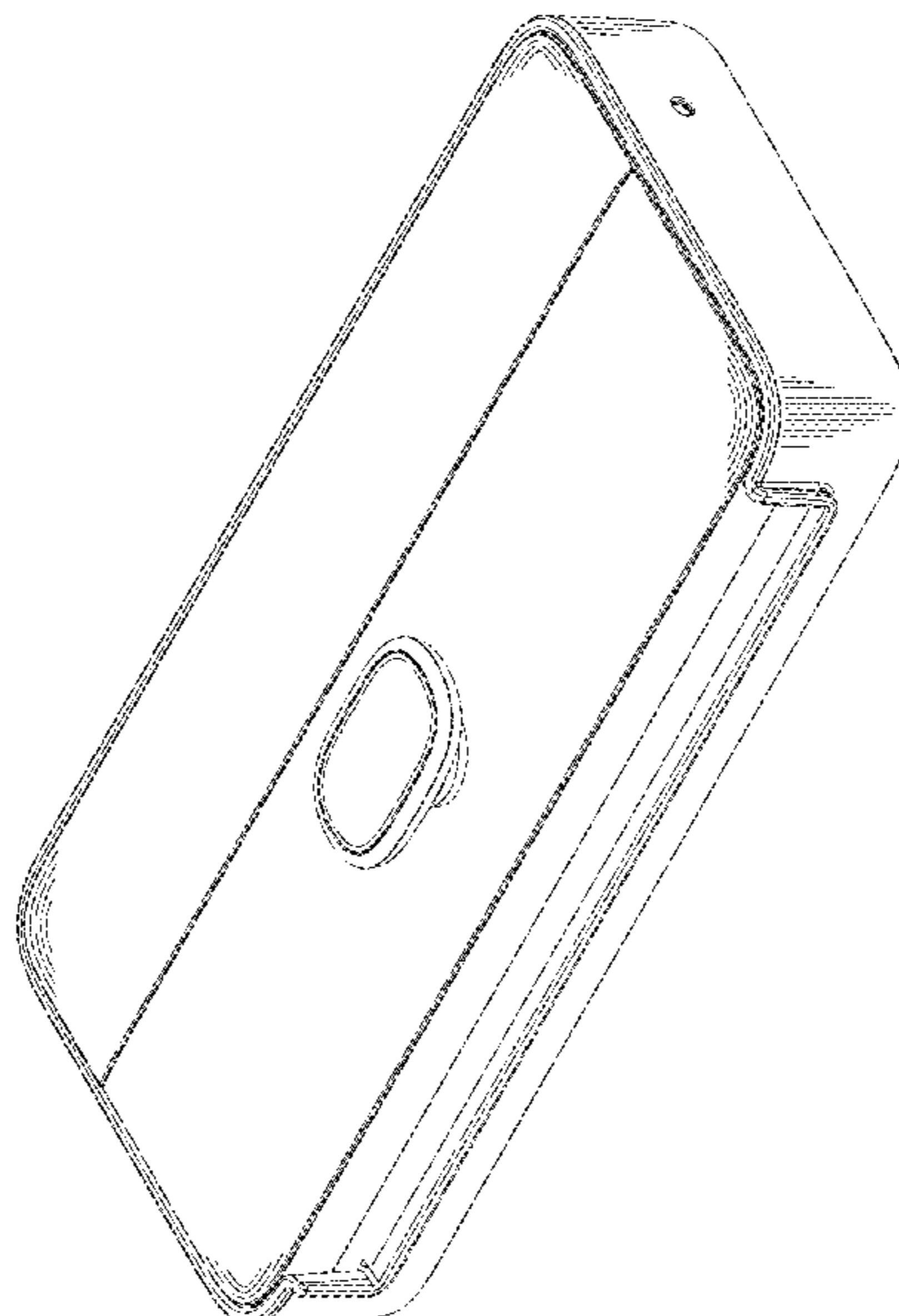
(57) **CLAIM**

I claim the ornamental design for a, vacuum sealing pack-  
aging machine, as shown and described.

**DESCRIPTION**

FIG. 1 is a perspective view of a vacuum sealing packaging  
machine showing my new design;  
FIG. 2 is a front elevational view thereof;  
FIG. 3 is a top plan view thereof;  
FIG. 4 is a left side elevational view thereof;  
FIG. 5 is a rear elevational view thereof;  
FIG. 6 is a right side elevational view thereof; and,  
FIG. 7 is a bottom plan view thereof.  
The broken lines in the drawings depict portions of the  
vacuum sealing packaging machine and form no part of the  
claimed design.

**1 Claim, 7 Drawing Sheets**



(56)

**References Cited**

U.S. PATENT DOCUMENTS

D922,462 S \* 6/2021 Leyden ..... D15/146  
D936,120 S \* 11/2021 Minibaev ..... D15/146  
D936,717 S \* 11/2021 Chen ..... D15/146  
D937,919 S \* 12/2021 Chen ..... D15/146  
2005/0022480 A1 \* 2/2005 Brakes ..... B65B 31/046  
53/512  
2019/0047733 A1 \* 2/2019 Zheng ..... B65B 51/10

\* cited by examiner

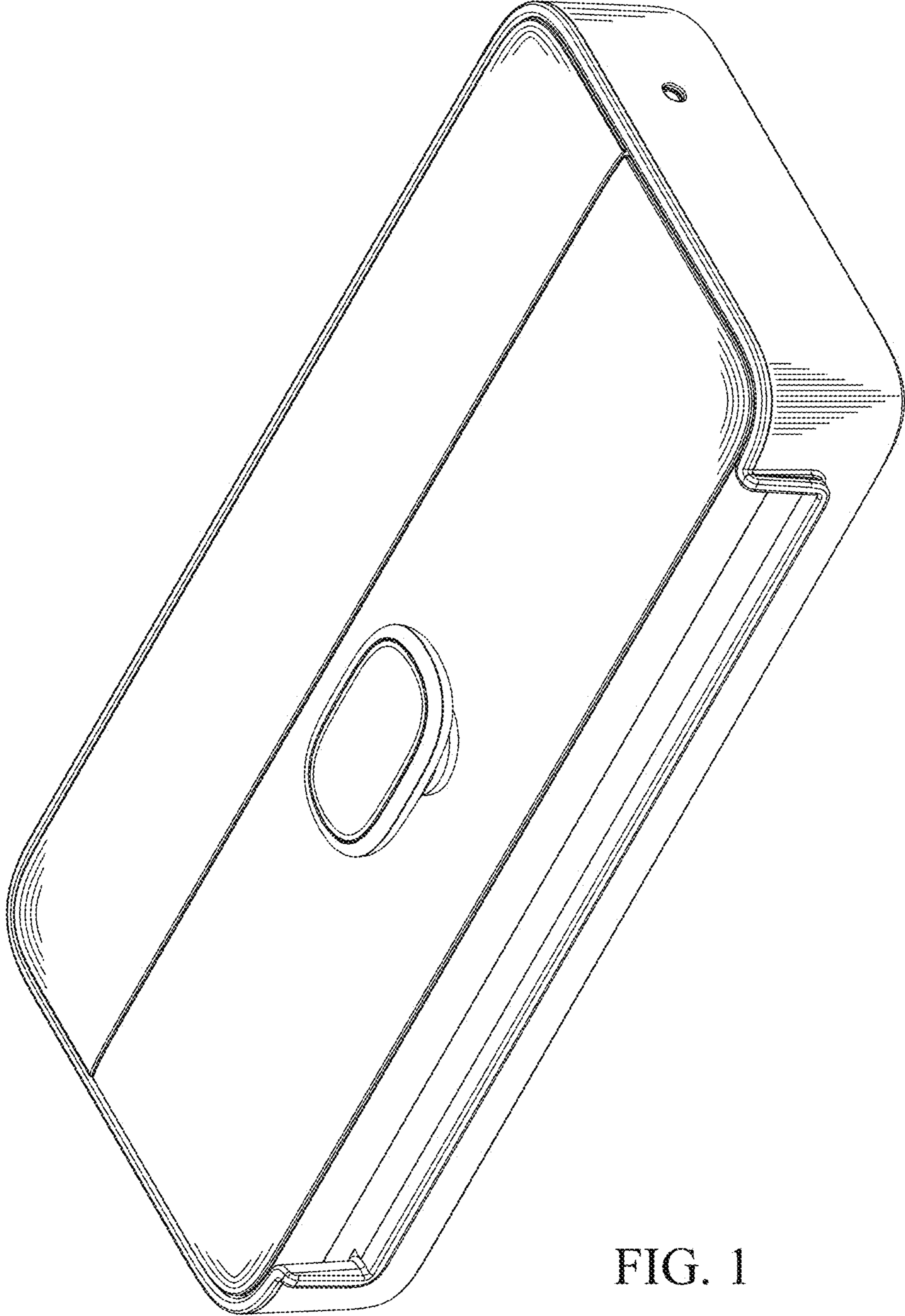


FIG. 1

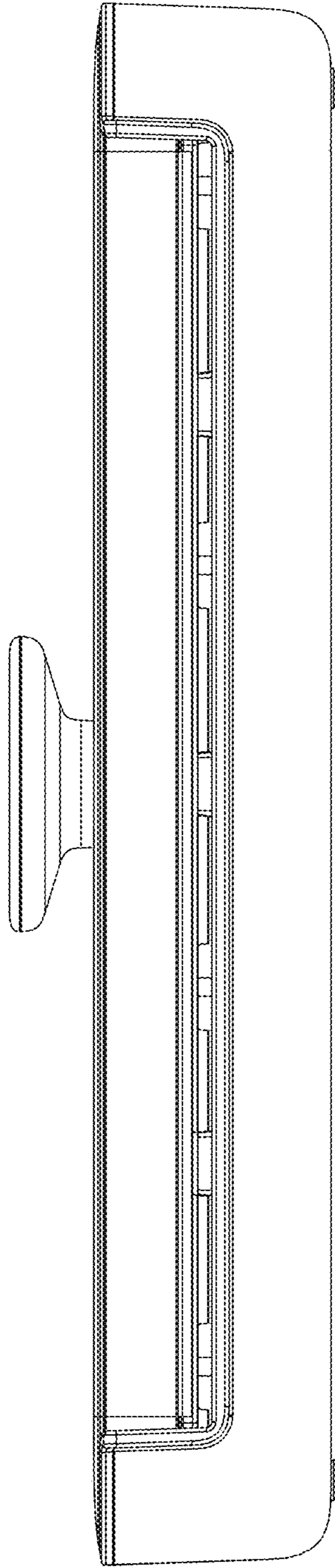


FIG. 2

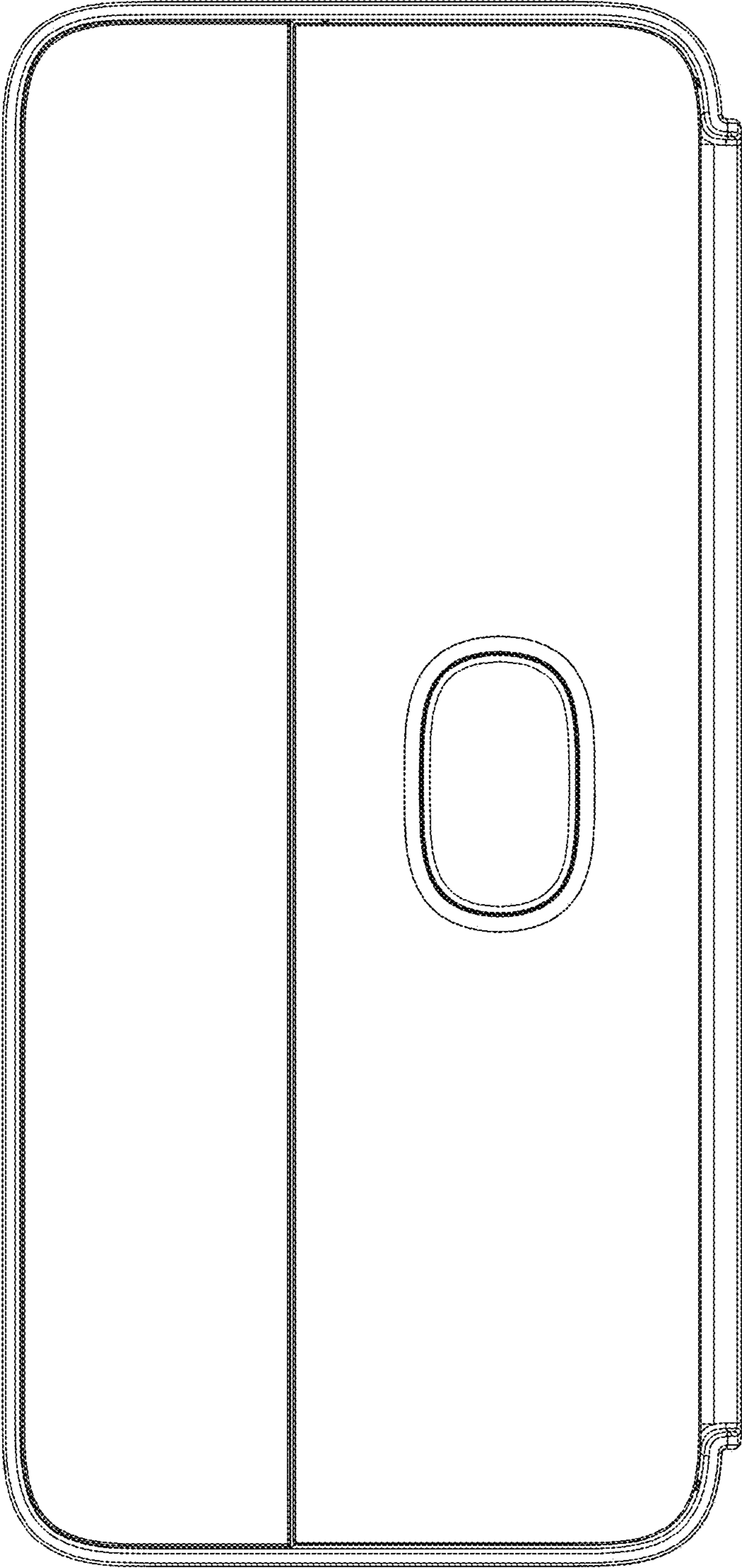


FIG. 3

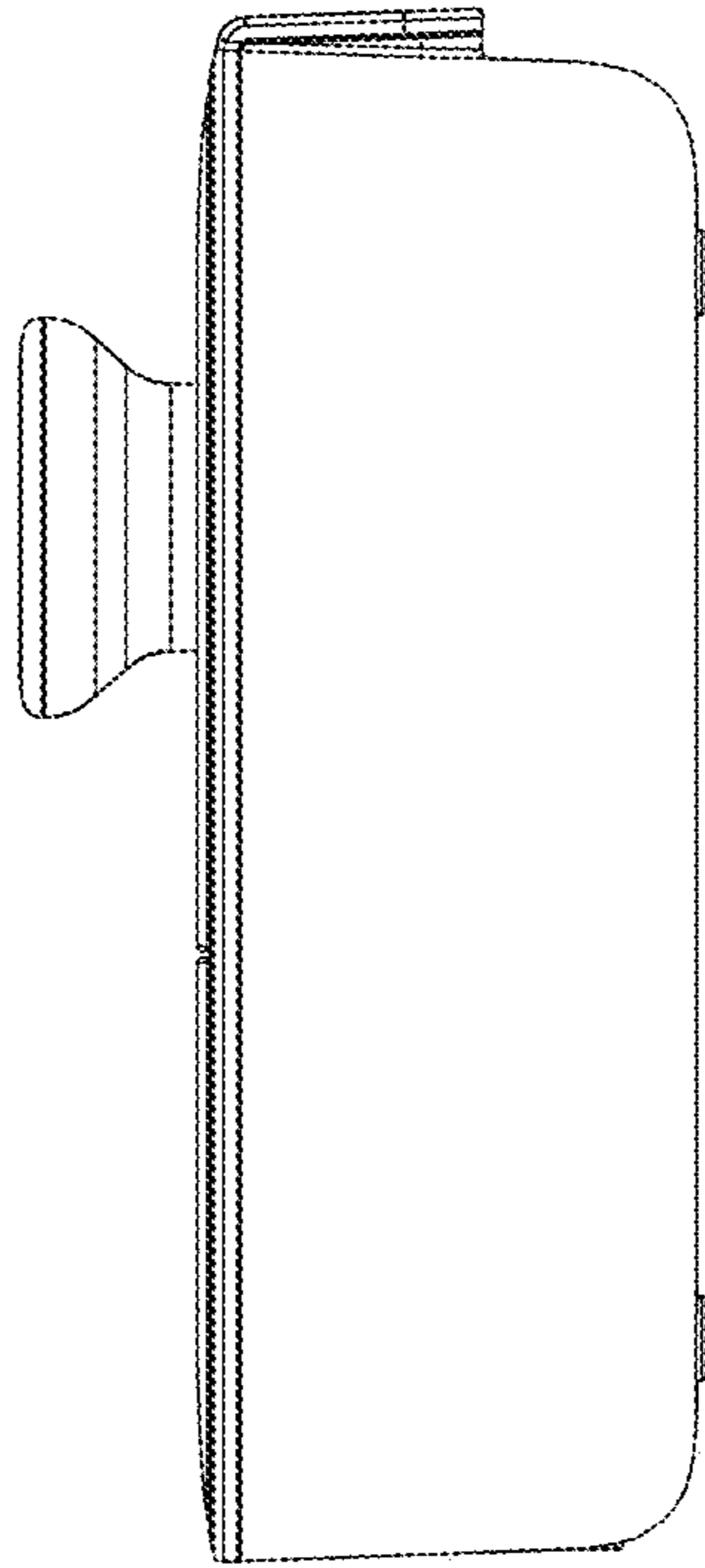


FIG. 4

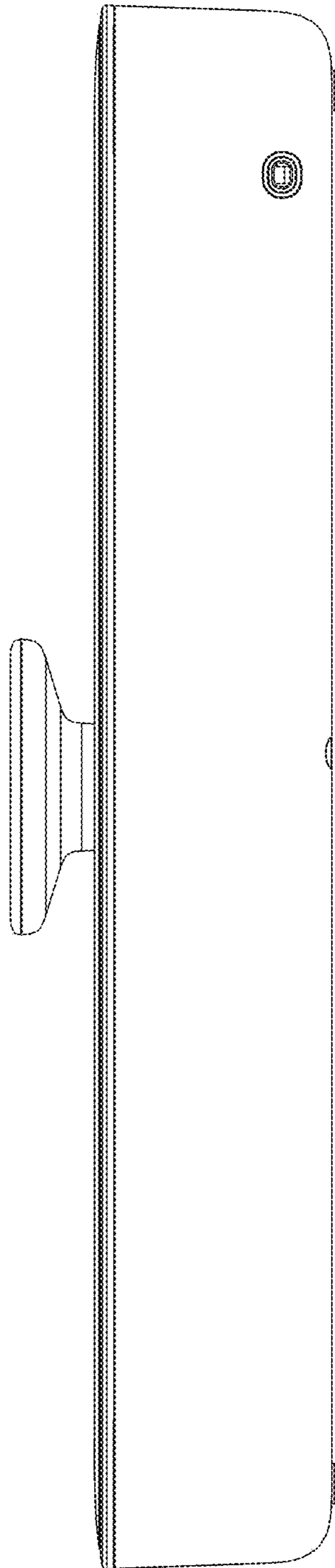


FIG. 5

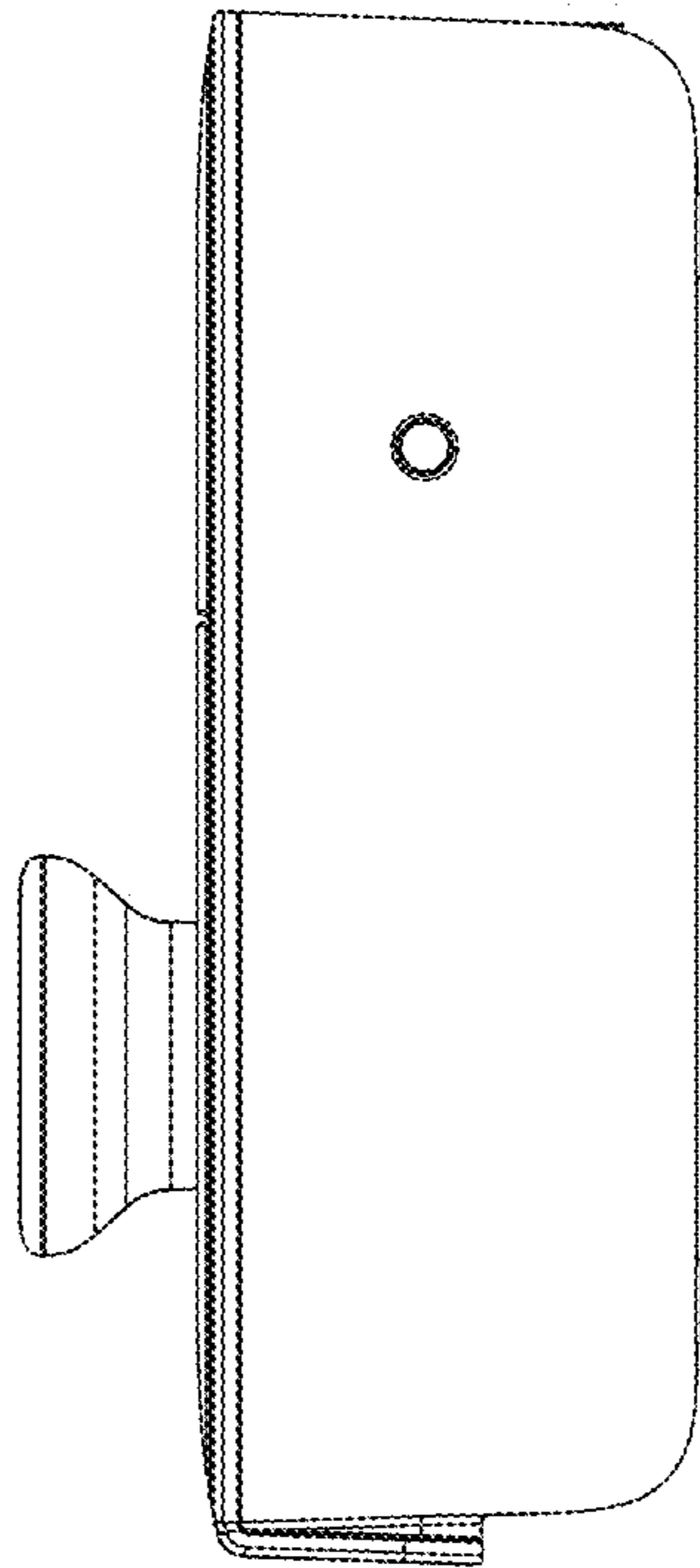


FIG. 6



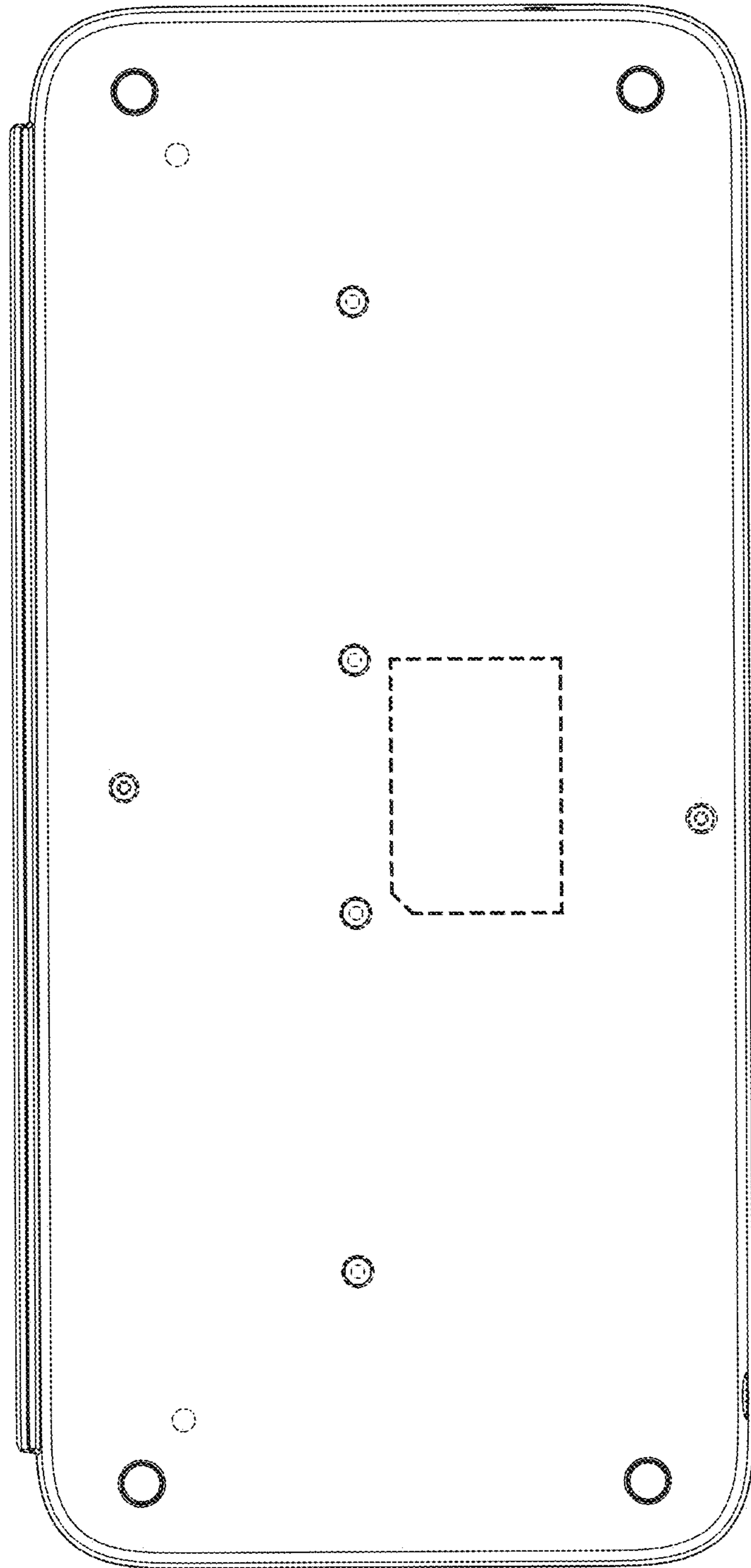


FIG. 7