



US00D957489S

(12) **United States Design Patent**
Ye

(10) **Patent No.:** **US D957,489 S**

(45) **Date of Patent:** **** Jul. 12, 2022**

- (54) **LAMINATOR MACHINE**
- (71) Applicant: **Shanghai Maojie Import and Export Co., Ltd, Shanghai (CN)**
- (72) Inventor: **Chuanwang Ye, Shanghai (CN)**
- (**) Term: **15 Years**
- (21) Appl. No.: **29/751,335**
- (22) Filed: **Sep. 21, 2020**
- (51) **LOC (13) Cl.** **15-09**
- (52) **U.S. Cl.**
USPC **D15/146**
- (58) **Field of Classification Search**
USPC D15/145, 146; D18/50
CPC B23C 63/0065; B23C 63/0091; B23C 63/1018; B65B 31/046; B65B 31/047
See application file for complete search history.

- D510,369 S * 10/2005 Presta D15/146
- 7,003,928 B2 * 2/2006 Patterson B65B 31/06
53/405
- 7,076,929 B2 * 7/2006 Patterson B65B 51/146
53/405
- 7,398,814 B2 * 7/2008 Matlin B32B 37/0046
156/555
- D579,957 S * 11/2008 Kiple D15/145
- D609,237 S * 2/2010 Romanoff D14/422
- D618,716 S * 6/2010 Huang D15/146
- D633,118 S * 2/2011 Beatty D15/146
- D667,858 S * 9/2012 Crutchley D15/146
- D686,649 S * 7/2013 Zhou D15/146

(Continued)

Primary Examiner — Patricia A Palasik

(74) Attorney, Agent, or Firm — Rumit Ranjit Kanakia

(57) **CLAIM**

I claim the ornamental design for a laminator machine, as shown and described.

DESCRIPTION

FIG. 1 is a perspective view of a laminator machine showing my new design;

FIG. 2 is a back view of the laminator machine as shown in FIG. 1;

FIG. 3 is a front view of the laminator machine as shown in FIG. 1;

FIG. 4 is a right-side view of the laminator machine as shown in FIG. 1;

FIG. 5 is a left-side view of the laminator machine as shown in FIG. 1;

FIG. 6 is a Top view of the laminator machine as shown in FIG. 1; and,

FIG. 7 is a Bottom view of the laminator machine as shown in FIG. 1.

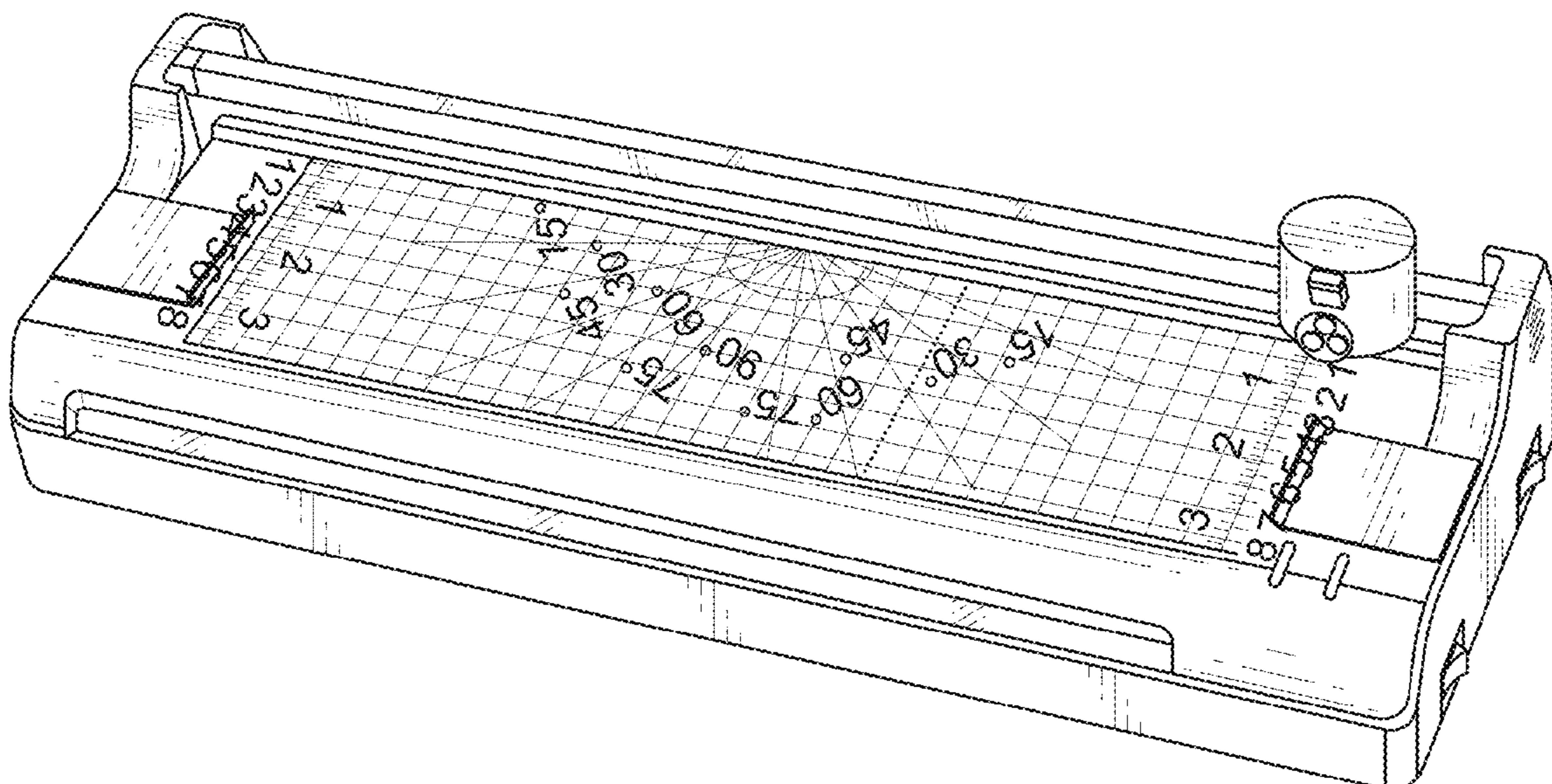
The broken lines in the drawings depict portions of the laminator machine and form no part of the claimed design.

1 Claim, 7 Drawing Sheets

(56) **References Cited**

U.S. PATENT DOCUMENTS

- D185,069 S * 5/1959 Crowle et al. D15/145
- D238,444 S * 1/1976 Schipper D15/146
- D246,246 S * 11/1977 Shaffer D15/146
- D248,399 S * 7/1978 Dobson D15/146
- D267,327 S * 12/1982 Shaffer D15/146
- 4,561,925 A * 12/1985 Skerjanec B29C 66/861
156/379.6
- D301,238 S * 5/1989 Makihara D15/146
- 4,941,310 A * 7/1990 Kristen B65B 31/046
53/512
- D341,845 S * 11/1993 Caruso D15/146
- D342,271 S * 12/1993 Keng D15/146
- D345,986 S * 4/1994 Lim D15/146
- D358,826 S * 5/1995 Kuhns D15/146
- 5,655,357 A * 8/1997 Kristen B65B 31/04
53/512
- D440,992 S * 4/2001 Parson D15/146
- D441,775 S * 5/2001 Cheng D15/146
- D442,980 S * 5/2001 Johnson D15/146



(56)

References Cited

U.S. PATENT DOCUMENTS

8,695,673 B2 *	4/2014	Hu	B26F 1/12
				156/583.1
D866,624 S *	11/2019	Choi	D15/146
D905,142 S *	12/2020	Zhou	D15/146
D905,772 S *	12/2020	Li	D15/146
D910,100 S *	2/2021	Qiu	D15/146
D912,710 S *	3/2021	Choi	D15/146
D930,724 S *	9/2021	Zhou	D15/146

* cited by examiner

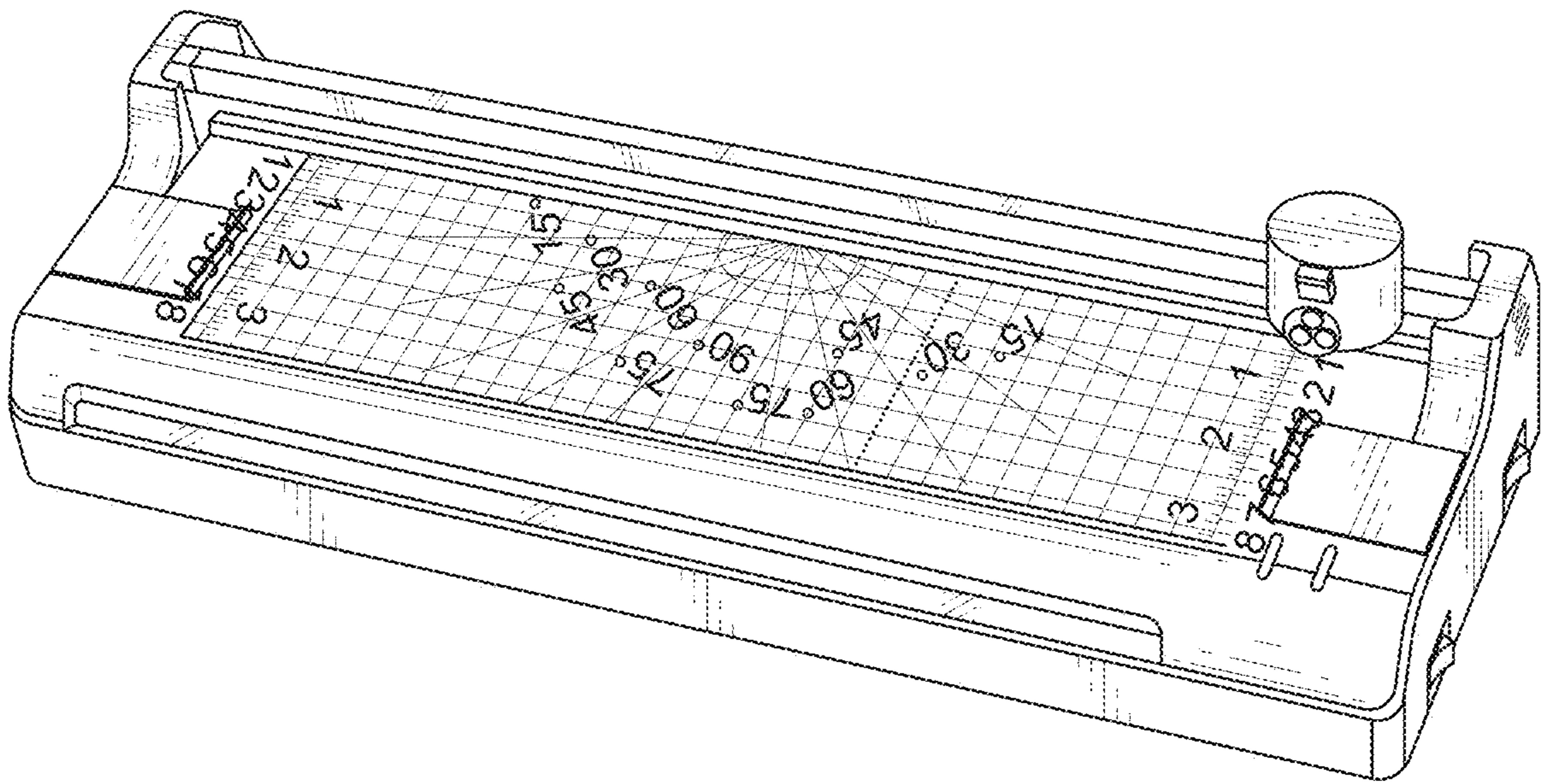


FIG. 1

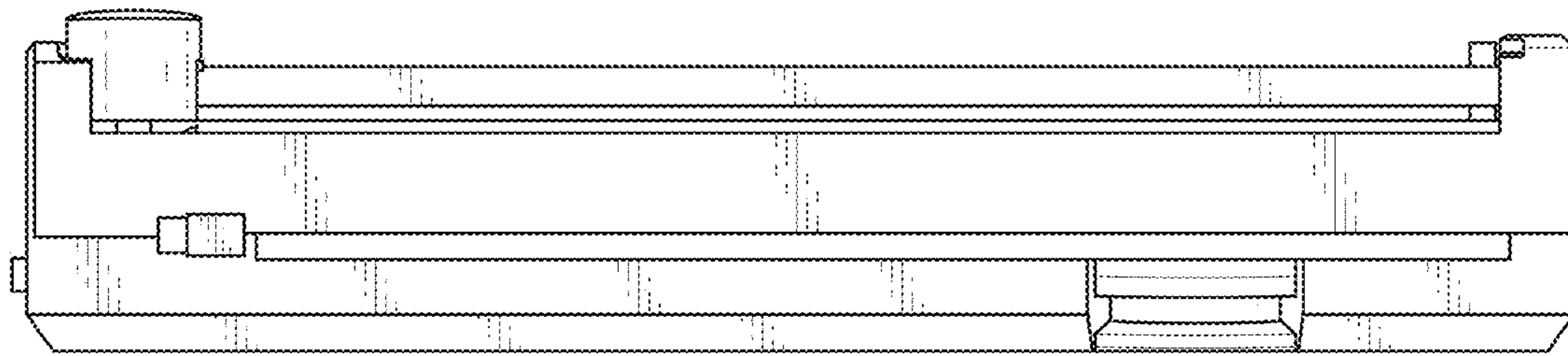


FIG. 2

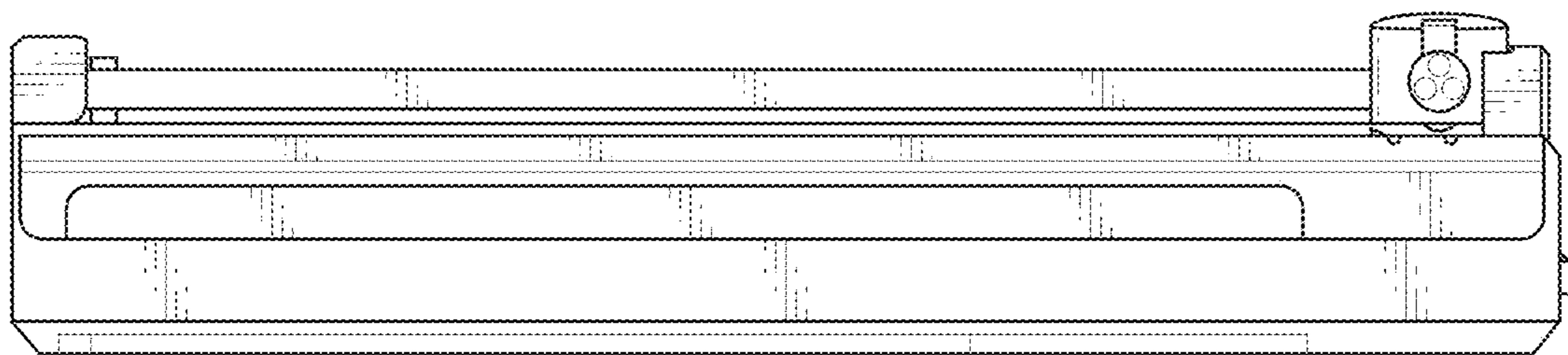


FIG. 3

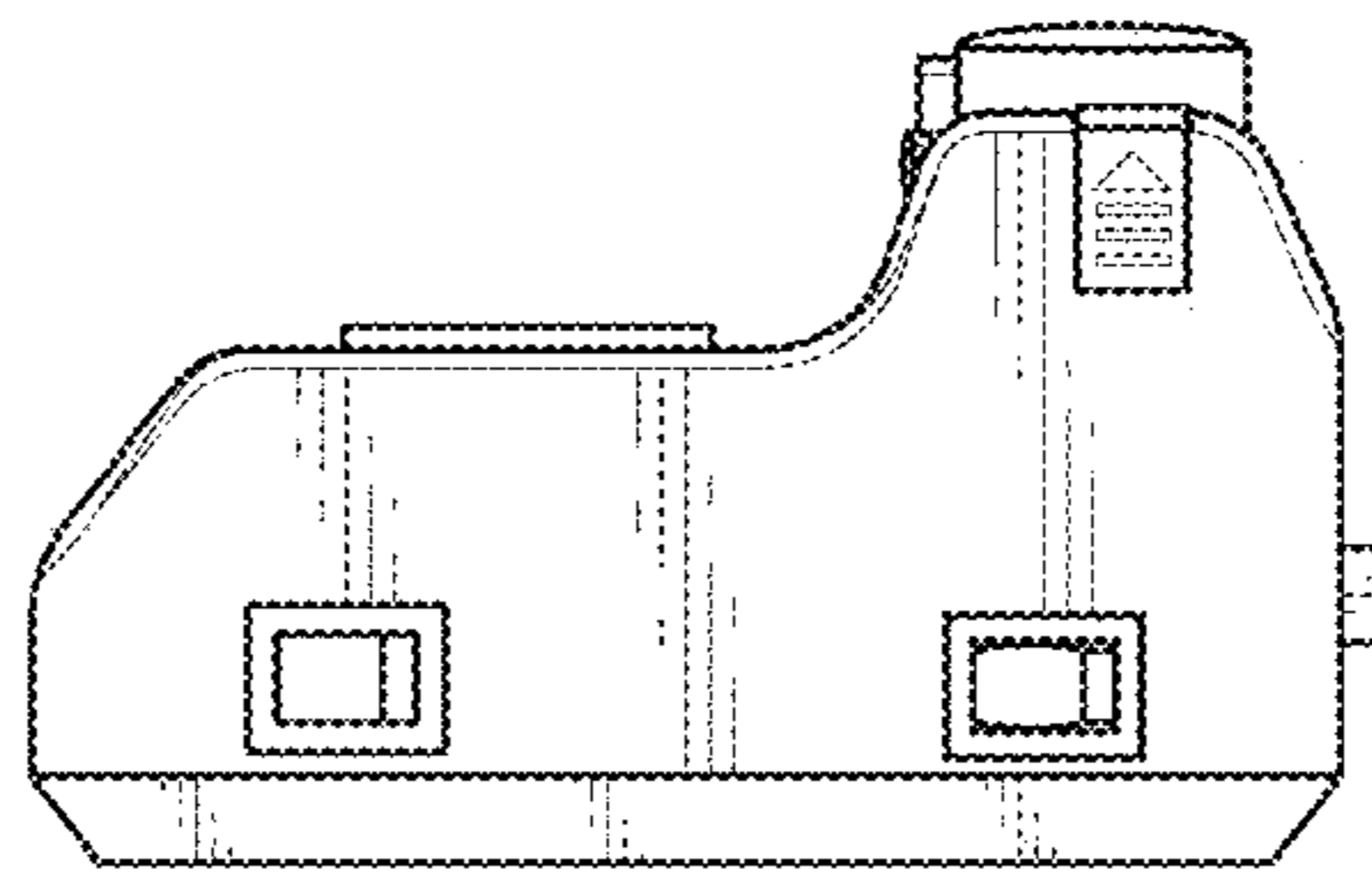


FIG. 4

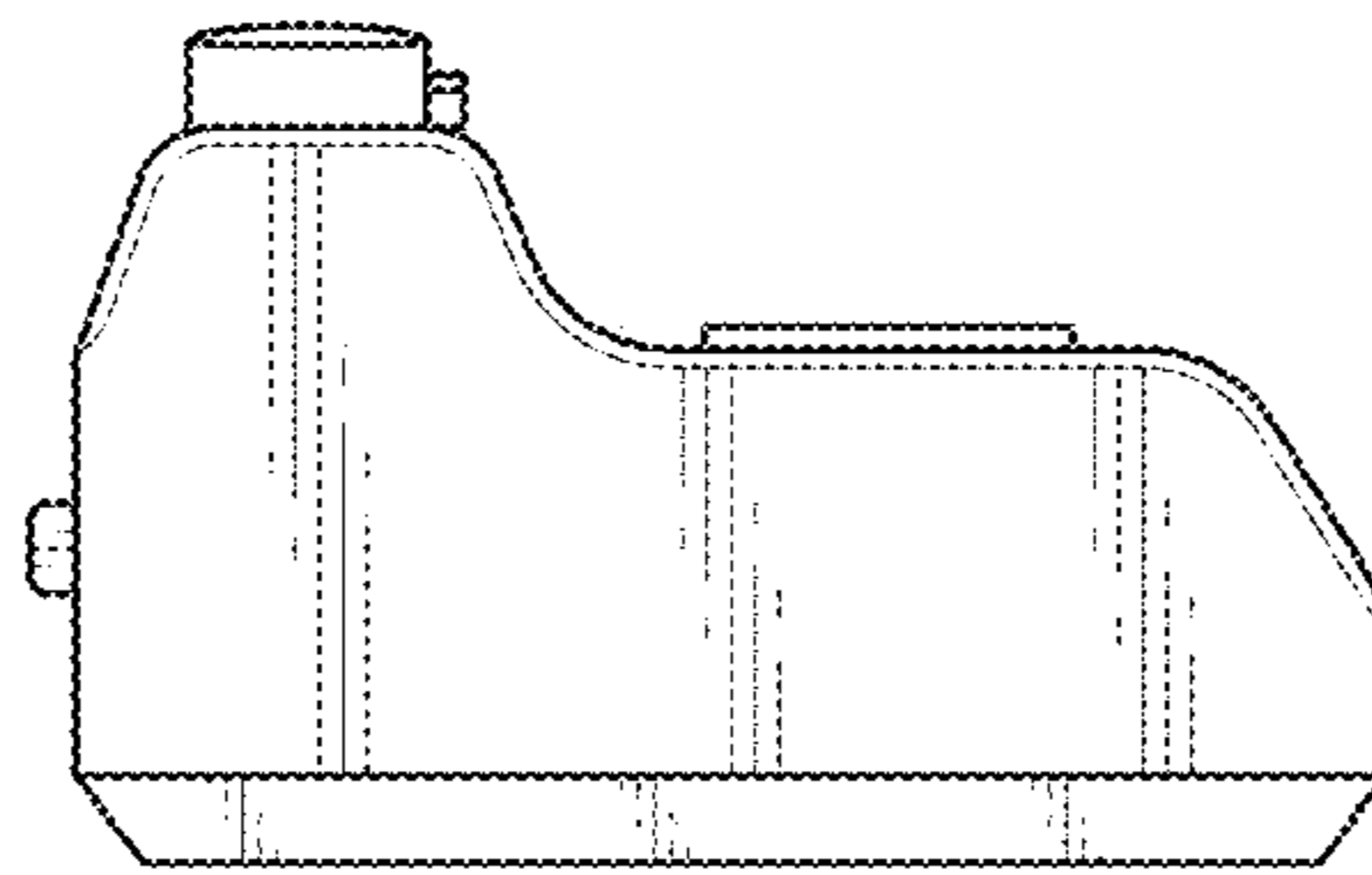


FIG. 5

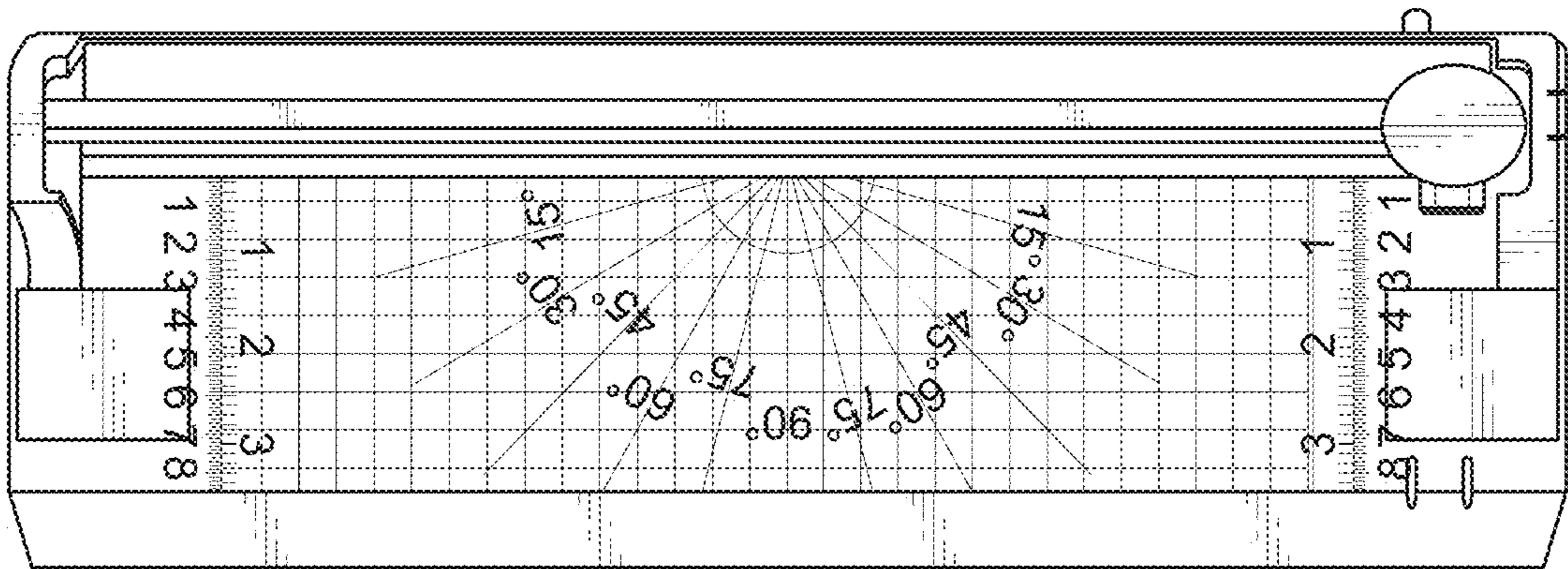


FIG. 6

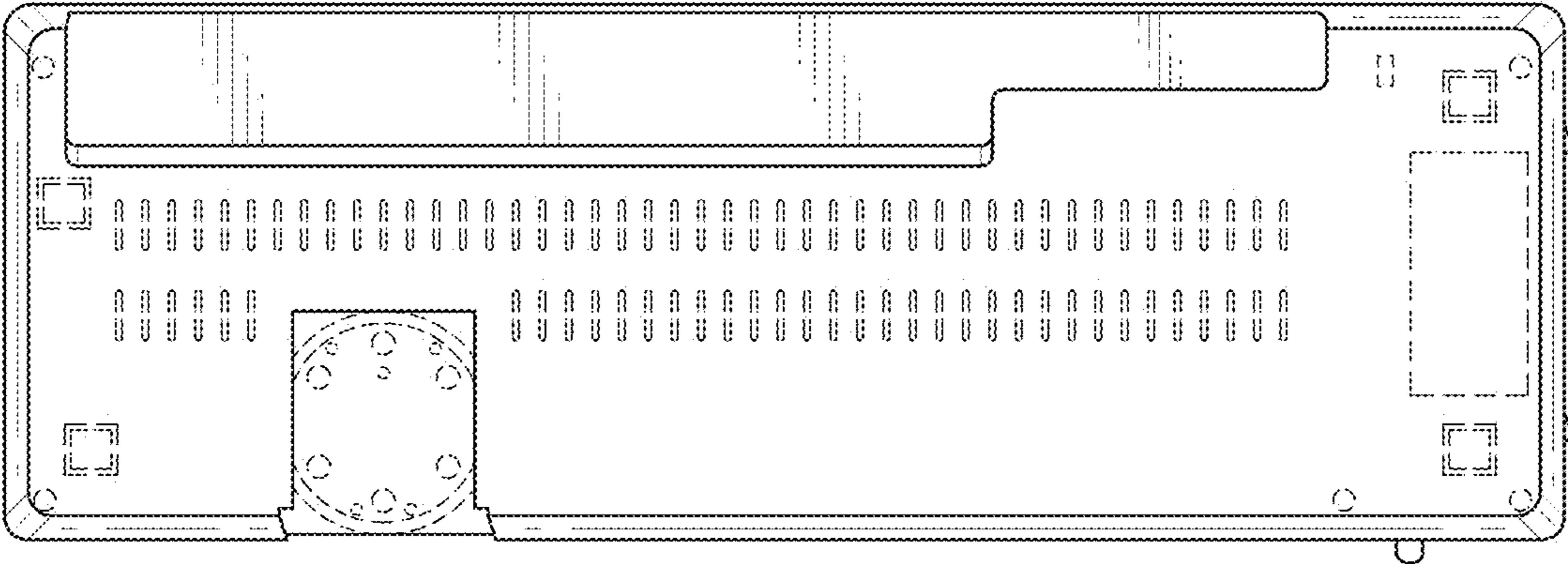


FIG. 7