



US00D957488S

(12) **United States Design Patent** (10) **Patent No.:** **US D957,488 S**
Longo (45) **Date of Patent:** **** Jul. 12, 2022**

(54) **CONTROL TABLE**
(71) Applicant: **BOBST MEX SA**, Mex (CH)
(72) Inventor: **Antonio Longo**, Prilly (CH)
(**) Term: **15 Years**
(21) Appl. No.: **35/512,566**
(22) Filed: **Mar. 11, 2021**

D323,437 S * 1/1992 Hashimoto D6/641
D334,181 S * 3/1993 Starkey D6/654.1
D340,229 S * 10/1993 Drabczyk D14/306
(Continued)

(80) **Hague Agreement Data**
Int. Filing Date: **Mar. 11, 2021**
Int. Reg. No.: **DM/213235**
Int. Reg. Date: **Mar. 11, 2021**
Int. Reg. Pub. Date: **Sep. 17, 2021**
(51) **LOC (13) Cl.** **15-10**
(52) **U.S. Cl.**
USPC **D15/145**
(58) **Field of Classification Search**
USPC D6/329, 641, 642, 655, 698, 699;
D13/163; D14/305, 306; D15/145
CPC A47B 2200/0078; A47B 83/001; A47B
21/007; A47B 2021/0076; A47B
2037/005; A47B 37/02; A47B 2200/0067;
A47B 2200/0073; A47B 2200/0075
See application file for complete search history.

OTHER PUBLICATIONS

“FaceBook—Beswick Machinery.” Found online May 7, 2022 at www.facebook.com. Postdated Jun. 22, 2021. Retrieved from URL: https://m.facebook.com/BeswickMachinery/photos/a.359793191457897/1093807401389802 (Year: 2021).*
(Continued)

Primary Examiner — Mary Ann Calabrese
Assistant Examiner — Katelin G Kloberg

(57) **CLAIM**
The ornamental design for a control table, as shown and described.

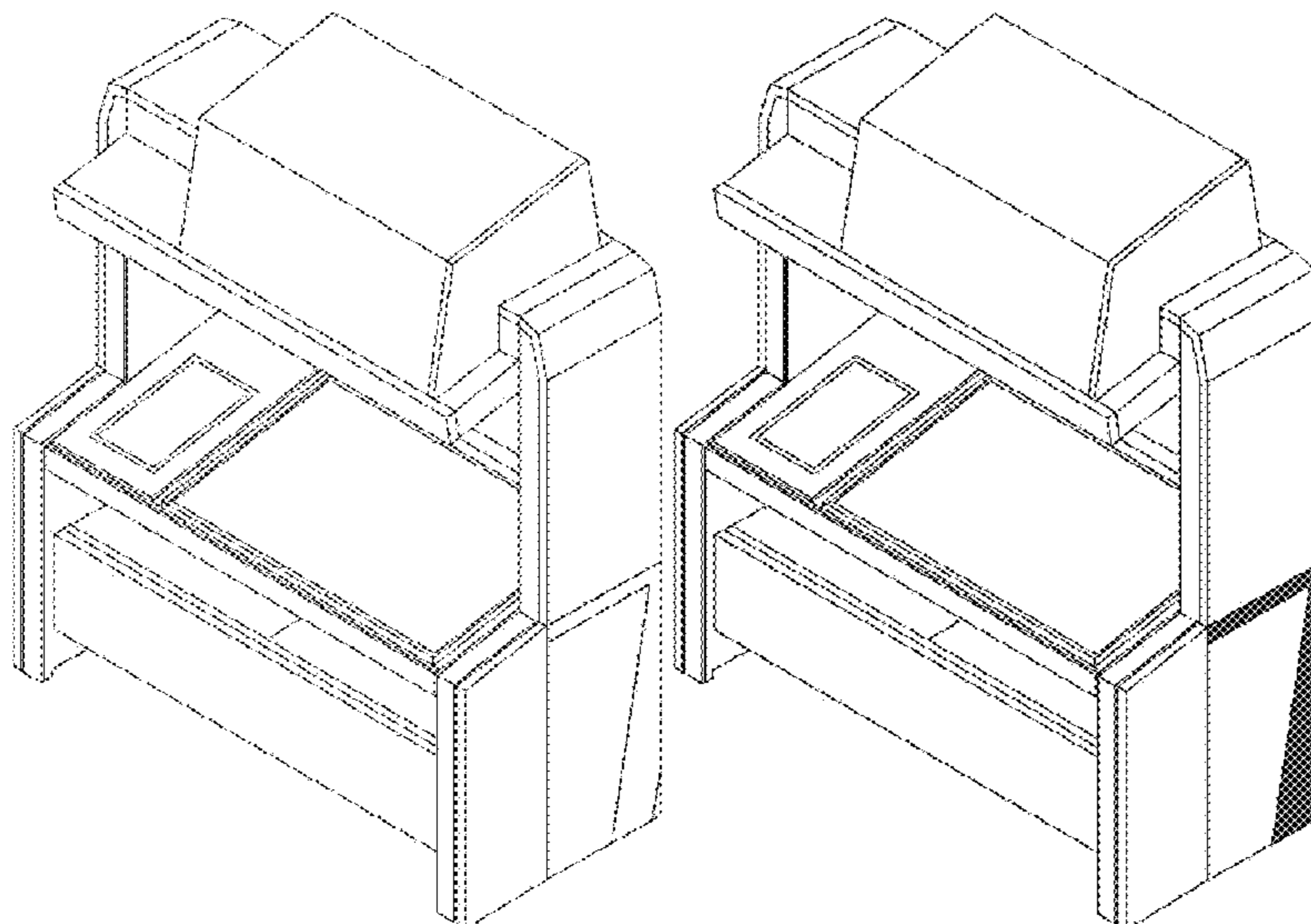
DESCRIPTION

The patent or application contains at least one drawing executed in color. Copies of this patent or patent application publication with color drawing(s) will be provided by the Office upon request and payment of the necessary fee.

- 1. Control table
- 2. Control table
- 1.1 : Perspective
- 1.2 : Perspective
- 1.3 : Front
- 1.4 : Back
- 1.5 : Top
- 1.6 : Left
- 1.7 : Right
- 2.1 : Perspective
- 2.2 : Perspective
- 2.3 : Front
- 2.4 : Back
- 2.5 : Top
- 2.6 : Left
- 2.7 : Right

(56) **References Cited**
U.S. PATENT DOCUMENTS
D184,063 S * 12/1958 Moore D14/304
D203,048 S * 11/1965 Pastoric D14/306
D207,103 S * 3/1967 Muniz D6/699
D250,239 S * 11/1978 Pool D6/699
D258,477 S * 3/1981 Pittman D6/699
D267,458 S * 1/1983 McKinnon D6/670
D282,421 S * 2/1986 Lewellen D6/642
D288,598 S * 3/1987 Moser D24/173
D298,530 S * 11/1988 Vogel D13/163
D303,048 S * 8/1989 Weese D6/642

1 Claim, 14 Drawing Sheets
(4 of 14 Drawing Sheet(s) Filed in Color)



(56)

References Cited

U.S. PATENT DOCUMENTS

D464,498 S * 10/2002 Riga D6/699
D919,682 S * 5/2021 Longo D15/145
D921,729 S * 6/2021 Longo D15/145
D941,613 S * 1/2022 Millar D6/672
D949,217 S * 4/2022 Srivastava D15/199

OTHER PUBLICATIONS

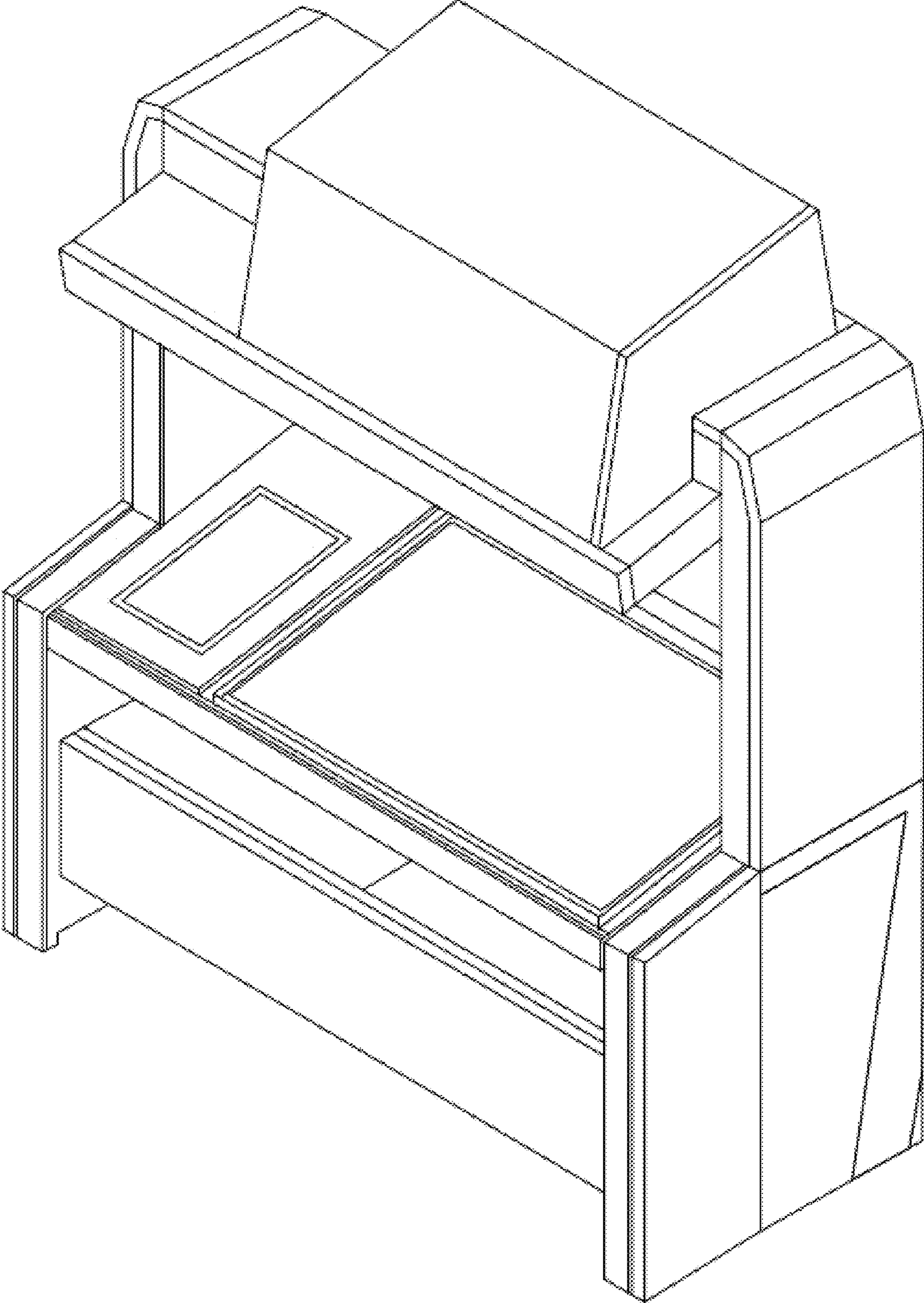
“2021 FIAUK Awards.” Found online May 7, 2022 at www.fiauk.co.uk. Document dated Nov. 4, 2021. Retrieved from URL: <https://fiauk.co.uk/wp-content/uploads/2022/01/FIA-2021-Awards-Brochure-web.pdf> (Year: 2021).*

“Ancillaries—Packaging Machinery from Eurograv.” Found online May 7, 2022 at www.eurograv.com. Page archived Mar. 27, 2016. Retrieved from URL: <https://web.archive.org/web/20160327005207/http://www.eurograv.com/ancillaries.aspx> (Year: 2016).*

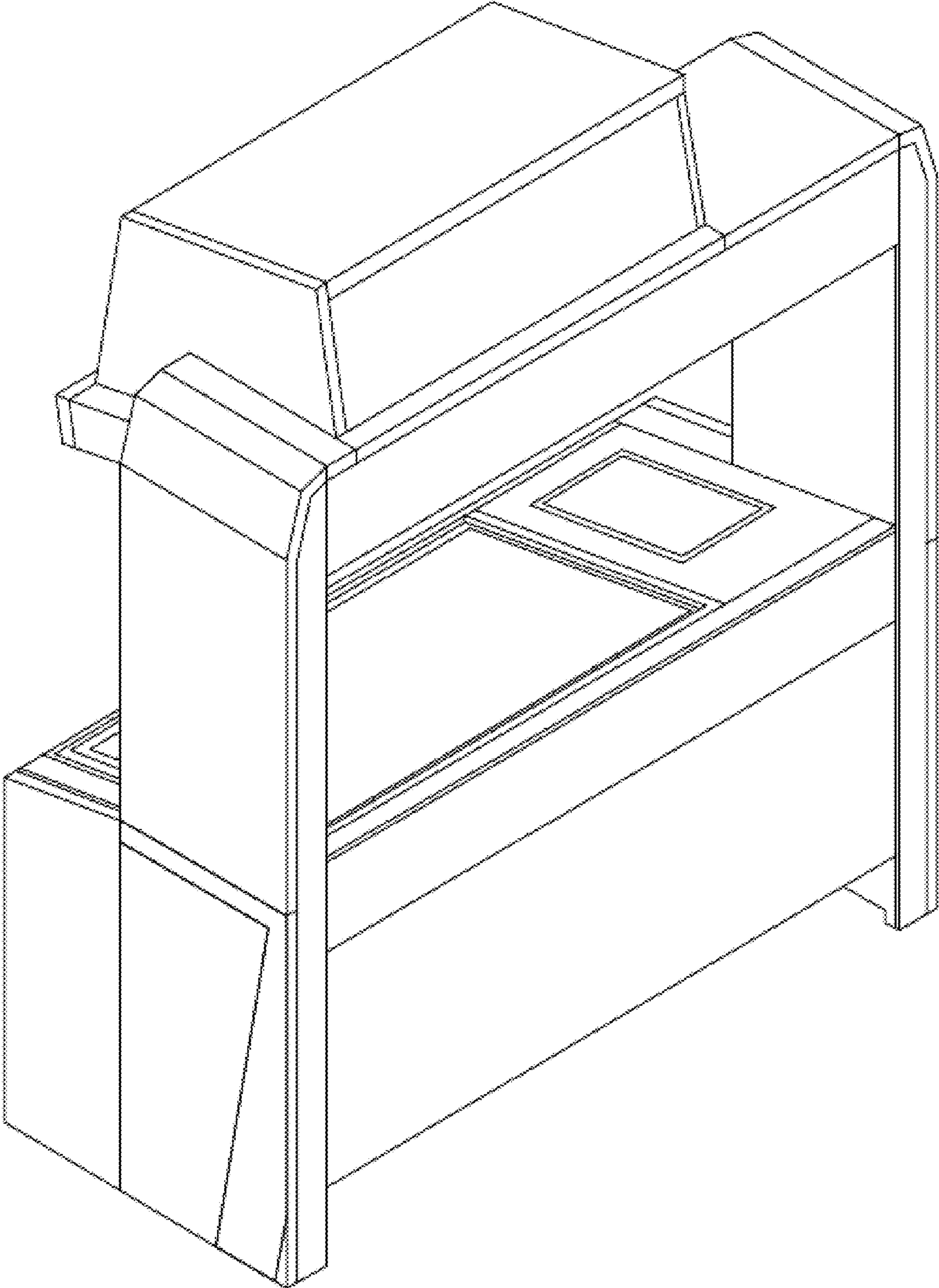
“Purchasing Light Tables—Things To Consider.” Found online May 7, 2022 at www.rdm-ind.com. Page dated Oct. 15, 2020. Retrieved from URL: <https://www.rdm-ind.com/things-to-consider-when-purchasing-light-tables/> (Year: 2020).*

* cited by examiner

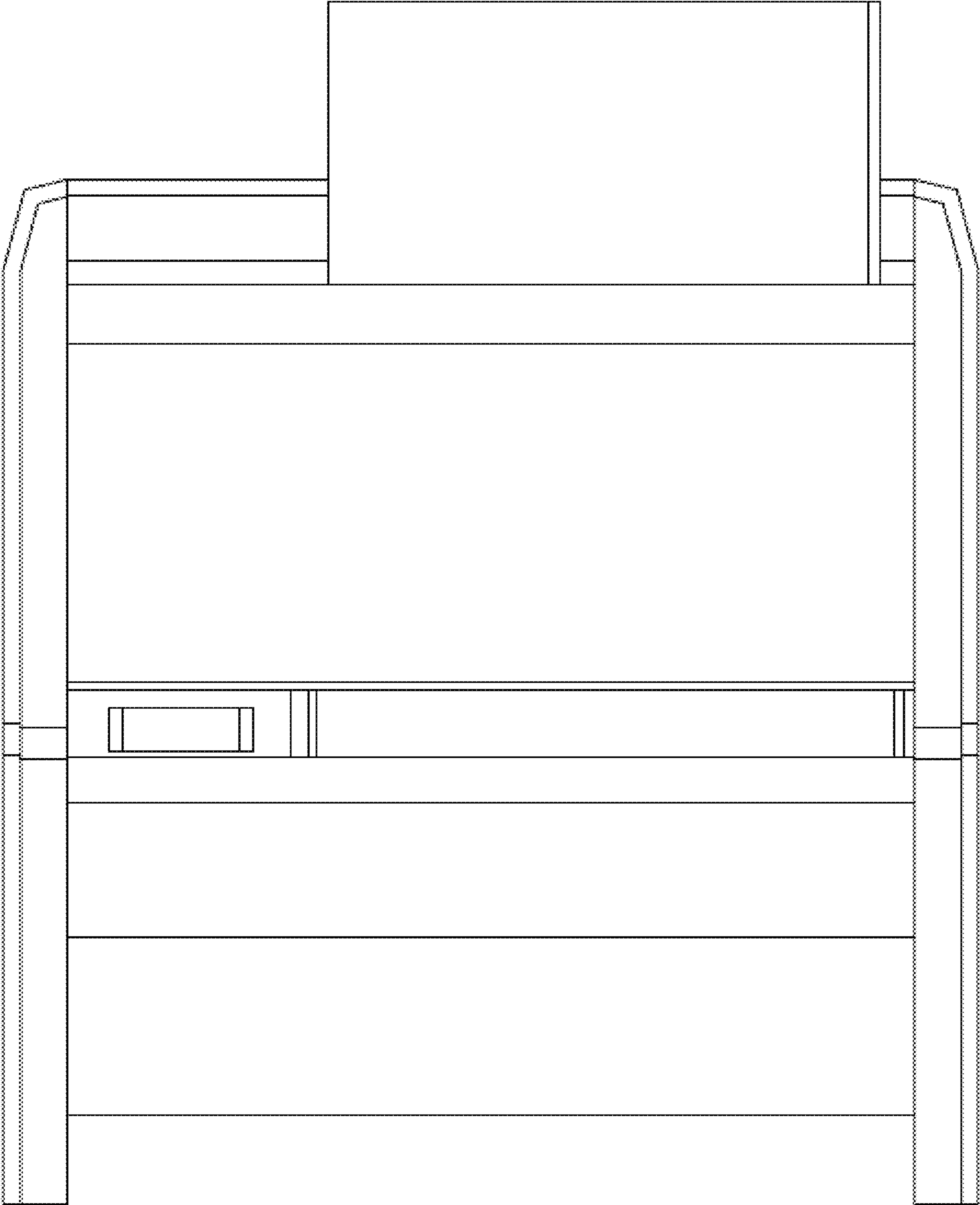
1.1



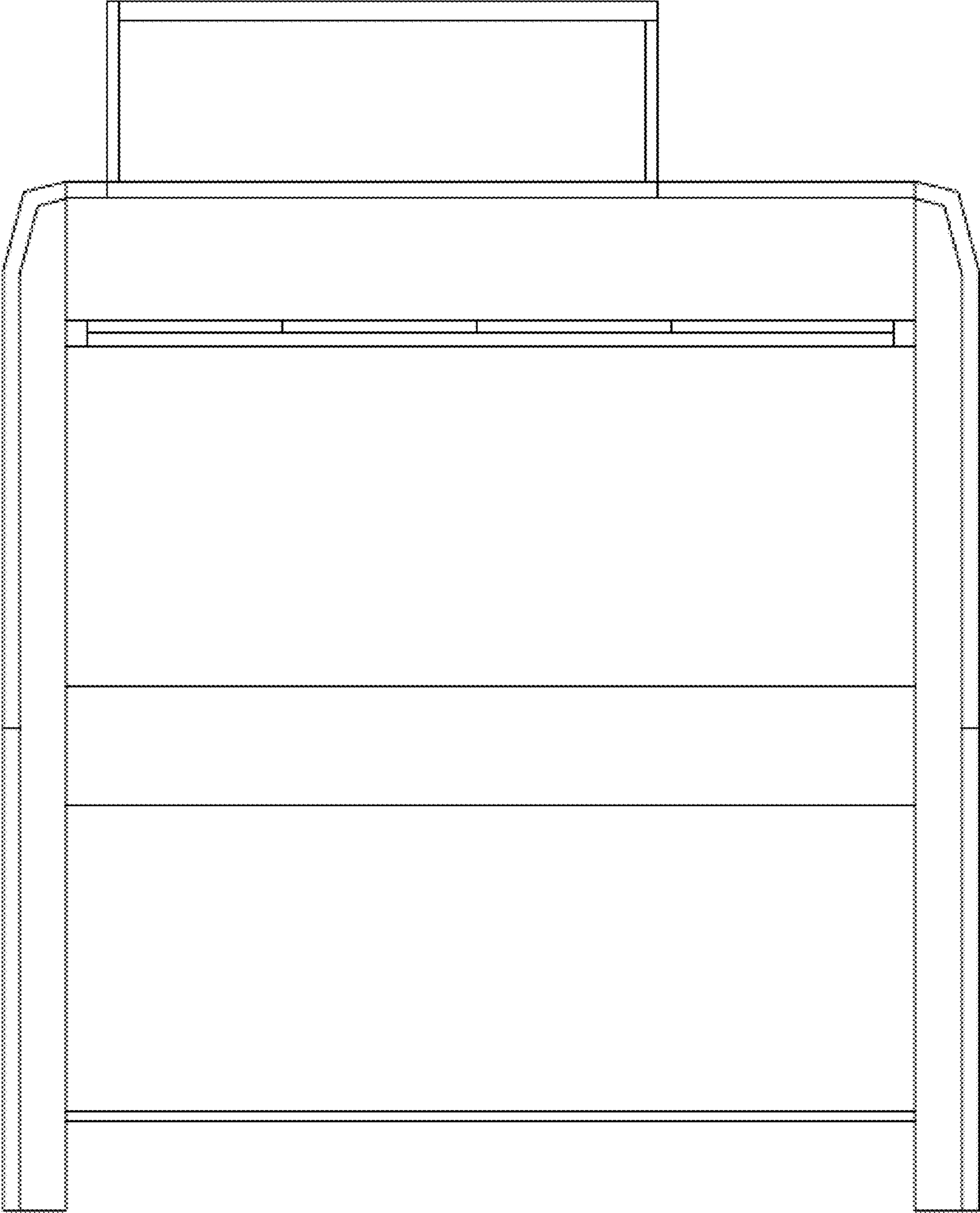
1.2



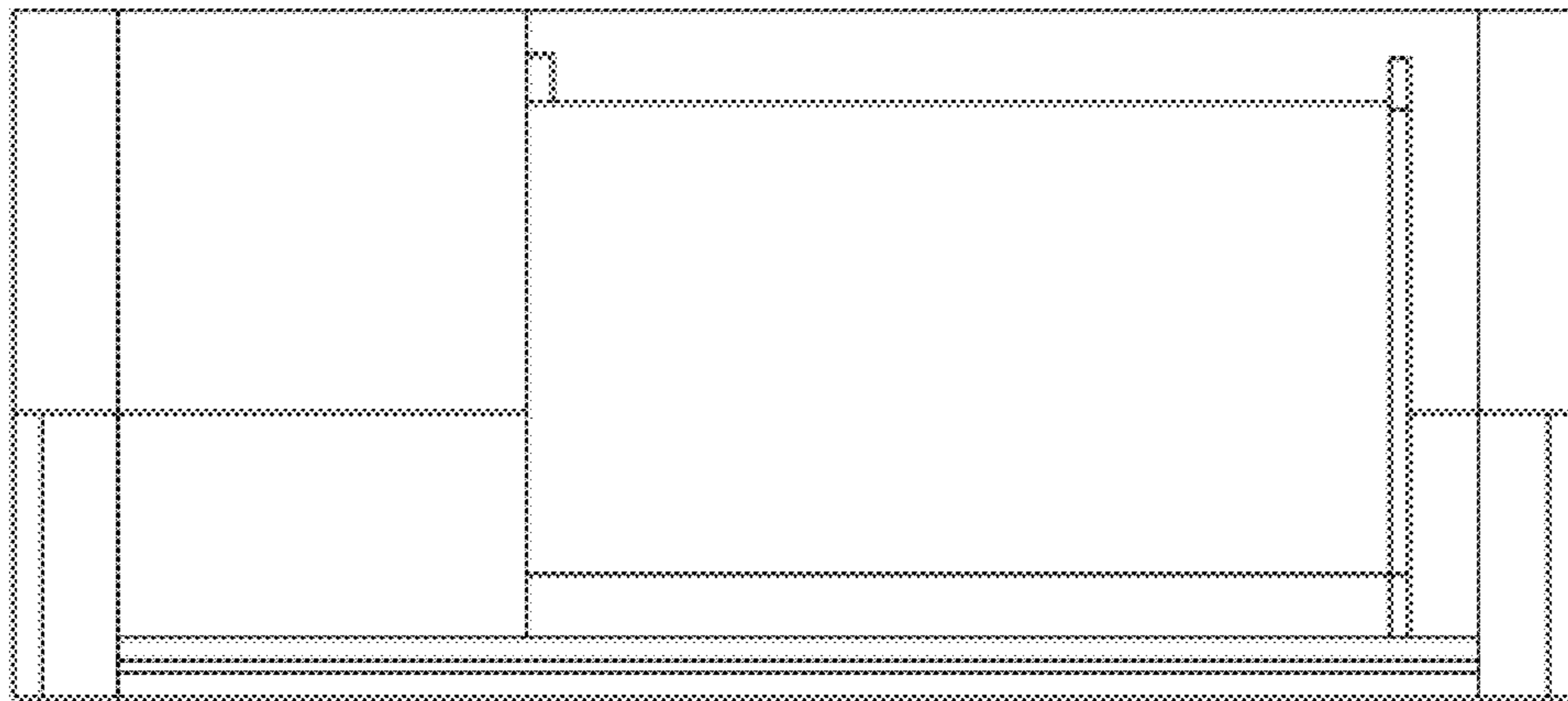
1.3



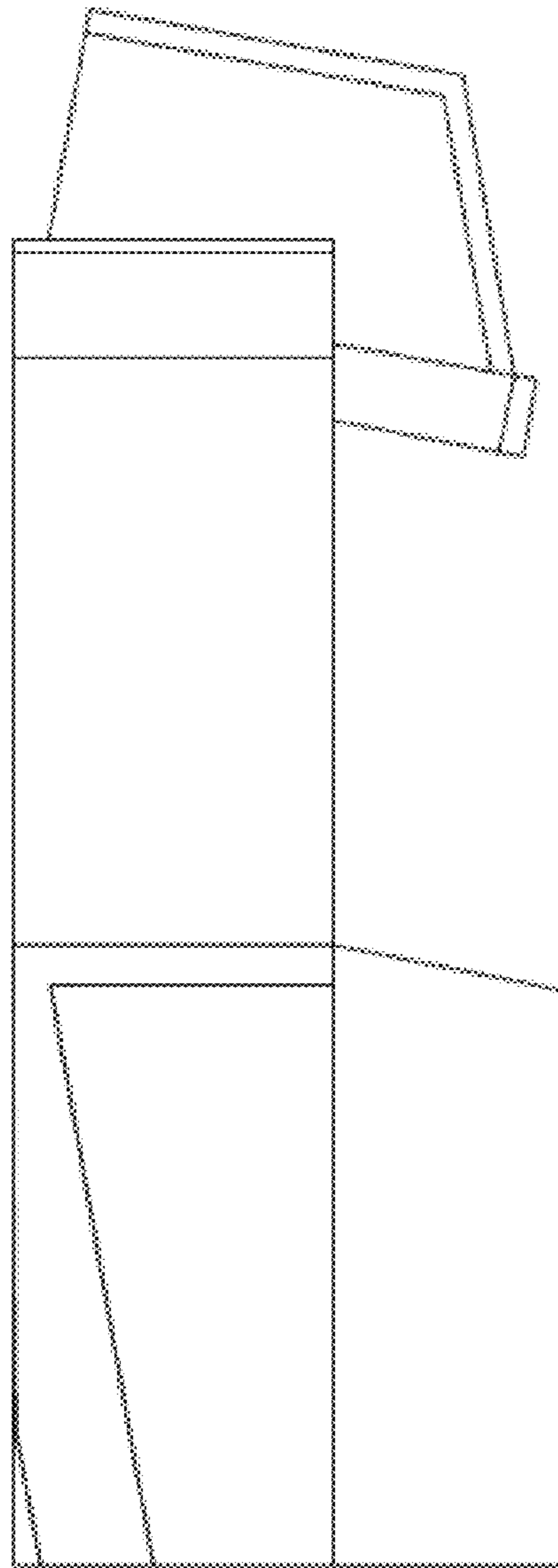
1.4



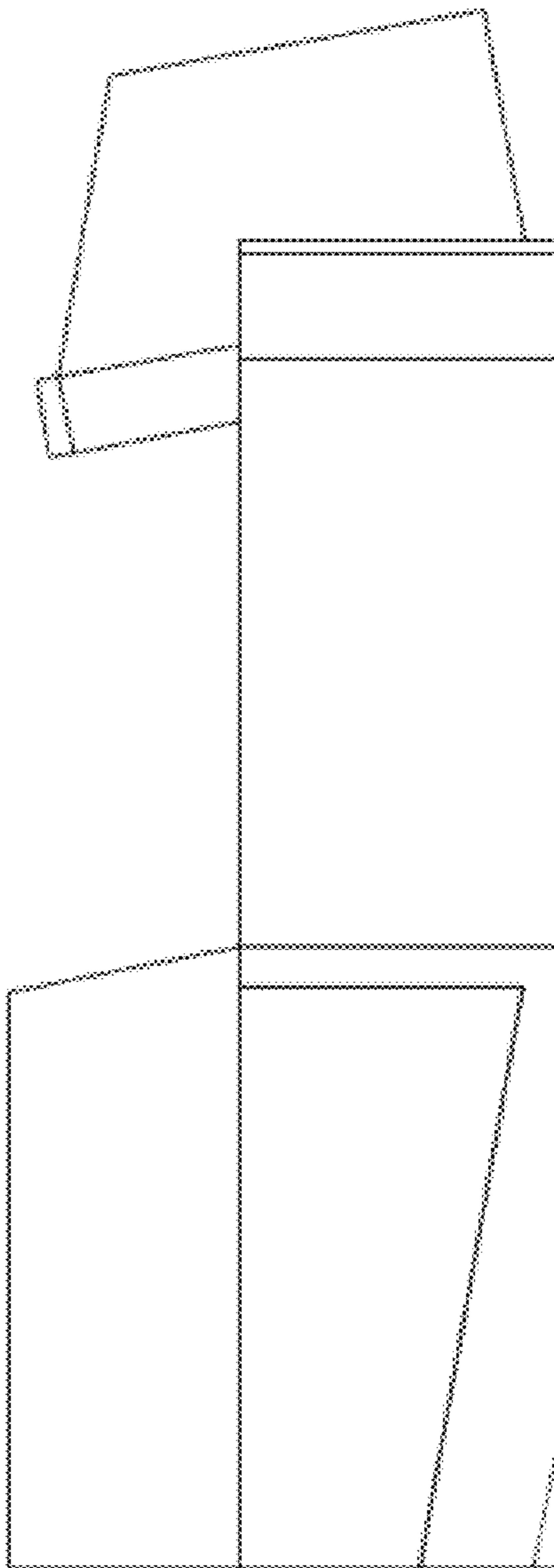
1.5



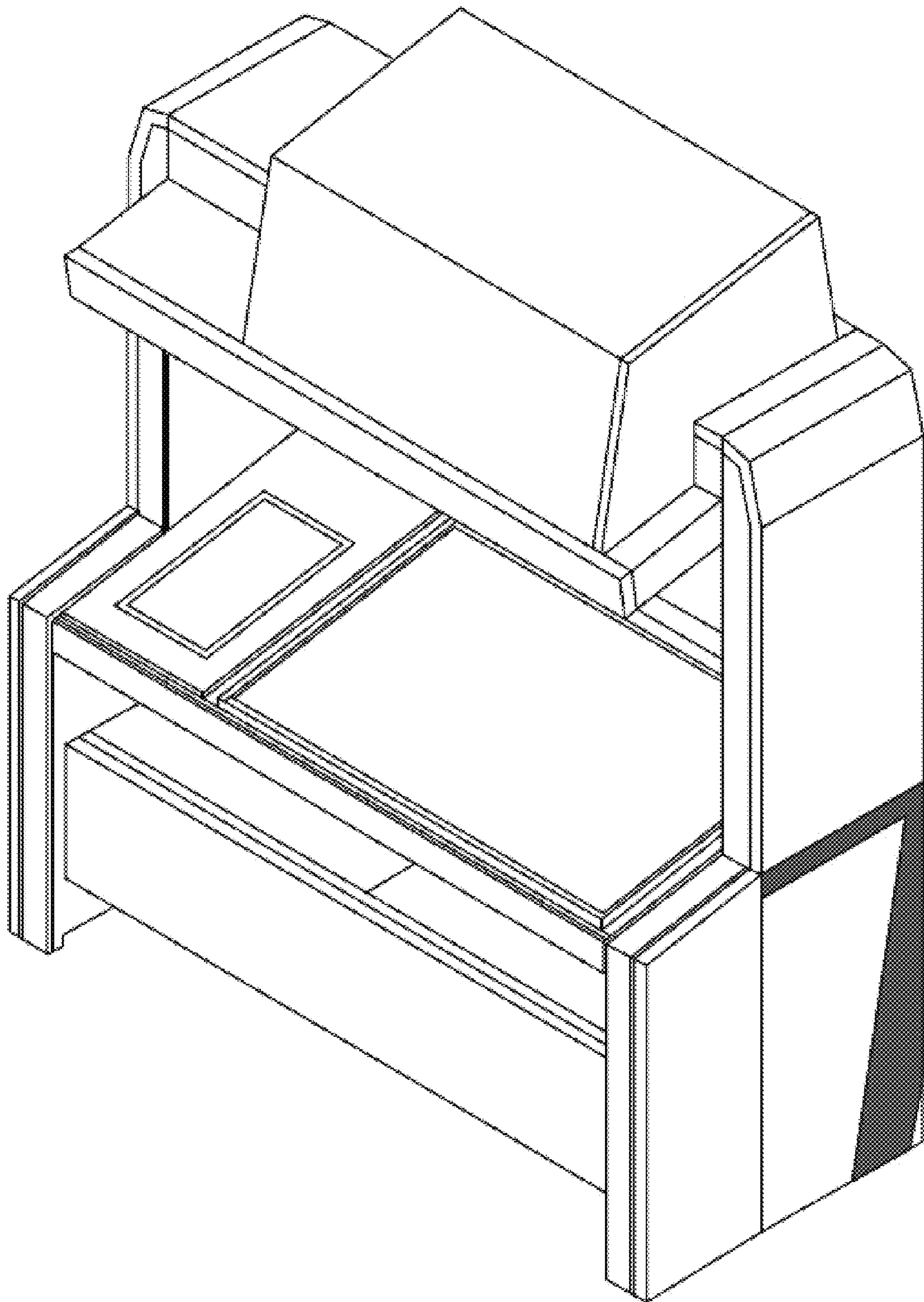
1.6



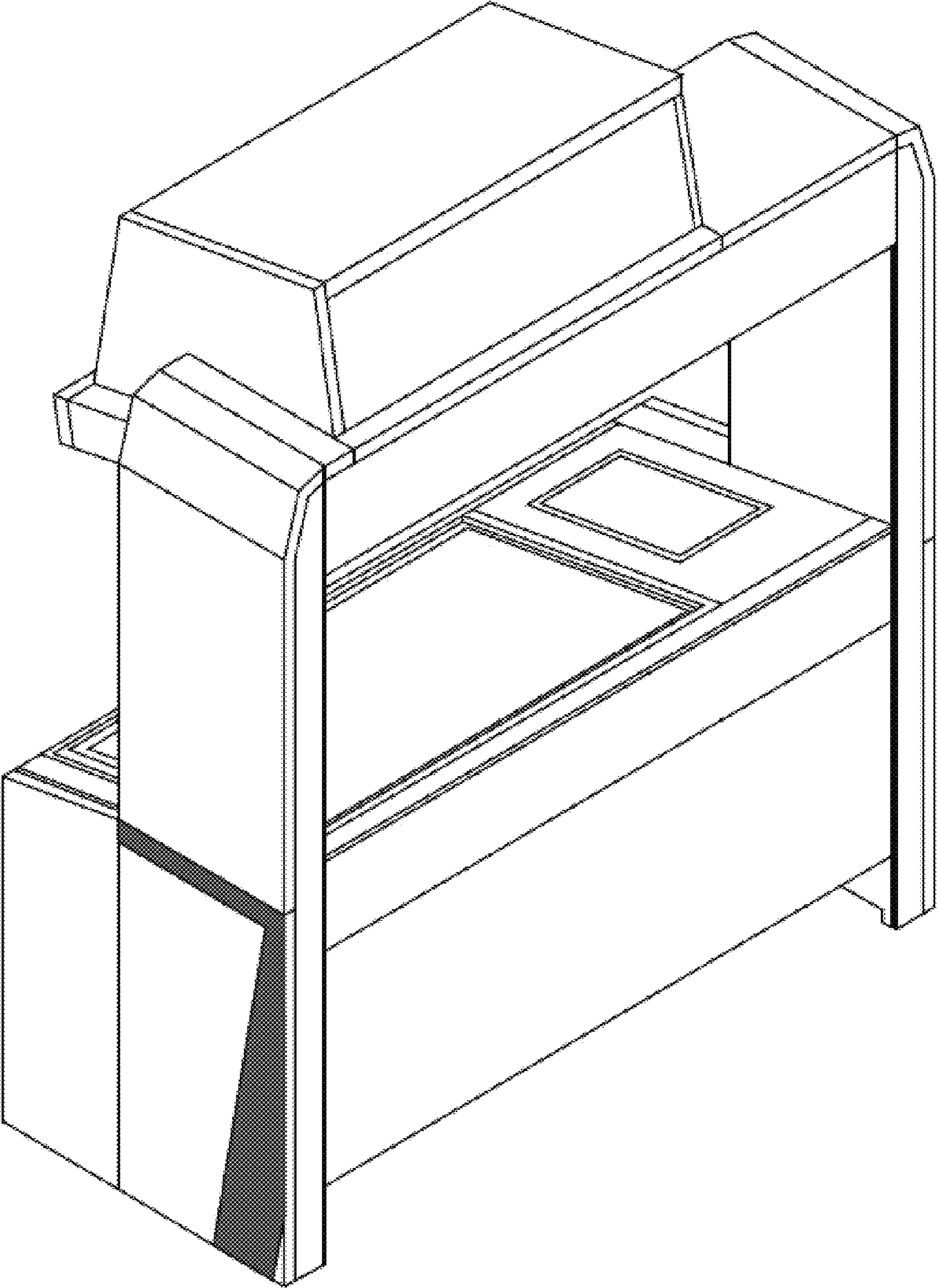
1.7



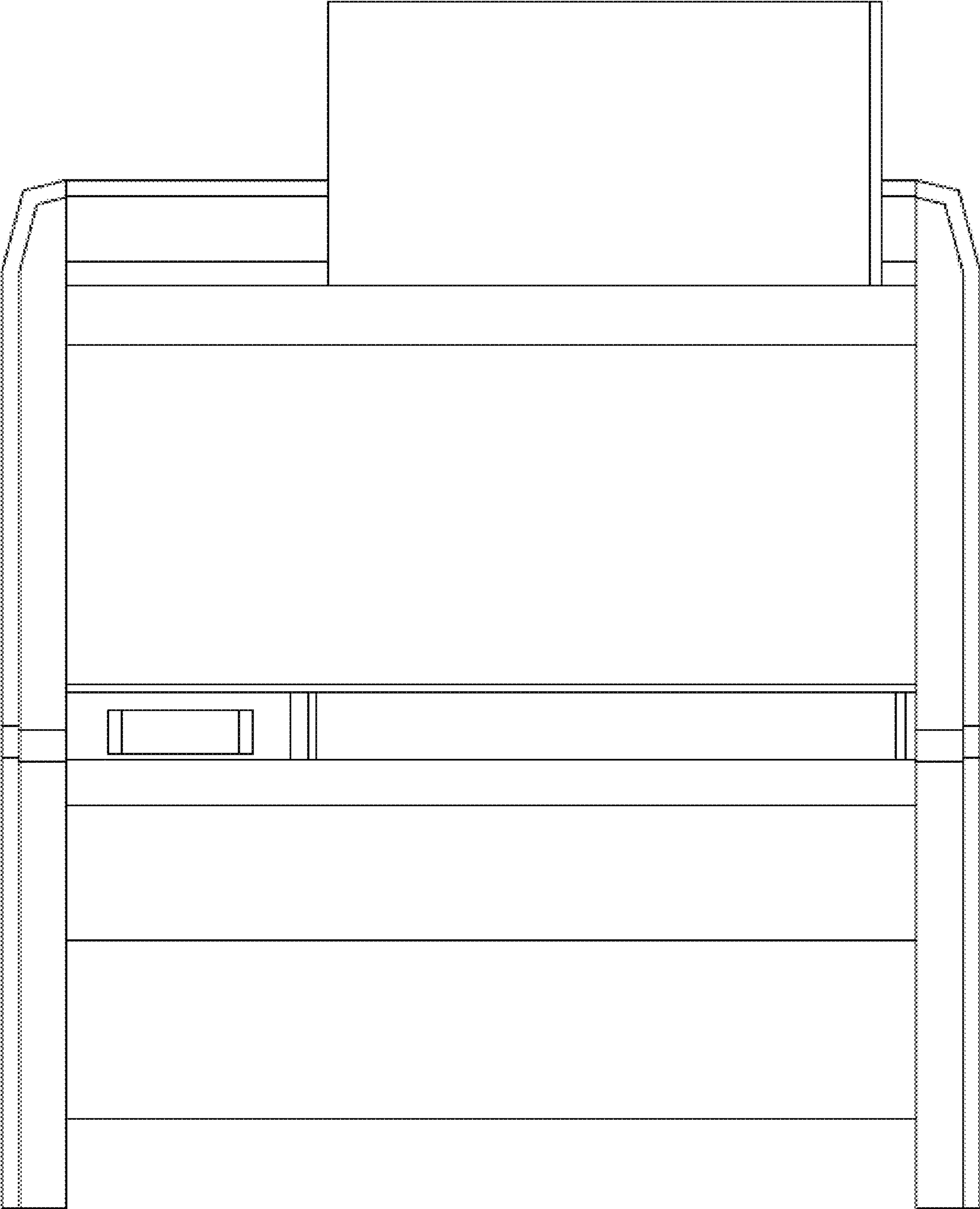
2.1



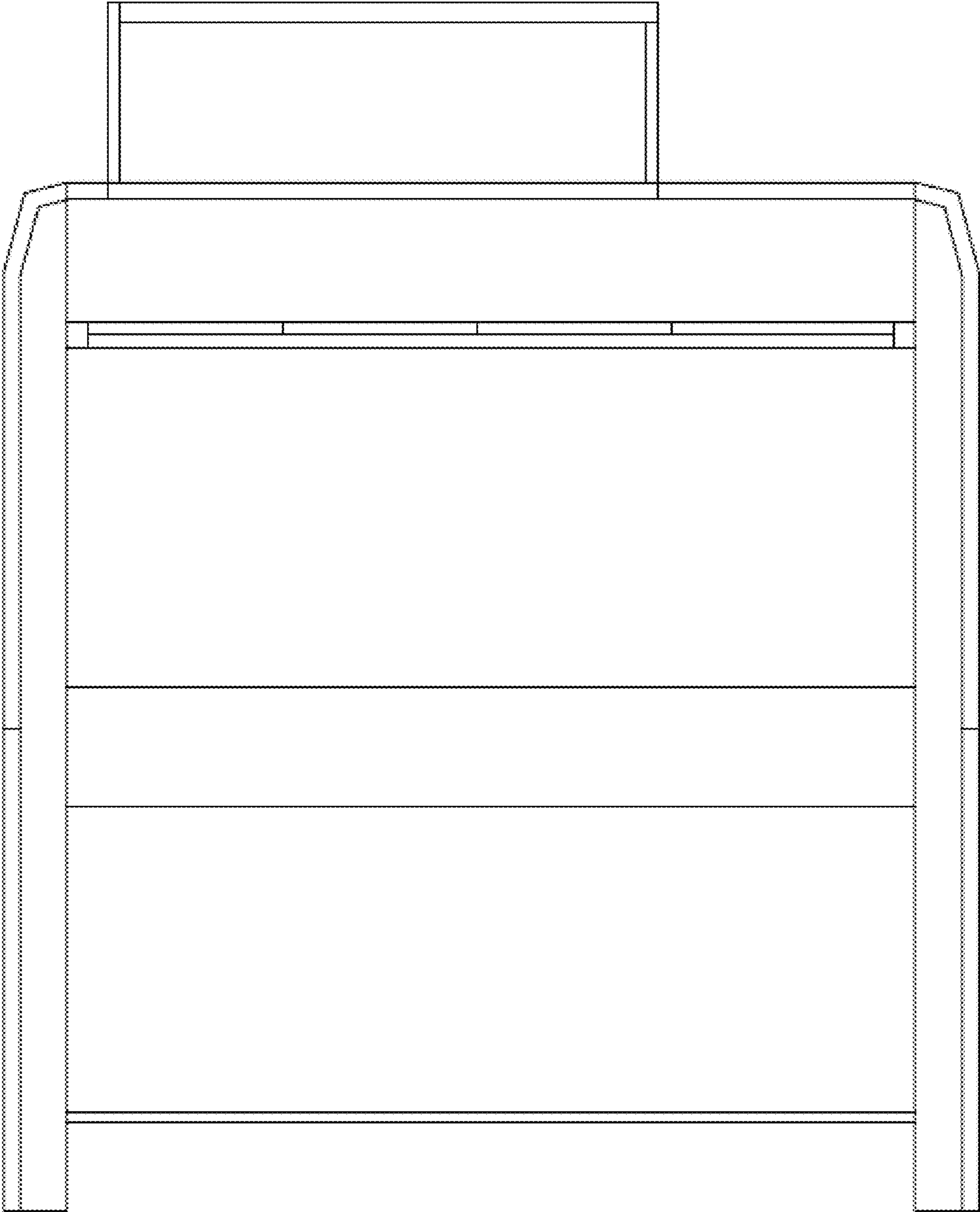
2.2



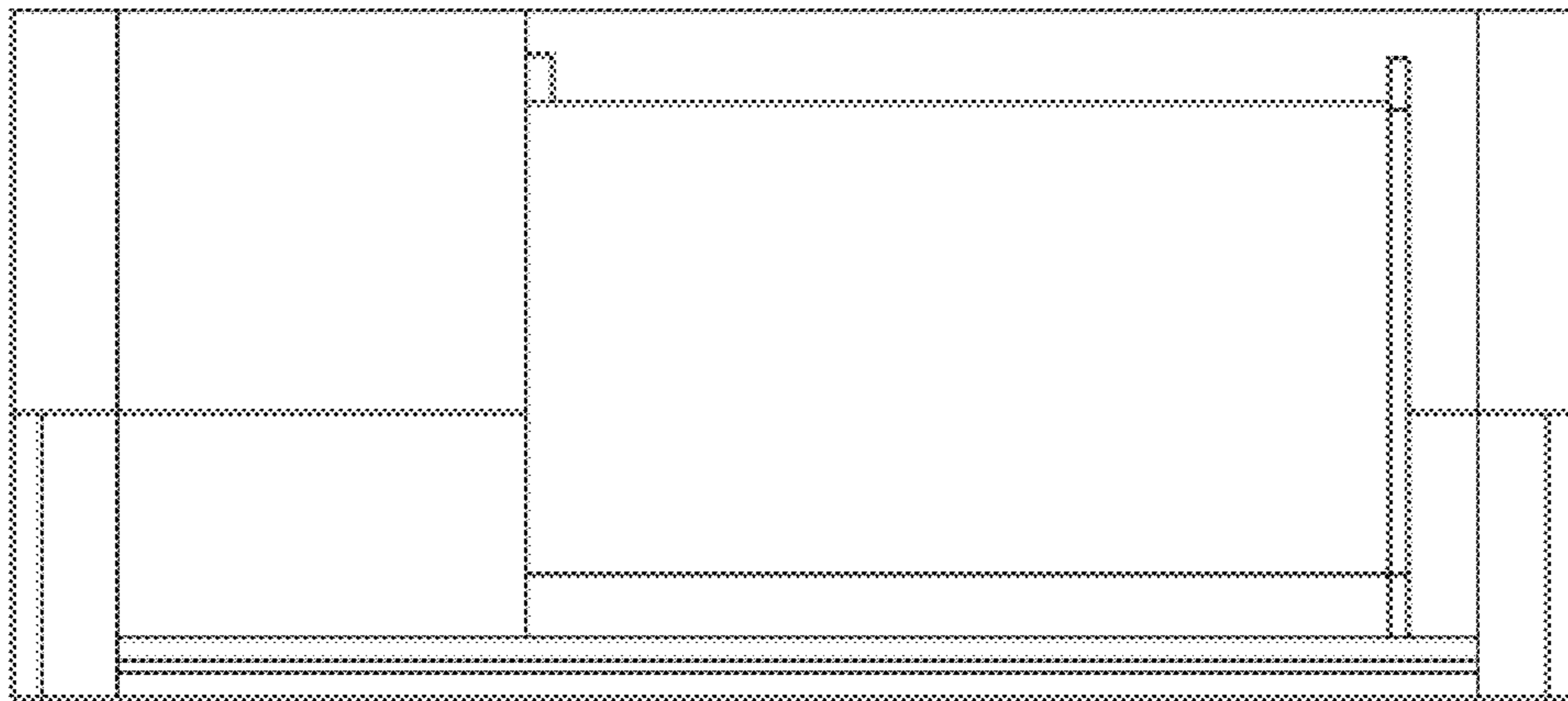
2.3



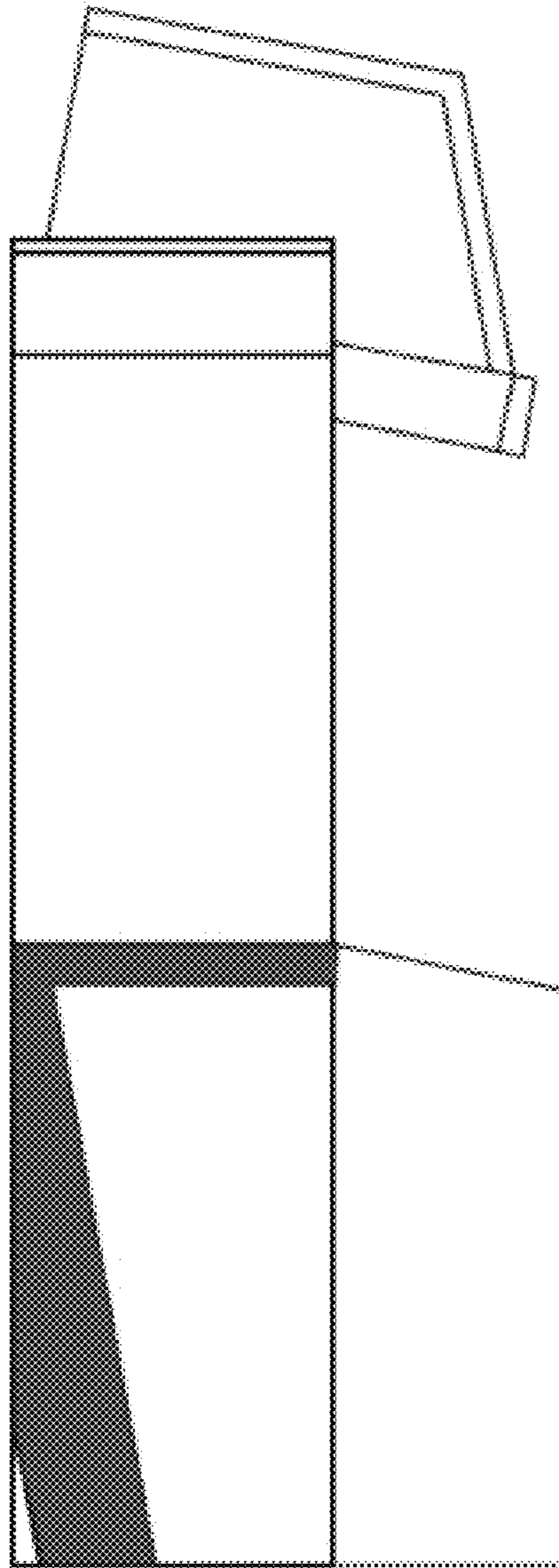
2.4



2.5



2.6



2.7

